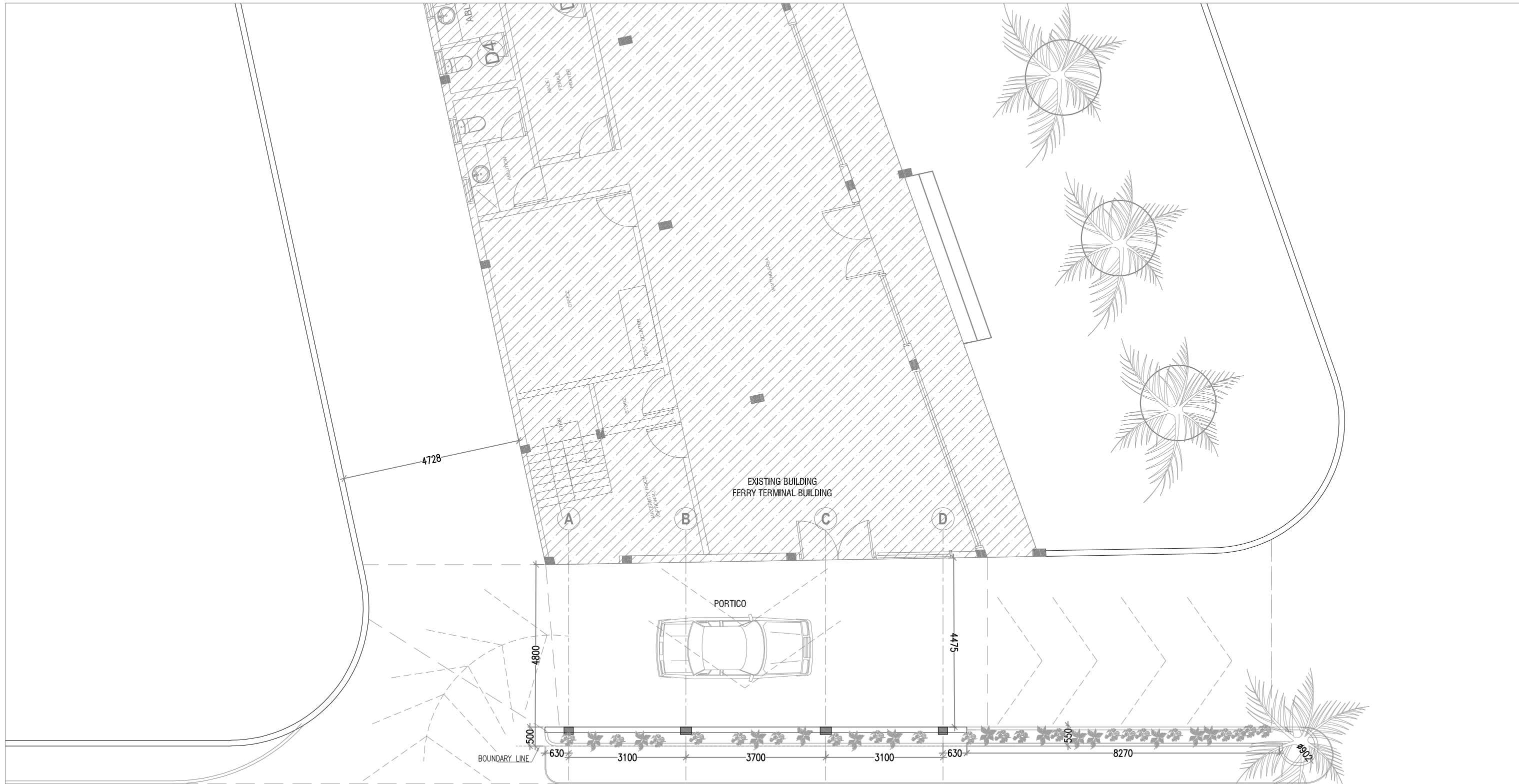


PROJECT:

PROPOSED
FERRY TERMINAL PORTICO
@ B. EYDHAFUSHI

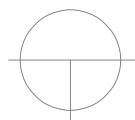
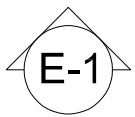
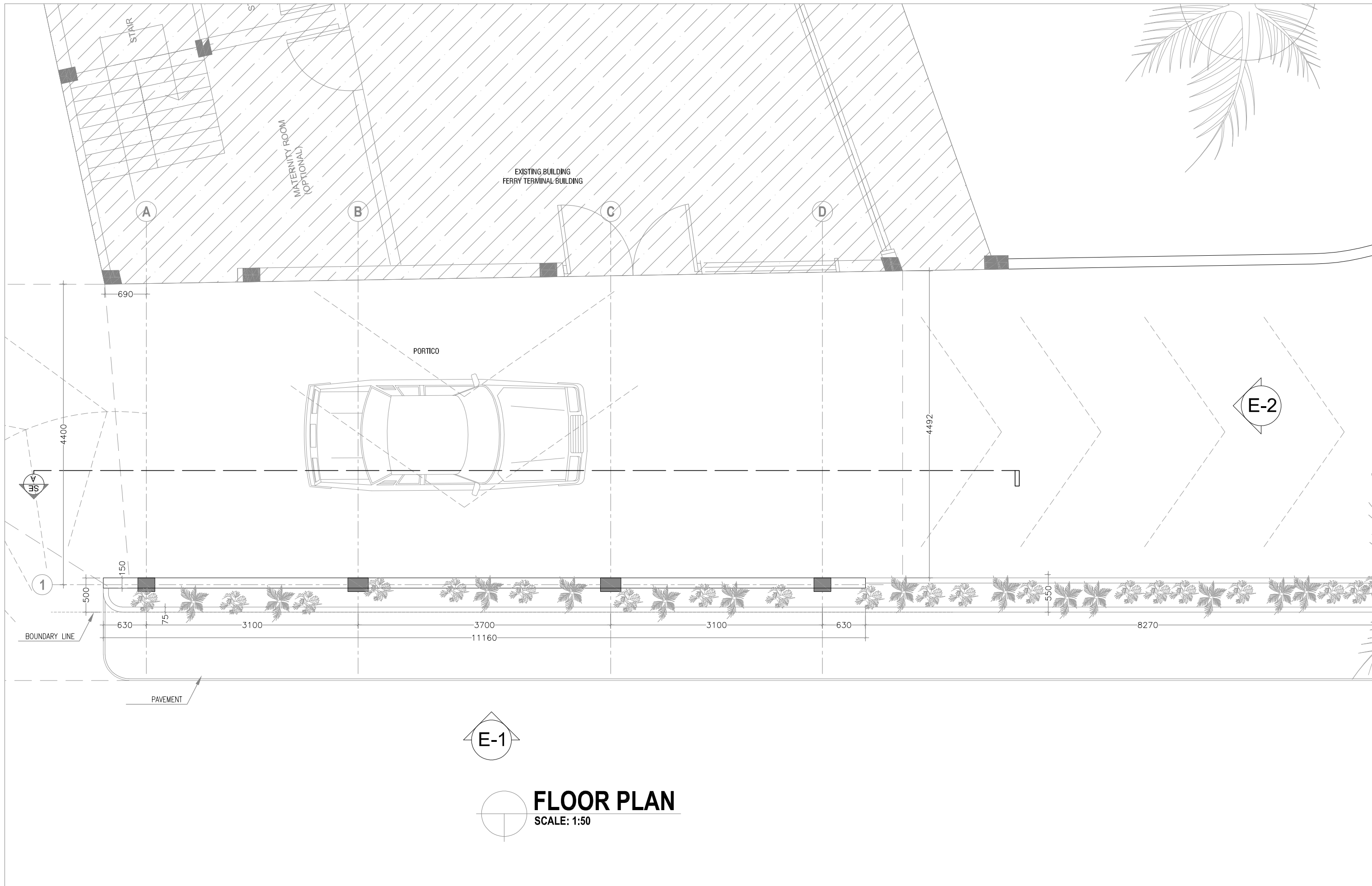
CLIENT: B. EYDHAFUSHI COUNCIL

AUGUST 2023




SITE PLAN
 SCALE: 1:100

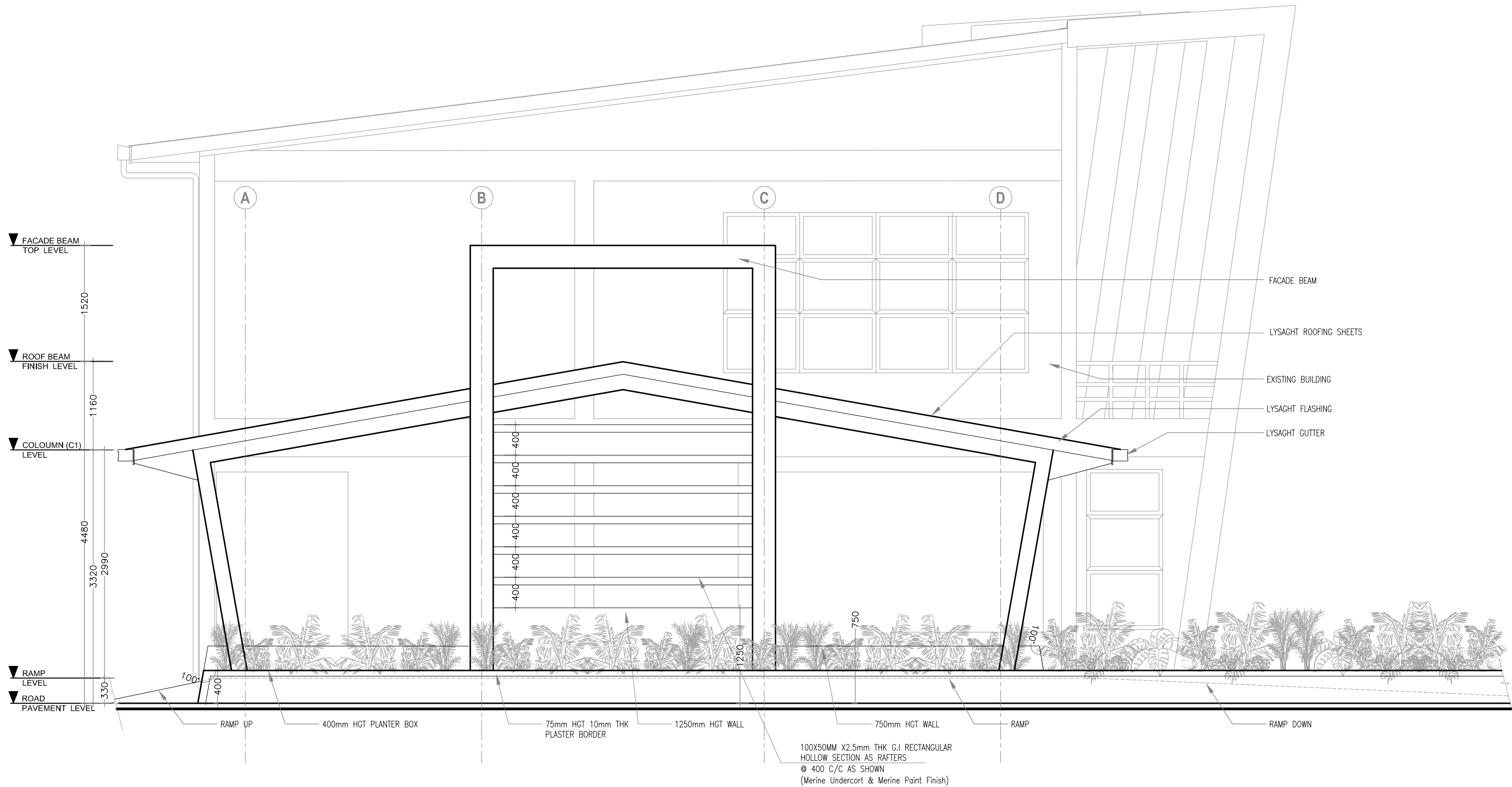
PROJECT: FERRY TERMINAL PORICO B. EYDHAFUSHI	DESIGNED BY:	MOHAMED NAUSHAD
	ENGINEER:
CLIENT: B. EYDHAFUSHI COUNCIL	ARCHITECT:	MOHAMED NAUSHAD
	ENGINEER CHECKER:	AHSAN
	ARCH CHECKER:
	DATE: AUGUST 2023	PRINT: A3
	REV:	



FLOOR PLAN

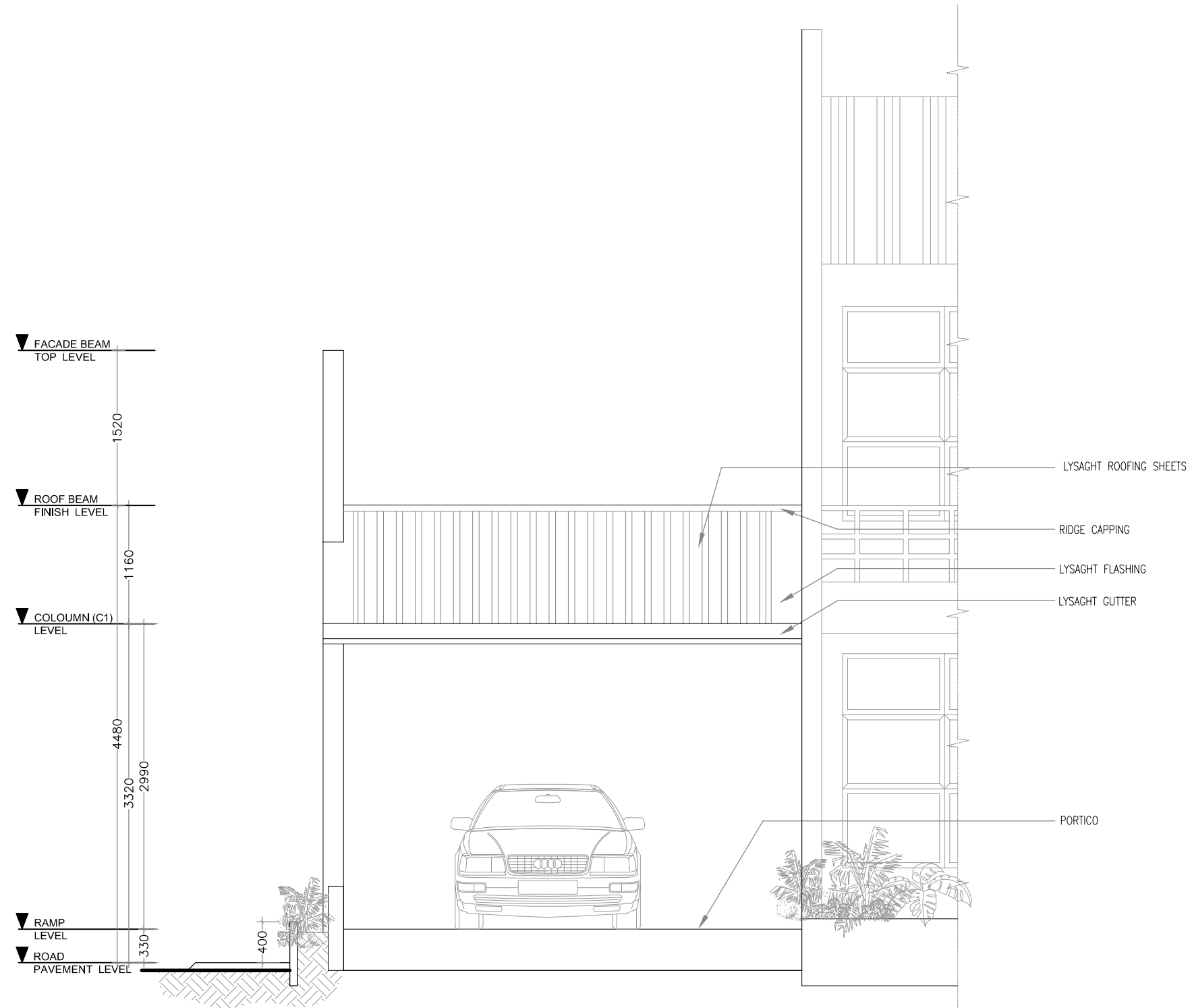
SCALE: 1:50

PROJECT: FERRY TERMINAL PORICO B. EYDHAFUSHI	DESIGNED BY:	MOHAMED NAUSHAD
	ENGINEER:
CLIENT: B. EYDHAFUSHI COUNCIL	ARCHITECT:	MOHAMED NAUSHAD
	ENGINEER CHECKER:	AHSAN
	ARCH CHECKER:
	DATE: AUGUST 2023	PRINT: A3
	REV:	



ELEVATION (E1)
SCALE: 1:50

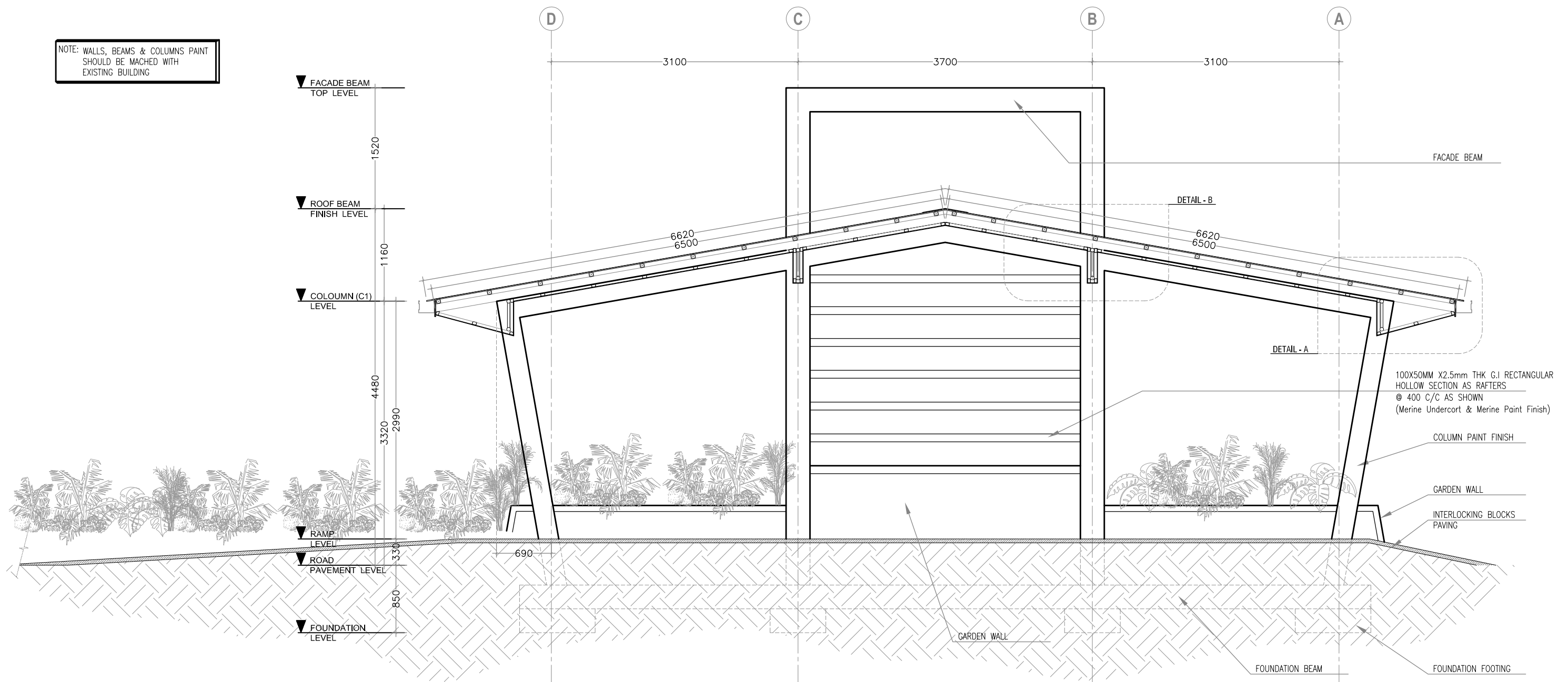
PROJECT: FERRY TERMINAL PORICO B. EYDHAFUSHI	DESIGNED BY:	MOHAMED NAUSHAD
	ENGINEER:
CLIENT: B. EYDHAFUSHI COUNCIL	ARCHITECT:	MOHAMED NAUSHAD
	ENGINEER CHECKER:	AHSAN
	ARCH CHECKER:
	DATE: AUGUST 2023	PRINT: A3
	REV:	



ELEVATION (E2)
SCALE: 1:50

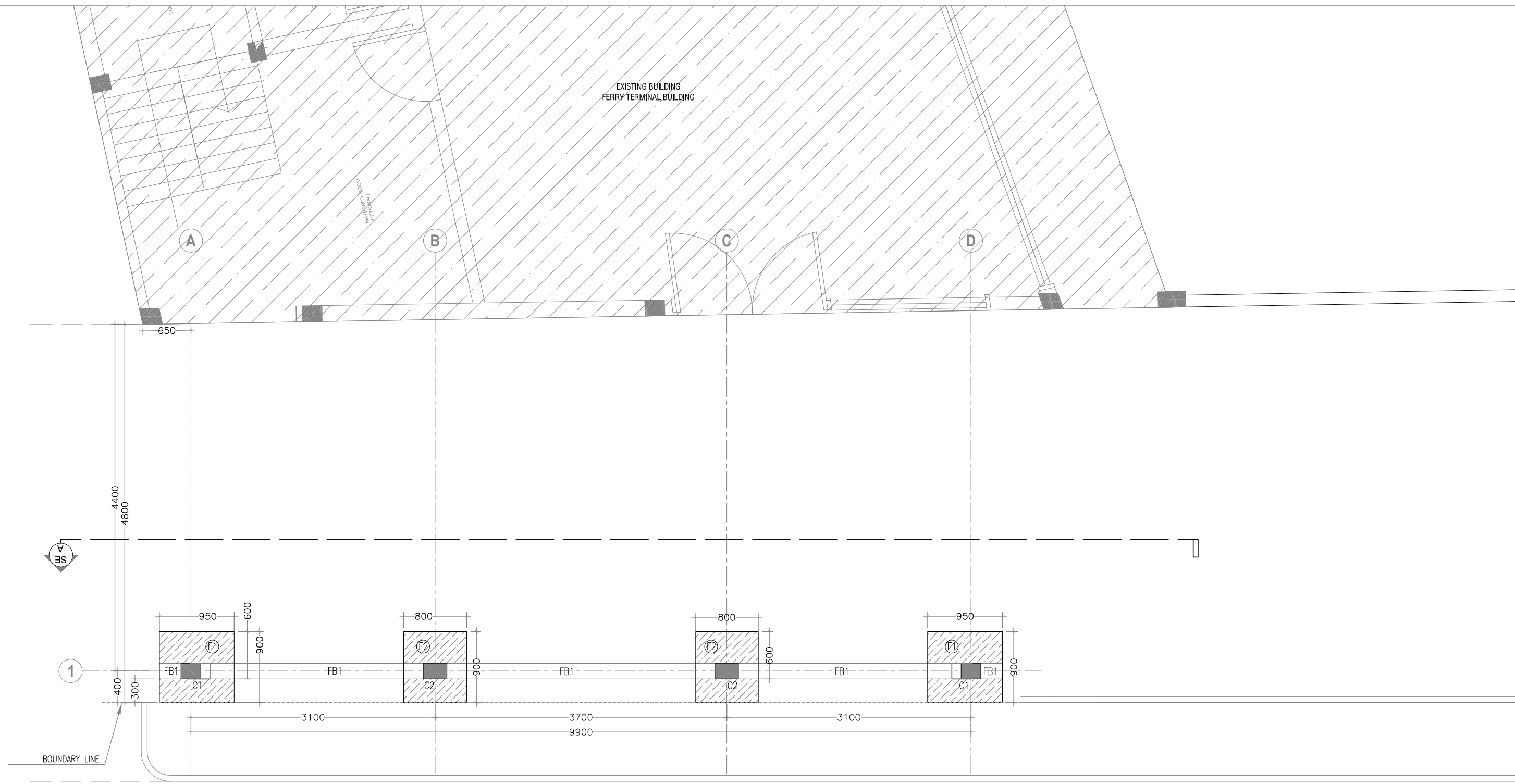
PROJECT: FERRY TERMINAL PORICO B. EYDHAFUSHI	DESIGNED BY: MOHAMED NAUSHAD ENGINEER:	ARCHITECT: MOHAMED NAUSHAD ENGINEER CHECKER: AHSAN ARCH CHECKER:
CLIENT: B. EYDHAFUSHI COUNCIL	DATE: AUGUST 2023 REV:	PRINT: A3

NOTE: WALLS, BEAMS & COLUMNS PAINT SHOULD BE MATCHED WITH EXISTING BUILDING



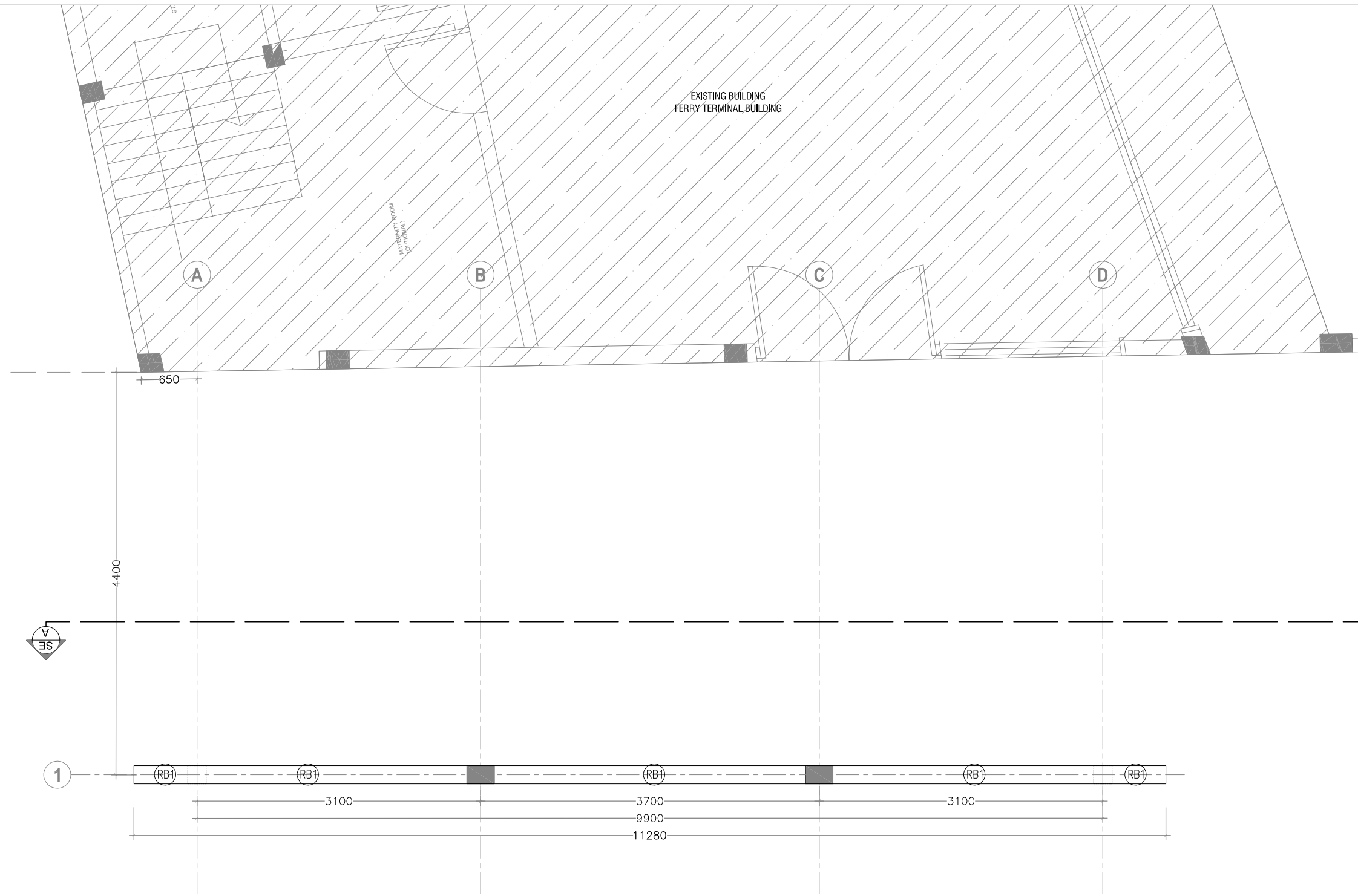
SECTION - A
SCALE: 1:50

PROJECT: FERRY TERMINAL PORICO B. EYDHAFUSHI	DESIGNED BY: MOHAMED NAUSHAD ENGINEER:	ARCHITECT: MOHAMED NAUSHAD ENGINEER CHECKER: AHSAN ARCH CHECKER:
CLIENT: B. EYDHAFUSHI COUNCIL	DATE: AUGUST 2023 REV:	PRINT: A3



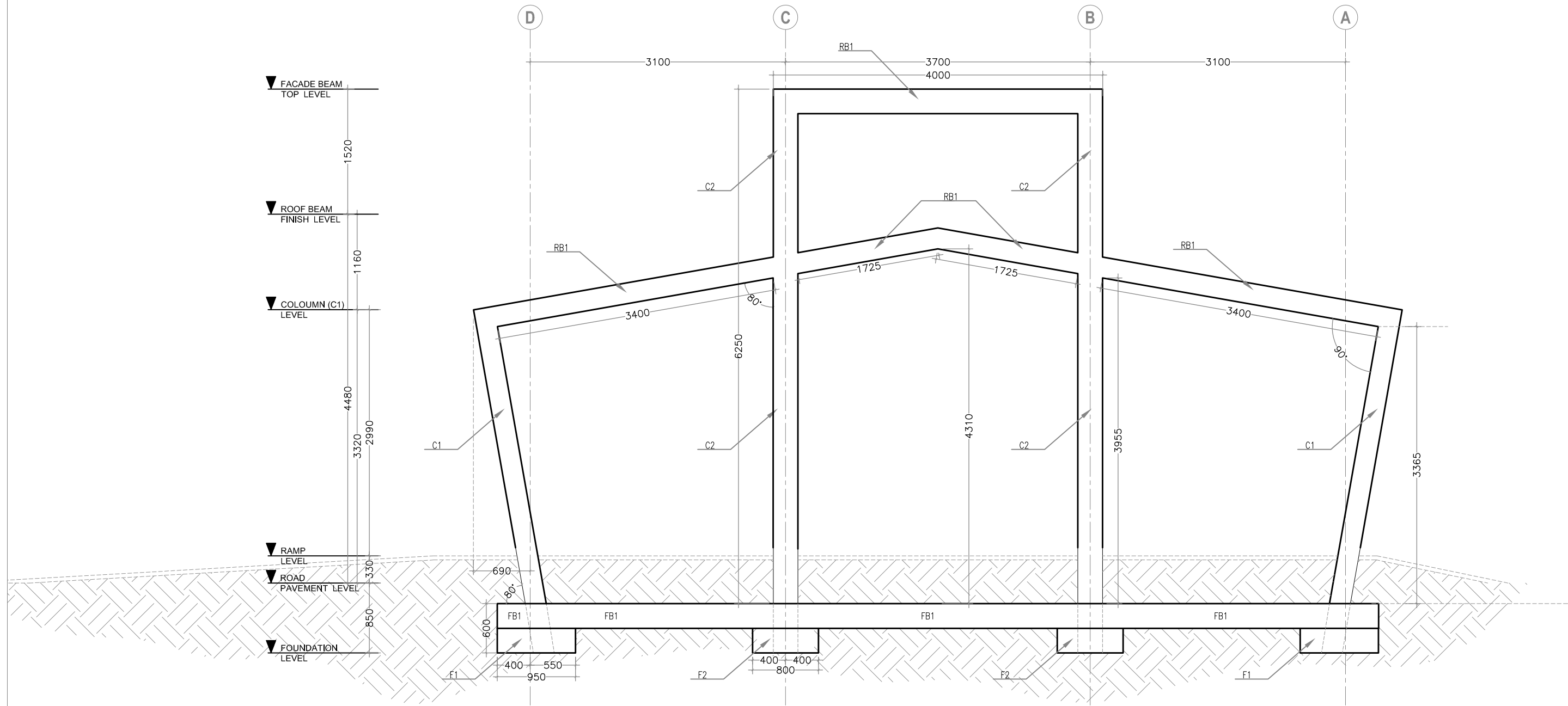
FOUNDATION PLAN
SCALE: 1:50

PROJECT: FERRY TERMINAL PORICO B. EYDHAFUSHI	DESIGNED BY: MOHAMED NAUSHAD ENGINEER:	ARCHITECT: MOHAMED NAUSHAD ENGINEER CHECKER: AHSAN ARCH CHECKER:
CLIENT: B. EYDHAFUSHI COUNCIL	DATE: AUGUST 2023 REV:	PRINT: A3



○
ROOF BEAM PLAN
 SCALE: 1:50

PROJECT: FERRY TERMINAL PORICO B. EYDHAFUSHI	DESIGNED BY: MOHAMED NAUSHAD ENGINEER: ARCHITECT: MOHAMED NAUSHAD ENGINEER CHECKER: AHSAN ARCH CHECKER:	DATE: AUGUST 2023 REV:
CLIENT: B. EYDHAFUSHI COUNCIL	PRINT: A3	



STRUCTURAL ELEVATION

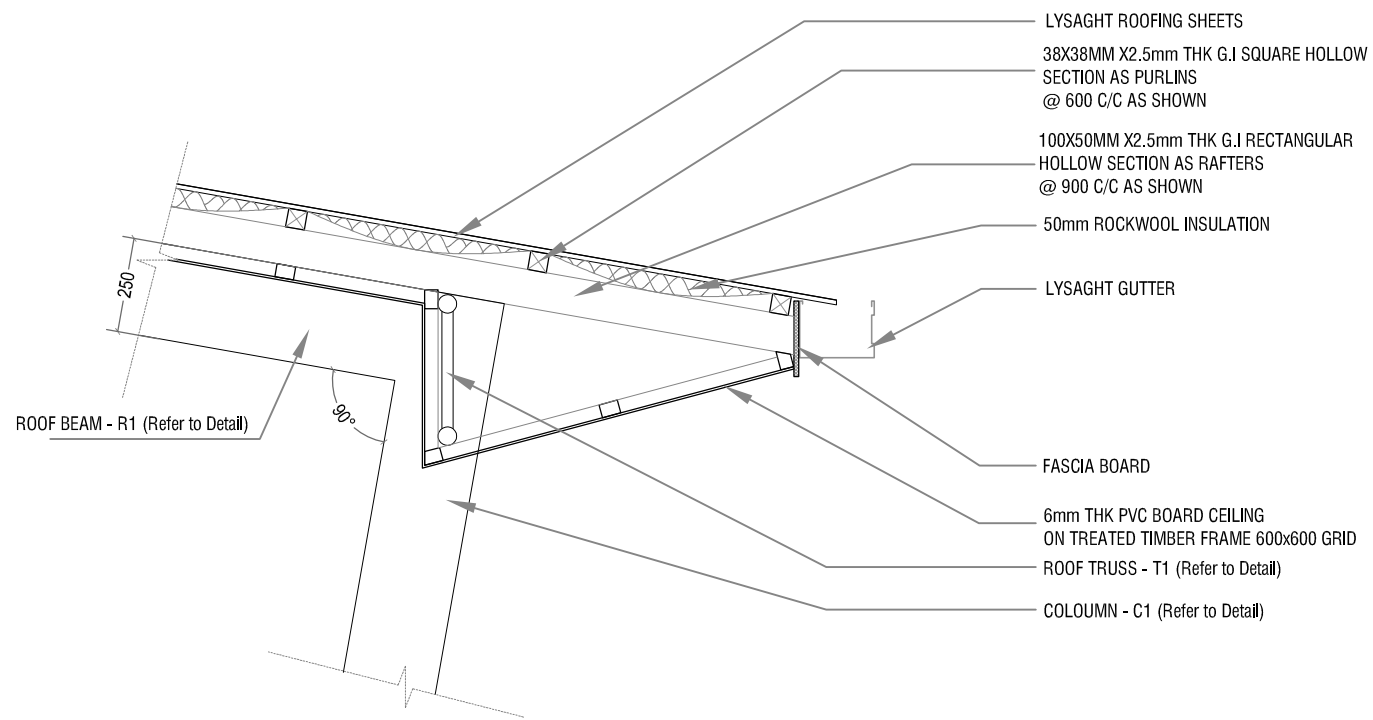
SCALE: 1:50

PROJECT: FERRY TERMINAL PORICO B. EYDHAFUSHI	DESIGNED BY: MOHAMED NAUSHAD	ENGINEER:
	ARCHITECT: MOHAMED NAUSHAD	ENGINEER CHECKER: AHSAN
CLIENT: B. EYDHAFUSHI COUNCIL	ARCH CHECKER:	DATE: AUGUST 2023
		REV:
		PRINT: A3

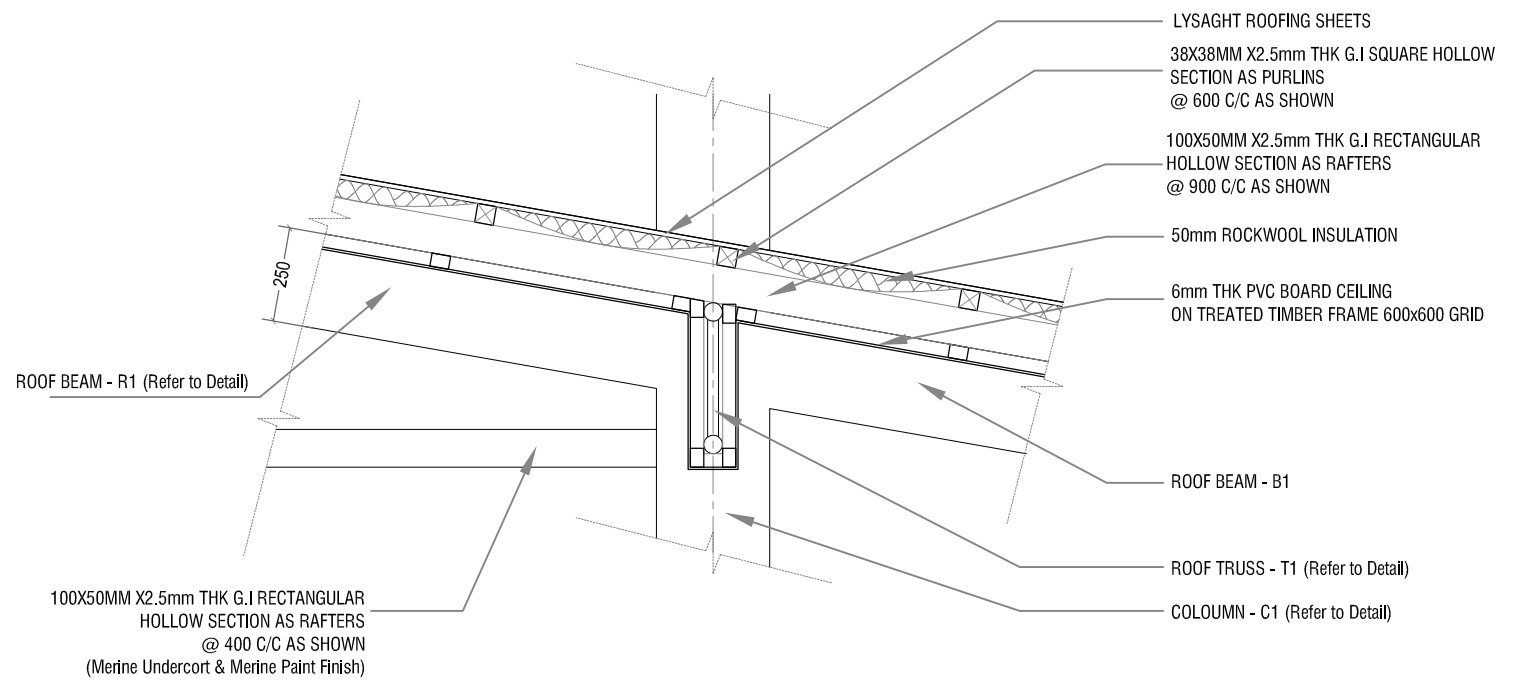


ROOF FRAMING PLAN
 SCALE: 1:50

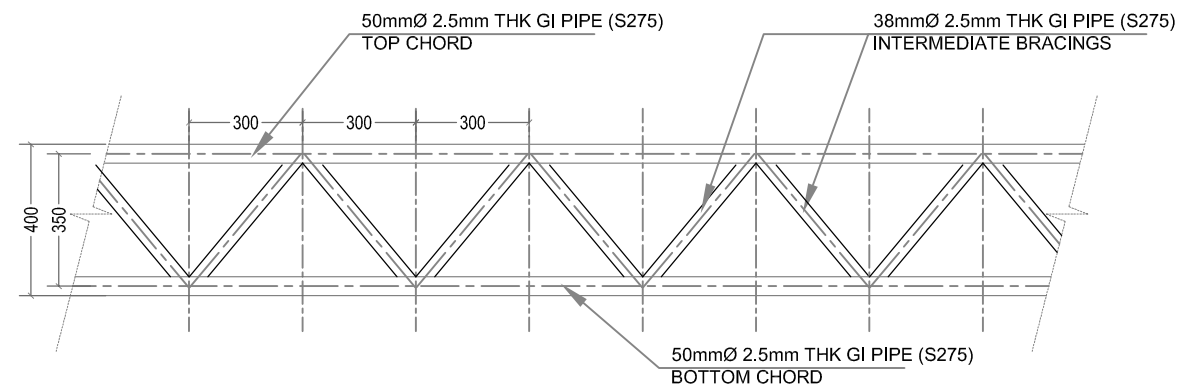
PROJECT: FERRY TERMINAL PORICO B. EYDHAFUSHI	DESIGNED BY: MOHAMED NAUSHAD ENGINEER: ARCHITECT: MOHAMED NAUSHAD ENGINEER CHECKER: AHSAN ARCH CHECKER:	CLIENT: B. EYDHAFUSHI COUNCIL
DATE: AUGUST 2023 REV:	PRINT: A3	



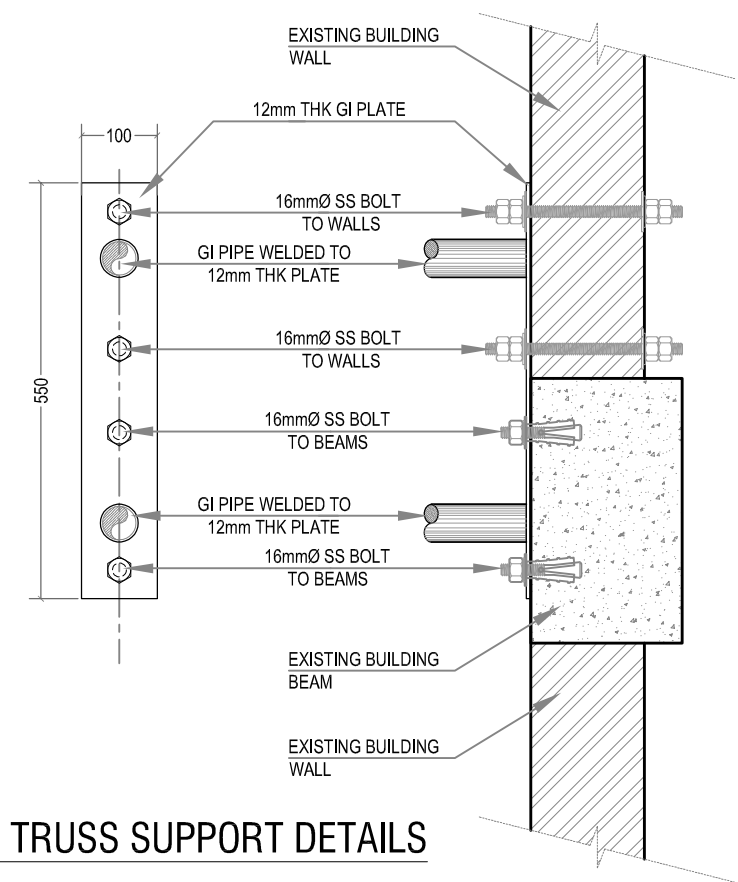
DETAIL SECTION - A



DETAIL SECTION - B



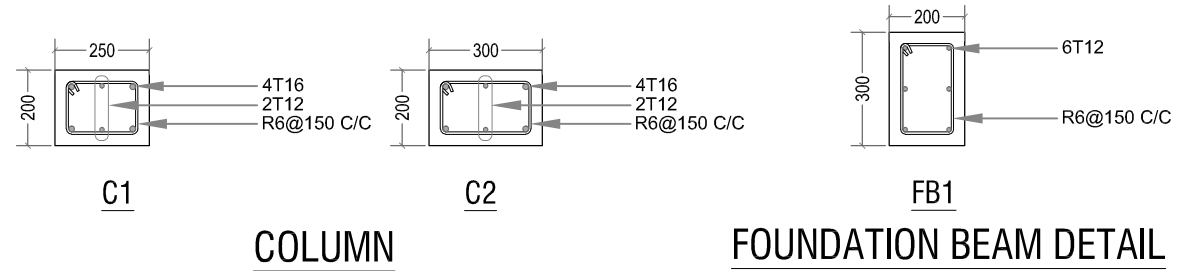
ROOF TRUSS



ROOF TRUSS SUPPORT DETAILS

ROOF DETAILS
SCALE: 1:20

PROJECT: FERRY TERMINAL PORICO B. EYDHAFUSHI	DESIGNED BY: MOHAMED NAUSHAD ENGINEER: ARCHITECT: MOHAMED NAUSHAD ENGINEER CHECKER: AHSAN ARCH CHECKER:	PRINT: A3
CLIENT: B. EYDHAFUSHI COUNCIL	DATE: AUGUST 2023 REV:	

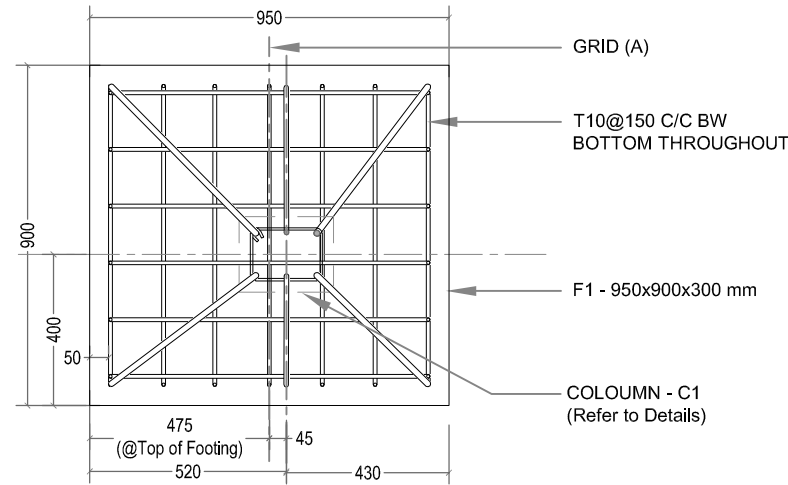


COLUMN

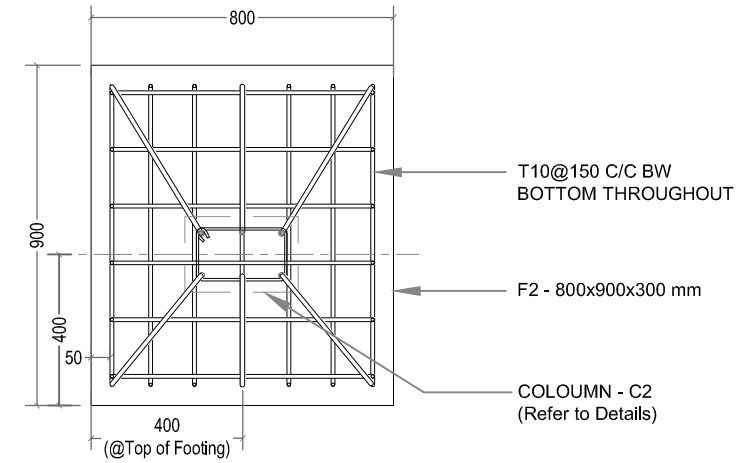
FOUNDATION BEAM DETAIL

ROOF BEAM DETAIL

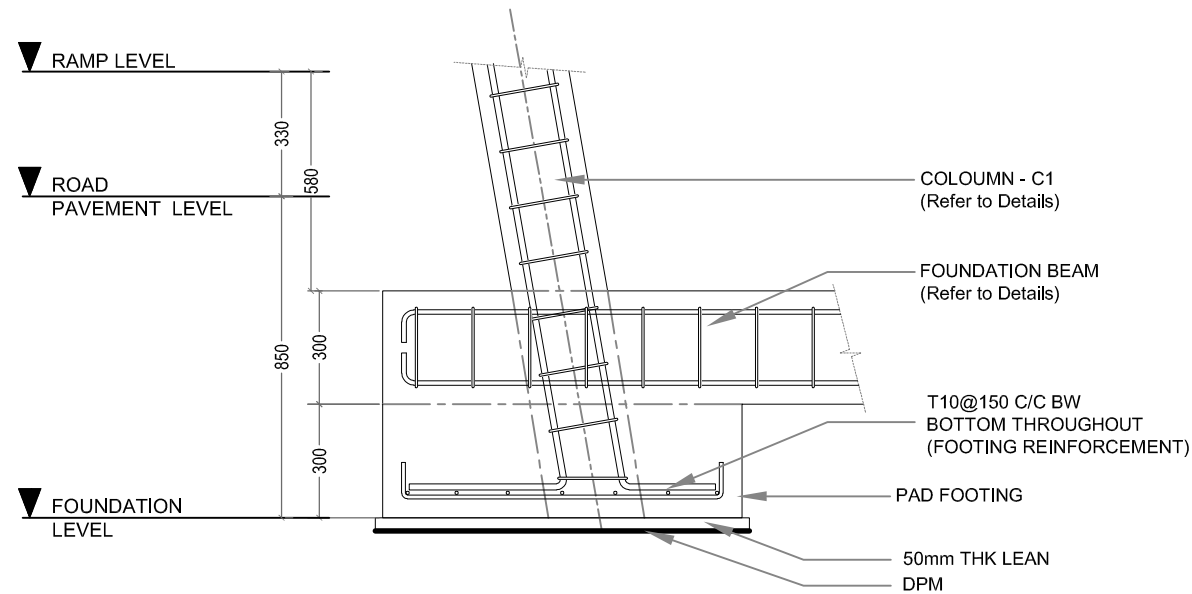
NOTE :
 COVER TO FOUNDATION = 50MM
 COVER TO COLUMN = 40MM
 BEAMS BEND-UP BARS = 12XDIA.
 ANCHORE BARS = 55XDIA.
 LAPPING BARS = 45XDIA.
 MID BARS = 0.85XSPAN
 SUPPORT BARS = 1/3XSPAN
 MIX RATIO = 1:2:3
 (CEMENT : SAND : AGGREGATE)



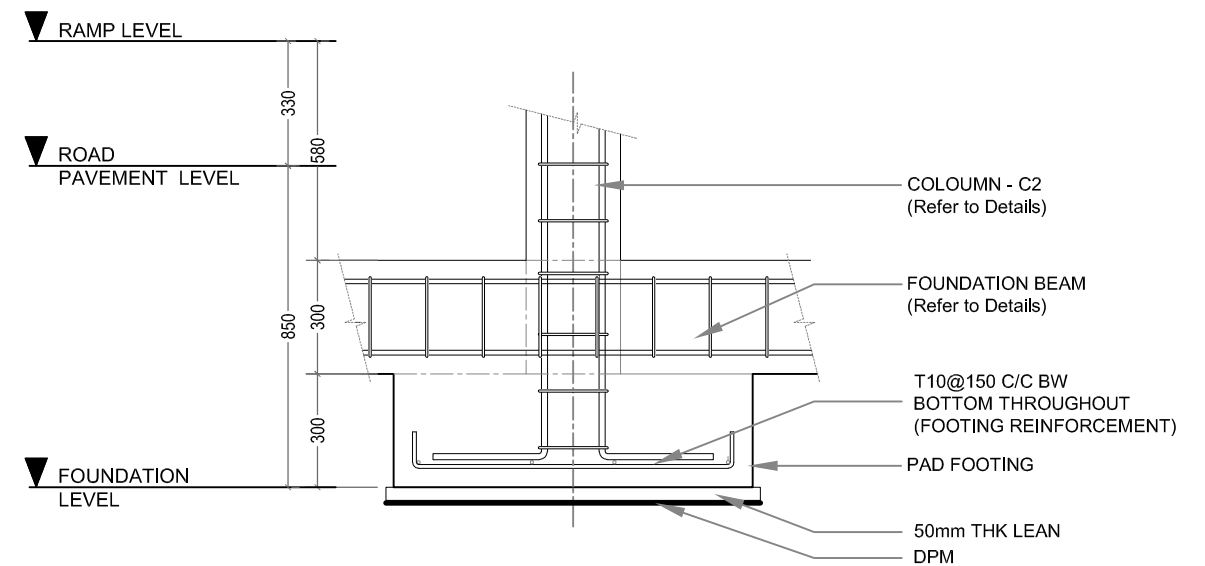
**F1
PAD FOOTING DETAIL PLAN**



**F2
PAD FOOTING DETAIL PLAN**



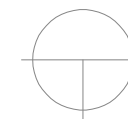
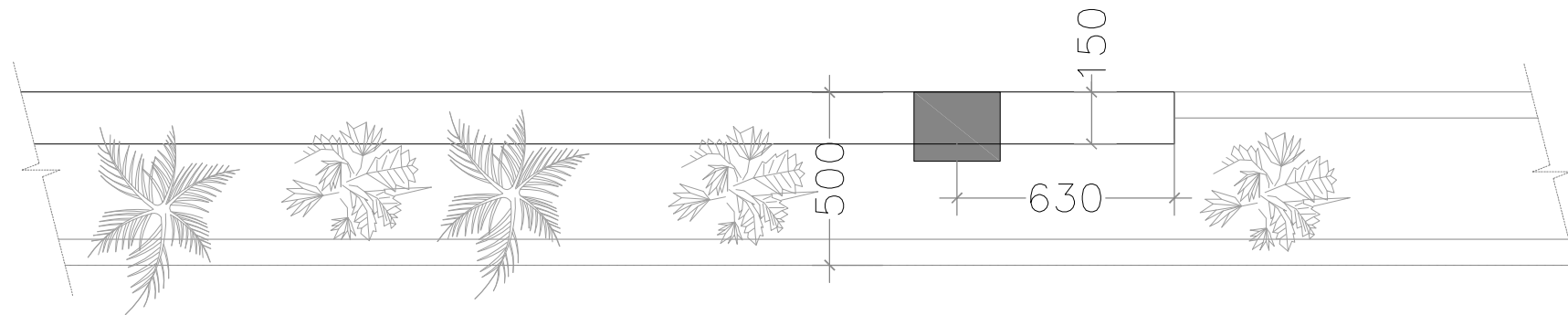
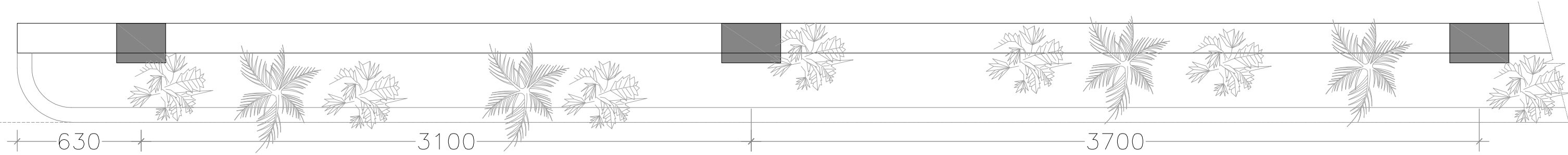
**F1
PAD FOOTING SECTION DETAIL**



**F2
PAD FOOTING SECTION DETAIL**

STRUCTURAL DETAILS
 SCALE: 1:20

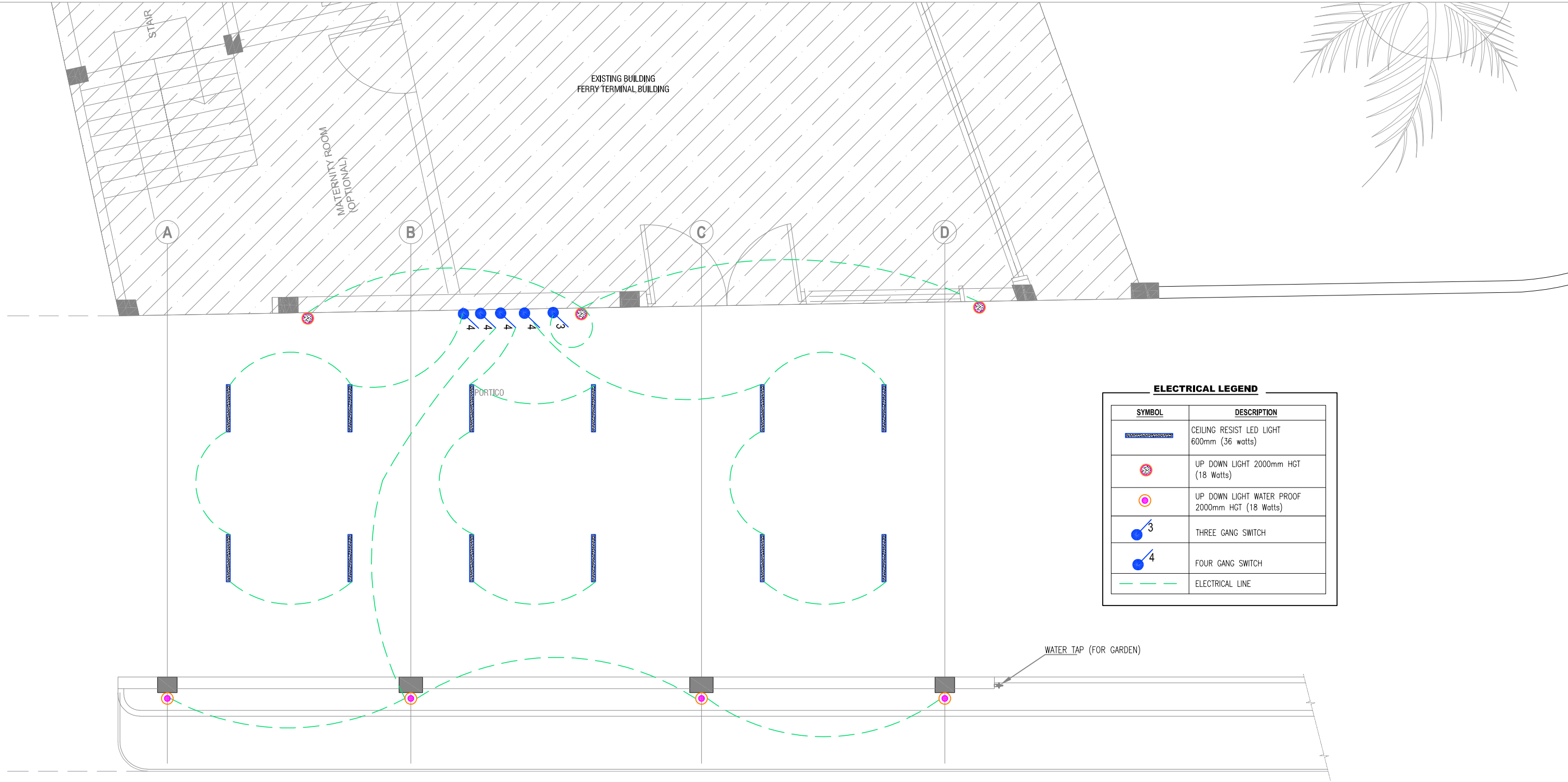
PROJECT: FERRY TERMINAL PORICO B. EYDHAFUSHI	DESIGNED BY: MOHAMED NAUSHAD ENGINEER: ARCHITECT: MOHAMED NAUSHAD ENGINEER CHECKER: AHSAN ARCH CHECKER:
CLIENT: B. EYDHAFUSHI COUNCIL	DATE: AUGUST 2023 REV:
	PRINT: A3



GARDEN WALL

SCALE: 1:20

PROJECT: FERRY TERMINAL PORICO B. EYDHAFUSHI	DESIGNED BY: MOHAMED NAUSHAD ENGINEER:	ARCHITECT: MOHAMED NAUSHAD ENGINEER CHECKER: AHSAN ARCH CHECKER:
CLIENT: B. EYDHAFUSHI COUNCIL	DATE: AUGUST 2023 REV:	PRINT: A3



ELECTRICAL PLAN
SCALE: 1:50

ELECTRICAL LEGEND

SYMBOL	DESCRIPTION
	CEILING RESIST LED LIGHT 600mm (36 watts)
	UP DOWN LIGHT 2000mm HGT (18 Watts)
	UP DOWN LIGHT WATER PROOF 2000mm HGT (18 Watts)
	THREE GANG SWITCH
	FOUR GANG SWITCH
	ELECTRICAL LINE

WATER TAP (FOR GARDEN)

PROJECT: FERRY TERMINAL PORICO B. EYDHAFUSHI	DESIGNED BY: MOHAMED NAUSHAD ENGINEER:	ARCHITECT: MOHAMED NAUSHAD ENGINEER CHECKER: AHSAN ARCH CHECKER:
CLIENT: B. EYDHAFUSHI COUNCIL	DATE: AUGUST 2023 REV:	PRINT: A3