



CURRENT WIRING DIAGRAM

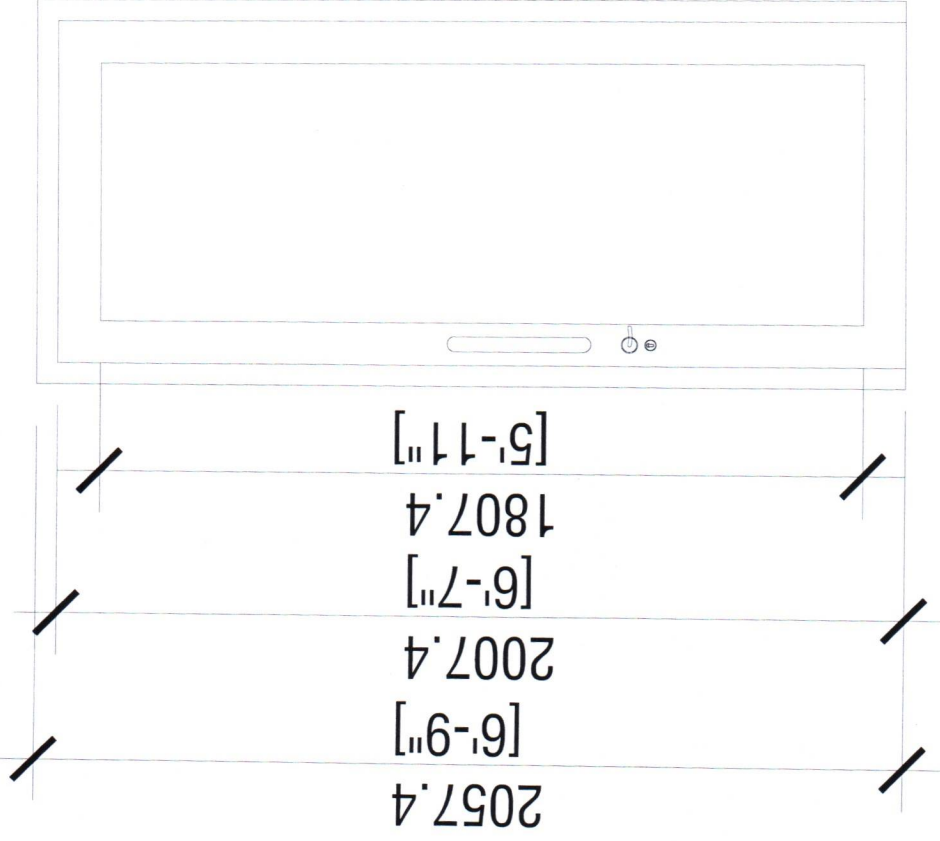
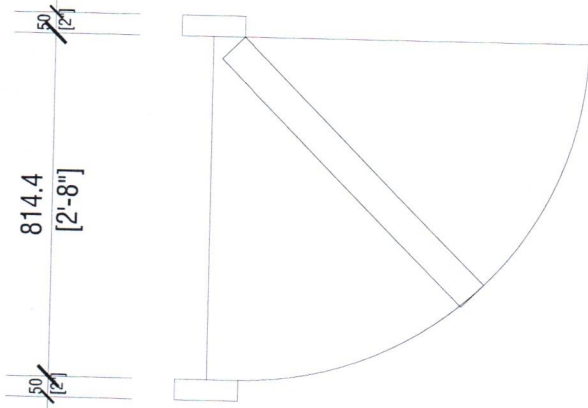
SCALE: 1:100

- TWO GANG TWIN SOCKET 13 AMP
- ACCESS POINT (FINGER PRINT / CARD)
- TWO GANG SWITCH PANEL
- CEILING FAN DIMMER PANEL
- INTERNET CABLE WITH BOX
- TELEPHONE CABLE WITH BOX



 <p>SECRETARIAT OF HULHUDHELHI COUNCIL DH. HULHUDHELHI AMEREE MAJULI 133040 Tel: 995040, 975040 email: info@hulhudheli.gov.mv</p>	<p>TITLE: OFFICE RENOVATION</p>	<p>PROJECT: CREATION OF ROOM AND RECEPTION</p>	<p>DRAWN BY: AHMED SHYAM DESIGNATION : COUNCIL OFFICER CHECKED BY: IBRAHIM ABDUL SATTAR DESIGNATION : SECRETARY GENERAL APPROVED BY: AHMED NAZIM DESIGNATION : COUNCIL'S PRESIDENT</p>	 <p>SCALE: (given) DATE: 12 FEB 2024</p>
---	--	---	--	---

D1, D2 AND D3



DOOR WINDOW SCHEDULE

D1 = DOOR 1

D2 = DOOR 2

D3 = DOOR 3

SCALE: 1:100



SECRETARIAT OF HULHUDHELHI COUNCIL

DH. HULHUDHELHI

AMEENEE MAGU/13040
Tel: 6760046, 6760664
email: info@hulhudheli.gov.mv

TITLE:
OFFICE RENOVATION

PROJECT:
CREATION OF ROOM AND RECEPTION

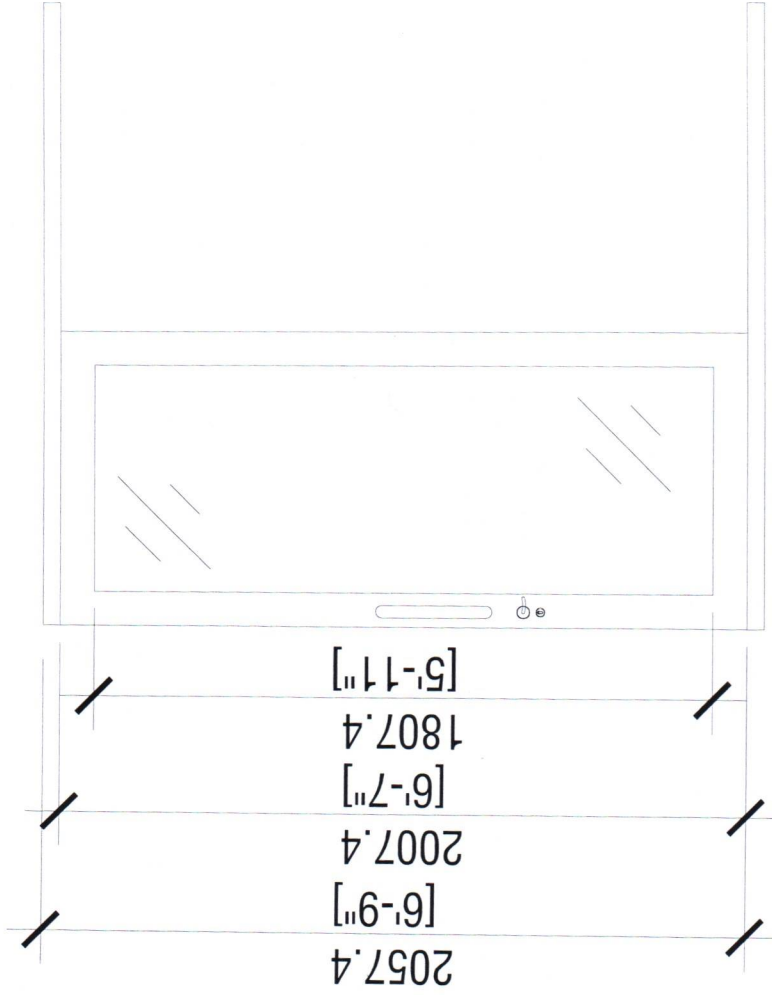
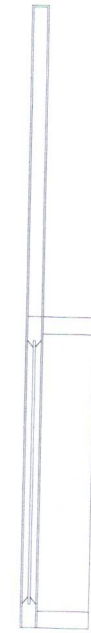
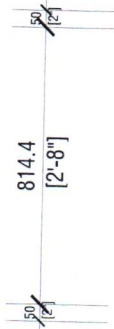
DRAWN BY: AHMED SHIYAM
DESIGNATION: COUNCIL OFFICER
CHECKED BY: IBRAHIM ABUL SATTAR
DESIGNATION: SECRETARY GENERAL
APPROVED BY: AHMED NAZIM
DESIGNATION: COUNCIL'S PRESIDENT



SCALE: (given)

DATE: 12 FEB 2024

D4



DOOR WINDOW SCHEDULE
D4 = SLIDING DOOR 1
SCALE: 1:100



SECRETARIAT OF HULHUDHELHI COUNCIL

DH. HULHUDHELHI
AMBENEE MGL 13040
Tel: 6765049, 6765064
email: info@hulhudheli.gov.mv

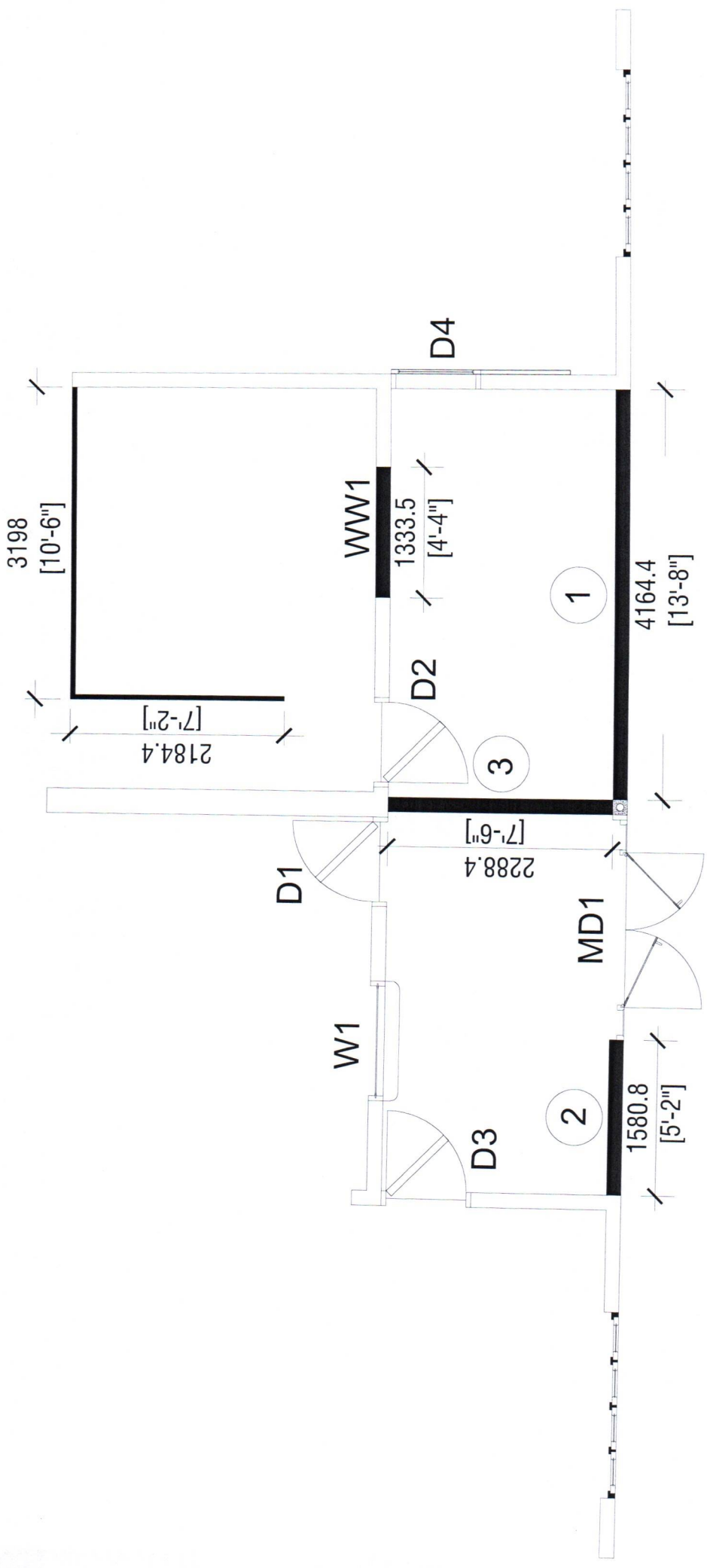
TITLE:
OFFICE RENOVATION

PROJECT:
CREATION OF ROOM AND RECEPTION

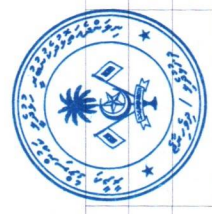
DRAWN BY: AHMED SHIYAM
DESIGNATION: COUNCIL OFFICER
CHECKED BY: IBRAHIM ABDUL SATTAR
DESIGNATION: SECRETARY GENERAL
APPROVED BY: AHMED NAZIM
DESIGNATION: COUNCIL'S PRESIDENT




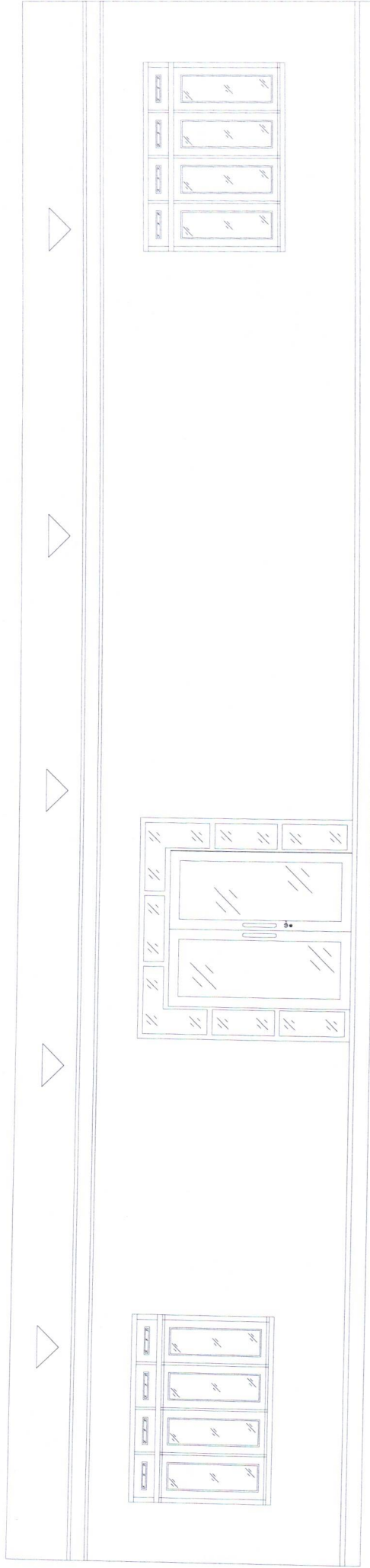
SCALE: (given)
DATE: 12 FEB 2024




**LOCATION OFF DOOR AND WINDOW
LOCATION AND MEASUREMENTS OF WALLS
SCALE: 1:100**



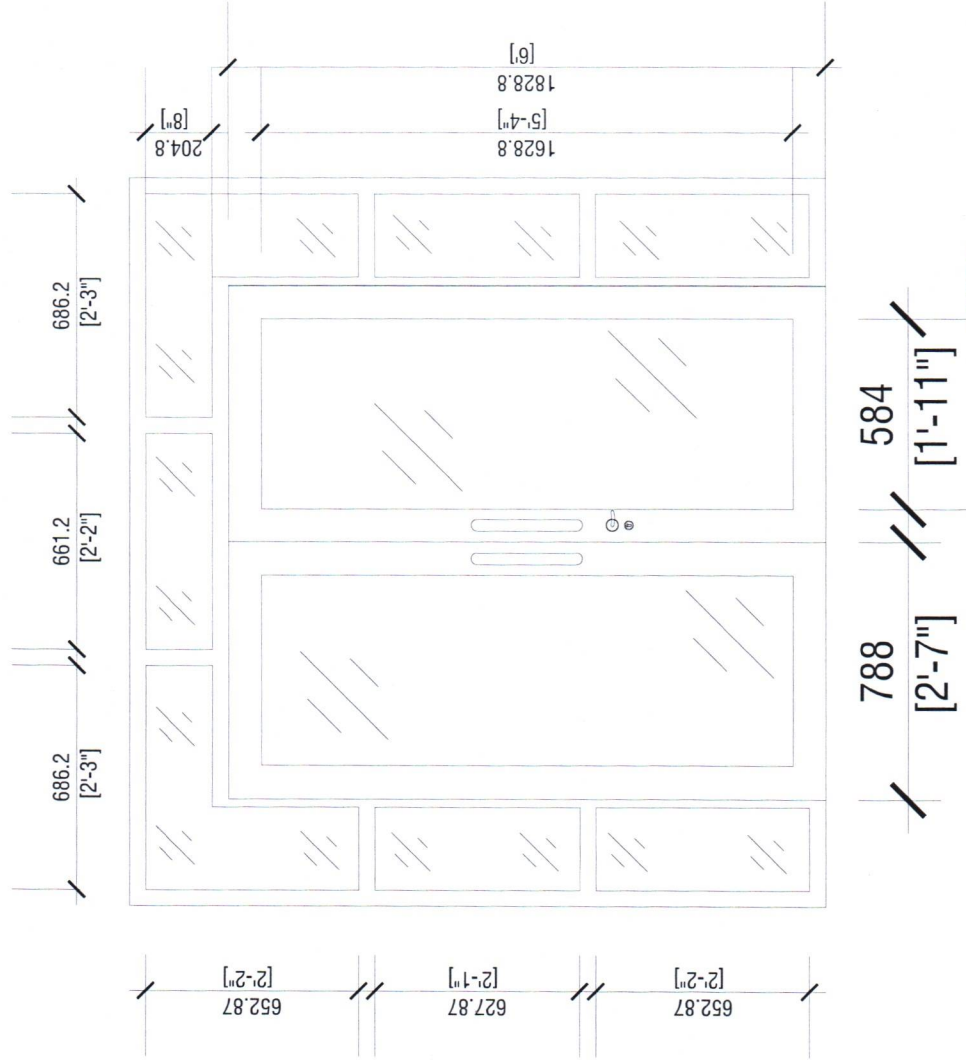
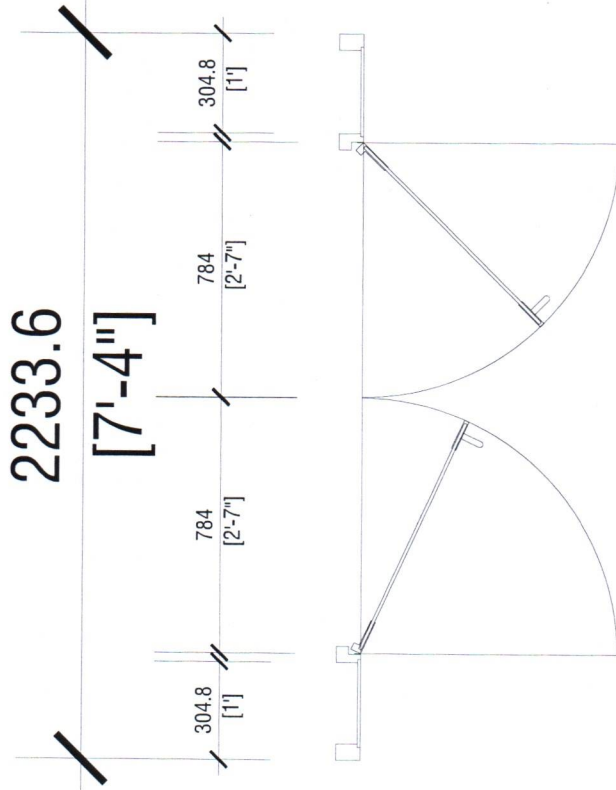
 <p>SECRETARIAT OF HULHUDHELI COUNCIL DH. HULHUDHELI AMEENEE MAGU, 13940 Tel: 6760048, 6760664 email: info@hulhudheli.gov.mv</p>	<p>TITLE: OFFICE RENOVATION</p>	<p>PROJECT: CREATION OF ROOM AND RECEPTION</p>	<p>DRAWN BY: AHMED SHIYAM DESIGNATION : COUNCIL OFFICER CHECKED BY: IBRAHIM ABDUL SATTAR DESIGNATION : SECRETARY GENERAL APPROVED BY: AHMED NAZIM DESIGNATION : COUNCIL'S PRESIDENT</p>
		<p>SCALE: (given)</p>	<p>DATE: 12 FEB 2024</p>



FRONT ELEVATION (F1)
SCALE: 1:100

	<p>SECRETARIAT OF HULHUDHELI COUNCIL DH. HULHUDHELI AMEENEE MAGU, 13040 Tel: 6760049, 6760664 email: info@hulhudheli.gov.mv</p>	<p>TITLE: OFFICE RENOVATION</p>	<p>PROJECT: CREATION OF ROOM AND RECEPTION</p>	<p>DRAWN BY: AHMED SHIVAM DESIGNATION : COUNCIL OFFICER CHECKED BY: IBRAHIM ABDUL SATTAR DESIGNATION : SECRETARY GENERAL APPROVED BY: AHMED NAZIM DESIGNATION : COUNCIL'S PRESIDENT</p>
<p>SCALE: (given)</p>				<p>DATE: 12 FEB 2024</p>

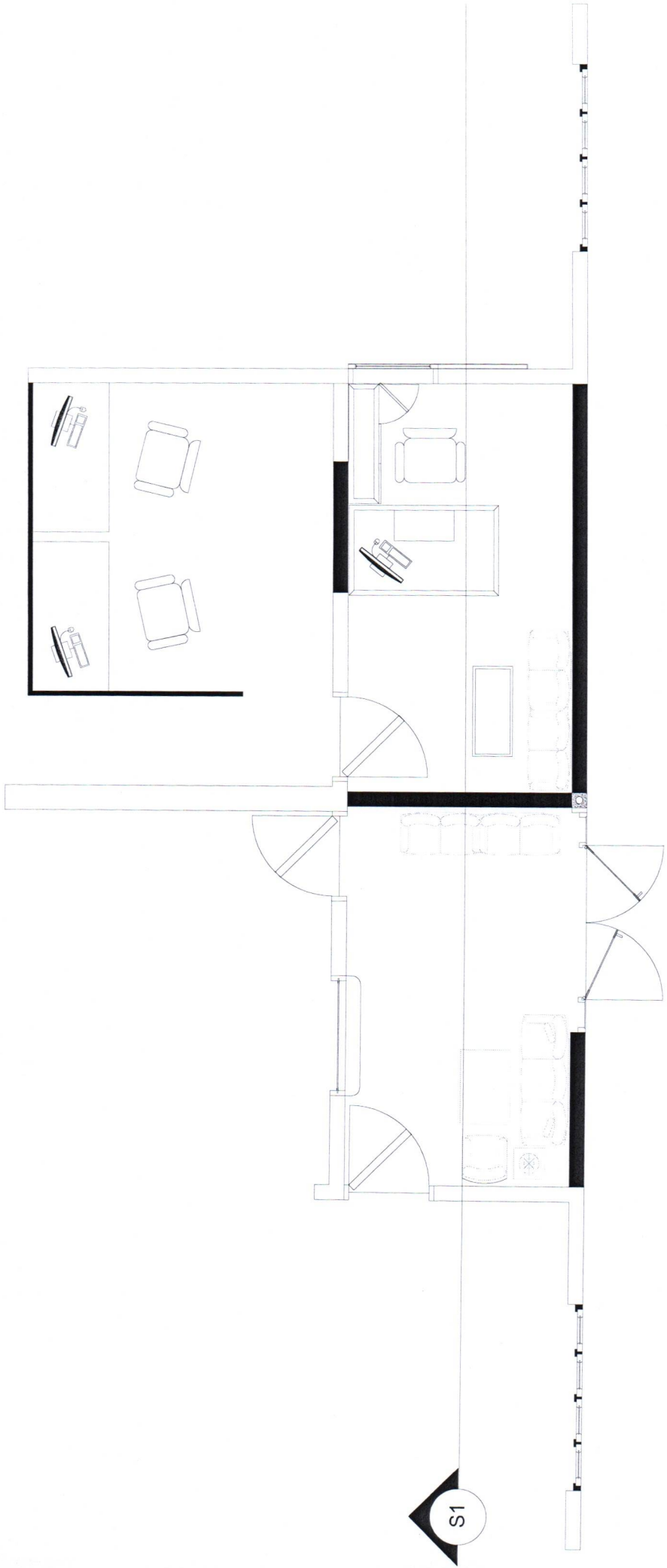
MD1



DOOR WINDOW SCHEDULE
 MD1 = MAIN DOOR 1
 SCALE: 1:100

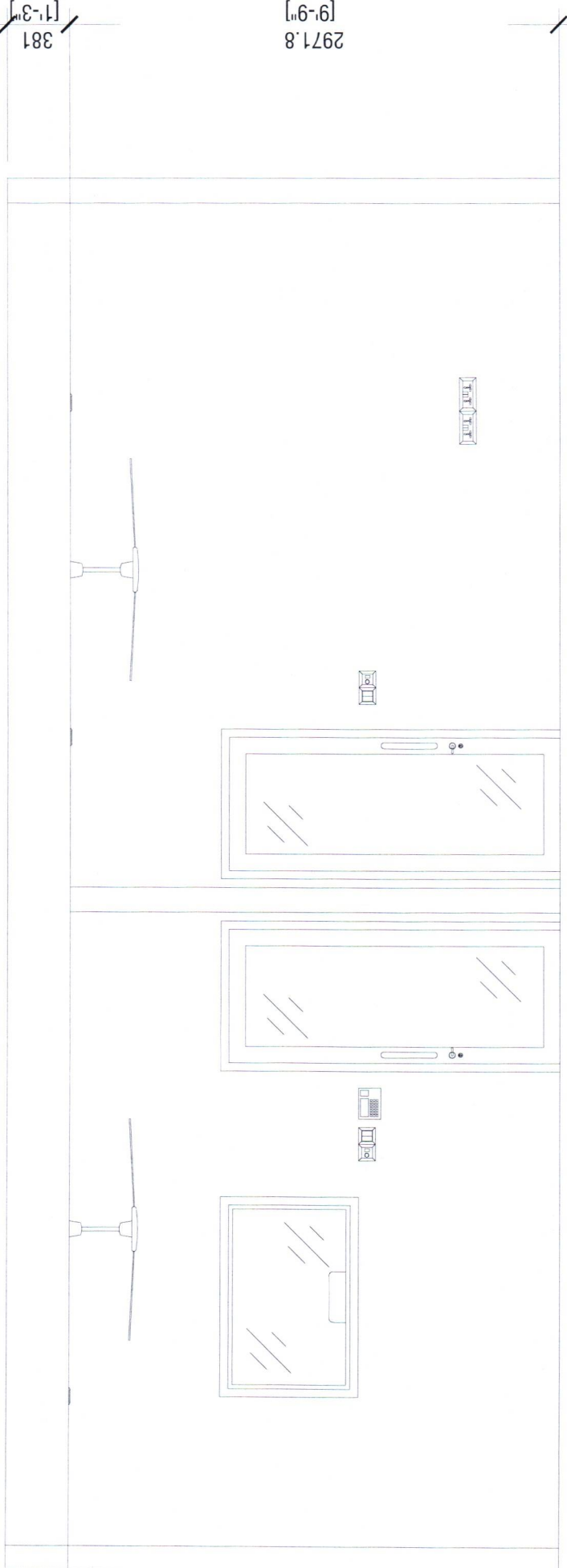


	<p>DRAWN BY: AHMED SHIYAM DESIGNATION : COUNCIL OFFICER</p> <p>CHECKED BY: IBRAHIM ABDUL SATTAR DESIGNATION : SECRETARY GENERAL</p> <p>APPROVED BY: AHMED NAZIM DESIGNATION : COUNCIL'S PRESIDENT</p>	<p>PROJECT: CREATION OF ROOM AND RECEPTION</p>	<p>TITLE: OFFICE RENOVATION</p>	<p>SECRETARIAT OF HULHUDHELI COUNCIL DH. HULHUDHELI</p> <p>AMERNEE MACULI 13040 Tel: 6765046 6766664 email: info@hulhudheli.gov.mv</p>
<p>SCALE: (given)</p>				<p>DATE: 12 FEB 2024</p>



PLOT LAYOUT
SCALE: 1:100

 <p>SECRETARIAT OF HULHUDHELHI COUNCIL DH. HULHUDHELHI AMEENEE MAGU, 13040 Tel: 6760046, 6760664 email: info@hulhudheli.gov.mv</p>	<p>TITLE: OFFICE RENOVATION</p>	<p>PROJECT: CREATION OF ROOM AND RECEPTION</p>	<p>DRAWN BY: AHMED SHYAM DESIGNATION : COUNCIL OFFICER</p> <p>CHECKED BY : IBRAHIM ABDUL SATTAR DESIGNATION : SECRETARY GENERAL</p> <p>APPROVED BY: AHMED NAZIM DESIGNATION : COUNCIL'S PRESIDENT</p>	 <p>SCALE: (given) DATE: 12 FEB 2024</p>
--	--	---	---	---



SECTION (S1)

SCALE: 1:100



SECRETARIAT OF HULHUDHELI COUNCIL
 D.H. HULHUDHELI
 AHMENE MAGU, 13040
 P.O. Box 13040, Hulhudheli
 email: info@hulhudheli.gov.mv

TITLE:
OFFICE RENOVATION

PROJECT:
CREATION OF ROOM AND RECEPTION

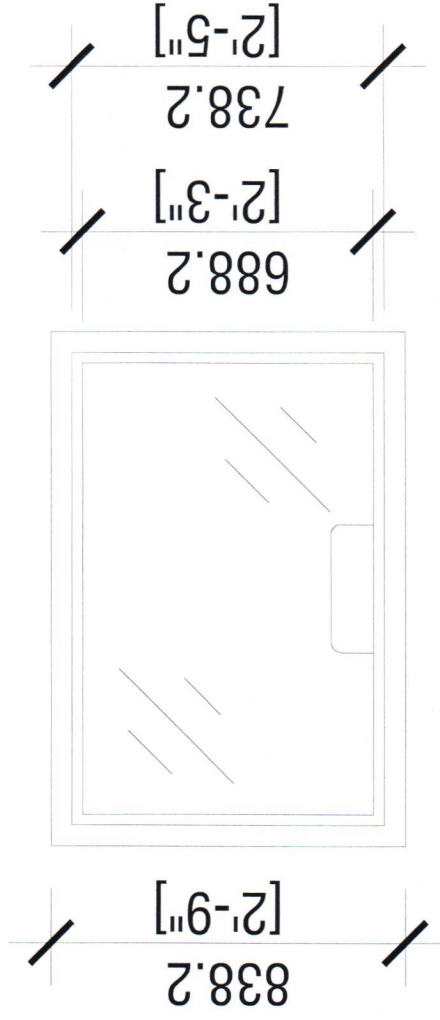
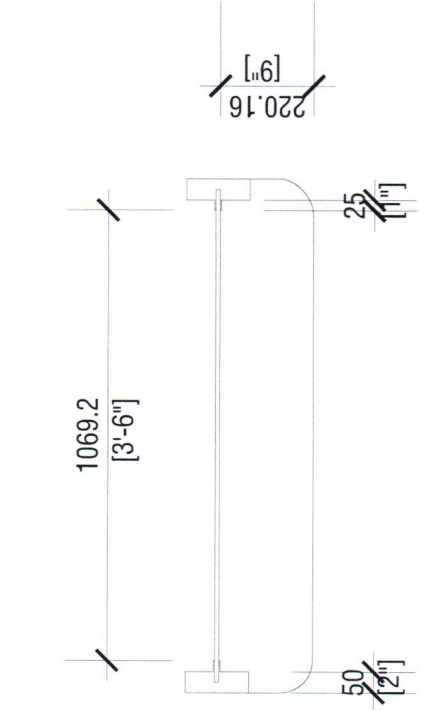
DRAWN BY: AHMED SHIYAM
DESIGNATION: COUNCIL OFFICER
CHECKED BY: IBRAHIM ABDUL SATTAR
DESIGNATION: SECRETARY GENERAL
APPROVED BY: AHMED NAZIM
DESIGNATION: COUNCIL'S PRESIDENT



SCALE: (given)

DATE: 12 FEB 2024

W1



DOOR WINDOW SCHEDULE
W1 = RECEPTION WINDOW 1
SCALE: 1:100



SECRETARIAT OF HULHUDHELI COUNCIL
 DH. HULHUDHELI
 ANEEREE MUSHI, 1040
 Tel: 8762048 8762864
 email: info@hulhudheli.gov.mv

TITLE:
 OFFICE RENOVATION

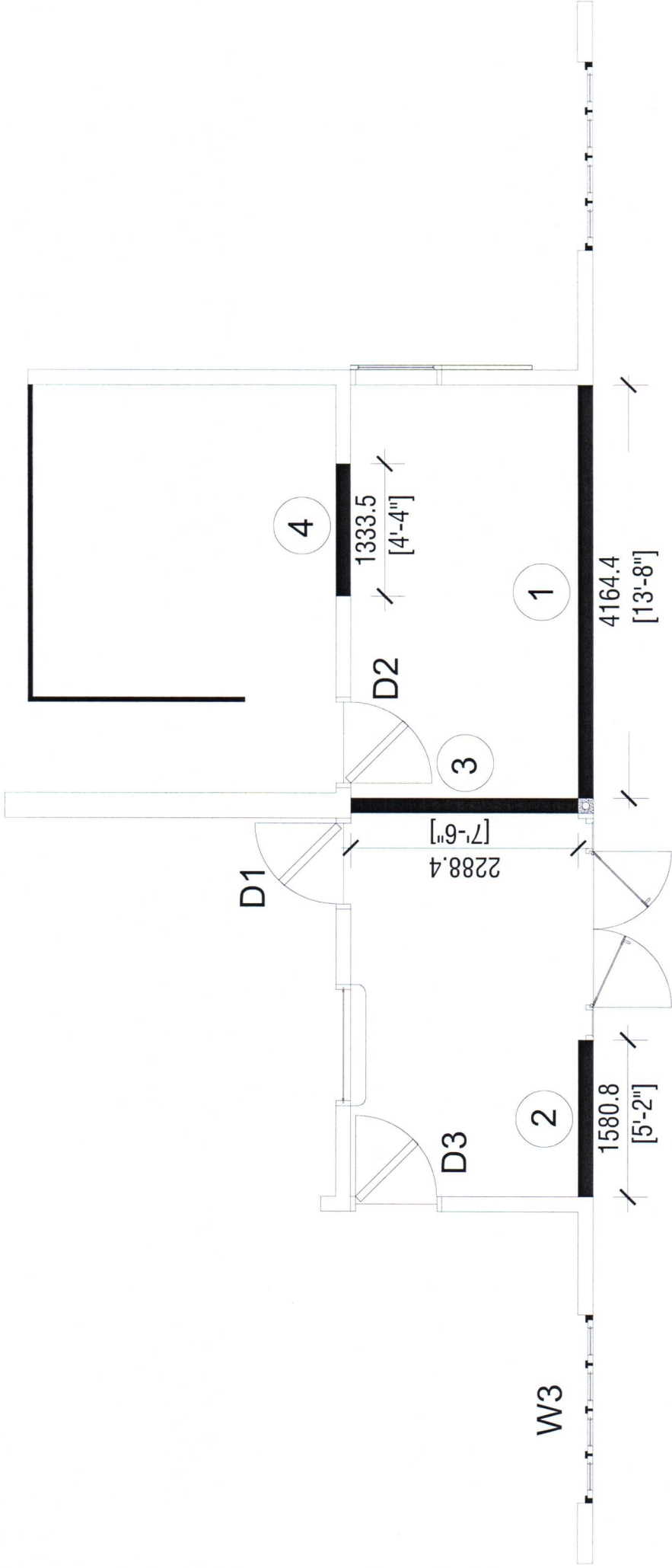
PROJECT:
 CREATION OF ROOM AND RECEPTION

DRAWN BY: AHMED SHYAM
DESIGNATION : COUNCIL OFFICER
CHECKED BY: IBRAHIM ABDUL SATTAR
DESIGNATION : SECRETARY GENERAL
APPROVED BY: AHMED NAZIM
DESIGNATION : COUNCIL'S PRESIDENT



SCALE: (given)

DATE: 12 FEB 2024



WALLS TO BE BUILD HIGHLIGHTED
SCALE: 1:100



SECRETARIAT OF HULHUDHELI COUNCIL

DH. HULHUDHELI

AHEENEE MAGLI, 13040
Hulhudheli, Dh. Hulhudheli
email: info@hulhudheli.gov.mv

TITLE:
OFFICE RENOVATION

PROJECT:
CREATION OF ROOM AND RECEPTION

DRAWN BY: AHMED SHIYAM
DESIGNATION: COUNCIL OFFICER
CHECKED BY: IBRAHIM ABDUL SATTAR
DESIGNATION: SECRETARY GENERAL
APPROVED BY: AHMED NAZIM
DESIGNATION: COUNCIL'S PRESIDENT



SCALE: (given)

DATE: 12 FEB 2024