

 STANDARD ARTIFICIAL TURF FULL PITCH PLAN

60000 [196'-10"]

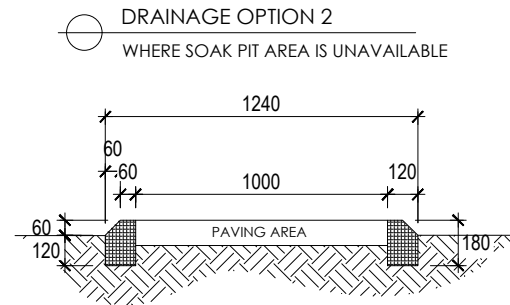
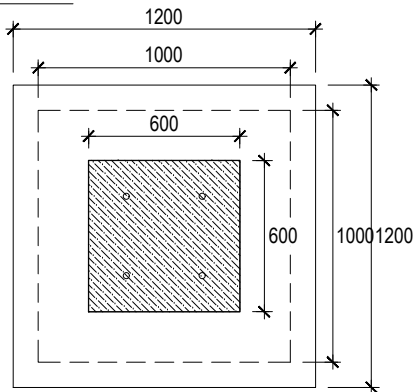
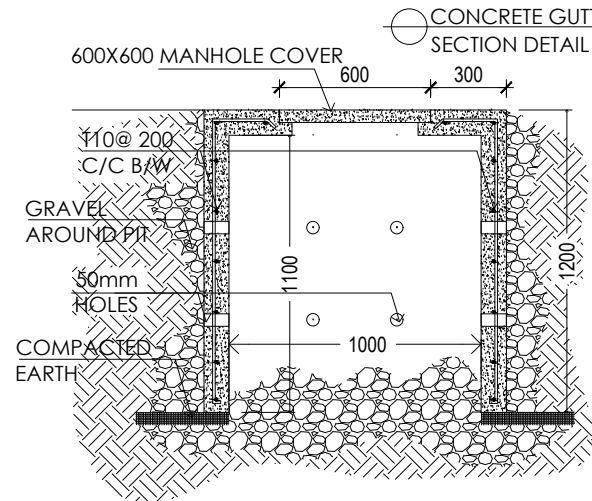
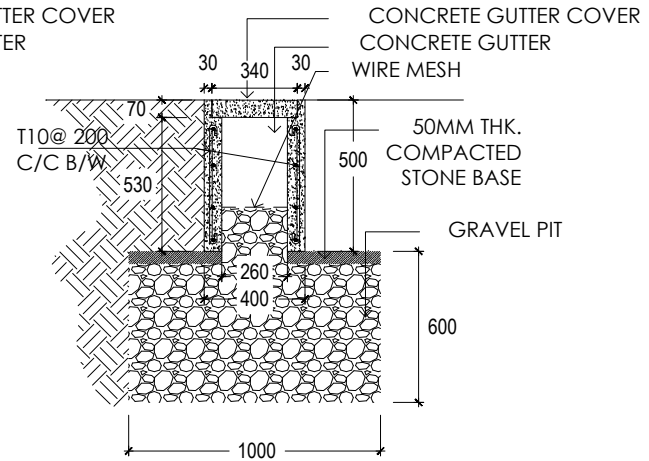
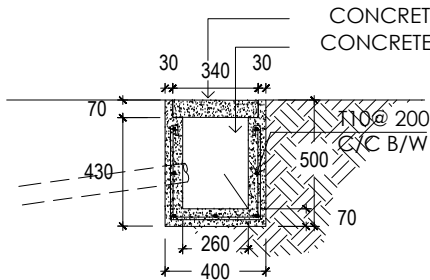
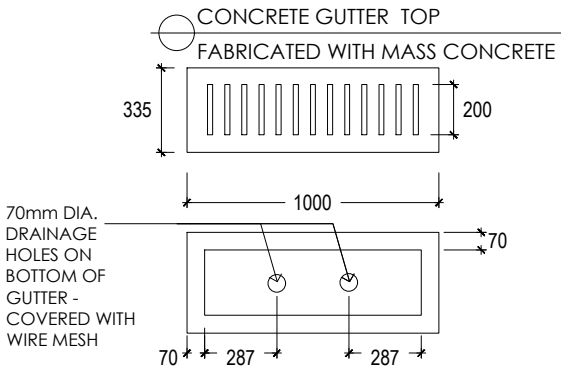
30000 [98'-5"]

SLOPE 0.5%

SLOPE 0.5%

DETAIL 01

DETAIL 02



CLIENT:  
MINISTRY OF YOUTH AND SPORTS

PROJECT:

AT FULL PITCH

DRAWN BY:  
MS

SCALE:  
AS GIVEN

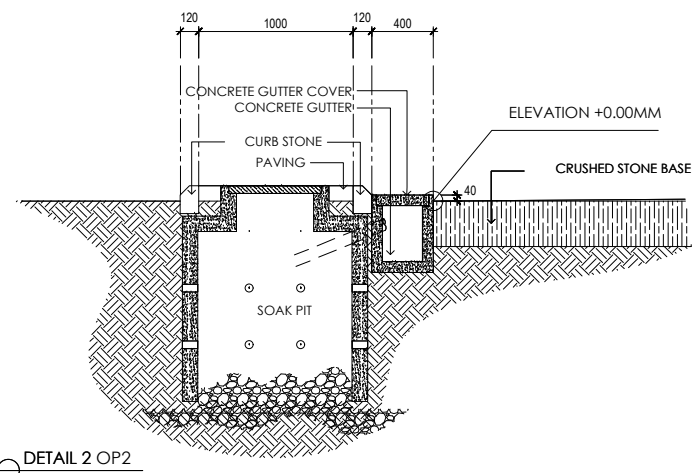
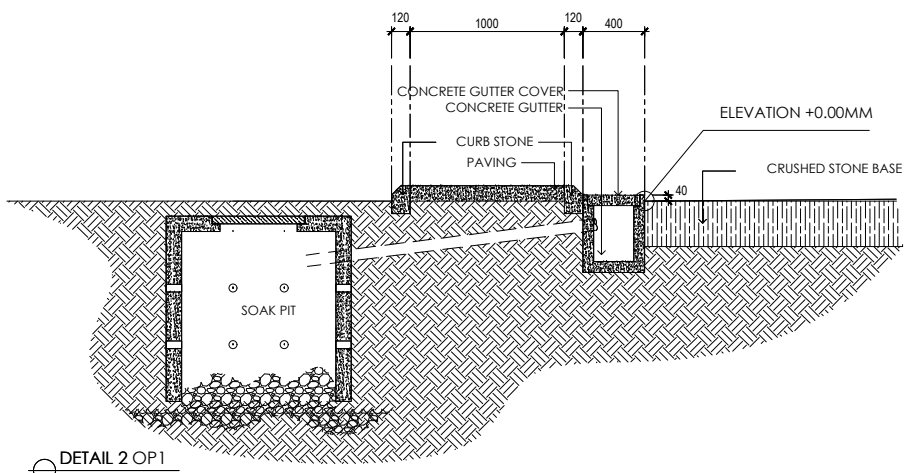
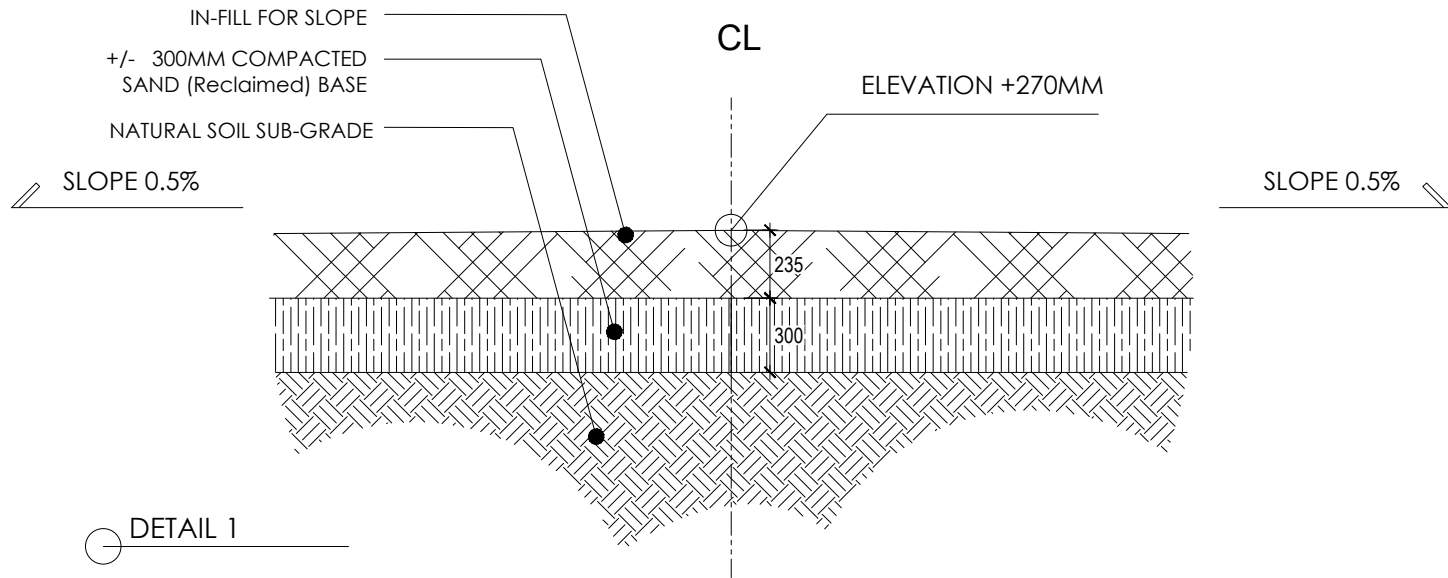
DATE:  
NOV 2019

PAGE NO.:  
01 / 01

COMMENTS:

DO NOT MEASURE FROM THE DRAWING. FOLLOW DIMENSIONS GIVEN.





CLIENT:  
MINISTRY OF YOUTH AND SPORTS

PROJECT:

AT FULL PITCH

DRAWN BY: MS	SCALE: AS GIVEN
DATE: NOV 2019	PAGE NO.: 01 / 01

COMMENTS:

DO NOT MEASURE FROM THE DRAWING. FOLLOW DIMENSIONS GIVEN.

