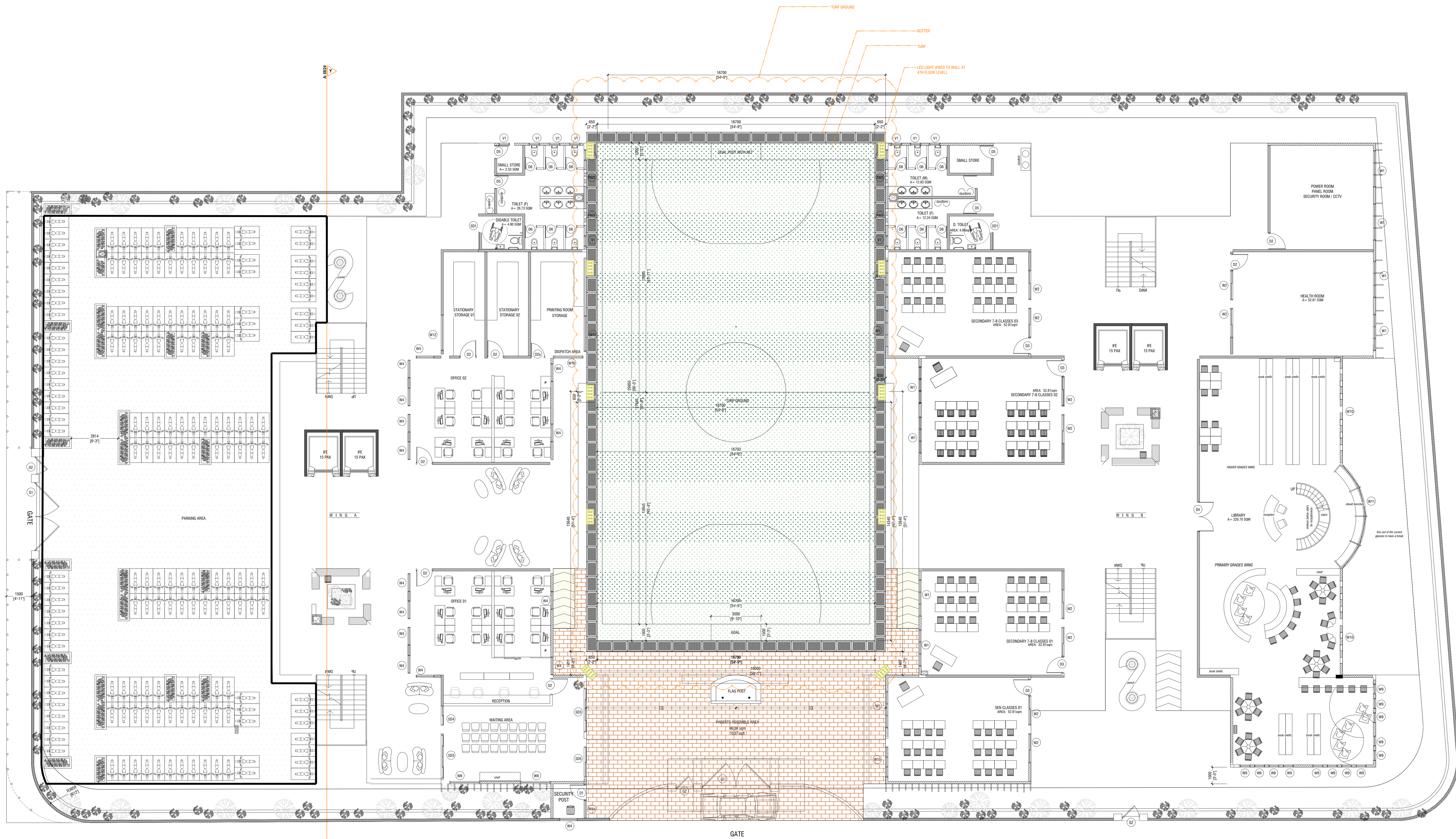




PHYSICAL FACILITIES DEVELOPMENT SECTION
MINISTRY OF EDUCATION, REPUBLIC OF MALDIVES

PROPOSED TURF GROUND AT DHARUMAVANTHA SCHOOL

ARCHITECTURAL DRAWINGS



GROUND FLOOR PLAN
SCALE 1:100

DHARUMAVANTHA SCHOOL

NOTE:

- GUTTER
- 35 ARTIFICIAL GRASS TURF (BICOLOUR) (PFA RECOMMENDED)
- WATERPROOF LED LIGHTS (BROWN PINK) (AT 4TH FLOOR LEVEL)

INSTRUCTIONS

SUB-BASE WORK
DEMOLITION, REMOVAL & DISPOSING AND OF BLOCKS (IF REQUIRED)

PREPARATION OF SUB-BASE
BACK-FILL, PREPARATION OF STABILIZED SUB-BASE TO REQUIRED LEVELS, WELL WATERED AND CONSOLIDATED AND THEN ROLLED UNTIL DESIRED THICKNESS IS REACHED ACCORDING TO THE PLANNING, THE CLIMATE AND THE DRAINAGE.

TURF INSTALLATION
LAYS 1.00M RECYCLATION OR 30 ARTIFICIAL GRASS WITH MANUFACTURERS INSTRUCTIONS USING ADHESIVE OR COMPACTING GRANULAR TOP DRESSING AREA. TOP DRESSER GRANULE FOR INFILLING (1/2 SAND, SILICA SAND FOR WALL 3/4 SAND)

- TURF AREA - AS SHOWN
- PFA RECOMMEND - 35/35/35mm
- COLOR: GREEN (BICOLOUR) (PFA CERTIFIED MATERIAL)

MARKING ON TURF
MARKING THE COURT LINES AS PER THE DRAWINGS SPACES

FUTSAL GOAL
- 2 GOAL POSTS WITH NET

LIGHTS
WATERPROOF LED LIGHTS (BROWN PINK) (AT 4TH FLOOR LEVEL) TO BE ONED ON WALL & CONNECTED TO A SWITCHING ON

PHYSICAL FACILITIES DEVELOPMENT SECTION
MINISTRY OF EDUCATION
REPUBLIC OF INDIA

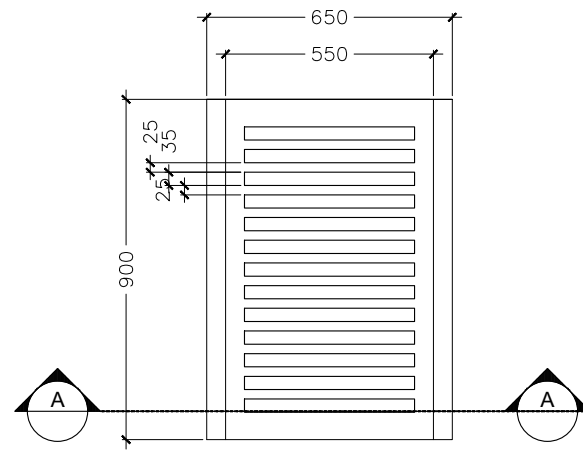
PROJECT:
**DHARUMAVANTHA SCHOOL
TURF GROUND**

PROJ. REF. _____
SCALE: AS SHOWN
ARCHITECT: _____
ENGINEER: _____
DRAWN: _____
CHECKED: _____
DATE: 2024

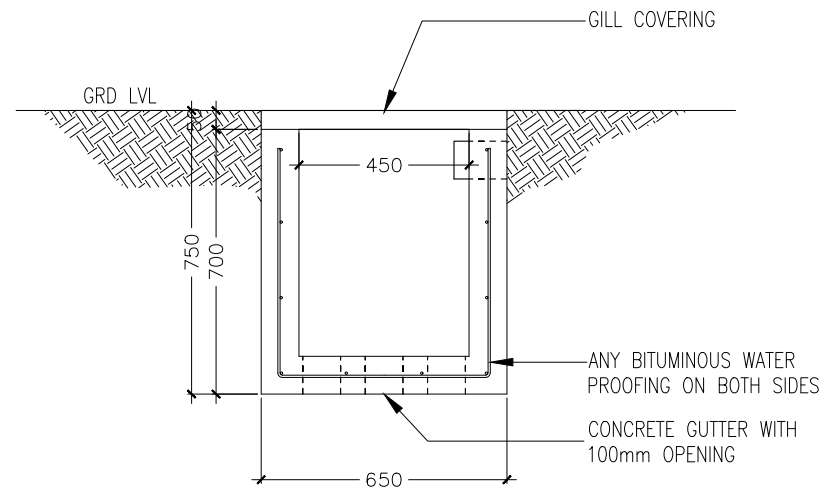
AMENDMENTS

Issue	Date	Description

DWG NO: A-01/01



FLOOR DRAIN AT GROUND FLOOR - PLAN
SCALE 1:20



GUTTER DETAILS - SECTION
SCALE 1:20

TURF GROUND FLOOR DRAIN DETAILS
SCALE 1:20



PROJECT :
**DHARUMAVANTHA SCHOOL
TURF GROUND**

PROJ. REF: _____

SCALE : AS GIVEN

ARCHITECT : _____

ENGINEER : _____

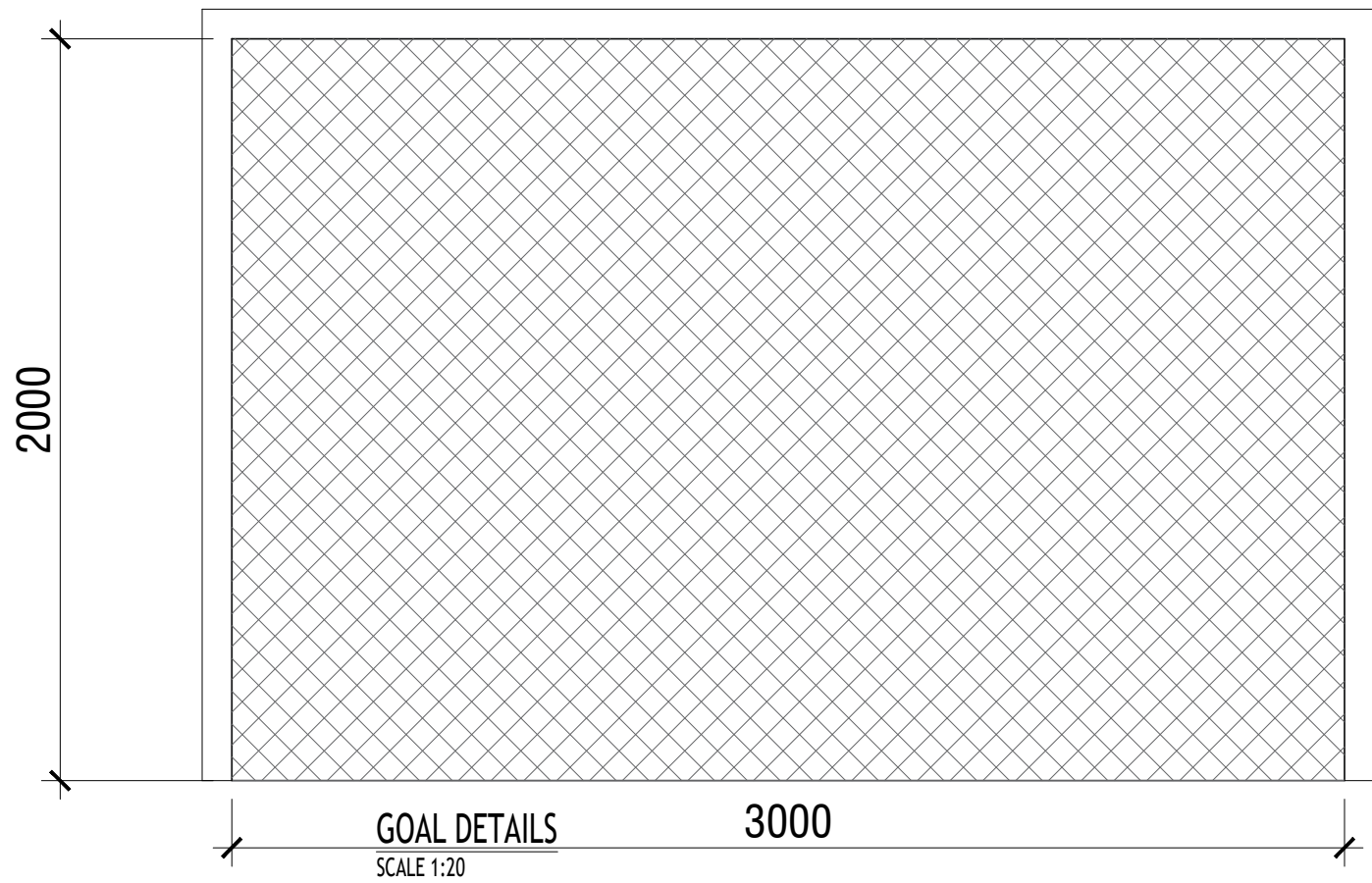
DRAWN : _____

CHECKED : _____

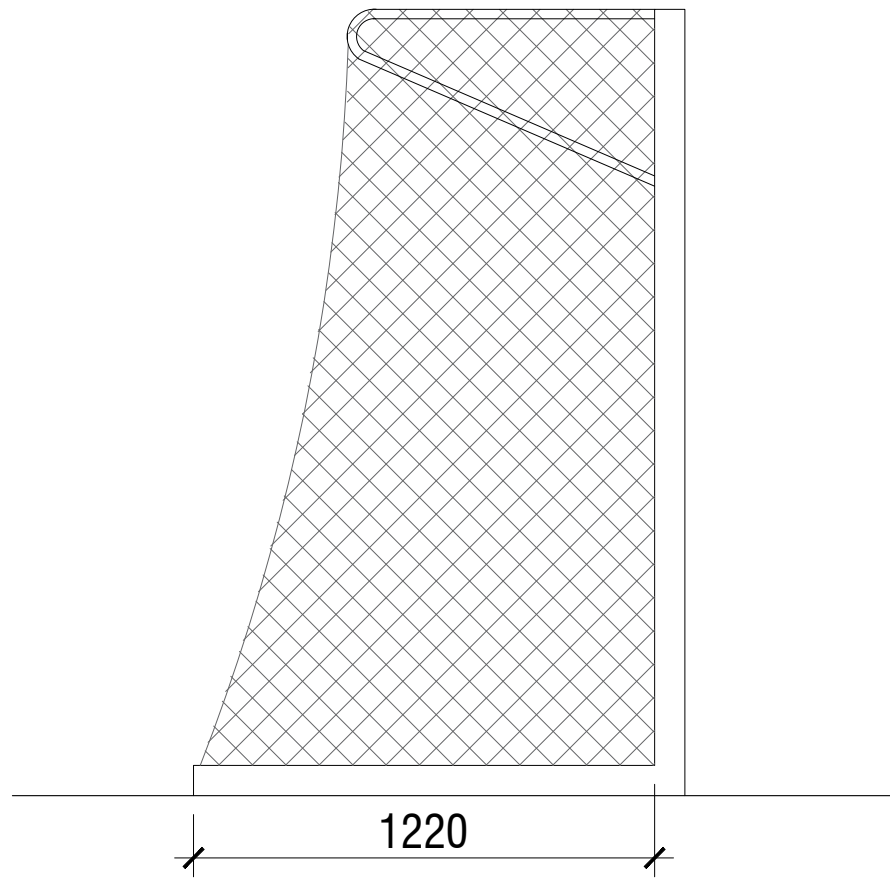
DATE : 2024

AMMENDMENTS		
Issue	Date	Description

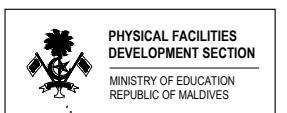
DWG NO : **A-01/01**



GOAL FRONT ELEVATION
SCALE 1:20



GOAL SIDE ELEVATION
SCALE 1:20



PHYSICAL FACILITIES
DEVELOPMENT SECTION
MINISTRY OF EDUCATION
REPUBLIC OF MALDIVES

PROJECT :
**DHARUMAVANTHA SCHOOL
TURF GROUND**

PROJ. REF: _____

SCALE : AS GIVEN

ARCHITECT : _____

ENGINEER : _____

DRAWN : _____

CHECKED : _____

DATE : 2024

AMMENDMENTS

Issue	Date	Description

DWG NO: **A-01/01**