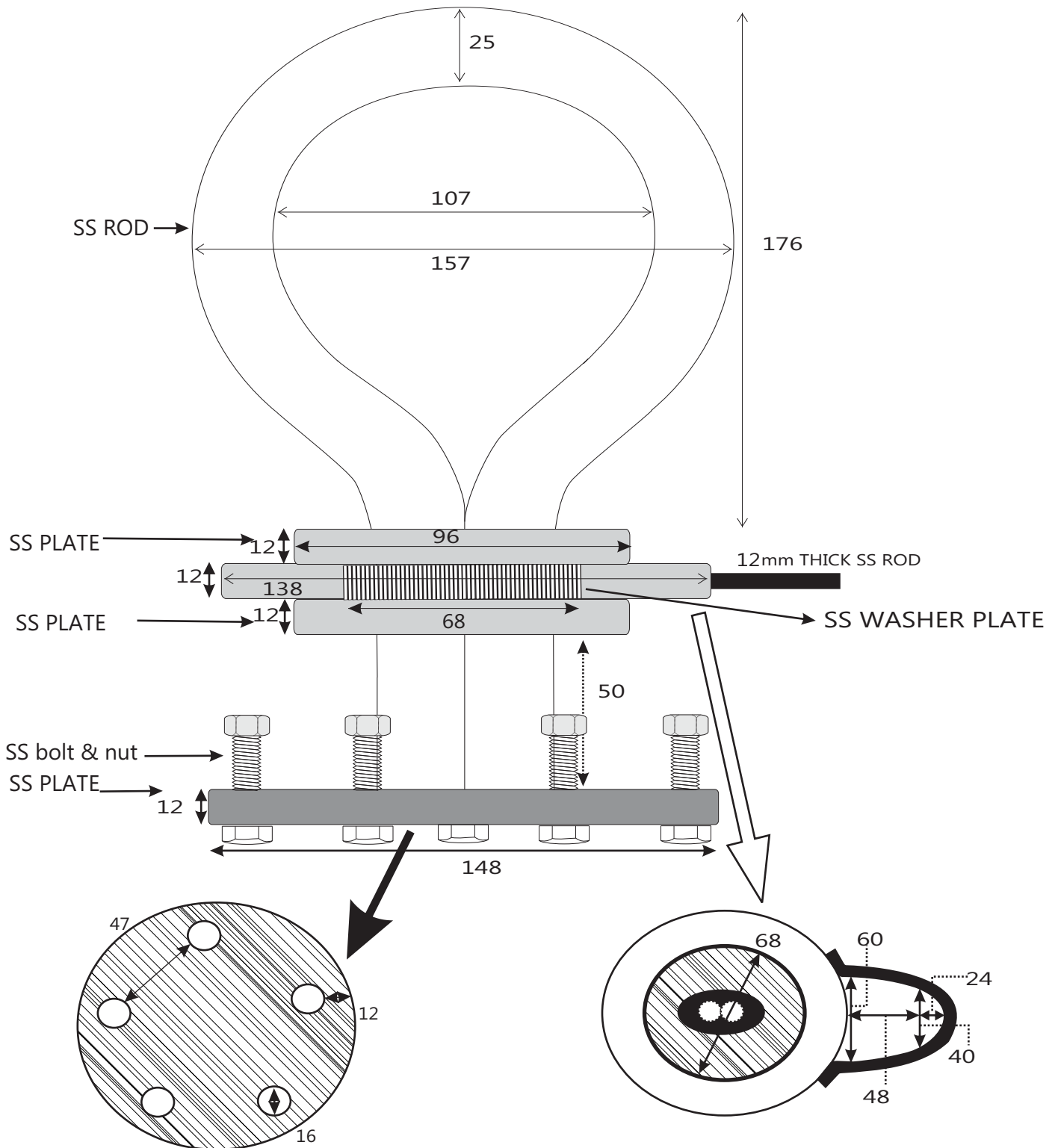


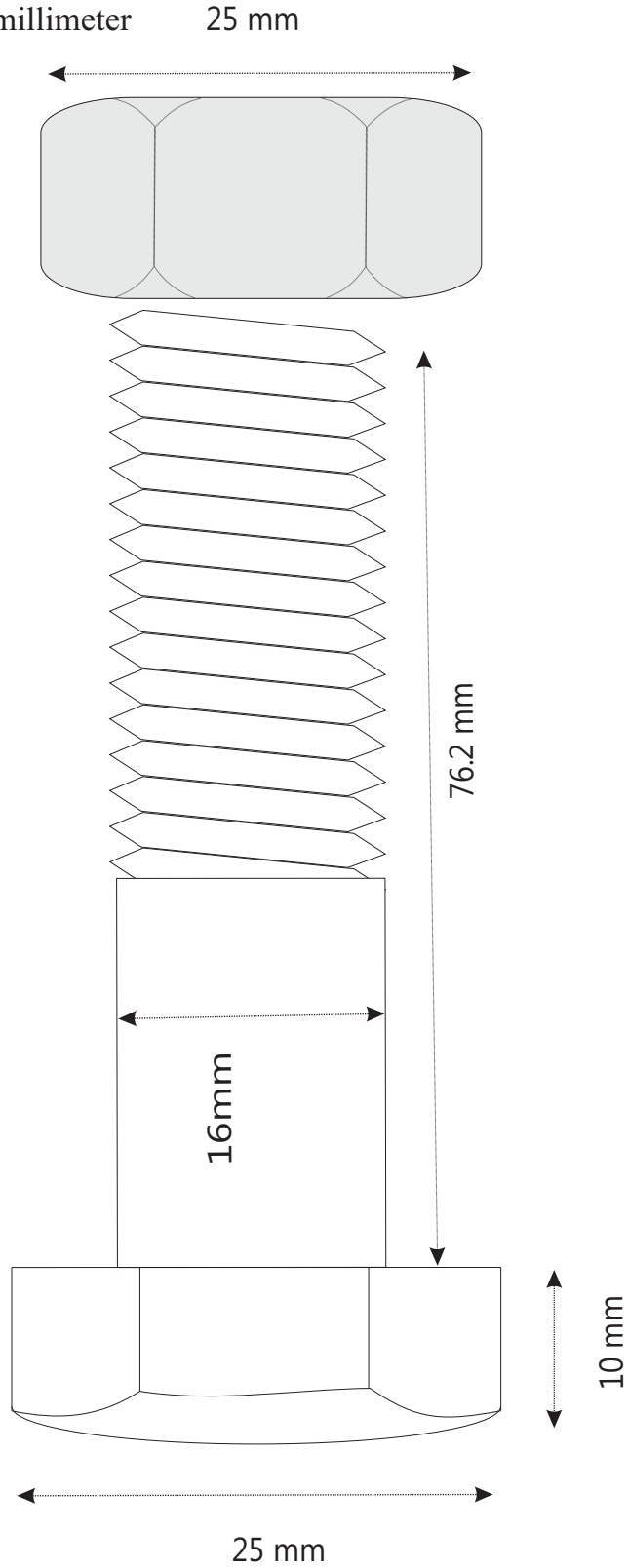
# S.S Mooring point

All measurements are in millimeter  
Diagram Are not to scale



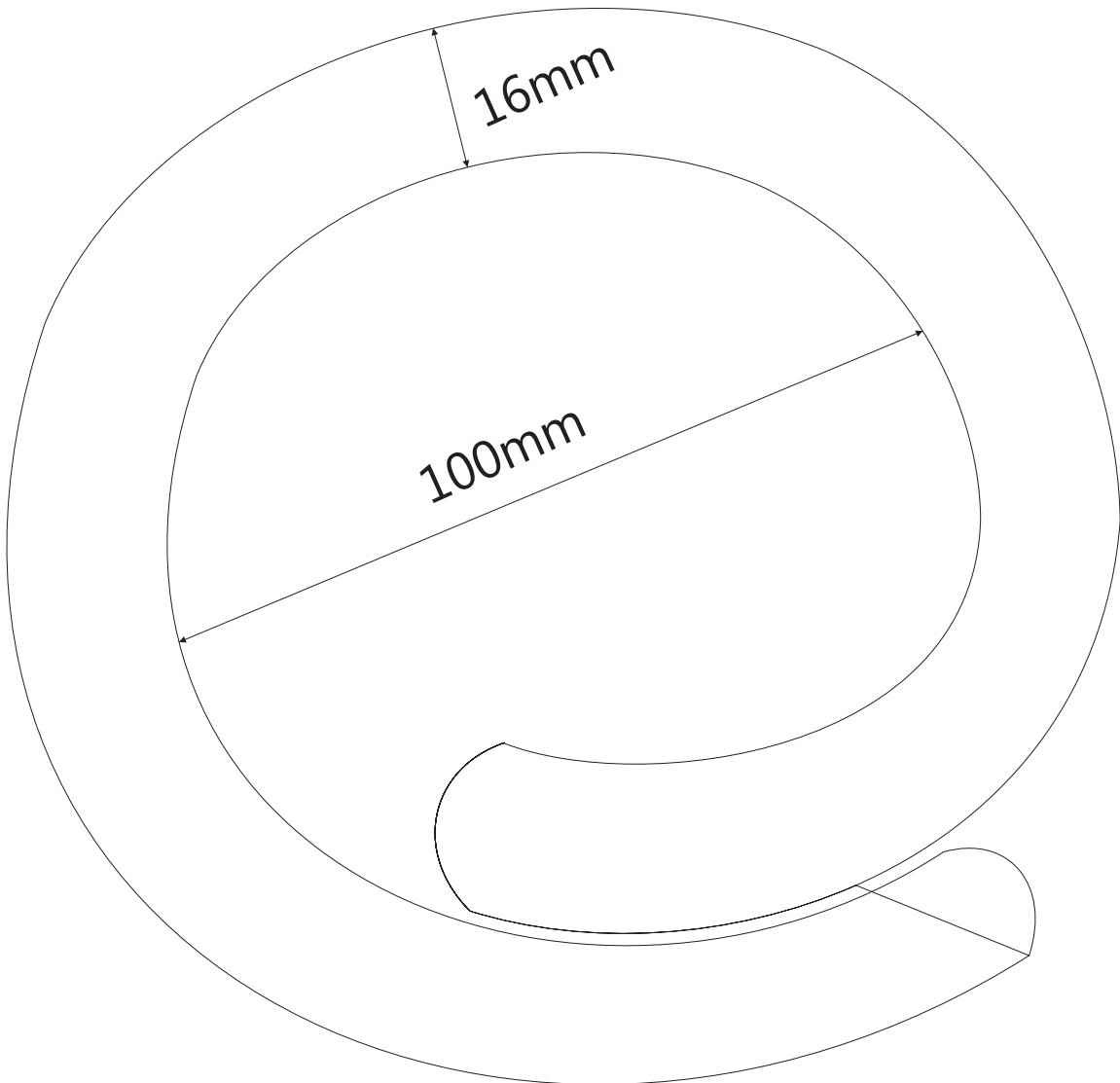
# S.S Mooring Bolt & Nut

All measurements are in millimeter  
Diagram Are not to scale



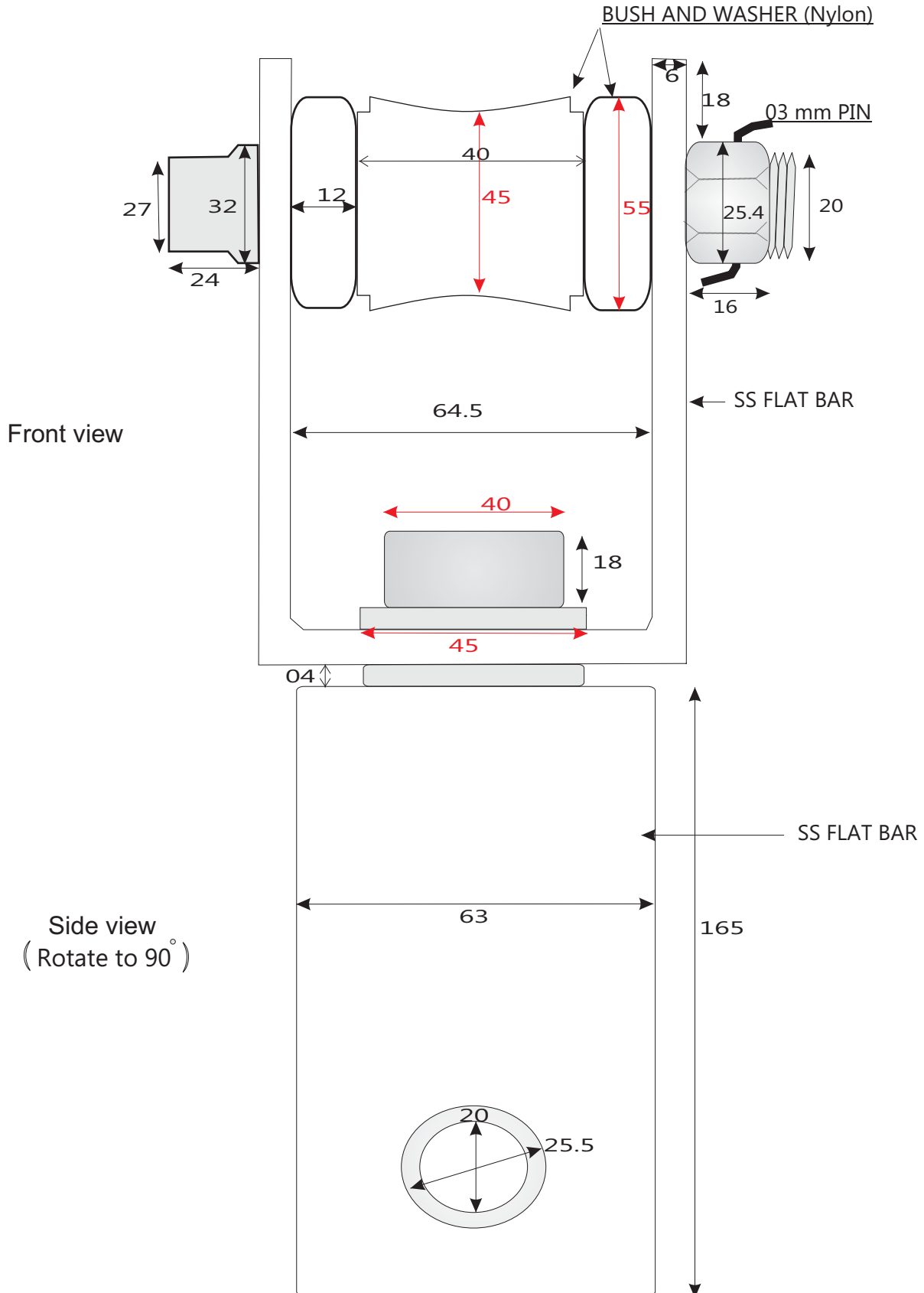
# S.S Ring

All measurements are in millimeter  
Diagram Are not to scale



# S.S Swivel

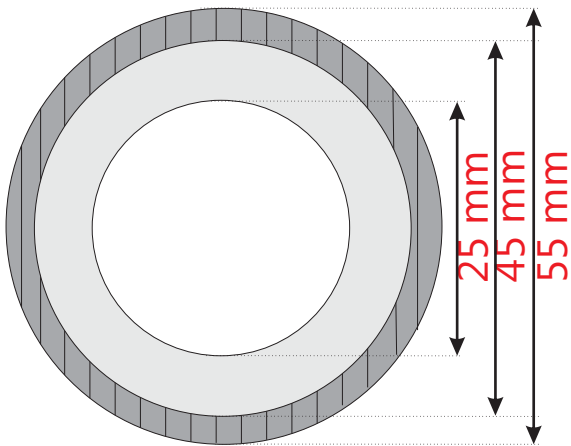
All measurements are in millimeter  
Diagram Are not to scale



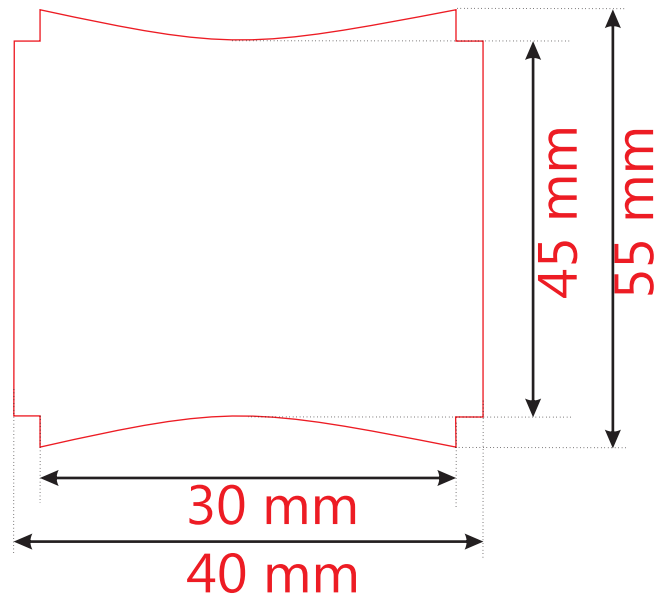
# Thimble Bush(Nylon)

All measurements are in millimeter

Diagram Are not to scale

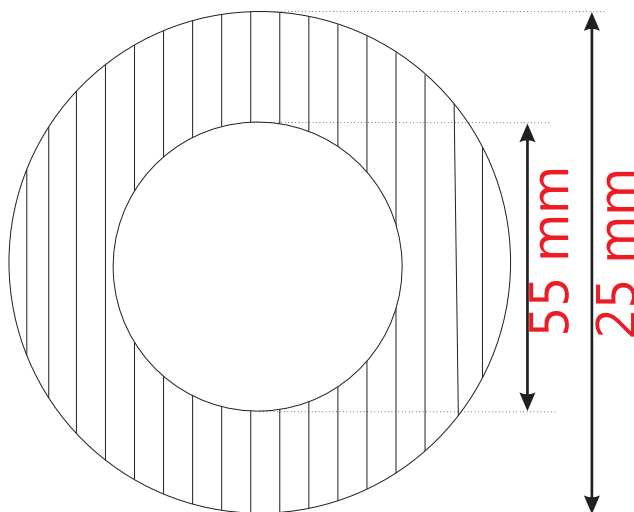


Cross section

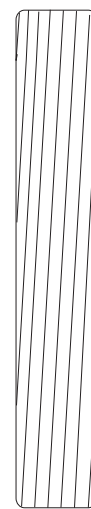


Side view

# Thimble washer(Nylon)



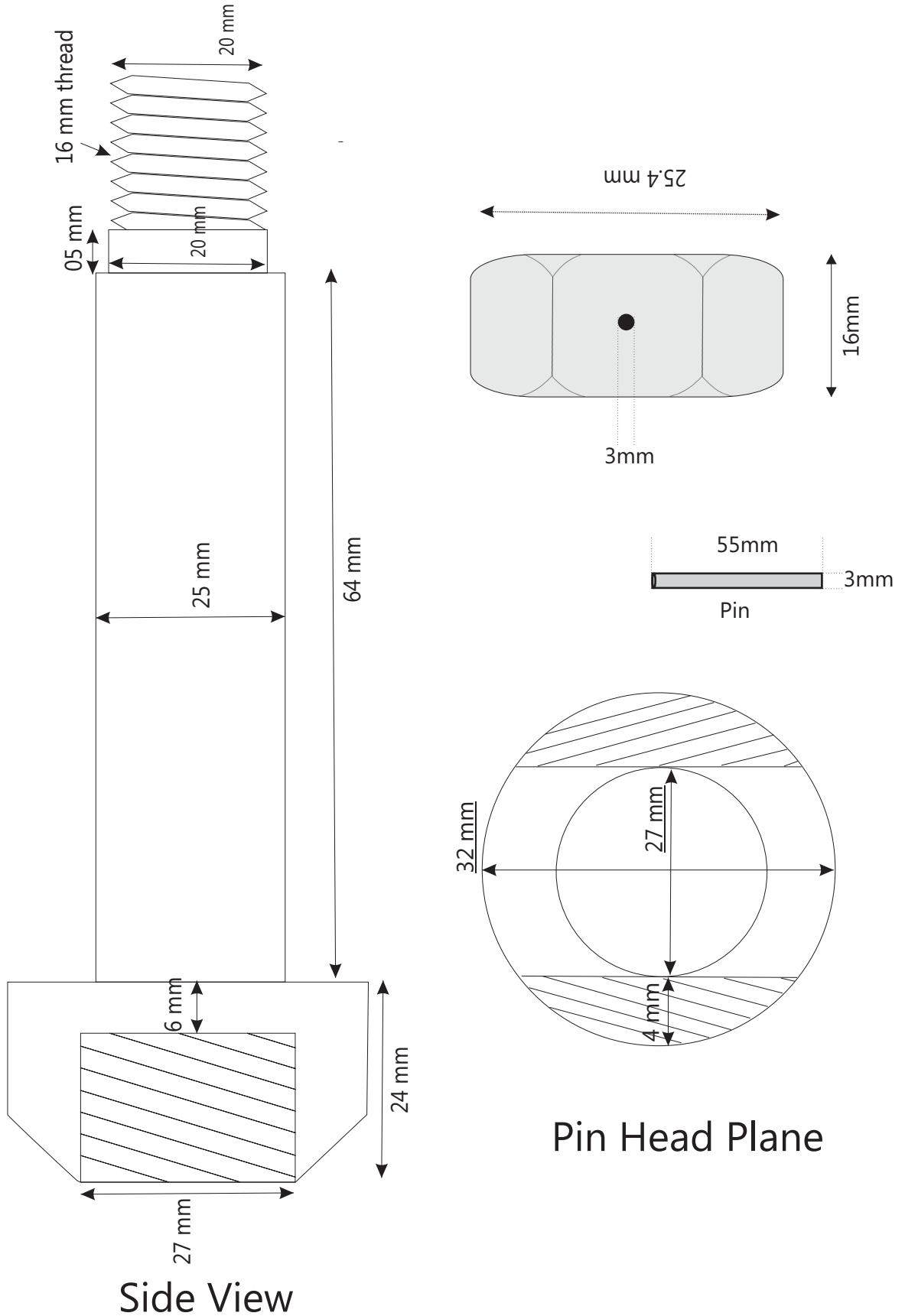
Cross section



Side view

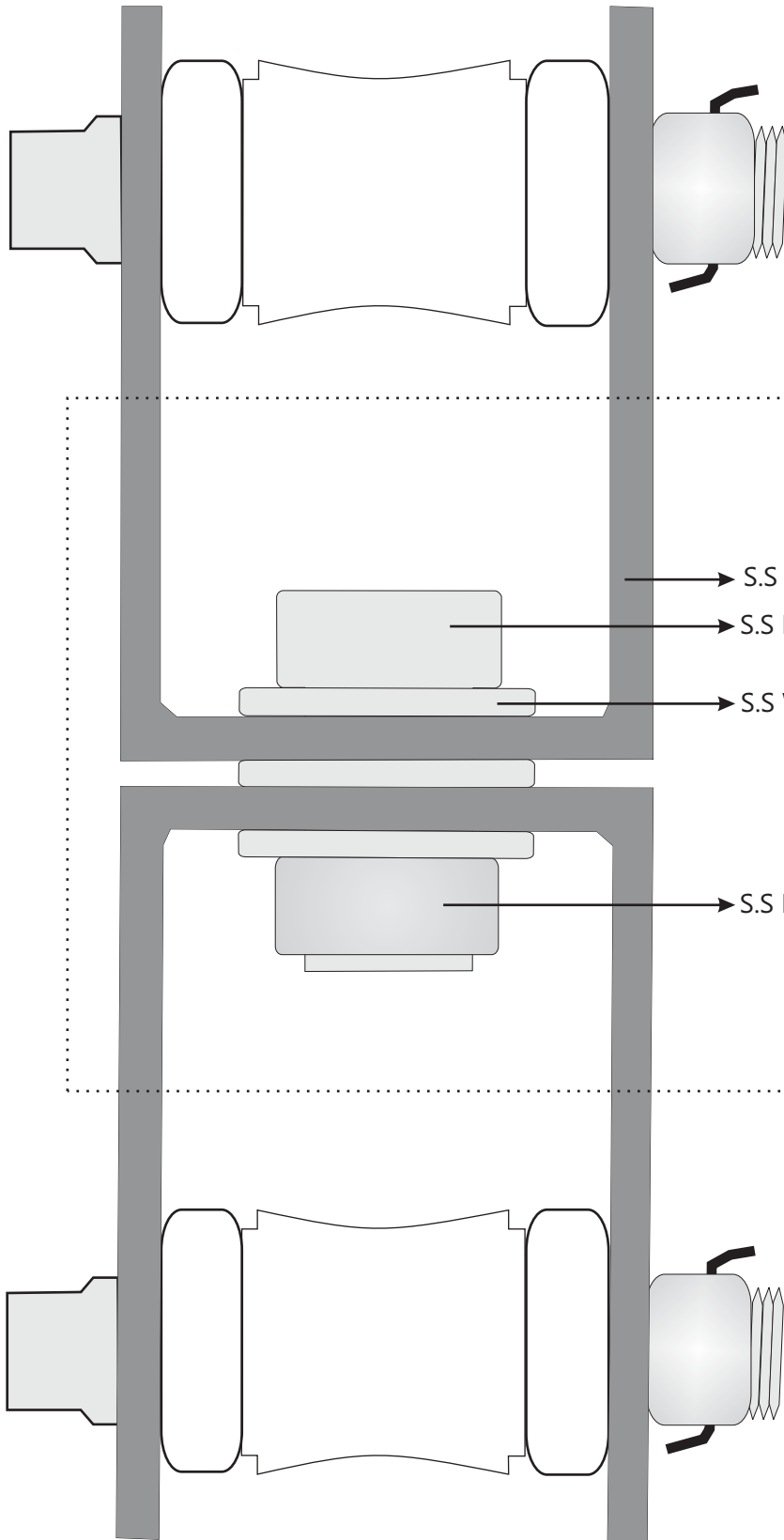
# Swivel Pin

All measurements are in millimeter  
Diagram Are not to scale



# S.S Swivel

All measurements are in millimeter  
Diagram Are not to scale



Details on Page 8.  
Diagram 01 to 05

Front view

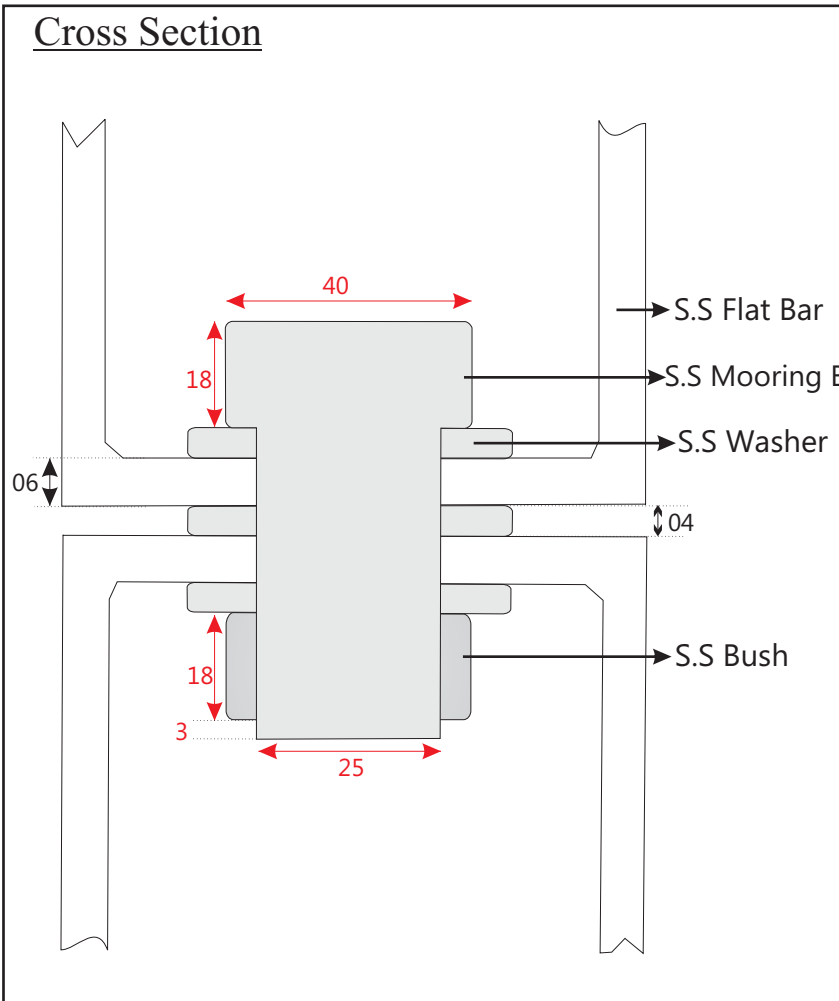


Diagram : 01

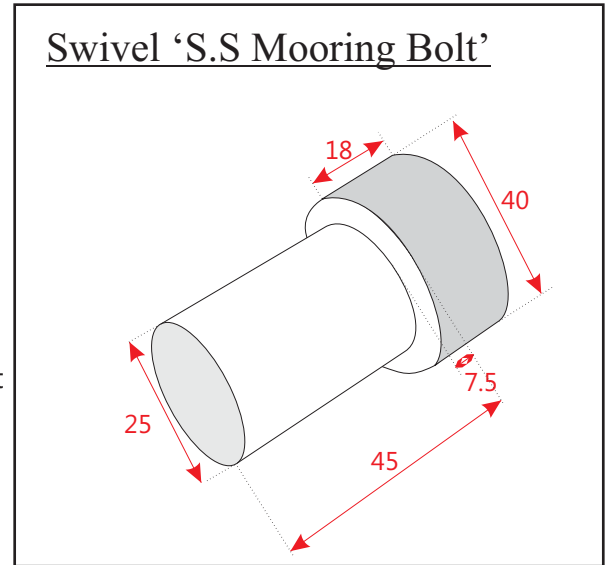


Diagram : 02

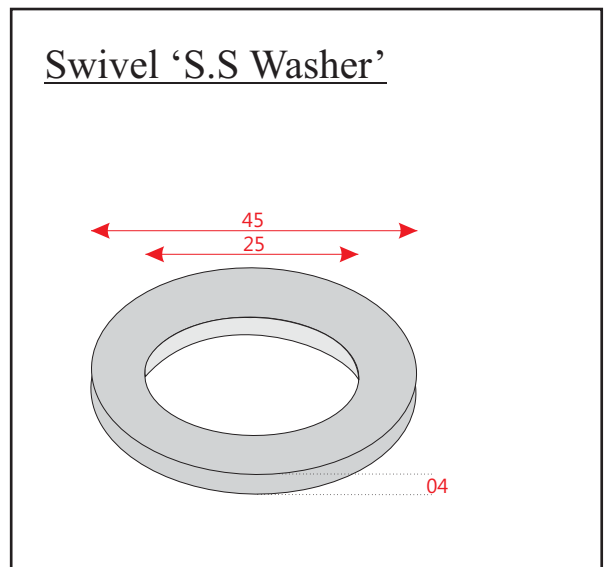


Diagram : 03

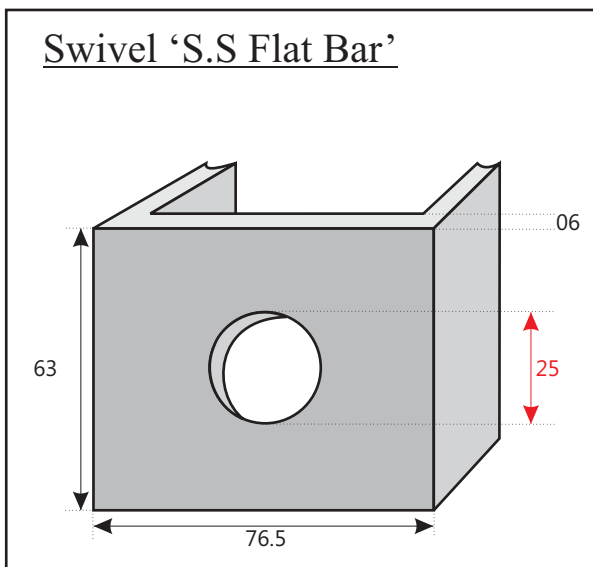


Diagram : 05

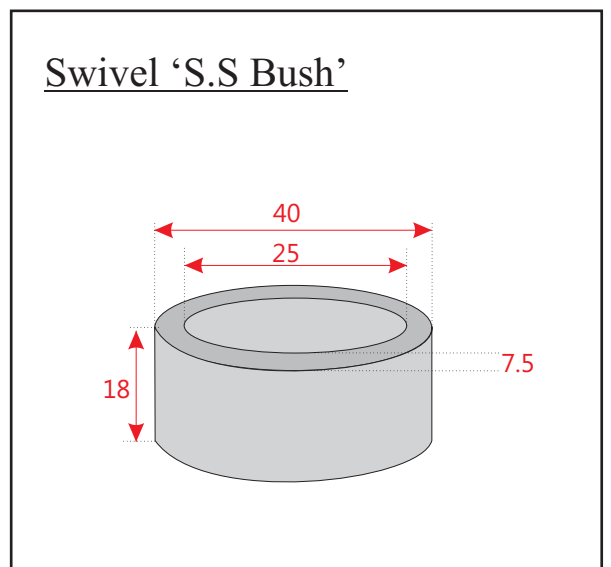


Diagram : 04