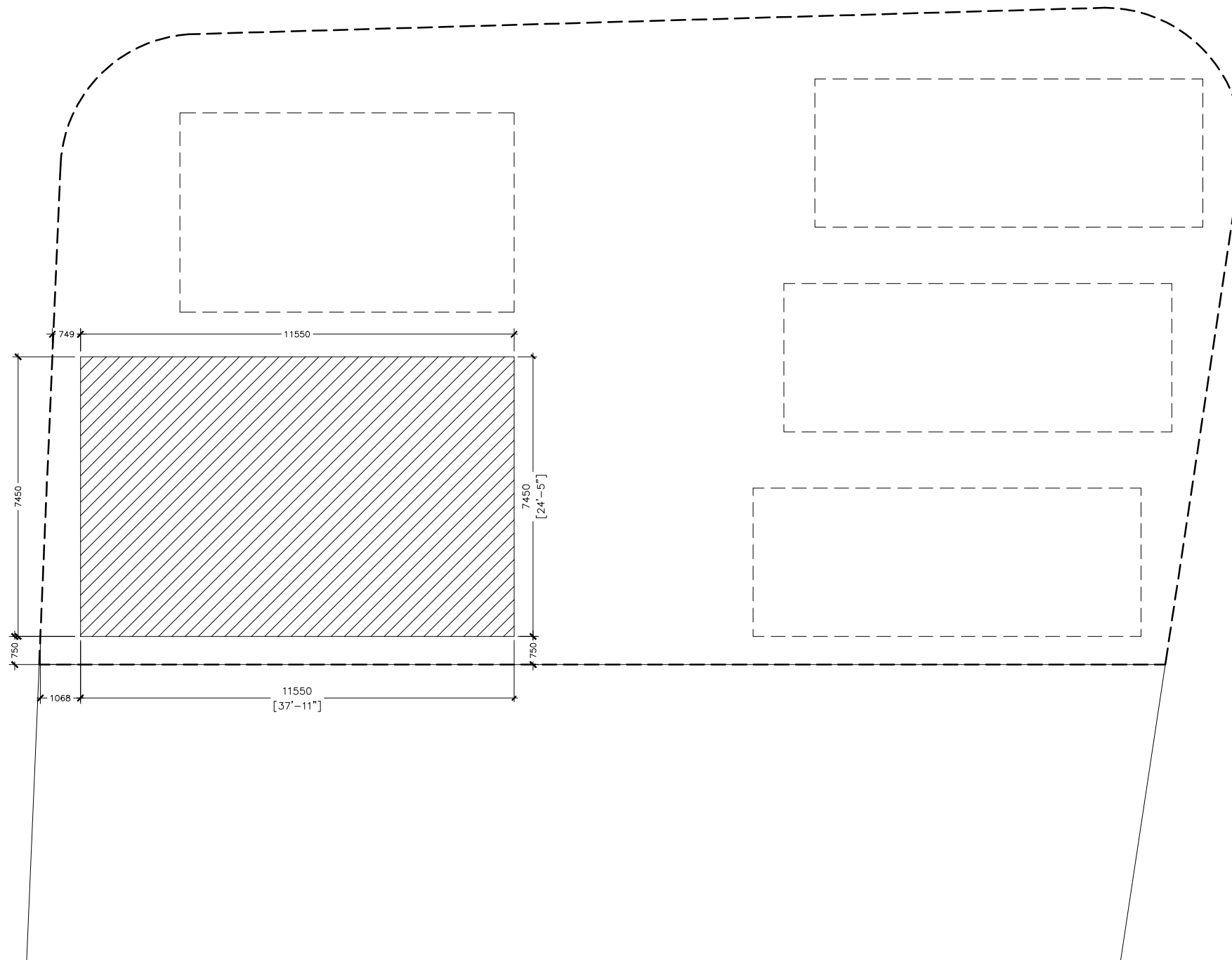


ROOM BLOCK



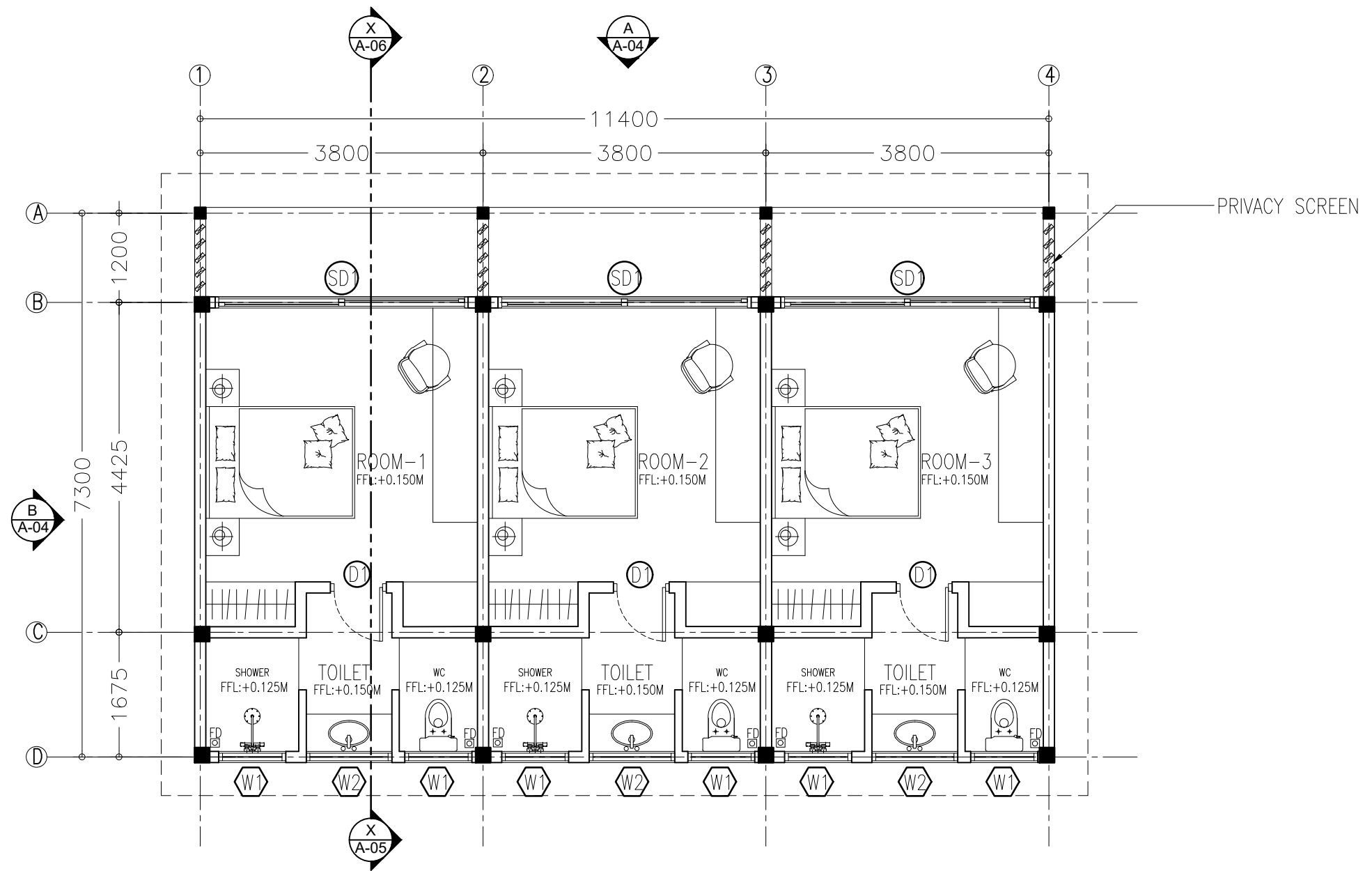

SITE PLAN
 SCALE 1:200

CONTRACTORS MUST CHECK ALL
 DIMENSIONS ON SITE BEFORE
 STARTING ANY WORK OR SHOP
 DRAWINGS, FIGURED DIMENSIONS
 TO TAKE PRECEDENCE OVER
 SCALE READINGS

REVISION:

ARCHITECT:	ASNADH & SAMAH
ENGINEER:	-
DESIGN & DRAWN BY:	ASNADH & SAMAH
CHECKED BY:	

PROJECT:	PROPOSED SINGLE STOREY GUEST HOUSE AT MAALHENDHOO HIYAA				
DRAWING TITLE:	AS GIVEN				
CLIENT:	N.MAALHENDHOO COUNCIL				
SCALE:	AS GIVEN	DIMENSION:	MM	DATE:	MAY 2022
DWG NO.	A-13	FILE NO.:	22-005		



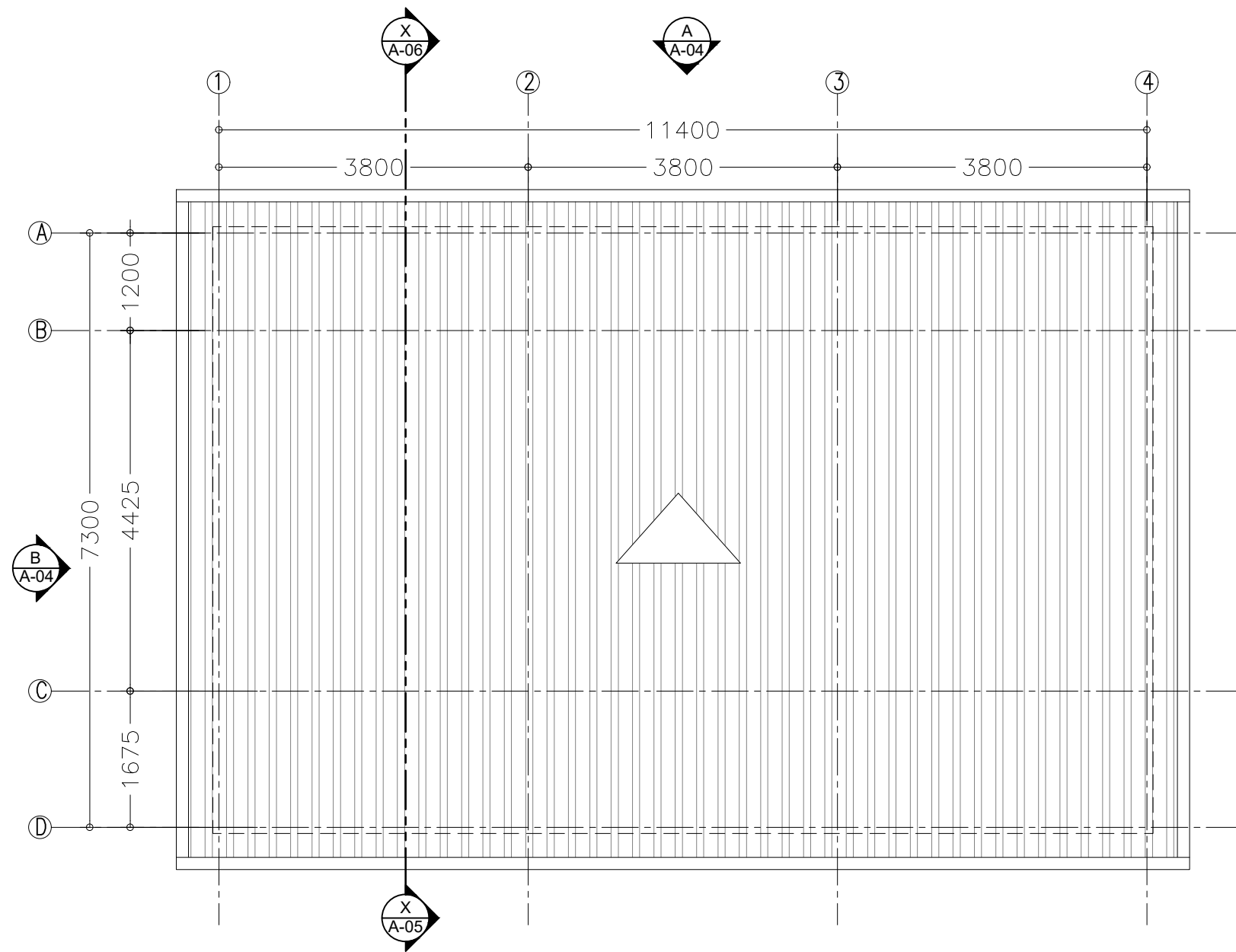

GROUND FLOOR PLAN
 SCALE 1:100

CONTRACTORS MUST CHECK ALL DIMENSIONS ON SITE BEFORE STARTING ANY WORK OR SHOP DRAWINGS, FIGURED DIMENSIONS TO TAKE PRECEDENCE OVER SCALE READINGS

REVISION:

ARCHITECT:	ASNADH & SAMAH
ENGINEER:	-
DESIGN & DRAWN BY:	ASNADH & SAMAH
CHECKED BY:	

PROJECT:	PROPOSED SINGLE STOREY GUEST HOUSE AT MAALHENDHOO HIYAA				
DRAWING TITLE:	AS GIVEN				
CLIENT:	N.MAALHENDHOO COUNCIL				
SCALE:	AS GIVEN	DIMENSION:	MM	DATE:	MAY 2022
DWG NO.:	A-14	FILE NO.:	22-005		



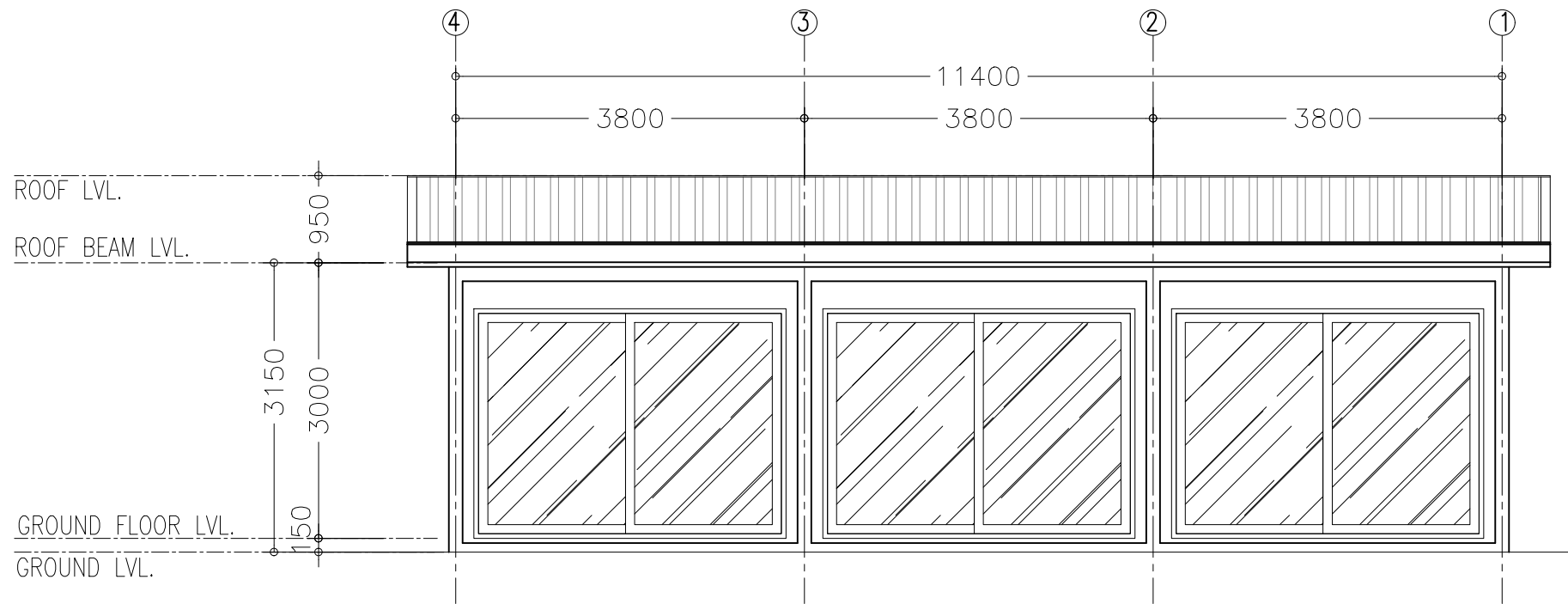

ROOF PLAN
 SCALE 1:100

CONTRACTORS MUST CHECK ALL
 DIMENSIONS ON SITE BEFORE
 STARTING ANY WORK OR SHOP
 DRAWINGS, FIGURED DIMENSIONS
 TO TAKE PRECEDENCE OVER
 SCALE READINGS

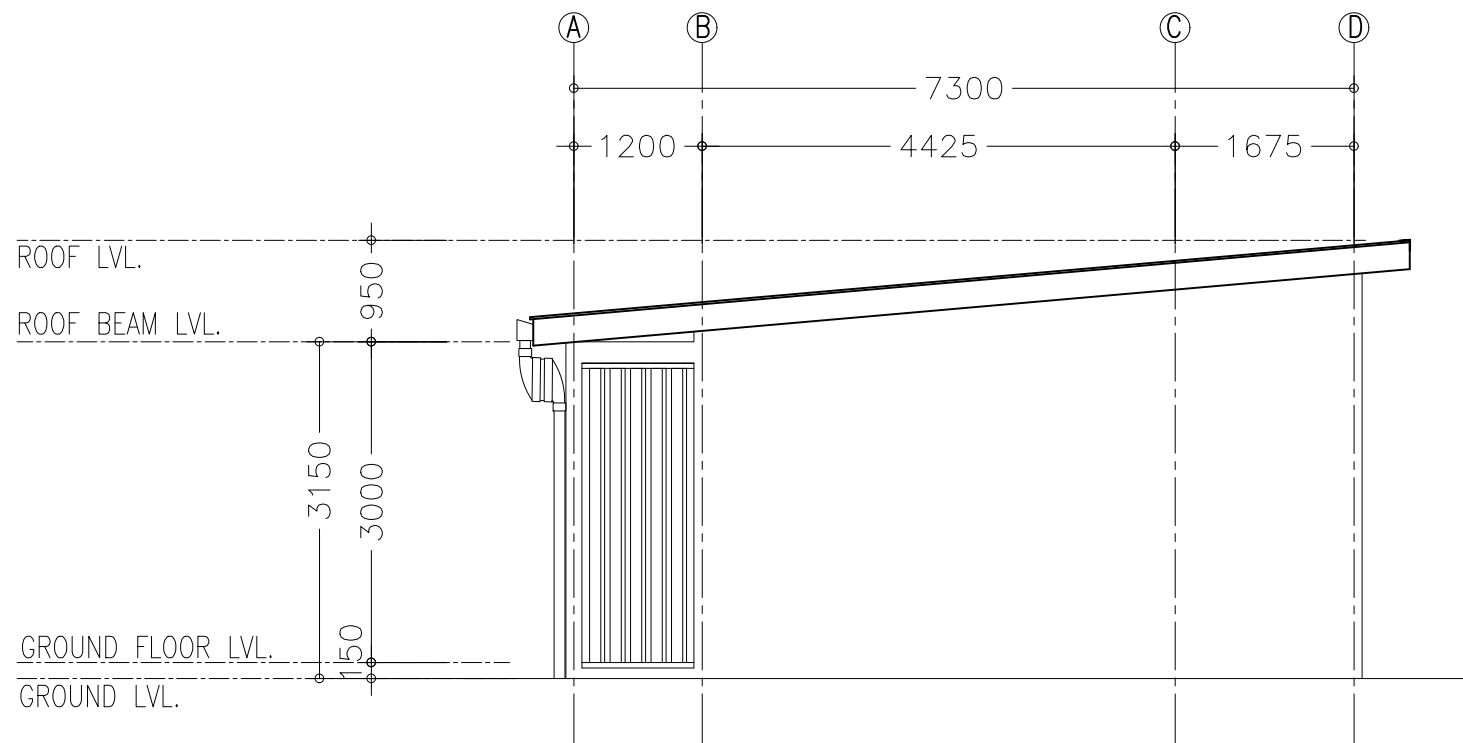
REVISION:

ARCHITECT:	ASNADH & SAMAH
ENGINEER:	-
DESIGN & DRAWN BY:	ASNADH & SAMAH
CHECKED BY:	

PROJECT:	PROPOSED SINGLE STOREY GUEST HOUSE AT MAALHENDHOO HIYAA				
DRAWING TITLE:	AS GIVEN				
CLIENT:	N.MAALHENDHOO COUNCIL				
SCALE:	AS GIVEN	DIMENSION:	MM	DATE:	MAY 2022
DWG NO.	A-15	FILE NO.:	22-005		



ELEVATION - A
SCALE 1:100



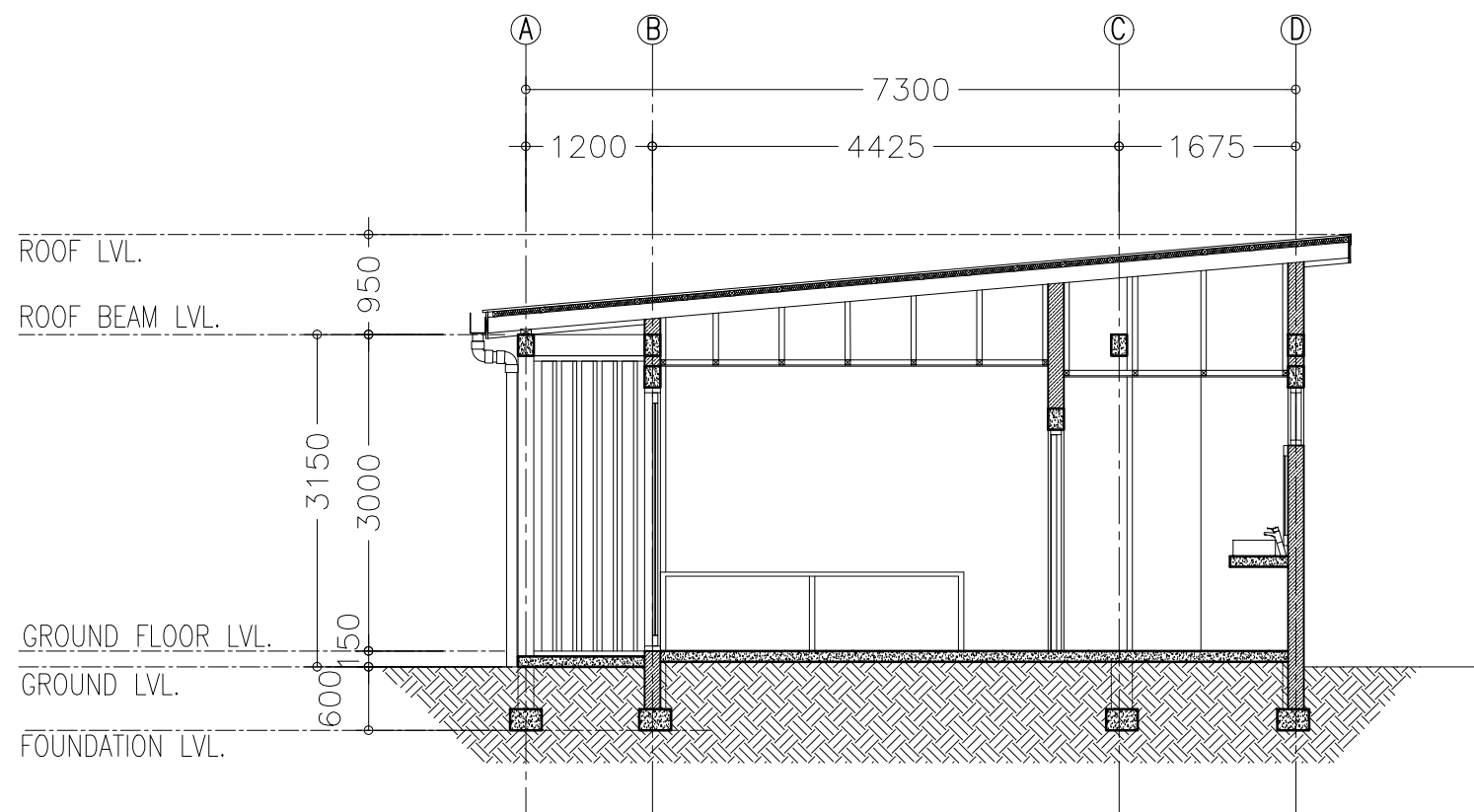
ELEVATION - B
SCALE 1:100

CONTRACTORS MUST CHECK ALL DIMENSIONS ON SITE BEFORE STARTING ANY WORK OR SHOP DRAWINGS, FIGURED DIMENSIONS TO TAKE PRECEDENCE OVER SCALE READINGS

REVISION:

ARCHITECT: ASNADH & SAMAH
ENGINEER: -
DESIGN & DRAWN BY: ASNADH & SAMAH
CHECKED BY: _____

PROJECT: PROPOSED SINGLE STOREY GUEST HOUSE AT MAALHENDHOO HIYAA
DRAWING TITLE: AS GIVEN
CLIENT: N.MAALHENDHOO COUNCIL
SCALE: AS GIVEN DIMENSION: MM DATE: MAY 2022 DWG NO. A-16 FILE NO.: 22-005



CONTRACTORS MUST CHECK ALL DIMENSIONS ON SITE BEFORE STARTING ANY WORK OR SHOP DRAWINGS, FIGURED DIMENSIONS TO TAKE PRECEDENCE OVER SCALE READINGS

REVISION:

ARCHITECT: ASNADH & SAMAH
 ENGINEER: -
 DESIGN & DRAWN BY: ASNADH & SAMAH
 CHECKED BY:

PROJECT: PROPOSED SINGLE STOREY GUEST HOUSE AT MAALHENDHOO HIYAA
 DRAWING TITLE: AS GIVEN
 CLIENT: N.MAALHENDHOO COUNCIL
 SCALE: AS GIVEN DIMENSION: MM DATE: MAY 2022 DWG NO. A-17 FILE NO.: 22-005

ELEVATIONS :				
	DR / WD NO.	D1	SD1	W1
DESCRIPTION :	40MM THICK OPENABLE READY MADE SOLID TIMBER DOOR PANELS	40MM X 100MM THICK TIMBER FRAMED SLIDING DOOR PANELS	ALUMINUM FRAMED WINDOW WITH WITH FIXED LOUVERS	ALUMINUM FRAMED FIXED WINDOW PANELS
FRAME :	120MM TIMBER FRAME	150MM TIMBER FRAME	80 MICRON WHITE POWDER COATED ALUMINIUM FRAME	80 MICRON WHITE POWDER COATED ALUMINIUM FRAME
HARDWARE :	01 NO. OPENABLE DOOR PANEL 04 NOS. HINGES 01 NO. LOCK	02 NOS. GLAZED SLIDE ABLE DOOR PANELS 01 NO. LOCK	01 NOS. WINDOW WITH FIXED LOUVERS	01 NOS. GLAZED FIXED WINDOW PANELS
GLAZING :	-	6MM THICK CLEAR GLASS	-	6MM THICK FORESTED GLASS

DOOR AND WINDOW SCHEDULE

SCALE 1:50

GENERAL NOTES:

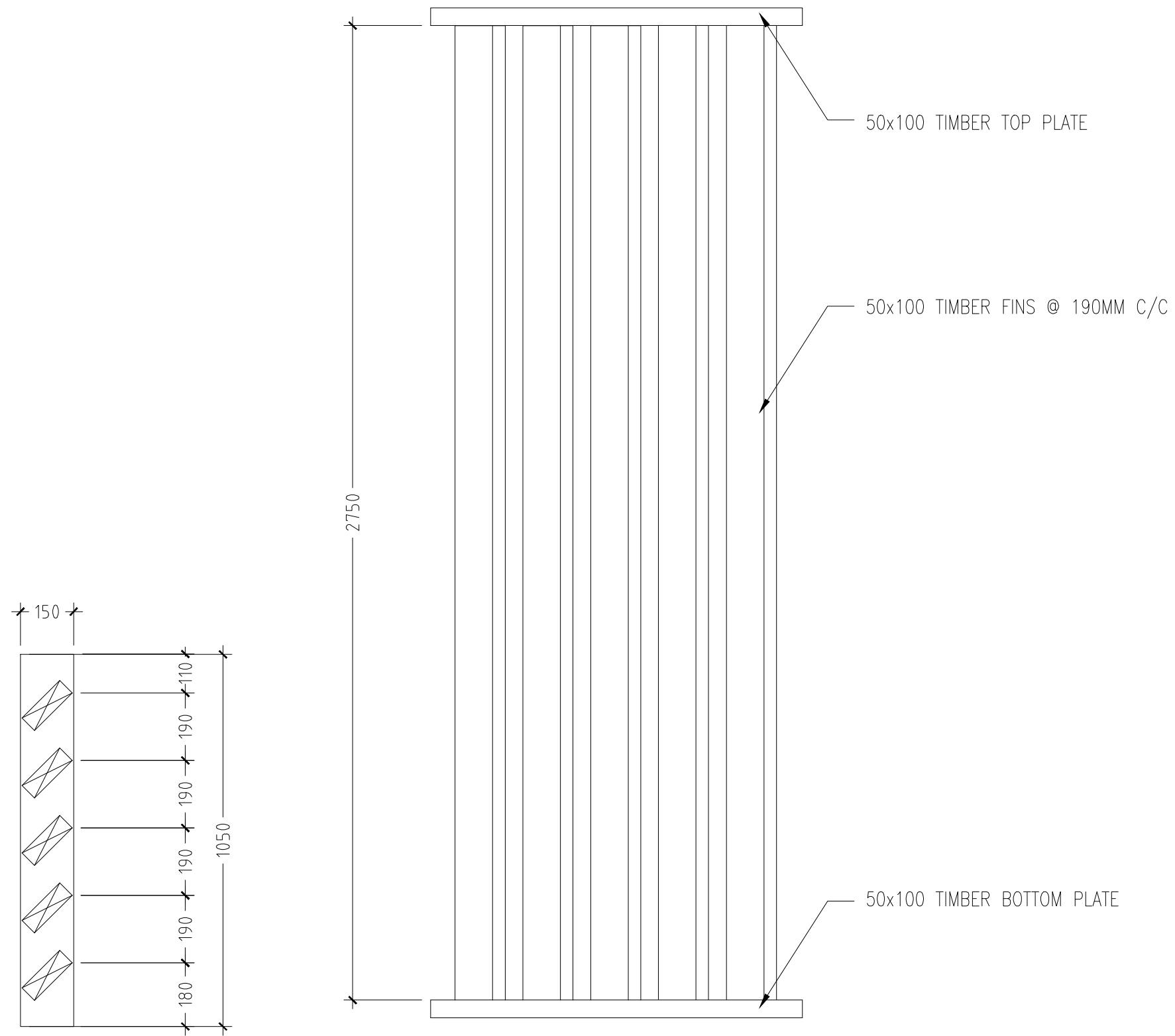
SHOP DRAWINGS FOR ALL DOORS AND WINDOWS SHALL BE PROVIDED SHOWING LOCATION AND TYPE OF IRONMONGERIES

ALL DIMENSIONS TO BE CHECKED ON SITE PRIOR TO FABRICATION

ALL TIMBER FOR WOODEN DOORS SHALL BE TREATED FOR THE USE IN INDOORS.

G: CLEAR GLAZING (6MM THK) IN PANEL
 FG: FIXED CLEAR GLAZING (6MM THK) IN FRAME
 FW: FIXED WOODEN PANEL (35MM THK)
 LV: ALUMINUM LOUVERS

CONTRACTORS MUST CHECK ALL DIMENSIONS ON SITE BEFORE STARTING ANY WORK OR SHOP DRAWINGS, FIGURED DIMENSIONS TO TAKE PRECEDENCE OVER SCALE READINGS	REVISION:	ARCHITECT: ASNADH & SAMAH	PROJECT: PROPOSED SINGLE STOREY GUEST HOUSE AT MAALHENDHOO HIYAA			
		ENGINEER: -	DRAWING TITLE: AS GIVEN			
		DESIGN & DRAWN BY: ASNADH & SAMAH	CLIENT: N.MAALHENDHOO COUNCIL			
		CHECKED BY:	SCALE: AS GIVEN	DIMENSION: MM	DATE: MAY 2022	DWG NO. A-18 FILE NO.: 22-005



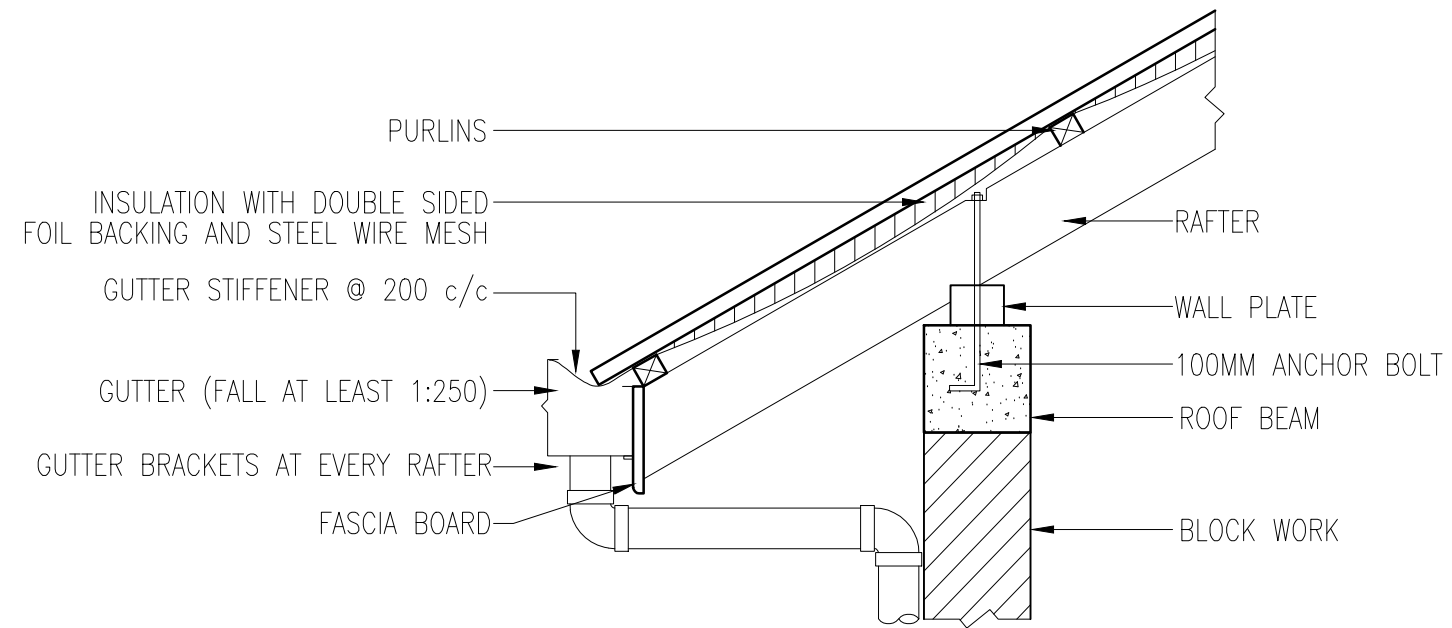
TIMBER PRIVACY SCREEN
SCALE 1:20

CONTRACTORS MUST CHECK ALL DIMENSIONS ON SITE BEFORE STARTING ANY WORK OR SHOP DRAWINGS, FIGURED DIMENSIONS TO TAKE PRECEDENCE OVER SCALE READINGS

REVISION:

ARCHITECT:	ASNADH & SAMAH
ENGINEER:	-
DESIGN & DRAWN BY:	ASNADH & SAMAH
CHECKED BY:	

PROJECT: PROPOSED SINGLE STOREY GUEST HOUSE AT MAALHENDHOO HIYAA				
DRAWING TITLE: AS GIVEN				
CLIENT: N.MAALHENDHOO COUNCIL				
SCALE: AS GIVEN	DIMENSION: MM	DATE: MAY 2022	DWG NO. A-19	FILE NO.: 22-005



TYPICAL ROOF DETAIL

SCALE 1:20

CONTRACTORS MUST CHECK ALL DIMENSIONS ON SITE BEFORE STARTING ANY WORK OR SHOP DRAWINGS, FIGURED DIMENSIONS TO TAKE PRECEDENCE OVER SCALE READINGS

REVISION:

ARCHITECT: ASNADH & SAMAH

PROJECT: PROPOSED SINGLE STOREY GUEST HOUSE AT MAALHENDHOO HIYAA

ENGINEER: -

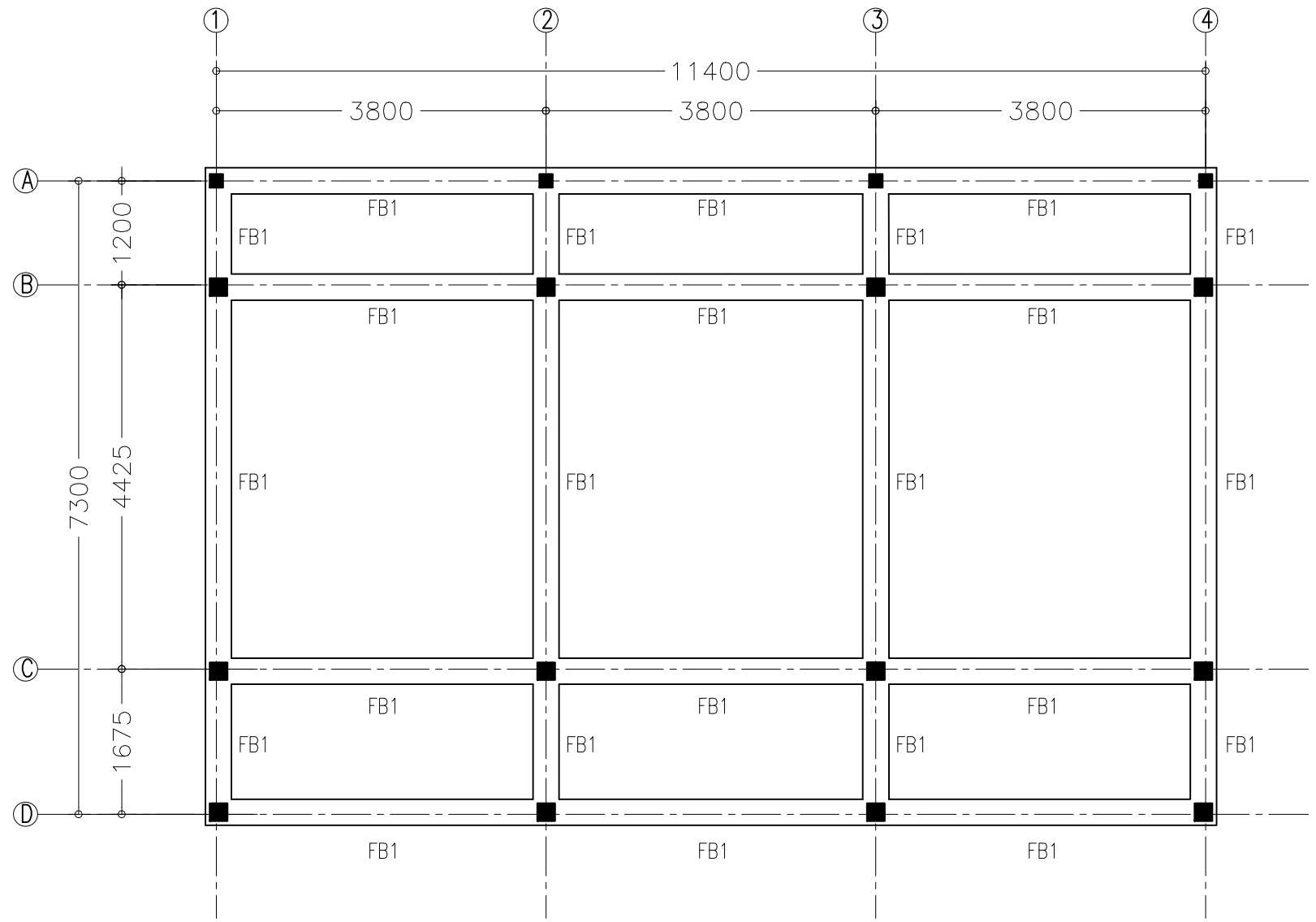
DRAWING TITLE: AS GIVEN

DESIGN & DRAWN BY: ASNADH & SAMAH

CLIENT: N.MAALHENDHOO COUNCIL

CHECKED BY:

SCALE: AS GIVEN | DIMENSION: MM | DATE: MAY 2022 | DWG NO. A-20 | FILE NO.: 22-005




FOUNDATION PLAN
 SCALE 1:100

CONTRACTORS MUST CHECK ALL DIMENSIONS ON SITE BEFORE STARTING ANY WORK OR SHOP DRAWINGS, FIGURED DIMENSIONS TO TAKE PRECEDENCE OVER SCALE READINGS

REVISION:

ARCHITECT: ASNADH & SAMAH

ENGINEER: -

DESIGN & DRAWN BY: ASNADH & SAMAH

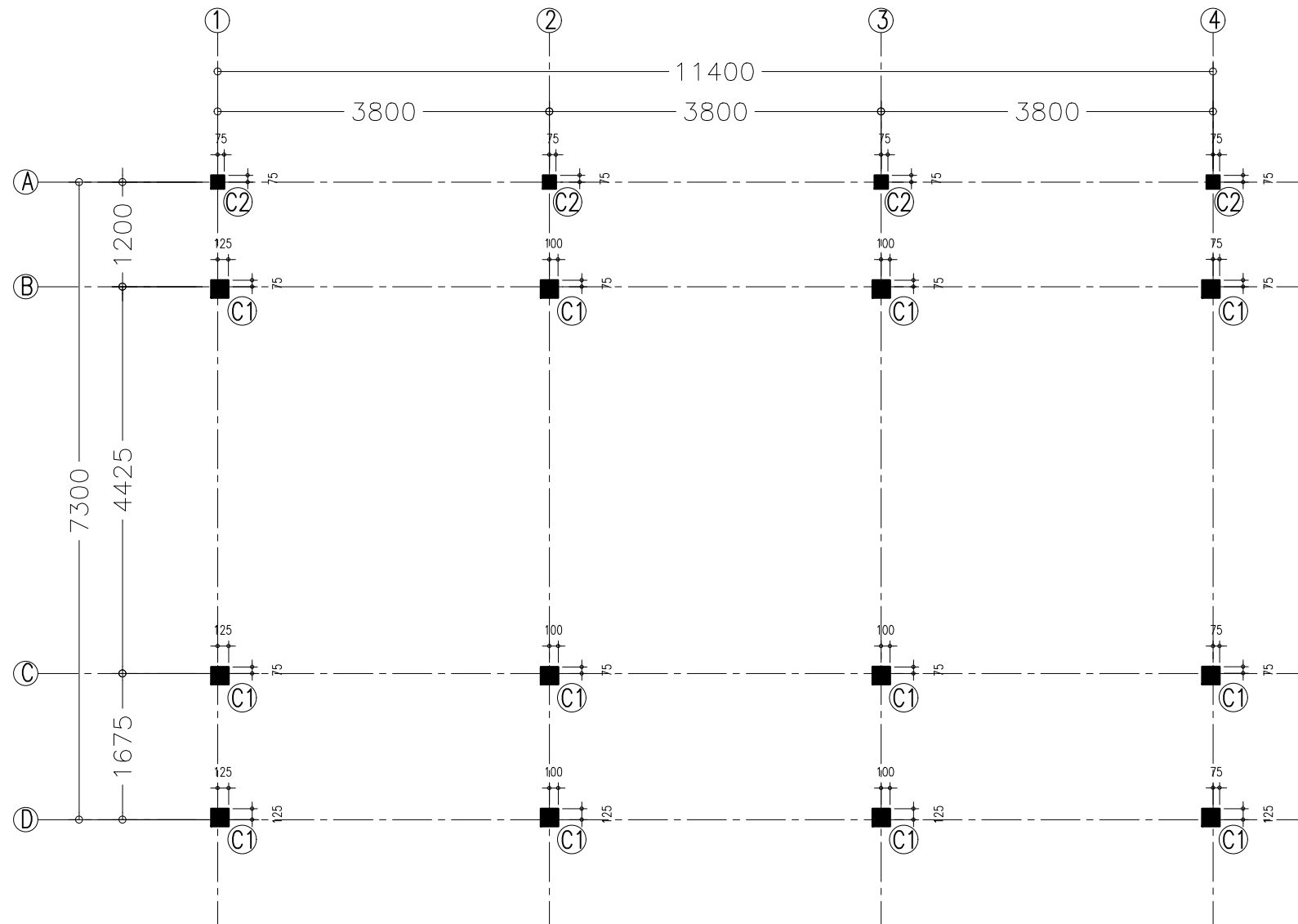
CHECKED BY:

PROJECT: PROPOSED SINGLE STOREY GUEST HOUSE AT MAALHENDHOO HIYAA

DRAWING TITLE: AS GIVEN

CLIENT: N.MAALHENDHOO COUNCIL

SCALE: AS GIVEN	DIMENSION: MM	DATE: MAY 2022	DWG NO. S-01	FILE NO.: 22-005
-----------------	---------------	----------------	--------------	------------------



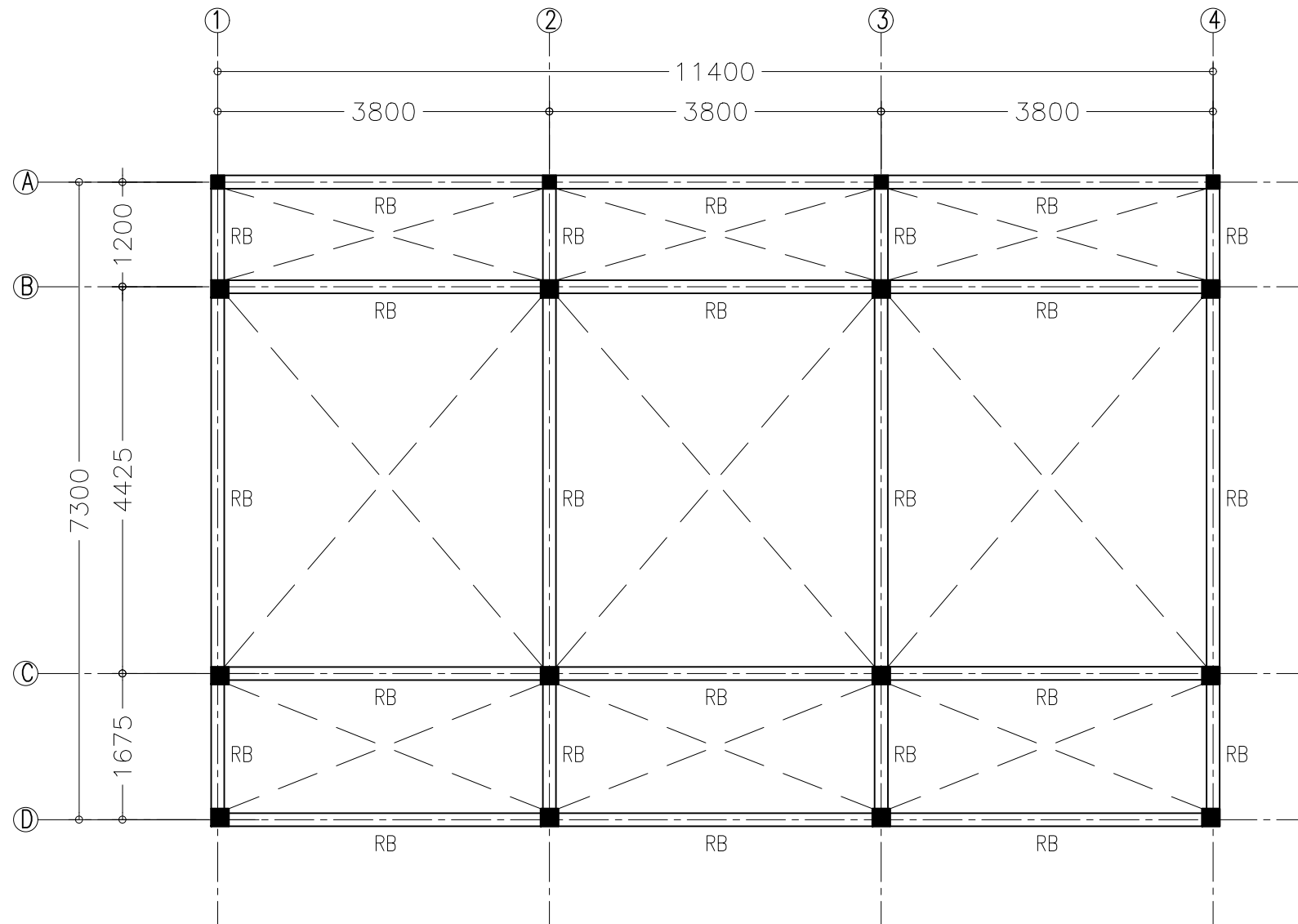

COLUMN SETTING PLAN
 SCALE 1:100

CONTRACTORS MUST CHECK ALL DIMENSIONS ON SITE BEFORE STARTING ANY WORK OR SHOP DRAWINGS, FIGURED DIMENSIONS TO TAKE PRECEDENCE OVER SCALE READINGS

REVISION:

ARCHITECT: ASNADH & SAMAH
 ENGINEER: -
 DESIGN & DRAWN BY: ASNADH & SAMAH
 CHECKED BY:

PROJECT: PROPOSED SINGLE STOREY GUEST HOUSE AT MAALHENDHOO HIYAA
 DRAWING TITLE: AS GIVEN
 CLIENT: N.MAALHENDHOO COUNCIL
 SCALE: AS GIVEN DIMENSION: MM DATE: MAY 2022 DWG NO. S-02 FILE NO.: 22-005



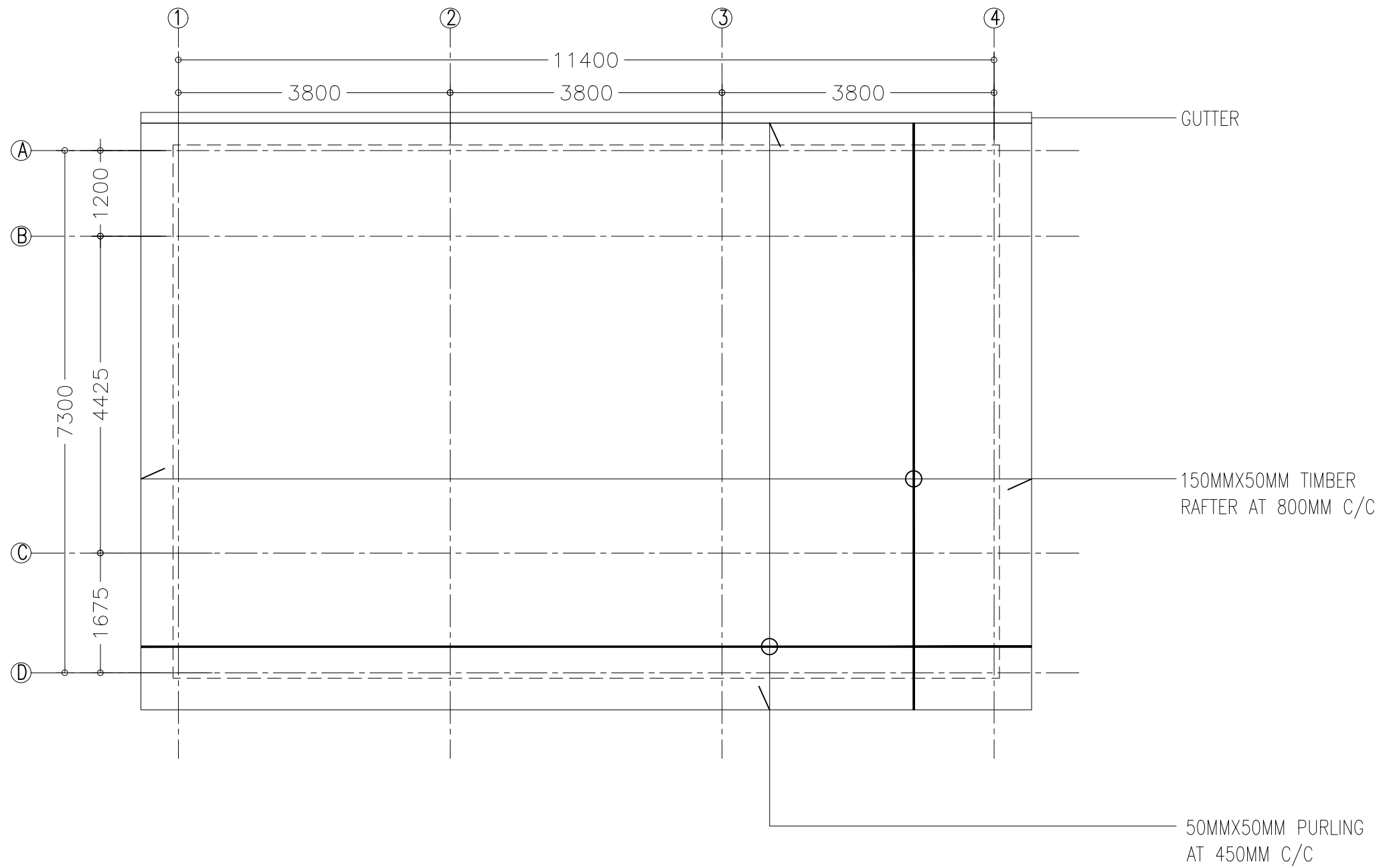

ROOF BEAM PLAN
 SCALE 1:100

CONTRACTORS MUST CHECK ALL DIMENSIONS ON SITE BEFORE STARTING ANY WORK OR SHOP DRAWINGS, FIGURED DIMENSIONS TO TAKE PRECEDENCE OVER SCALE READINGS

REVISION:

ARCHITECT:	ASNADH & SAMAH
ENGINEER:	-
DESIGN & DRAWN BY:	ASNADH & SAMAH
CHECKED BY:	

PROJECT:	PROPOSED SINGLE STOREY GUEST HOUSE AT MAALHENDHOO HIYAA			
DRAWING TITLE:	AS GIVEN			
CLIENT:	N.MAALHENDHOO COUNCIL			
SCALE:	DIMENSION:	DATE:	DWG NO.	FILE NO.:
AS GIVEN	MM	MAY 2022	S-03	22-005



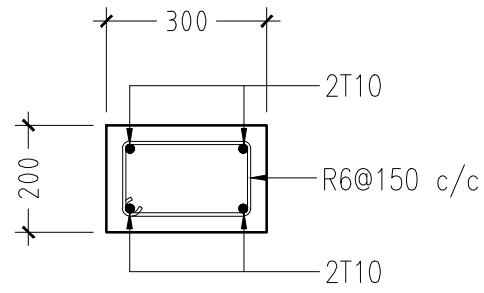
⊙ ROOF STRUCTURE
SCALE 1:100

CONTRACTORS MUST CHECK ALL DIMENSIONS ON SITE BEFORE STARTING ANY WORK OR SHOP DRAWINGS, FIGURED DIMENSIONS TO TAKE PRECEDENCE OVER SCALE READINGS

REVISION:

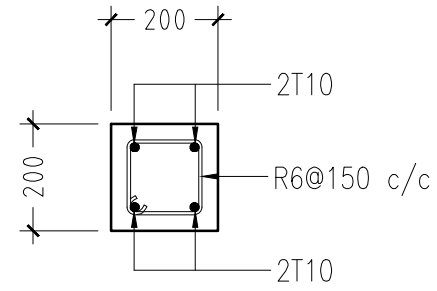
ARCHITECT:	ASNADH & SAMAH
ENGINEER:	-
DESIGN & DRAWN BY:	ASNADH & SAMAH
CHECKED BY:	

PROJECT:	PROPOSED SINGLE STOREY GUEST HOUSE AT MAALHENDHOO HIYAA				
DRAWING TITLE:	AS GIVEN				
CLIENT:	N.MAALHENDHOO COUNCIL				
SCALE:	AS GIVEN	DIMENSION:	MM	DATE:	MAY 2022
DWG NO.:	S-04	FILE NO.:	22-005		



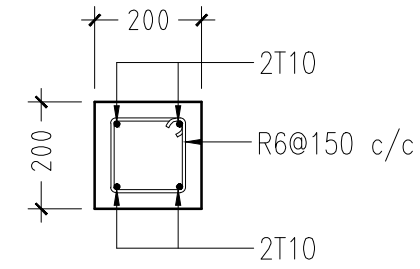
FB1

FOUNDATION BEAM



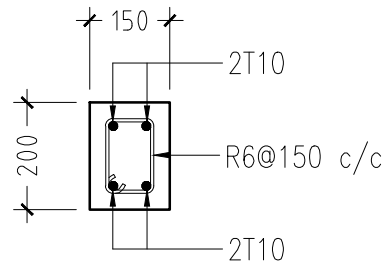
FB2

FOUNDATION BEAM

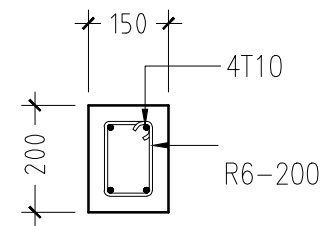


C1

COLUMN



ROOF BEAM



LINTEL/SILL BEAM DETAIL

LINTELS OVER ALL DOORS, WINDOWS,
(THAT DO NOT RISE TO ROOF BEAM LEVEL)
STRUCTURAL OPENINGS IN WALLS

CONTRACTORS MUST CHECK ALL DIMENSIONS ON SITE BEFORE STARTING ANY WORK OR SHOP DRAWINGS, FIGURED DIMENSIONS TO TAKE PRECEDENCE OVER SCALE READINGS

REVISION:

ARCHITECT:	ASNADH & SAMAH
ENGINEER:	-
DESIGN & DRAWN BY:	ASNADH & SAMAH
CHECKED BY:	

PROJECT: PROPOSED SINGLE STOREY GUEST HOUSE AT MAALHENDHOO HIYAA				
DRAWING TITLE: AS GIVEN				
CLIENT: N.MAALHENDHOO COUNCIL				
SCALE: AS GIVEN	DIMENSION: MM	DATE: MAY 2022	DWG NO. S-05	FILE NO.: 22-005

