

MALDIVES POLYTECHNIC - MALE CAMPUS PROPOSED LIFT INSTALLATION

Date : AUGUST 2023

Prepared By:





MALE MAP



LOCATION OF MALDIVES POLYTECHNIC

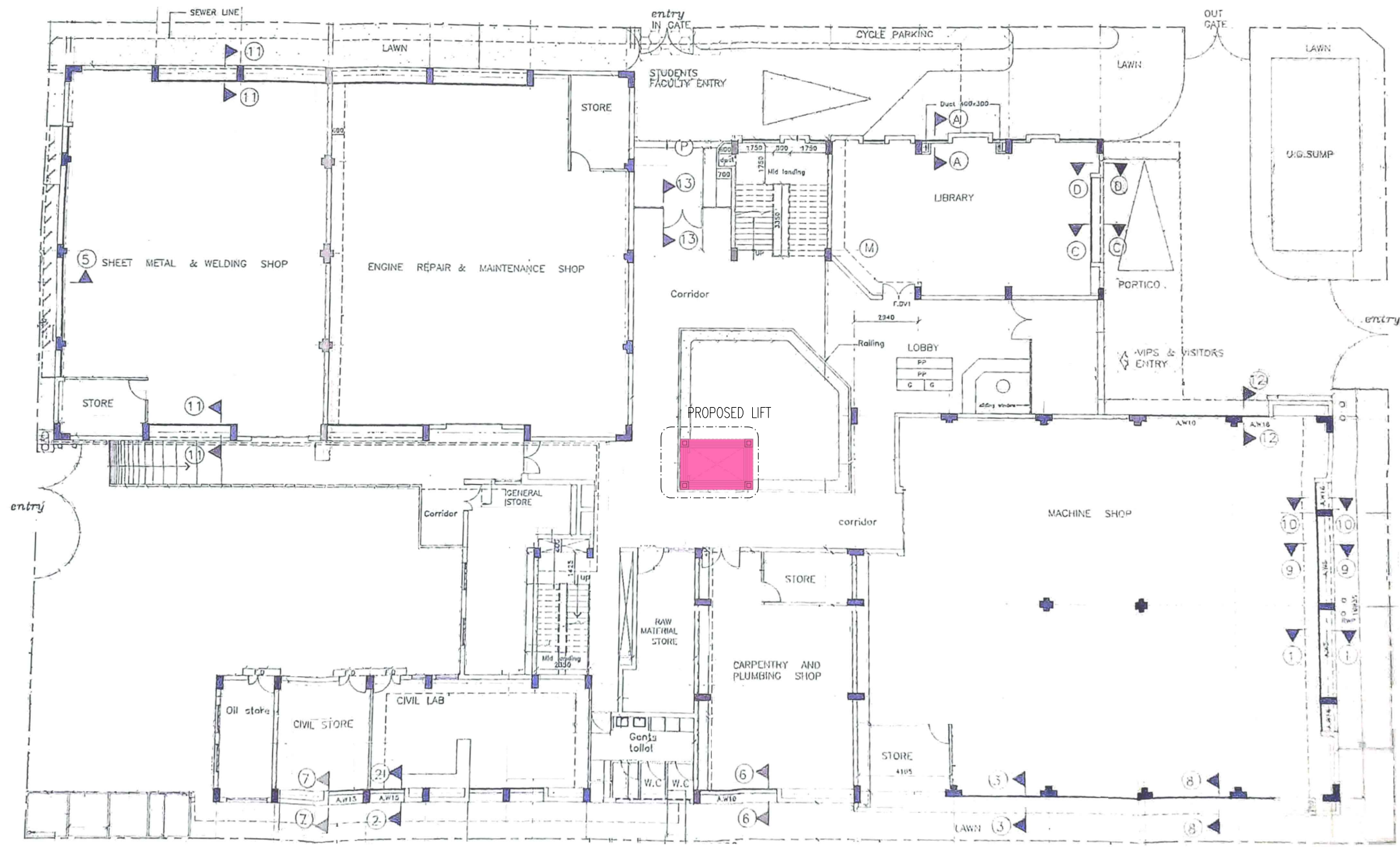
LOCATION PLAN
N.T.S

CONTRACTORS MUST CHECK ALL DIMENSIONS ON SITE BEFORE STARTING ANY WORK OR SHOP DRAWINGS. FIGURED DIMENSIONS TO TAKE PRECEDENCE OVER SCALE READINGS



REVISION NUMBER:	ARCHITECT: MOHAMED NASHATH	PROJECT: MALE POLYTECHNIC- PROPOSED LIFT MODIFICATION	A-01 DWG NO PROJECT NO: 23-017
	ENGINEER: MARIYAM SAMAH	LOCATION: K. MALE'	
	ARCH. CHECKER: MOHAMMED HAMEEN	DRAWING TITLE: AS GIVEN	
	STRUC. CHECKER: MOHAMMED ASHAN	CLIENT: MALE POLYTECHNIC-	
	SENIOR TECHNICIAN: ASFAN AHMED	SCALE: AS GIVEN DIMENSION: MM DATE: AUGUST, 2023	

CONCEPT AND DESIGN IN THIS DRAWING ARE THE PROPERTIES OF ARCHENG STUDIO PVT LTD. UNAUTHORIZED USE OR REPRODUCTION OF PART OF THE DESIGN, DRAWINGS OR CONCEPT TO USE IN OTHER PROJECTS OR SITES OTHER THAN SPECIFIED ON THIS DRAWING IS PROHIBITED

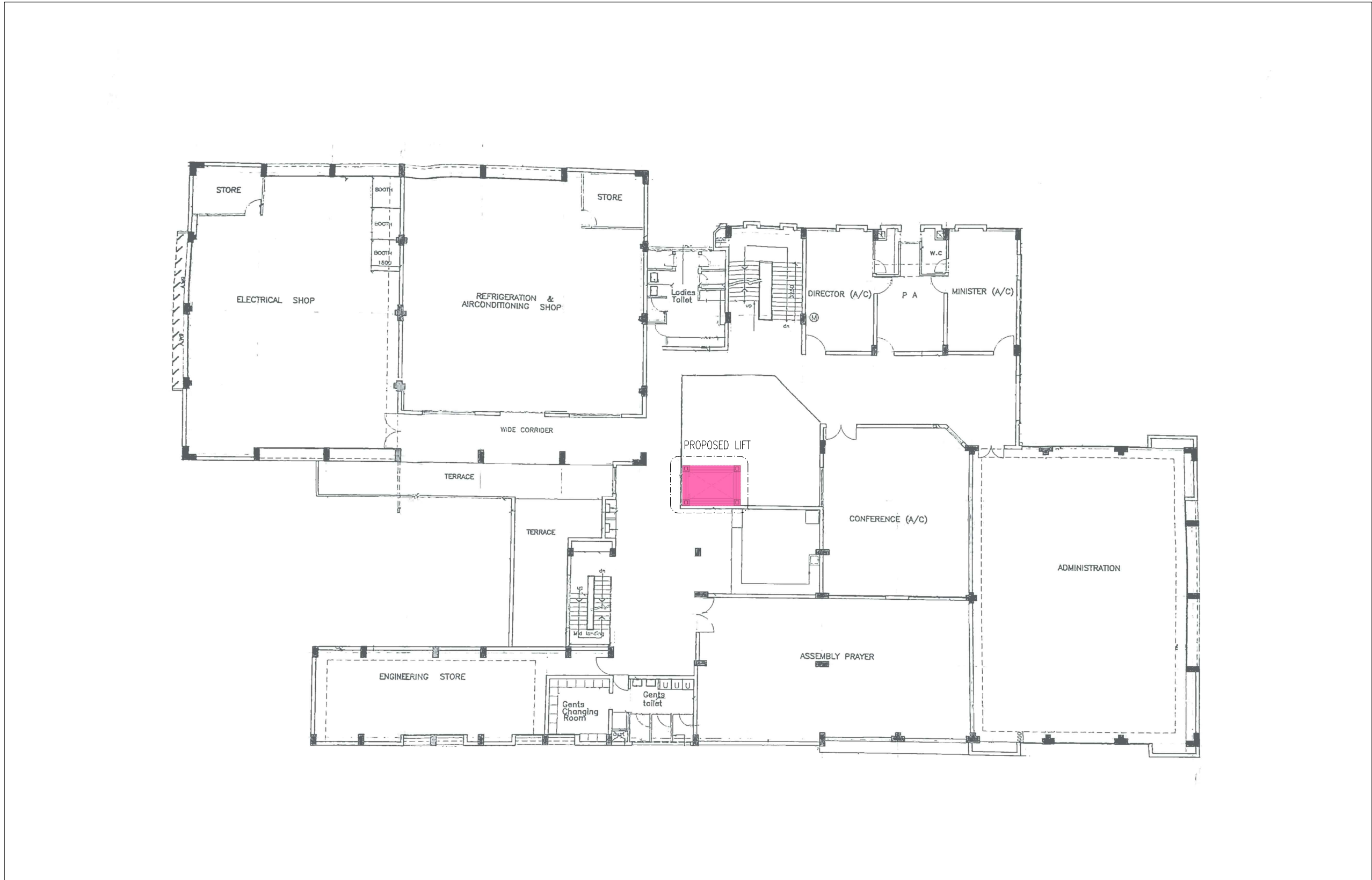


KEY PLAN- EXISTING GROUND FLOOR PLAN
N.T.S

CONTRACTORS MUST CHECK ALL DIMENSIONS ON SITE BEFORE STARTING ANY WORK OR SHOP DRAWINGS FIGURED DIMENSIONS TO TAKE PRECEDENCE OVER SCALE READINGS



REVISION NUMBER:	ARCHITECT: MOHAMED NASHATH	PROJECT: MALE POLYTECHNIC- PROPOSED LIFT MODIFICATION	<div style="text-align: right; font-size: 2em; font-weight: bold;">A-02</div> DWG NO PROJECT NO: 23-017
	ENGINEER: MARIYAM SAMAH	LOCATION: K. MALE	
	ARCH. CHECKER: MOHAMMED HAMEEN	DRAWING TITLE: AS GIVEN	
	STRUC. CHECKER: MOHAMMED ASHAN	CLIENT: MALE POLYTECHNIC-	
	SENIOR TECHNICIAN: ASFAN AHMED	SCALE: AS GIVEN DIMENSION: MM DATE: AUGUST, 2023	
CONCEPT AND DESIGN IN THIS DRAWING ARE THE PROPERTIES OF ARCHENG STUDIO PVT LTD. UNAUTHORIZED USE OR REPRODUCTION OF PART OF THE DESIGN, DRAWINGS OR CONCEPT TO USE IN OTHER PROJECTS OR SITES OTHER THAN SPECIFIED ON THIS DRAWING IS PROHIBITED			



KEY PLAN- EXISTING FIRST FLOOR PLAN
N.T.S

CONTRACTORS MUST CHECK ALL DIMENSIONS ON SITE BEFORE STARTING ANY WORK OR SHOP DRAWINGS FIGURED DIMENSIONS TO TAKE PRECEDENCE OVER SCALE READINGS



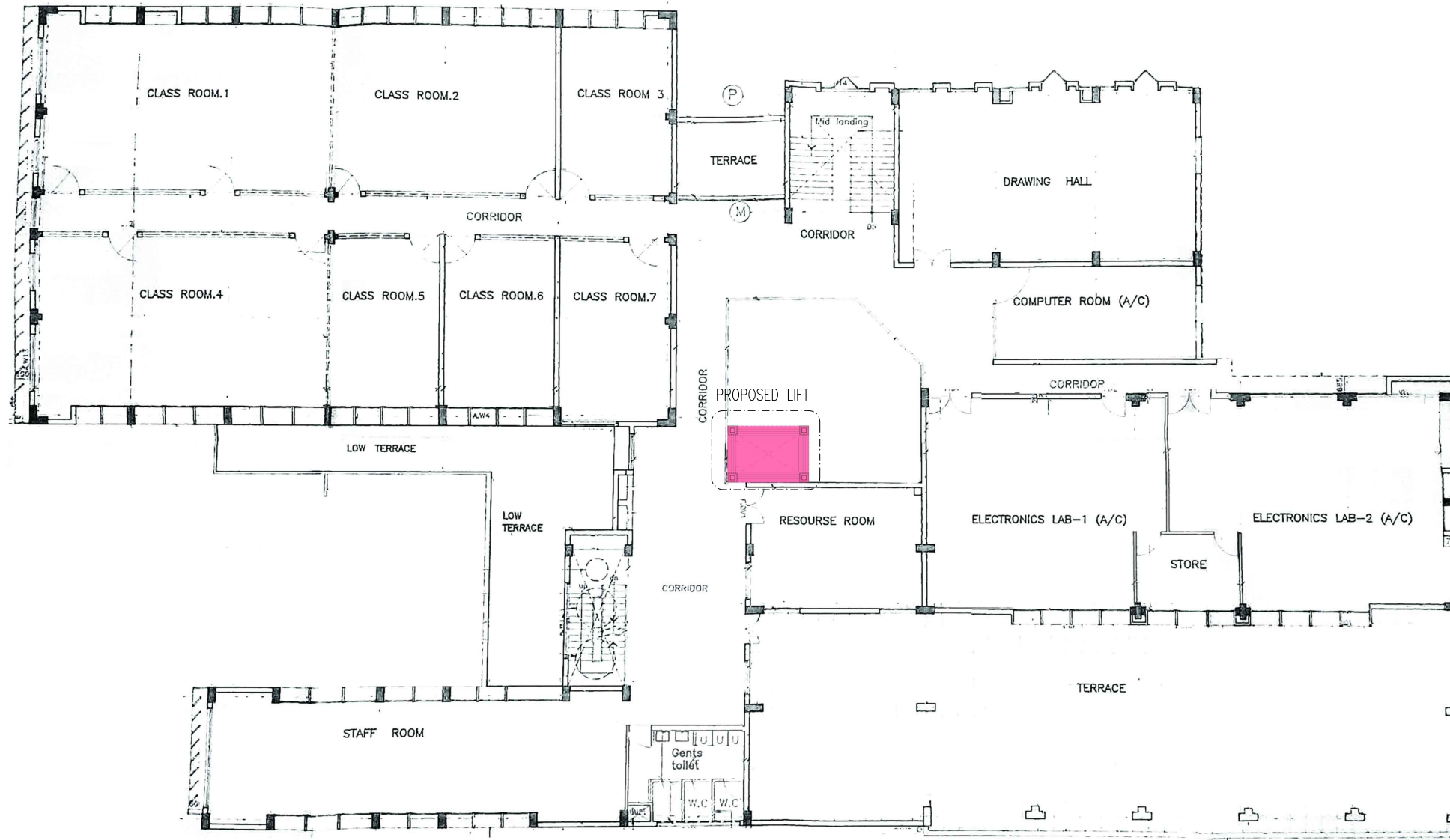
REVISION NUMBER:

ARCHITECT: MOHAMED NASHATH
ENGINEER: MARIYAM SAMAH
ARCH. CHECKER: MOHAMMED HAMEEN
STRUC. CHECKER: MOHAMMED ASHAN
SENIOR TECHNICIAN: ASFAN AHMED

PROJECT: MALE POLYTECHNIC- PROPOSED LIFT MODIFICATION
LOCATION: K. MALE
DRAWING TITLE: AS GIVEN
CLIENT: MALE POLYTECHNIC-
SCALE: AS GIVEN DIMENSION: MM DATE: AUGUST, 2023

A-03
DWG NO
PROJECT NO: 23-017

CONCEPT AND DESIGN IN THIS DRAWING ARE THE PROPERTIES OF ARCHENG STUDIO PVT LTD. UNAUTHORIZED USE OR REPRODUCTION OF PART OF THE DESIGN, DRAWINGS OR CONCEPT TO USE IN OTHER PROJECTS OR SITES OTHER THAN SPECIFIED ON THIS DRAWING IS PROHIBITED



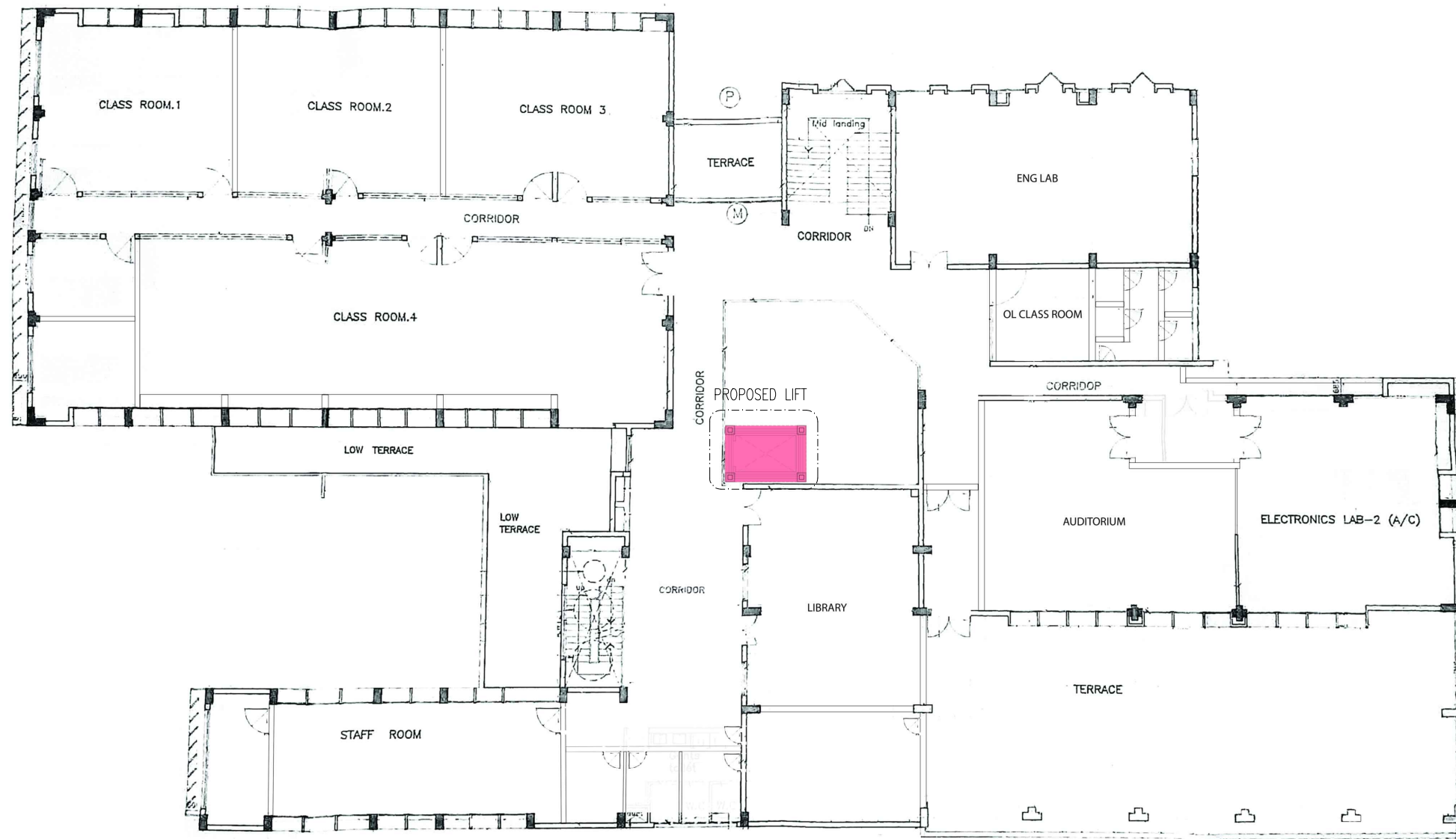
KEY PLAN- EXISTING SECOND FLOOR PLAN
N.T.S

CONTRACTORS MUST CHECK ALL DIMENSIONS ON SITE BEFORE STARTING ANY WORK OR SHOP DRAWINGS FIGURED DIMENSIONS TO TAKE PRECEDENCE OVER SCALE READINGS



REVISION NUMBER:	ARCHITECT: MOHAMED NASHATH	PROJECT: MALE POLYTECHNIC- PROPOSED LIFT MODIFICATION	A-04 DWG NO PROJECT NO: 23-017
	ENGINEER: MARIYAM SAMAH	LOCATION: K. MALE	
	ARCH. CHECKER: MOHAMMED HAMEEN	DRAWING TITLE: AS GIVEN	
	STRUC. CHECKER: MOHAMMED ASHAN	CLIENT: MALE POLYTECHNIC-	
	SENIOR TECHNICIAN: ASFAN AHMED	SCALE: AS GIVEN DIMENSION: MM DATE: AUGUST, 2023	

CONCEPT AND DESIGN IN THIS DRAWING ARE THE PROPERTIES OF ARCHENG STUDIO PVT LTD. UNAUTHORIZED USE OR REPRODUCTION OF PART OF THE DESIGN, DRAWINGS OR CONCEPT TO USE IN OTHER PROJECTS OR SITES OTHER THAN SPECIFIED ON THIS DRAWING IS PROHIBITED



KEY PLAN- EXISTING THIRD FLOOR PLAN
N.T.S

CONTRACTORS MUST CHECK ALL DIMENSIONS ON SITE BEFORE STARTING ANY WORK OR SHOP DRAWINGS FIGURED DIMENSIONS TO TAKE PRECEDENCE OVER SCALE READINGS



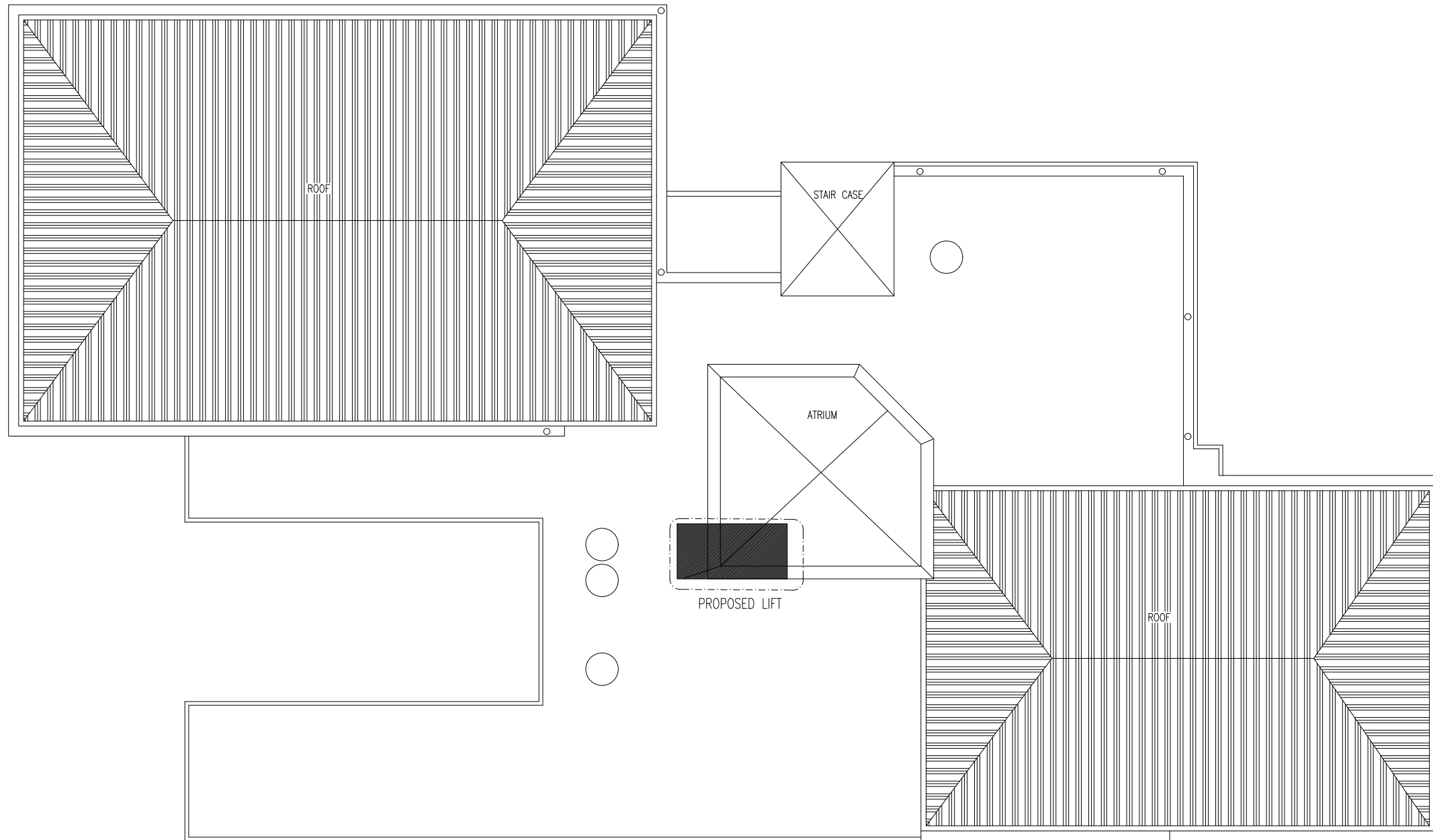
REVISION NUMBER:

ARCHITECT: MOHAMED NASHATH
ENGINEER: MARIYAM SAMAH
ARCH. CHECKER: MOHAMMED HAMEEN
STRUC. CHECKER: MOHAMMED ASHAN
SENIOR TECHNICIAN: ASFAN AHMED

PROJECT: MALE POLYTECHNIC- PROPOSED LIFT MODIFICATION
LOCATION: K. MALE
DRAWING TITLE: AS GIVEN
CLIENT: MALE POLYTECHNIC-
SCALE: AS GIVEN DIMENSION: MM DATE: AUGUST, 2023

A-05
DWG NO
PROJECT NO: 23-017

CONCEPT AND DESIGN IN THIS DRAWING ARE THE PROPERTIES OF ARCHENG STUDIO PVT LTD. UNAUTHORIZED USE OR REPRODUCTION OF PART OF THE DESIGN, DRAWINGS OR CONCEPT TO USE IN OTHER PROJECTS OR SITES OTHER THAN SPECIFIED ON THIS DRAWING IS PROHIBITED



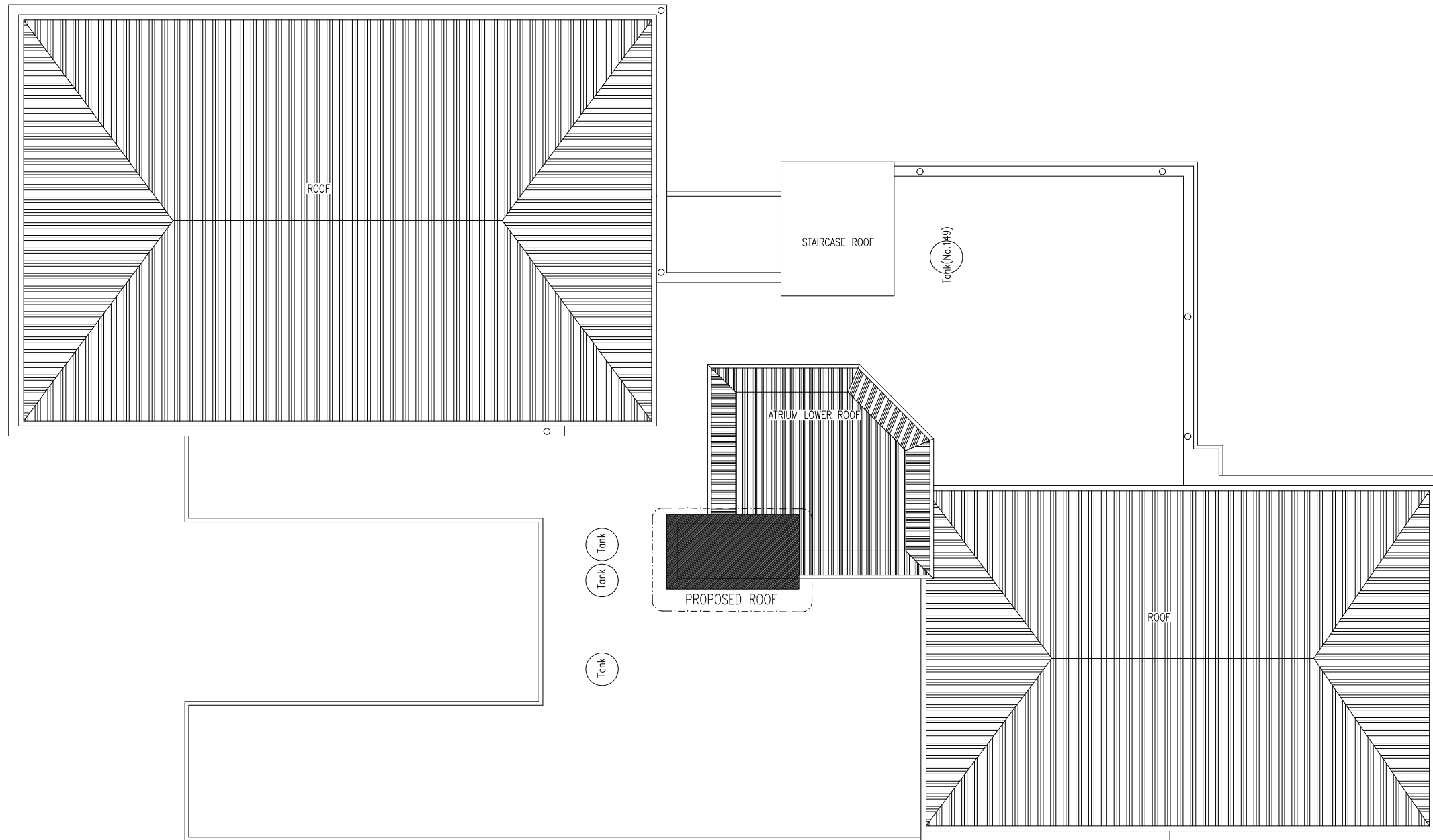
KEY PLAN-EXISTING TERRACE FLOOR PLAN
N.T.S

CONTRACTORS MUST CHECK ALL DIMENSIONS ON SITE BEFORE STARTING ANY WORK OR SHOP DRAWINGS. FIGURED DIMENSIONS TO TAKE PRECEDENCE OVER SCALE READINGS



REVISION NUMBER:	ARCHITECT: MOHAMED NASHATH	PROJECT: MALE POLYTECHNIC- PROPOSED LIFT MODIFICATION	A-06
	ENGINEER: MARIYAM SAMAH	LOCATION: K. MALE'	
	ARCH. CHECKER: MOHAMMED HAMEEN	DRAWING TITLE: AS GIVEN	
	STRUC. CHECKER: MOHAMMED ASHAN	CLIENT: MALE POLYTECHNIC-	
	SENIOR TECHNICIAN: ASFAN AHMED	SCALE: AS GIVEN DIMENSION: MM DATE: AUGUST, 2023	
CONCEPT AND DESIGN IN THIS DRAWING ARE THE PROPERTIES OF ARCHENG STUDIO PVT LTD. UNAUTHORIZED USE OR REPRODUCTION OF PART OF THE DESIGN, DRAWINGS OR CONCEPT TO USE IN OTHER PROJECTS OR SITES OTHER THAN SPECIFIED ON THIS DRAWING IS PROHIBITED			

DWG NO
PROJECT NO: 23-017



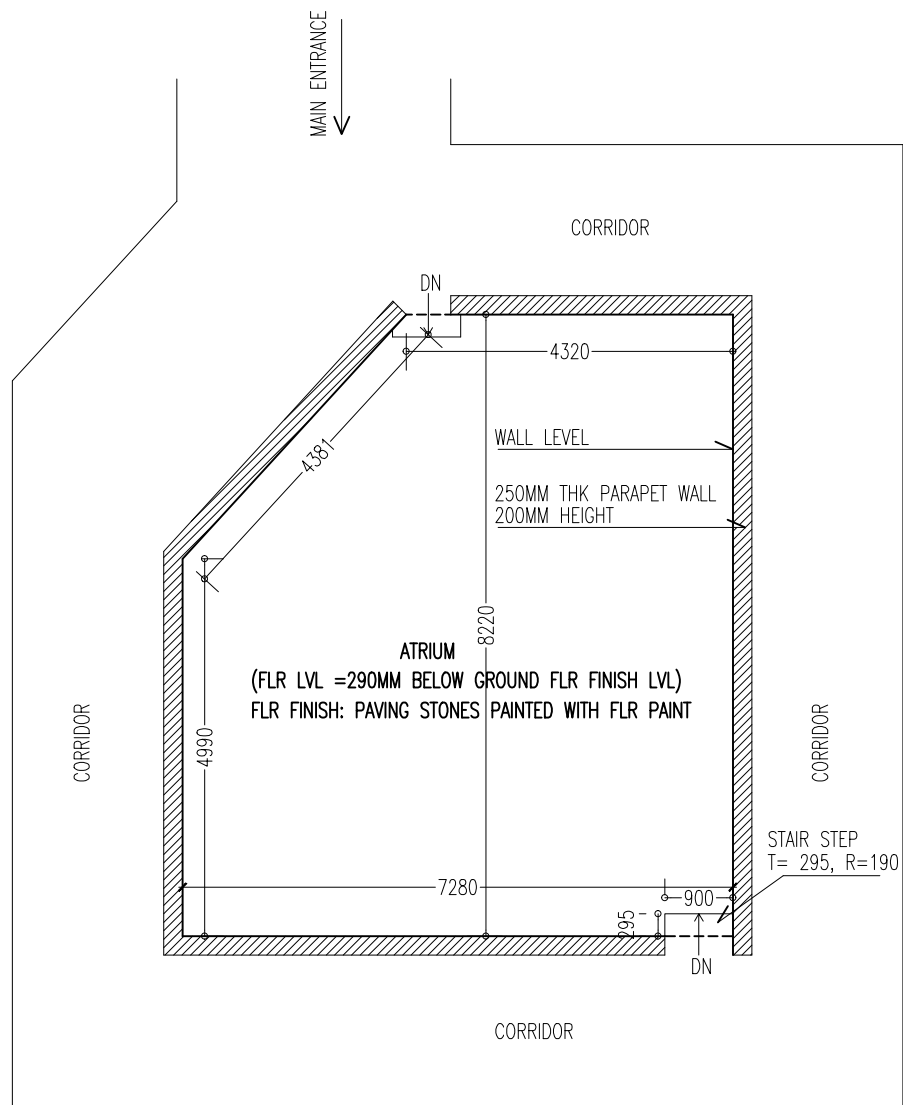
KEY PLAN- EXISTING ROOF PLAN PLAN
N.T.S

CONTRACTORS MUST CHECK ALL DIMENSIONS ON SITE BEFORE STARTING ANY WORK OR SHOP DRAWINGS. FIGURED DIMENSIONS TO TAKE PRECEDENCE OVER SCALE READINGS



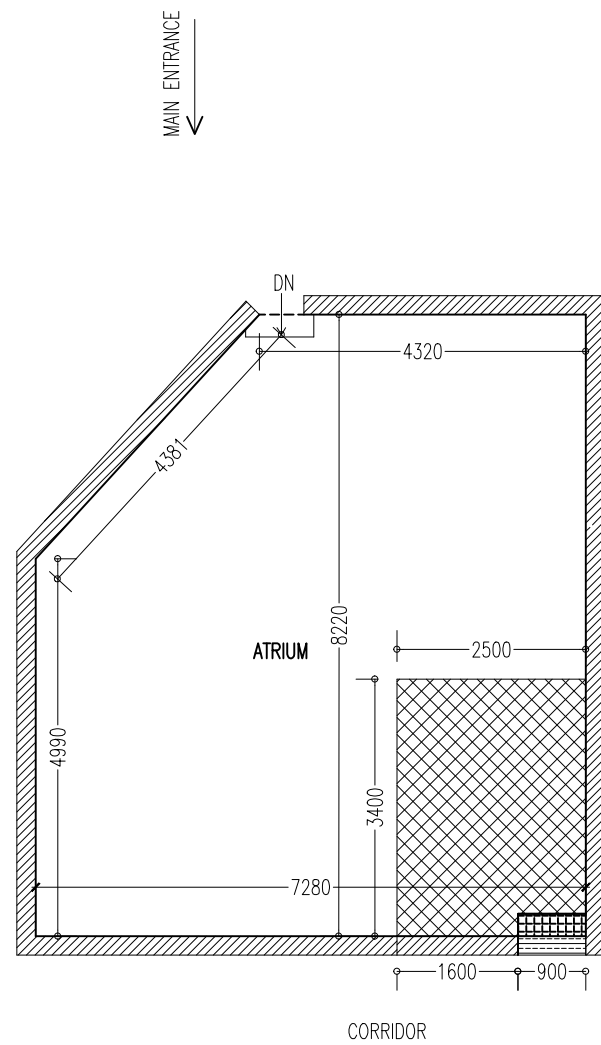
REVISION NUMBER:	ARCHITECT: MOHAMED NASHATH	PROJECT: MALE POLYTECHNIC- PROPOSED LIFT MODIFICATION	A-07
	ENGINEER: MARIYAM SAMAH	LOCATION: K. MALE	
	ARCH. CHECKER: MOHAMMED HAMEEN	DRAWING TITLE: AS GIVEN	
	STRUC. CHECKER: MOHAMMED ASHAN	CLIENT: MALE POLYTECHNIC-	
	SENIOR TECHNICIAN: ASFAN AHMED	SCALE: AS GIVEN DIMENSION: MM DATE: AUGUST, 2023	
CONCEPT AND DESIGN IN THIS DRAWING ARE THE PROPERTIES OF ARCHENG STUDIO PVT LTD. UNAUTHORIZED USE OR REPRODUCTION OF PART OF THE DESIGN, DRAWINGS OR CONCEPT TO USE IN OTHER PROJECTS OR SITES OTHER THAN SPECIFIED ON THIS DRAWING IS PROHIBITED			

DWG NO
PROJECT NO: 23-017



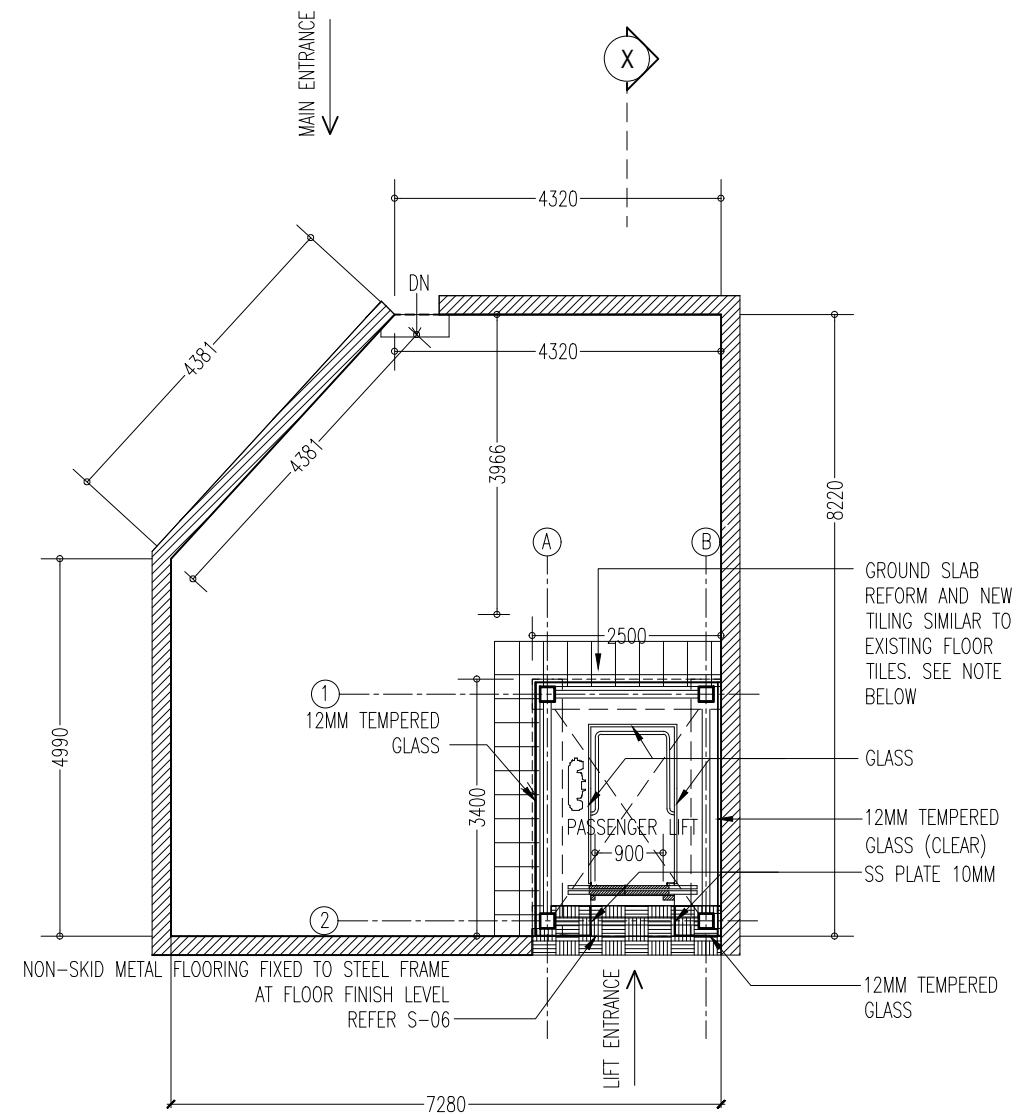
EXISTING PLAN- GROUND FLOOR PART PLAN

SCALE 1:100



DEMOLITION PLAN- GROUND FLOOR PART PLAN

SCALE 1:100



PROPOSED PLAN- GROUND FLOOR PART PLAN

SCALE 1:100

LEGEND: FOR DEMOLITION PLAN (GROUND FLOOR)

- PARAPET WALL
- STAIR STEP
- ATRIUM FLOOR
- REMOVE TILE

LEGEND: FOR PROPOSED WORK

- REPAIR AND REFORM GROUND SLAB 150MM IN THE DEMOLISHED AREA AND FINISH WITH NEW 600X600 PORCELAIN TILES ON TILE ADHESIVE (CLIENT APPROVED COLOUR AND DESIGN)

CONTRACTORS MUST CHECK ALL DIMENSIONS ON SITE BEFORE STARTING ANY WORK OR SHOP DRAWINGS FIGURED DIMENSIONS TO TAKE PRECEDENCE OVER SCALE READINGS



REVISION NUMBER: _____

ARCHITECT: MOHAMED NASHATH
 ENGINEER: MARIYAM SAMAH
 ARCH. CHECKER: MOHAMMED HAMEEN
 STRUC. CHECKER: MOHAMMED ASHAN
 SENIOR TECHNICIAN: ASFAN AHMED

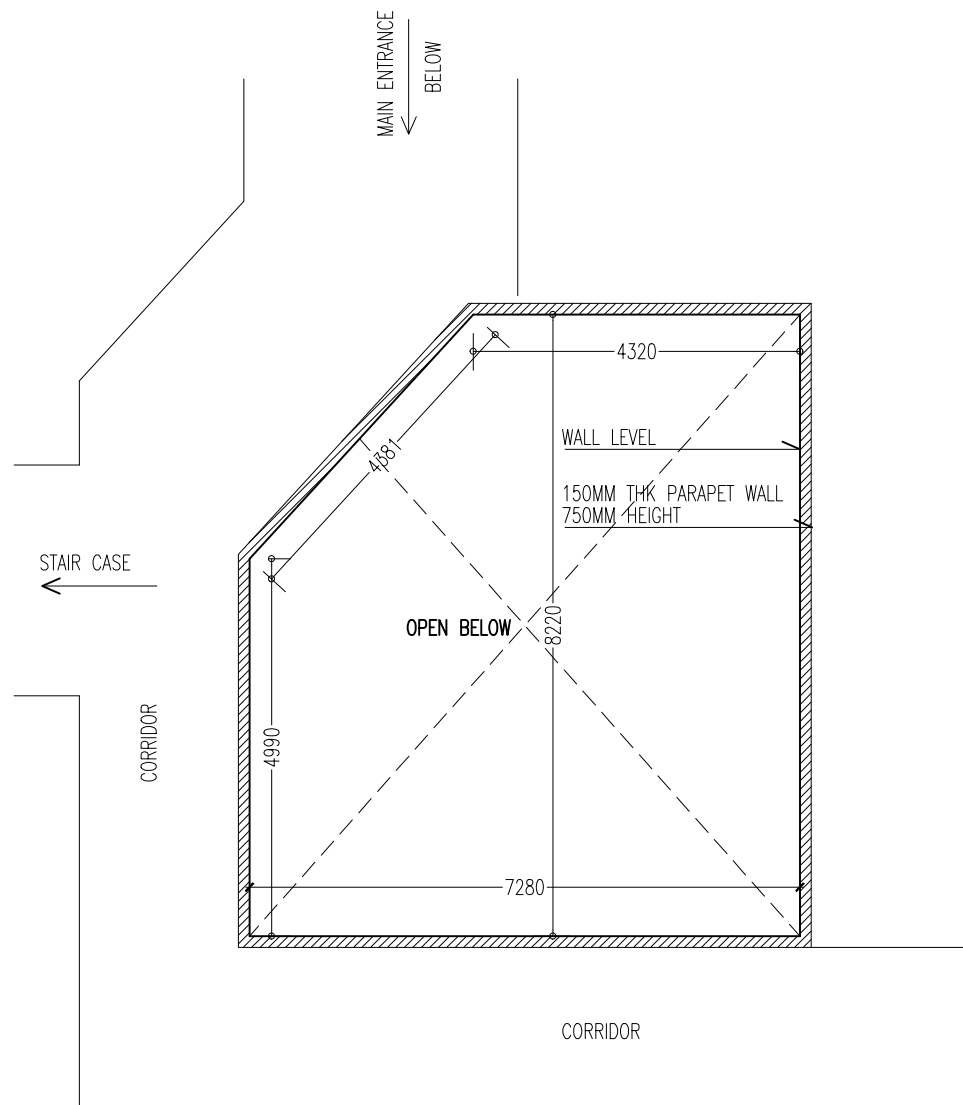
PROJECT: MALE POLYTECHNIC- PROPOSED LIFT MODIFICATION
 LOCATION: K. MALE
 DRAWING TITLE: AS GIVEN
 CLIENT: MALE POLYTECHNIC-
 SCALE: AS GIVEN DIMENSION: MM DATE: AUGUST, 2023

PROJECT NO.: 23-017

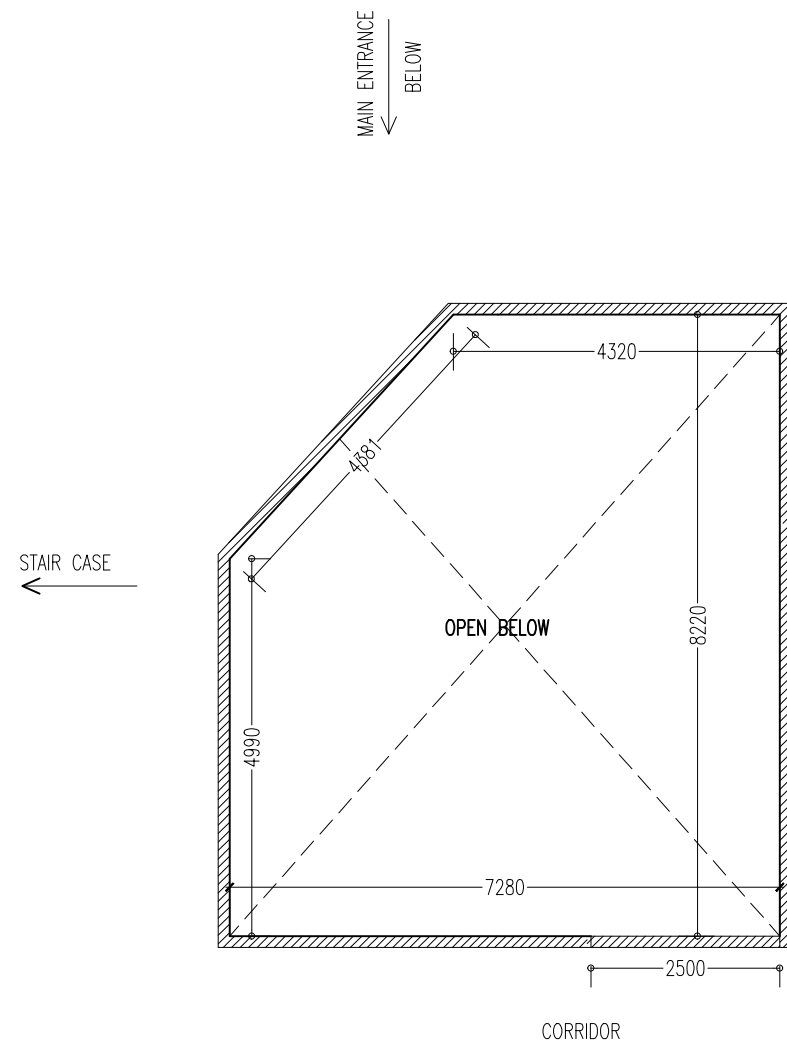
A-08

DWG NO

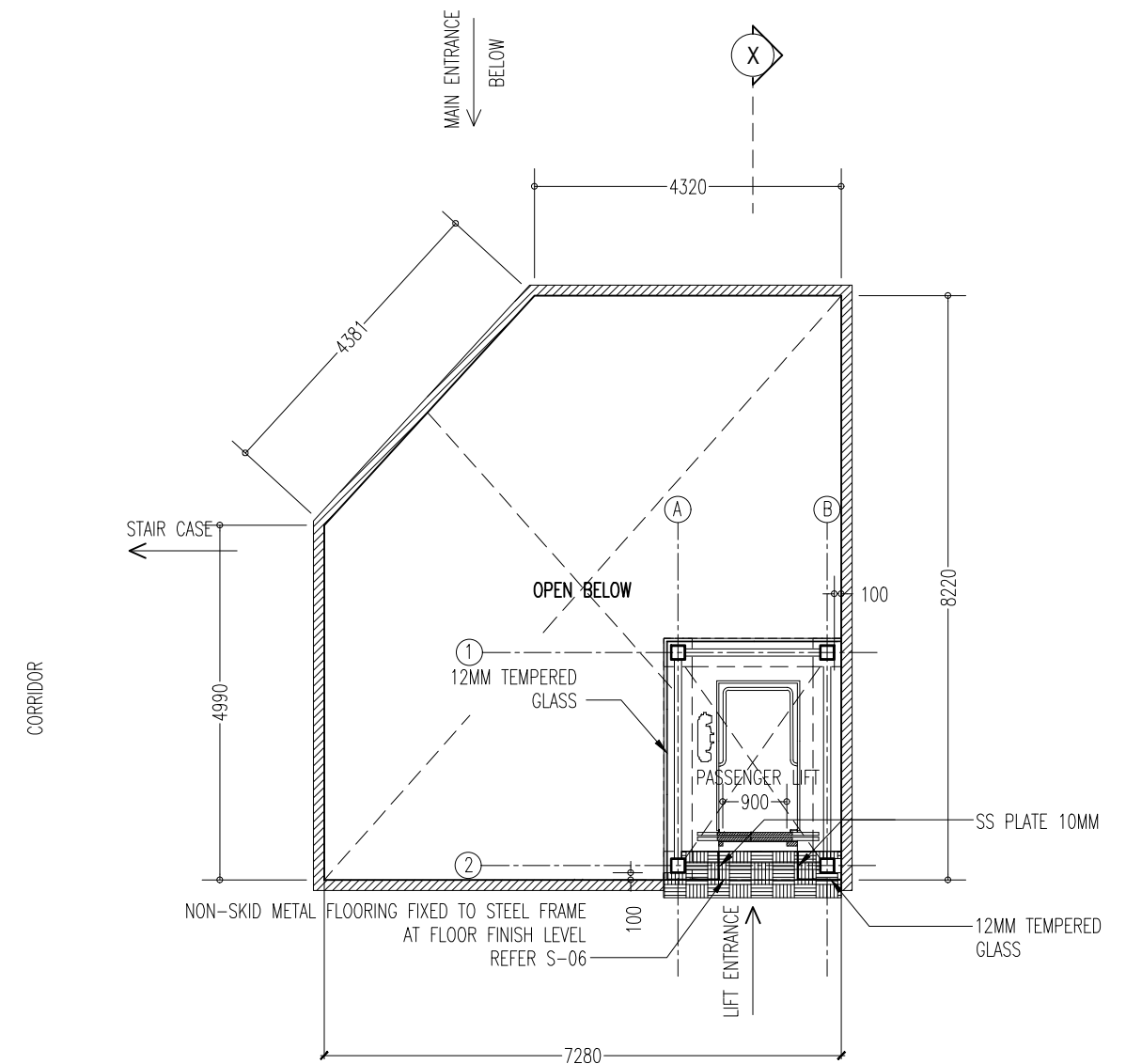
CONCEPT AND DESIGN IN THIS DRAWING ARE THE PROPERTIES OF ARCHENG STUDIO PVT LTD. UNAUTHORIZED USE OR REPRODUCTION OF PART OF THE DESIGN, DRAWINGS OR CONCEPT TO USE IN OTHER PROJECTS OR SITES OTHER THAN SPECIFIED ON THIS DRAWING IS PROHIBITED



EXISTING PLAN - 1ST TO 3RD FLOOR PART PLAN
SCALE 1:100

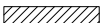


DEMOLITION PLAN- 1ST TO 3RD FLOOR PART PLAN
SCALE 1:100



PROPOSED PLAN- 1ST TO 3RD FLOOR PART PLAN
SCALE 1:100

LEGEND: FOR DEMOLITION PLAN (1ST, 2ND, 3RD FLOOR)

 PARAPET WALL

CONTRACTORS MUST CHECK ALL DIMENSIONS ON SITE BEFORE STARTING ANY WORK OR SHOP DRAWINGS FIGURED DIMENSIONS TO TAKE PRECEDENCE OVER SCALE READINGS



REVISION NUMBER:	ARCHITECT: MOHAMED NASHATH
	ENGINEER: MARIYAM SAMAH
	ARCH. CHECKER: MOHAMMED HAMEEN
	STRUC. CHECKER: MOHAMMED ASHAN
	SENIOR TECHNICIAN: ASFAN AHMED

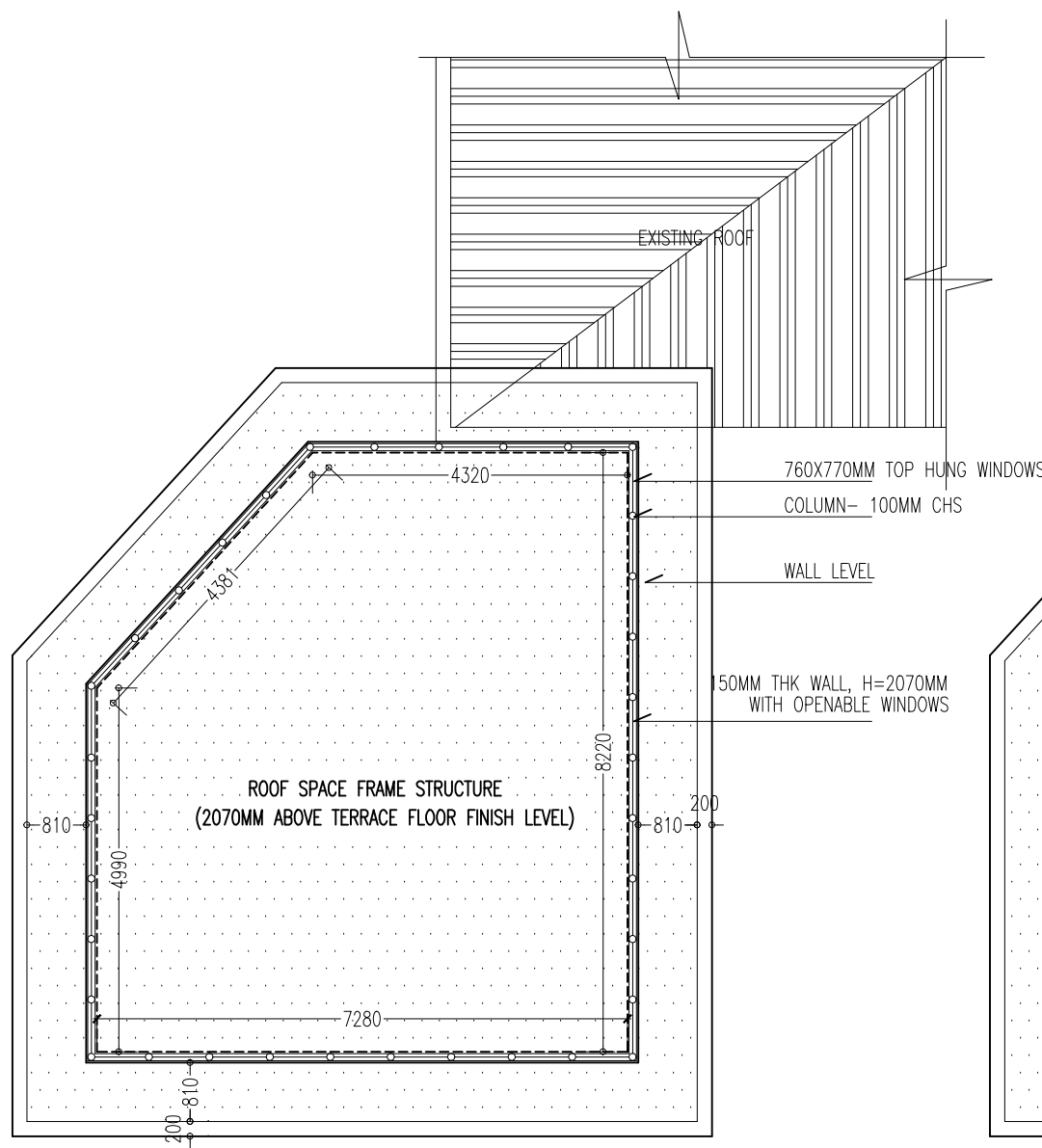
PROJECT: MALE POLYTECHNIC- PROPOSED LIFT MODIFICATION
LOCATION: K. MALE
DRAWING TITLE: AS GIVEN
CLIENT: MALE POLYTECHNIC-
SCALE: AS GIVEN
DIMENSION: MM
DATE: AUGUST, 2023

A-09

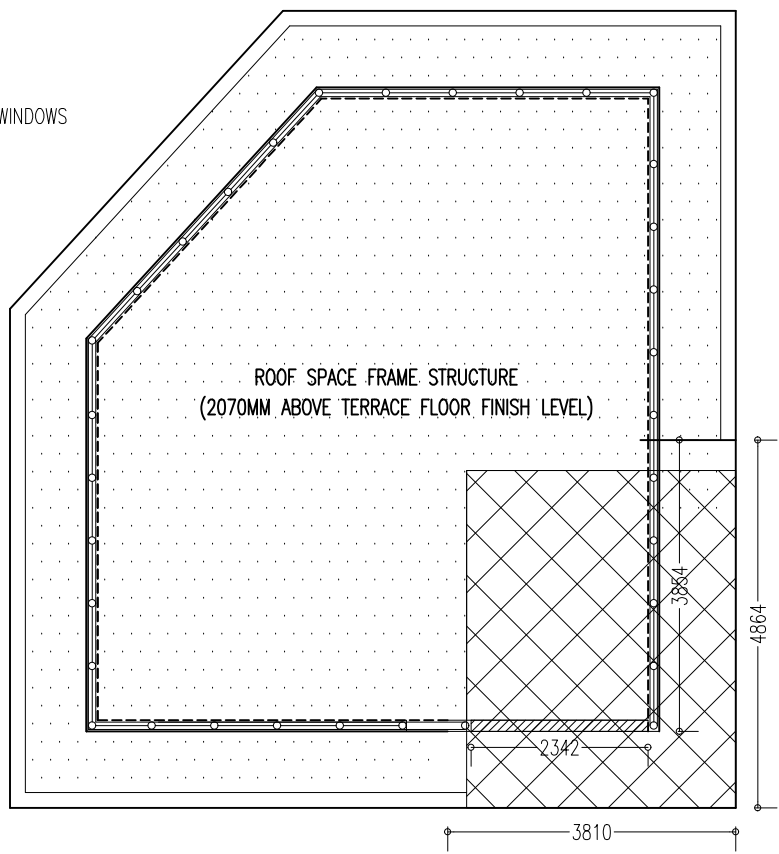
DWG NO
PROJECT NO: 23-017

CONCEPT AND DESIGN IN THIS DRAWING ARE THE PROPERTIES OF ARCHENG STUDIO PVT LTD. UNAUTHORIZED USE OR REPRODUCTION OF PART OF THE DESIGN, DRAWINGS OR CONCEPT TO USE IN OTHER PROJECTS OR SITES OTHER THAN SPECIFIED ON THIS DRAWING IS PROHIBITED

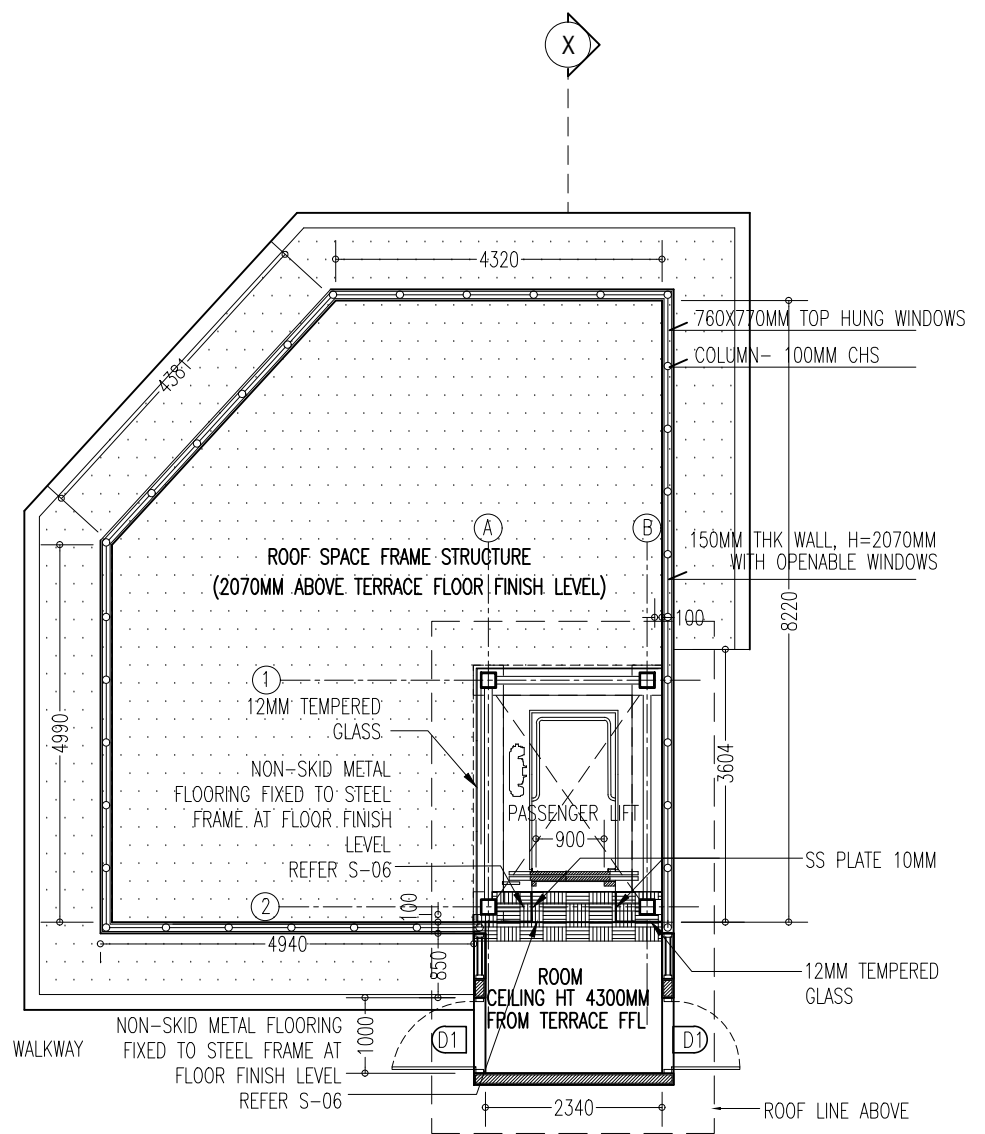
STAIRCASE ROOM



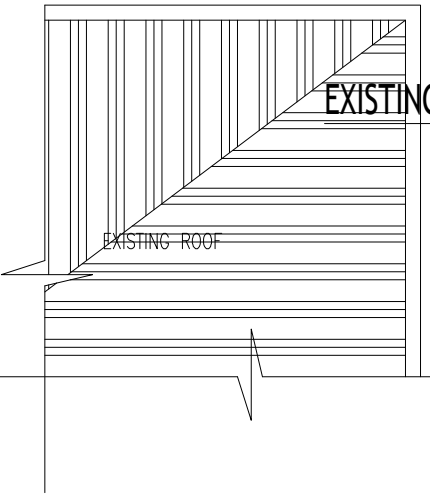
EXISTING PLAN - TERRACE FLOOR PART PLAN
SCALE 1:100



DEMOLITION PLAN- TERRACE FLOOR PART PLAN
SCALE 1:100



PROPOSED PLAN- TERRACE FLOOR PART PLAN
SCALE 1:100



LEGEND: TERRACE FLR PLAN

- ROOF SPACE FRAME STRUCTURE SUPPORTED OVER STEEL FRAMING AT A HEIGHT OF 2070MM FROM TERRACE FLR FINISH LVL
- 1220MM HEIGHT PARAPET WALL WITH 100MM CHS COLUMNS AND OPENABLE WINDOWS

LEGEND: FOR DEMOLITION PLAN (TERRACE FLOOR)

- ROOF & SPACE FRAME STRUCTURE
- PARAPET WALL

LEGEND: FOR PROPOSED WORK

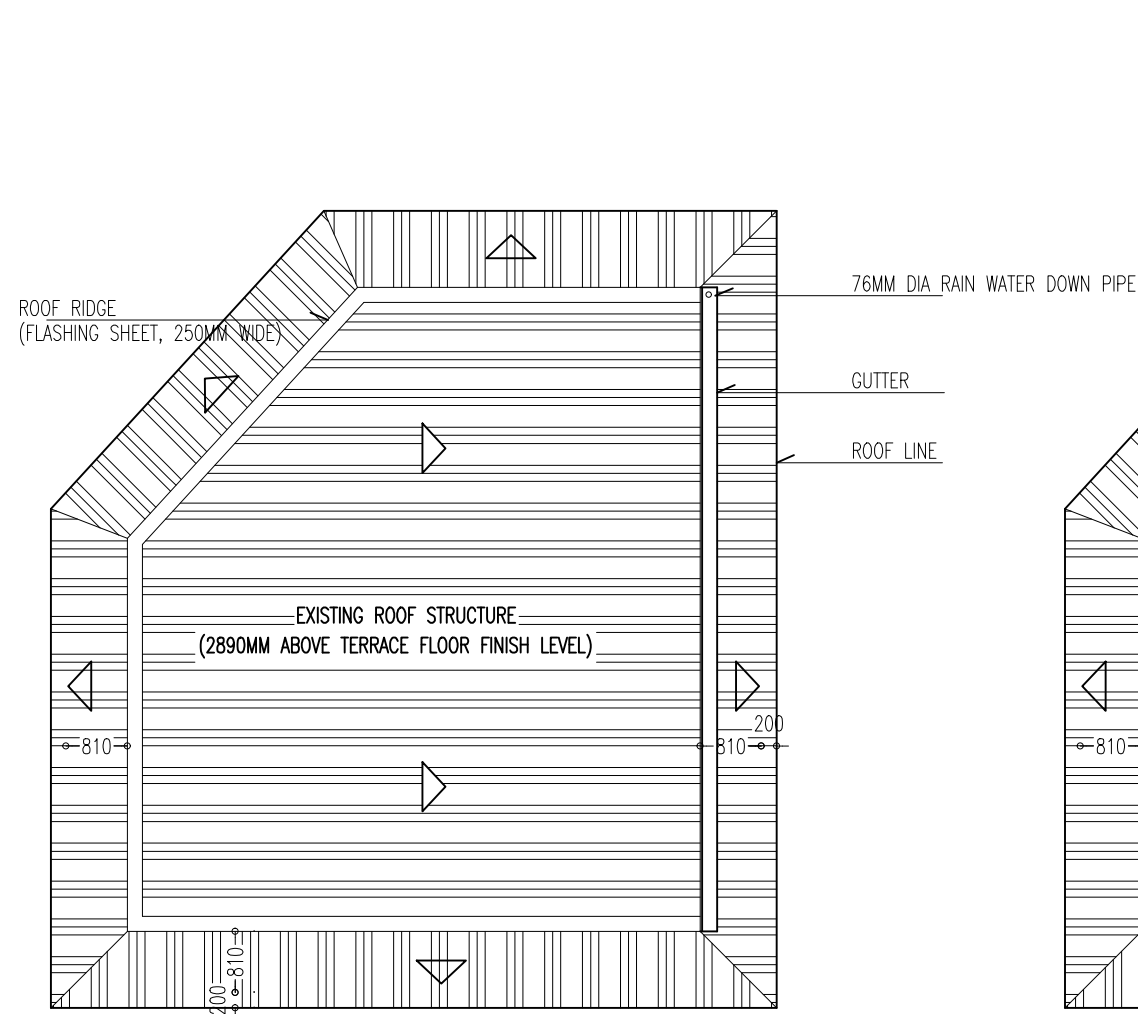
- NEW ROOF AND GUTTERS AND DOWNPIPES AS SHOWN
- NEW MASONRY WALL

CONTRACTORS MUST CHECK ALL DIMENSIONS ON SITE BEFORE STARTING ANY WORK OR SHOP DRAWINGS FIGURED DIMENSIONS TO TAKE PRECEDENCE OVER SCALE READINGS



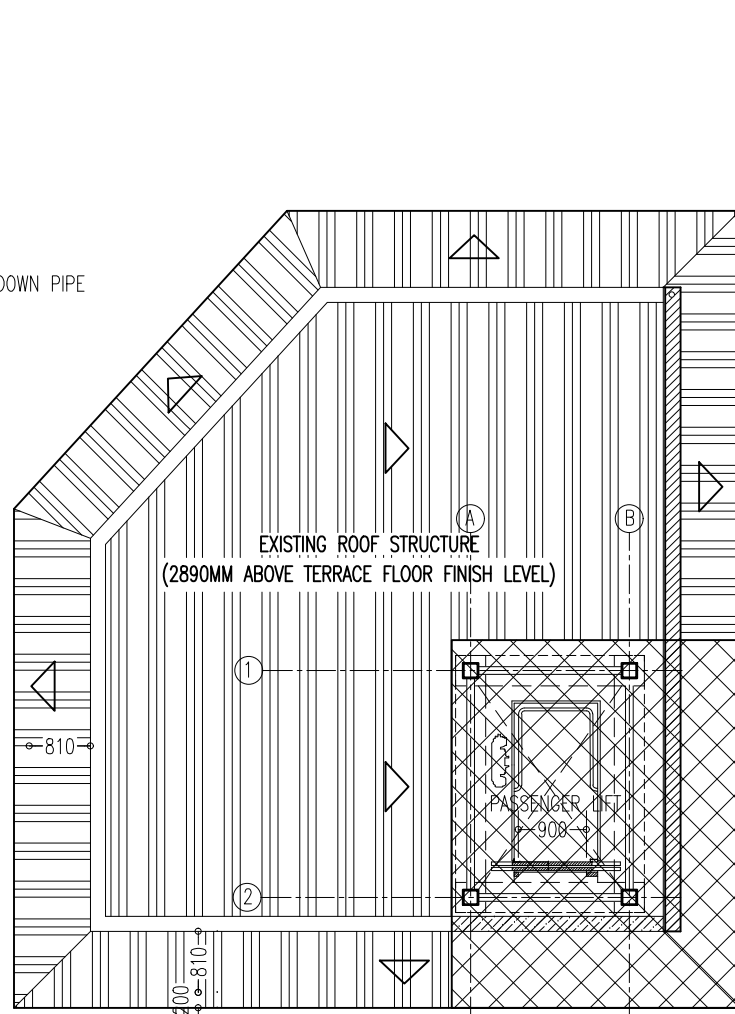
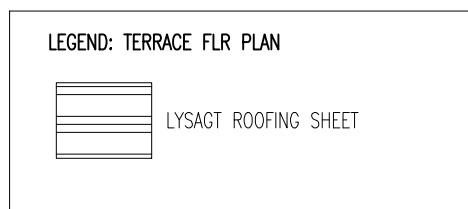
REVISION NUMBER:	ARCHITECT: MOHAMED NASHATH	PROJECT: MALE POLYTECHNIC- PROPOSED LIFT MODIFICATION	A-10 DWG NO PROJECT NO: 23-017
	ENGINEER: MARIYAM SAMAH	LOCATION: K. MALE	
	ARCH. CHECKER: MOHAMMED HAMEEN	DRAWING TITLE: AS GIVEN	
	STRUC. CHECKER: MOHAMMED ASHAN	CLIENT: MALE POLYTECHNIC-	
	SENIOR TECHNICIAN: ASFAN AHMED	SCALE: AS GIVEN DIMENSION: MM DATE: AUGUST, 2023	

CONCEPT AND DESIGN IN THIS DRAWING ARE THE PROPERTIES OF ARCHENG STUDIO PVT LTD. UNAUTHORIZED USE OR REPRODUCTION OF PART OF THE DESIGN, DRAWINGS OR CONCEPT TO USE IN OTHER PROJECTS OR SITES OTHER THAN SPECIFIED ON THIS DRAWING IS PROHIBITED



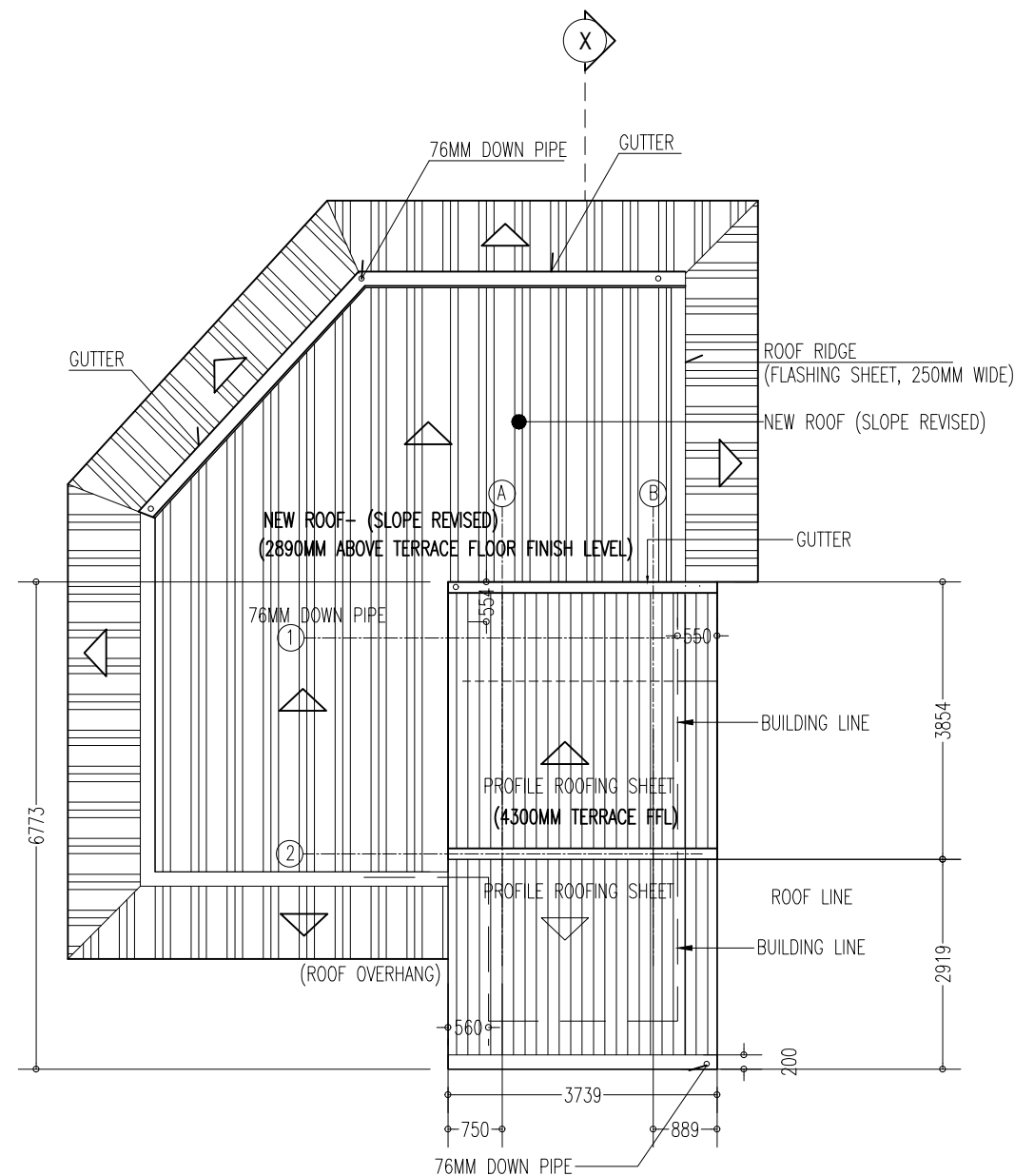
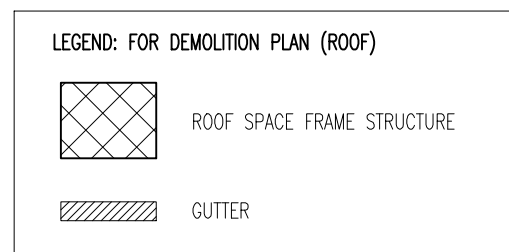
EXISTING PLAN - ROOF PART PLAN

SCALE 1:100



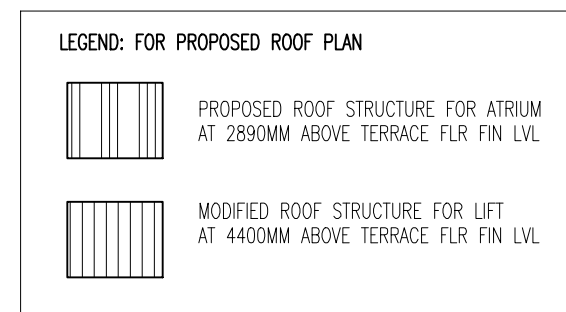
DEMOLITION PLAN - ROOF PART PLAN

SCALE 1:100

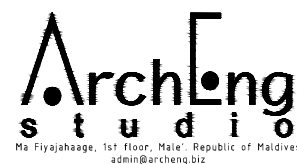


PROPOSED ROOF PART PLAN

SCALE 1:100



CONTRACTORS MUST CHECK ALL DIMENSIONS ON SITE BEFORE STARTING ANY WORK OR SHOP DRAWINGS FIGURED DIMENSIONS TO TAKE PRECEDENCE OVER SCALE READINGS



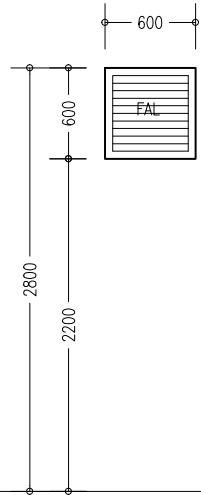
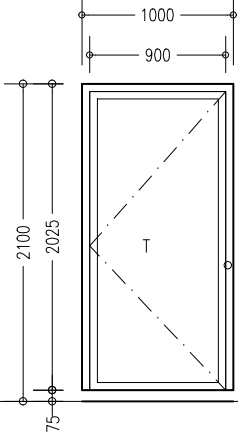
REVISION NUMBER:

ARCHITECT: MOHAMED NASHATH
 ENGINEER: MARIYAM SAMAH
 ARCH. CHECKER: MOHAMMED HAMEEN
 STRUC. CHECKER: MOHAMMED ASHAN
 SENIOR TECHNICIAN: ASFAN AHMED

PROJECT: MALE POLYTECHNIC- PROPOSED LIFT MODIFICATION
 LOCATION: K. MALE
 DRAWING TITLE: AS GIVEN
 CLIENT: MALE POLYTECHNIC-
 SCALE: AS GIVEN DIMENSION: MM DATE: AUGUST, 2023

PROJECT NO: 23-017

A-11

ELEVATIONS :		
	FINISH FLOOR LEVEL →	
DR / WD NO.	W1	D1
DESCRIPTION :	ALUMINUM FRAMED WINDOW WITH LOUVERS	ALUMINUM FRAMED OPENABLE DOOR PANEL
FRAME :	80 MICRON WHITE POWDER COATED ALUMINIUM FRAME	80 MICRON WHITE POWDER COATED ALUMINIUM FRAME
HARDWARE :		DOOR CLOSER LOCK BUTT HINGE STOPPER HOLDER
GLAZING :	-	6MM THICK GREEN TINTED TEMPERED GLASS

DOOR/WINDOW SCHEDULE

SCALE 1:50

CONTRACTORS MUST CHECK ALL DIMENSIONS ON SITE BEFORE STARTING ANY WORK OR SHOP DRAWINGS. FIGURED DIMENSIONS TO TAKE PRECEDENCE OVER SCALE READINGS

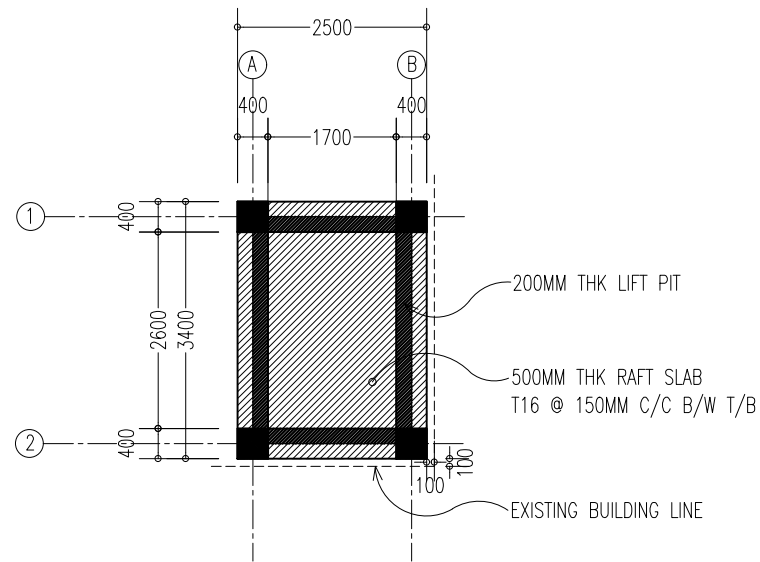


REVISION NUMBER:

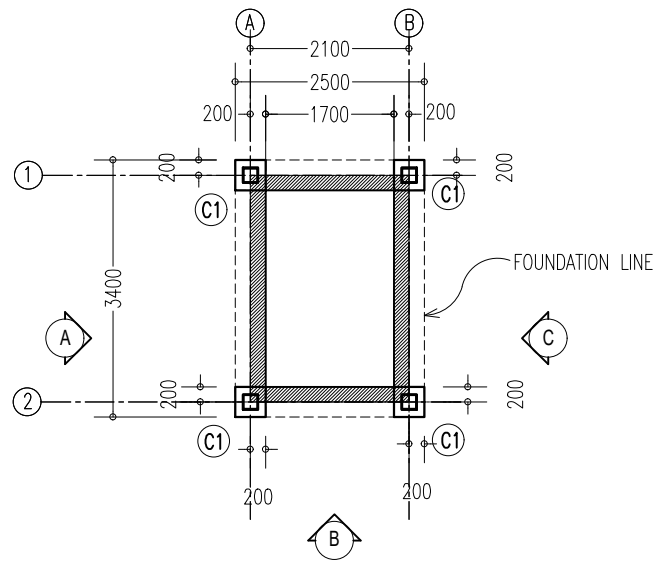
ARCHITECT: MOHAMED NASHATH
ENGINEER: MARIYAM SAMAH
ARCH. CHECKER: MOHAMMED HAMEEN
STRUC. CHECKER: MOHAMMED ASHAN
SENIOR TECHNICIAN: ASFAN AHMED

PROJECT: MALE POLYTECHNIC- PROPOSED LIFT MODIFICATION
LOCATION: K. MALE
DRAWING TITLE: AS GIVEN
CLIENT: MALE POLYTECHNIC-
SCALE: AS GIVEN DIMENSION: MM DATE: AUGUST, 2023

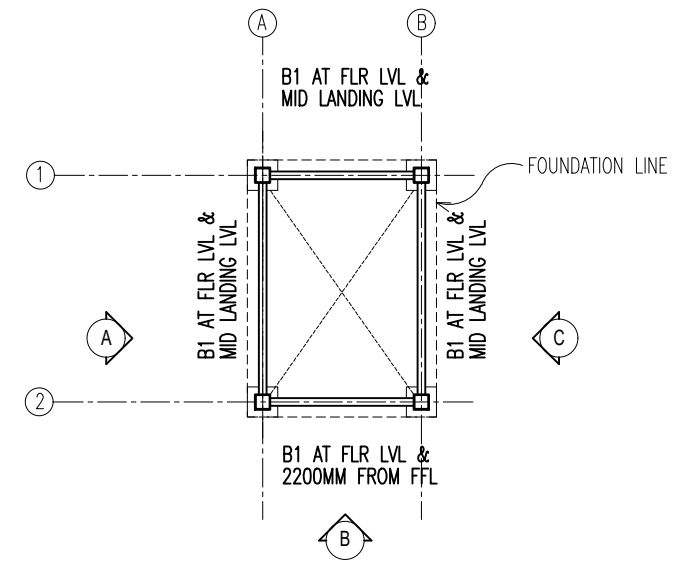
A-12
DWG NO
PROJECT NO: 23-017



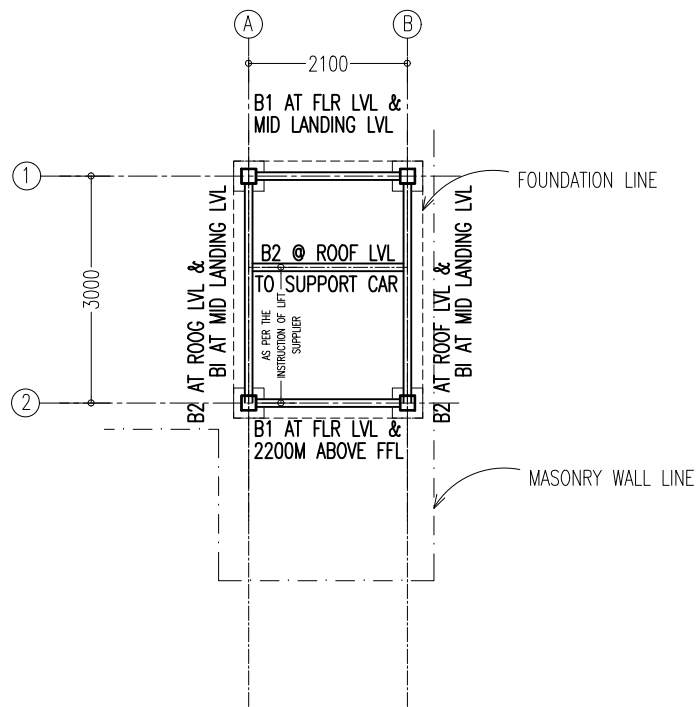
FOUNDATION LAYOUT PLAN
SCALE 1:100



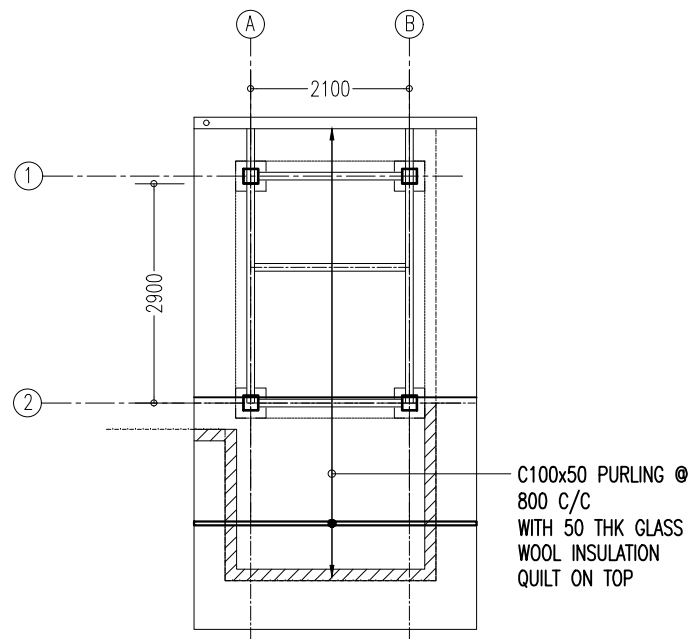
COLUMN SETTING LAYOUT PLAN
SCALE 1:100



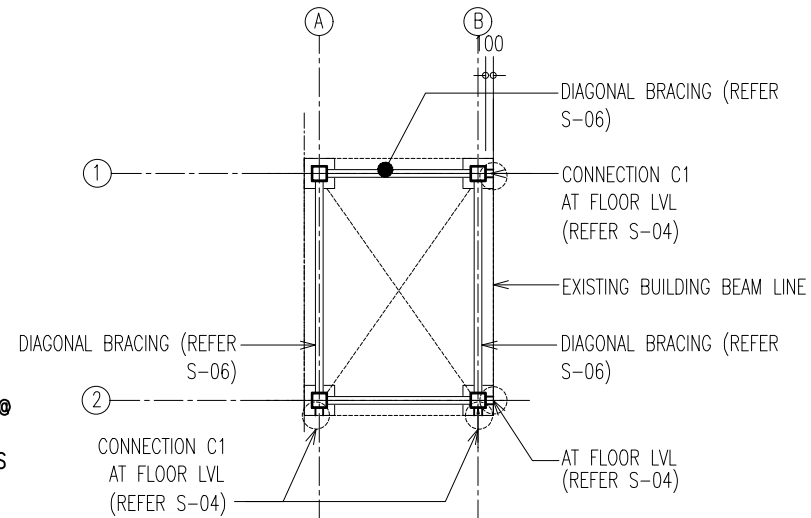
BEAM LAYOUT PLAN (1ST TO TERRACE FLR)
SCALE 1:100



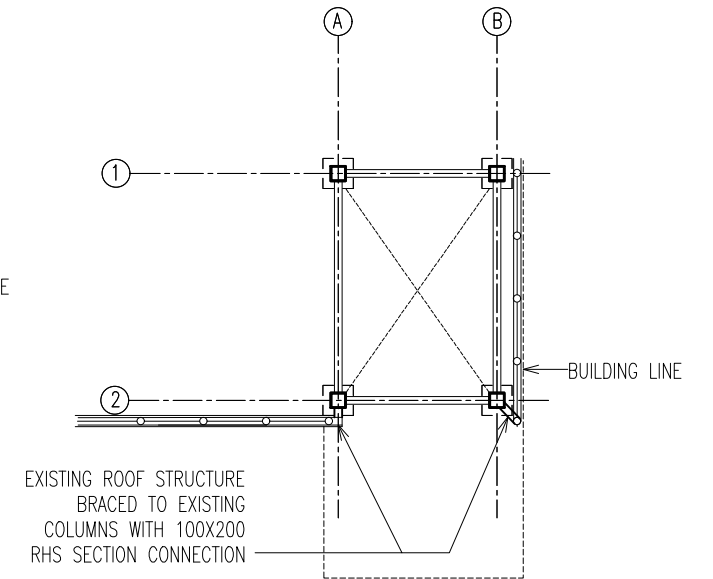
BEAM LAYOUT PLAN (ROOF LEVEL)
SCALE 1:100



ROOF STRUCTURE LAYOUT PLAN
SCALE 1:100



COLUMN - WALL CONNECTION & BRACING PLAN
SCALE 1:100



EXISTING ROOF STRUCTURE BRACING PLAN
SCALE 1:100

CONTRACTORS MUST CHECK ALL DIMENSIONS ON SITE BEFORE STARTING ANY WORK OR SHOP DRAWINGS. FIGURED DIMENSIONS TO TAKE PRECEDENCE OVER SCALE READINGS



REVISION NUMBER:	ARCHITECT: MOHAMED NASHATH
	ENGINEER: MARIYAM SAMAH
	ARCH. CHECKER: MOHAMMED HAMEEN
	STRUC. CHECKER: MOHAMMED ASHAN
	SENIOR TECHNICIAN: ASFAN AHMED

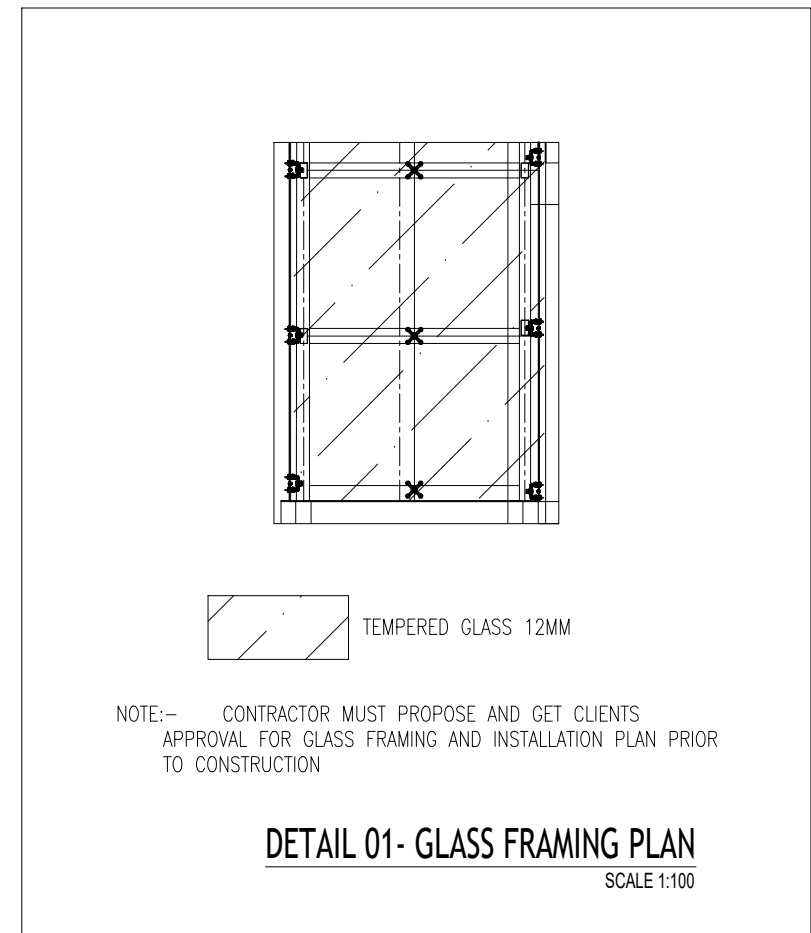
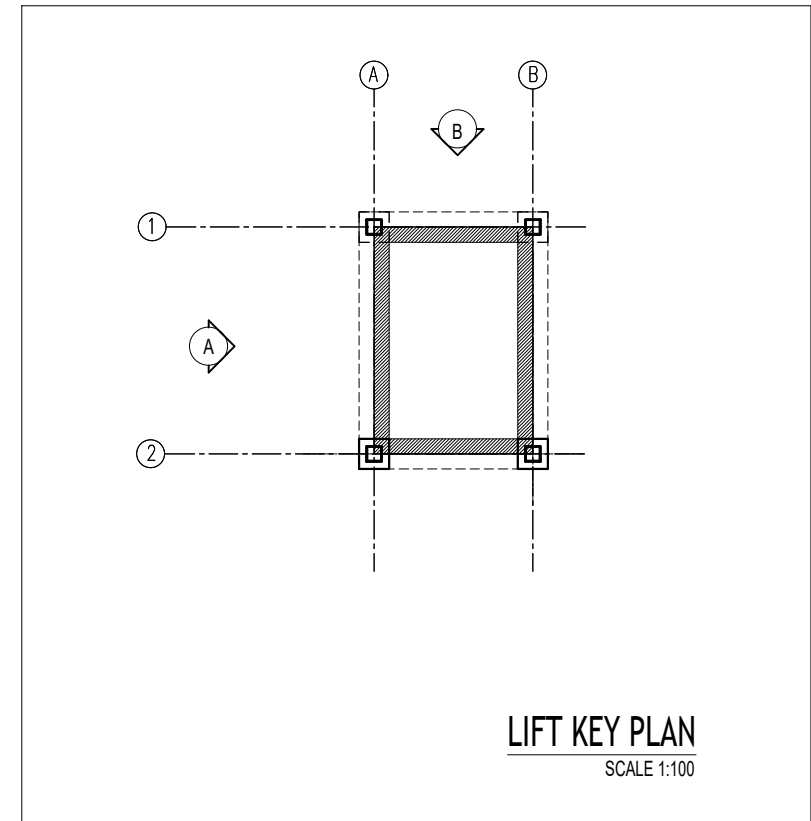
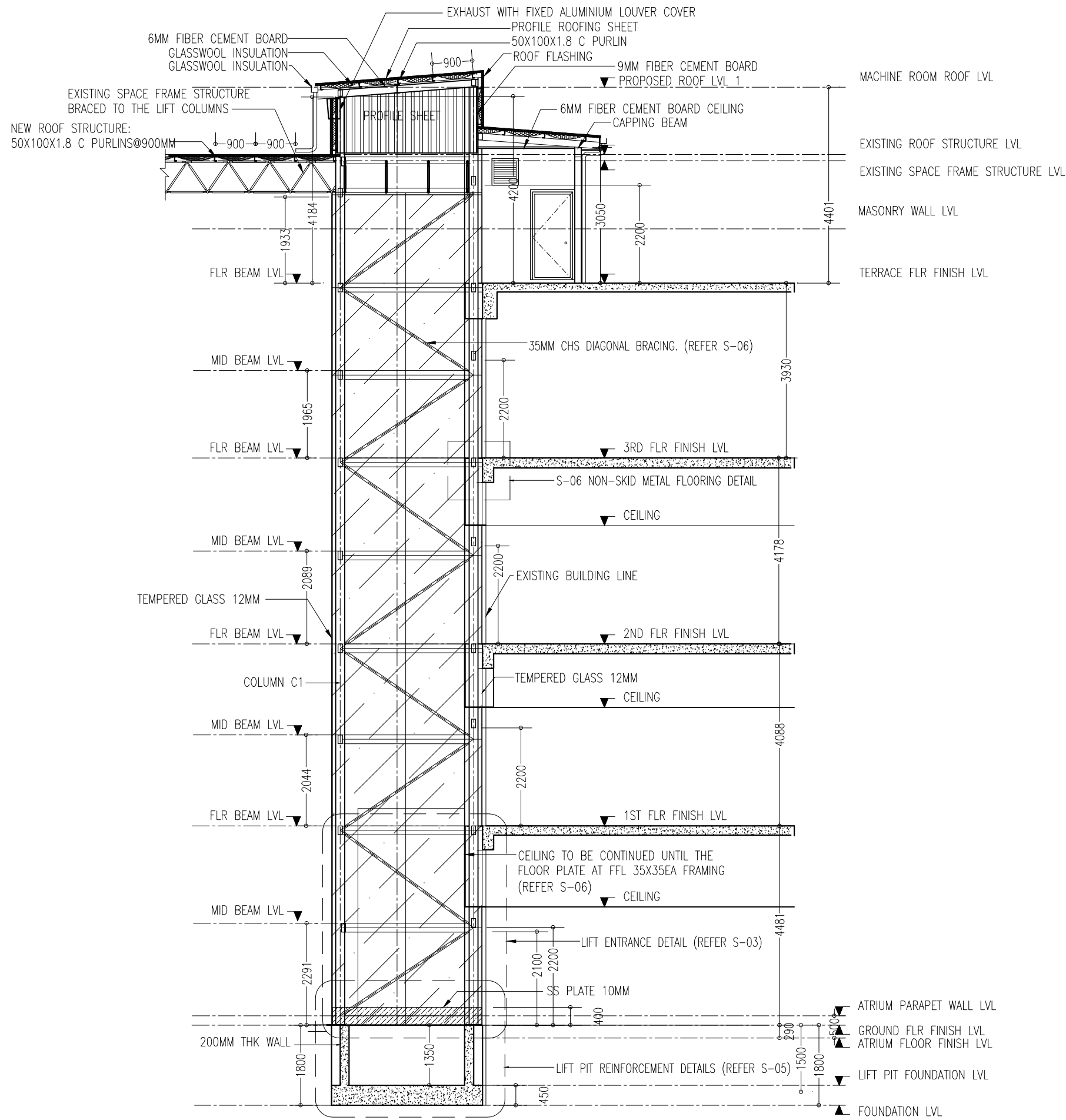
PROJECT: MALE POLYTECHNIC- PROPOSED LIFT MODIFICATION
LOCATION: K. MALE
DRAWING TITLE: AS GIVEN
CLIENT: MALE POLYTECHNIC-
SCALE: AS GIVEN
DIMENSION: MM
DATE: AUGUST, 2023

S-01

DWG NO

PROJECT NO: 23-017

CONCEPT AND DESIGN IN THIS DRAWING ARE THE PROPERTIES OF ARCHENG STUDIO PVT LTD. UNAUTHORIZED USE OR REPRODUCTION OF PART OF THE DESIGN, DRAWINGS OR CONCEPT TO USE IN OTHER PROJECTS OR SITES OTHER THAN SPECIFIED ON THIS DRAWING IS PROHIBITED



DIAGONAL BRACING DETAILS- VIEW A
SCALE 1:100

CONTRACTORS MUST CHECK ALL DIMENSIONS ON SITE BEFORE STARTING ANY WORK OR SHOP DRAWINGS FIGURED DIMENSIONS TO TAKE PRECEDENCE OVER SCALE READINGS



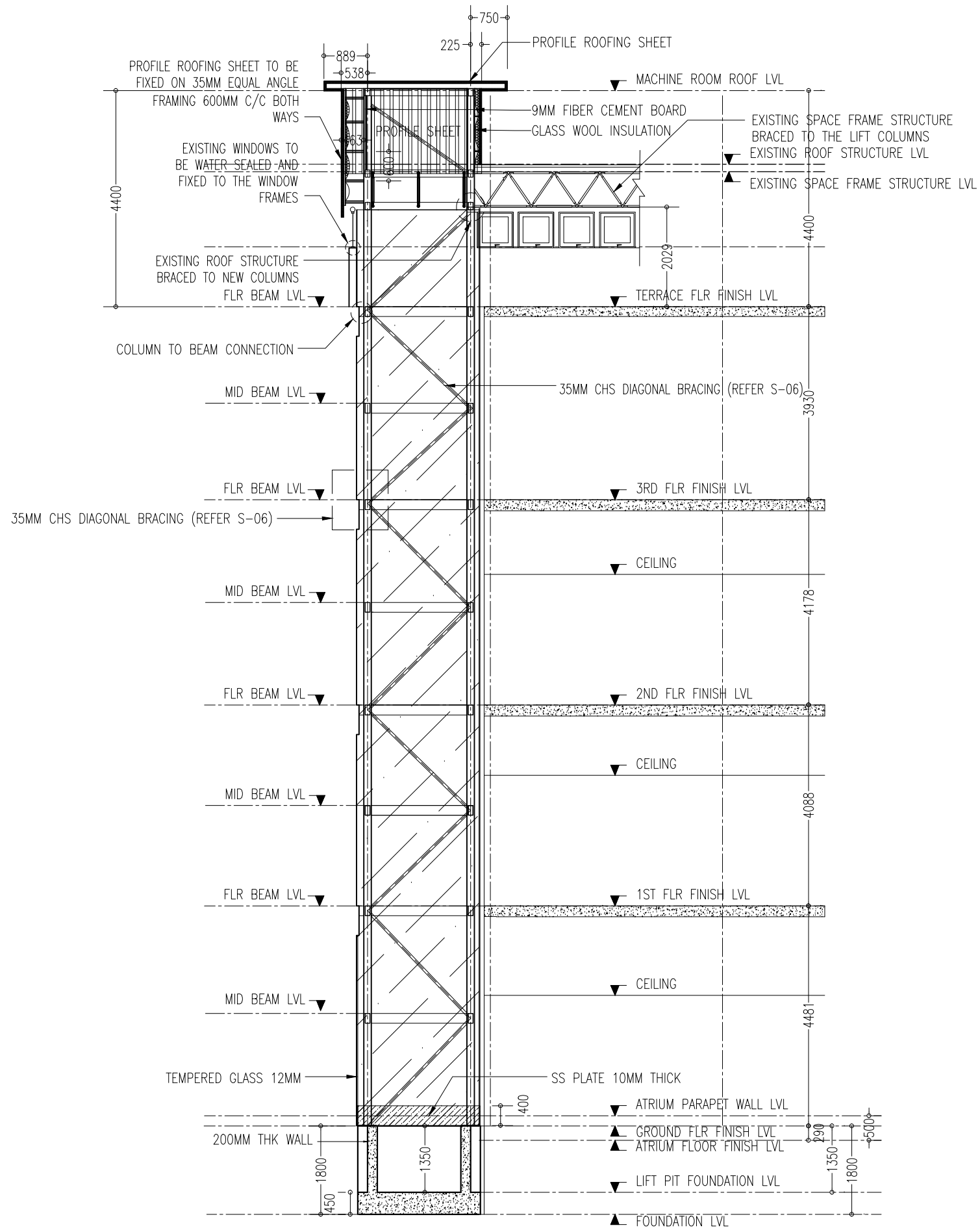
REVISION NUMBER:	ARCHITECT: MOHAMED NASHATH	PROJECT: MALE POLYTECHNIC- PROPOSED LIFT MODIFICATION
	ENGINEER: MARIYAM SAMAH	LOCATION: K. MALE
	ARCH. CHECKER: MOHAMMED HAMEEN	DRAWING TITLE: AS GIVEN
	STRUC. CHECKER: MOHAMMED ASHAN	CLIENT: MALE POLYTECHNIC-
	SENIOR TECHNICIAN: ASFAN AHMED	SCALE: AS GIVEN DIMENSION: MM DATE: AUGUST, 2023

S-02

DWG NO

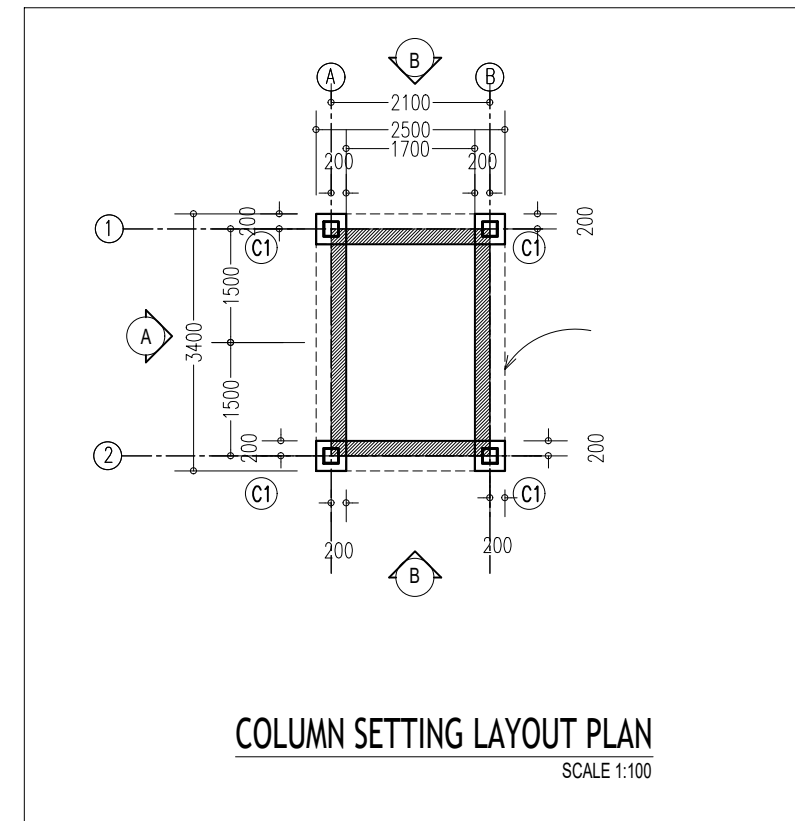
PROJECT NO: 23-017

CONCEPT AND DESIGN IN THIS DRAWING ARE THE PROPERTIES OF ARCHENG STUDIO PVT LTD. UNAUTHORIZED USE OR REPRODUCTION OF PART OF THE DESIGN, DRAWINGS OR CONCEPT TO USE IN OTHER PROJECTS OR SITES OTHER THAN SPECIFIED ON THIS DRAWING IS PROHIBITED

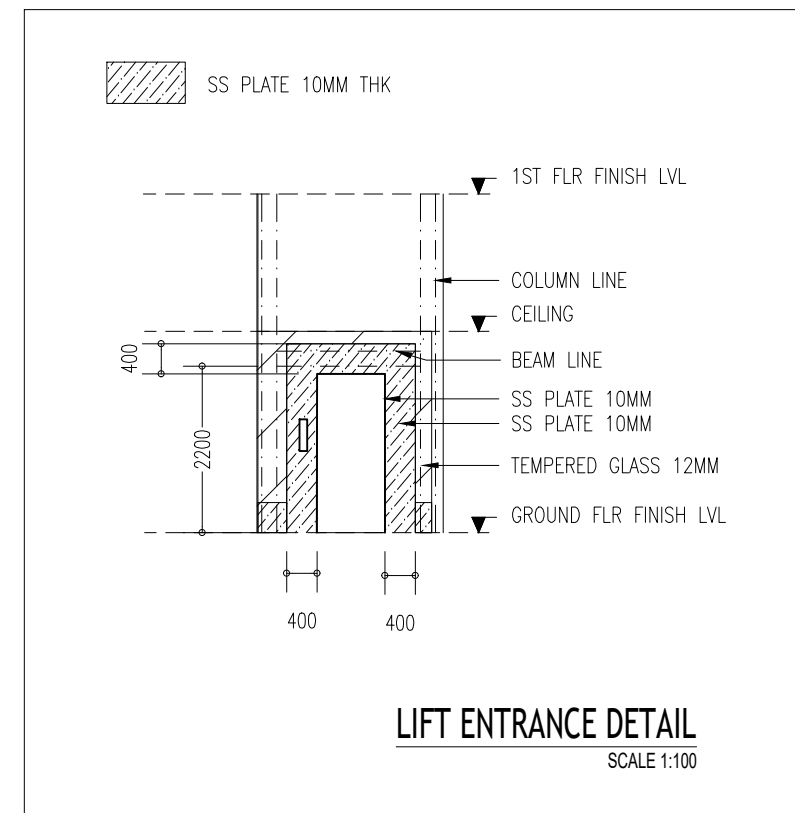


DIAGONAL BRACING DETAILS- VIEW B
SCALE 1:100

CONTRACTORS MUST CHECK ALL DIMENSIONS ON SITE BEFORE STARTING ANY WORK OR SHOP DRAWINGS FIGURED DIMENSIONS TO TAKE PRECEDENCE OVER SCALE READINGS



COLUMN SETTING LAYOUT PLAN
SCALE 1:100



LIFT ENTRANCE DETAIL
SCALE 1:100

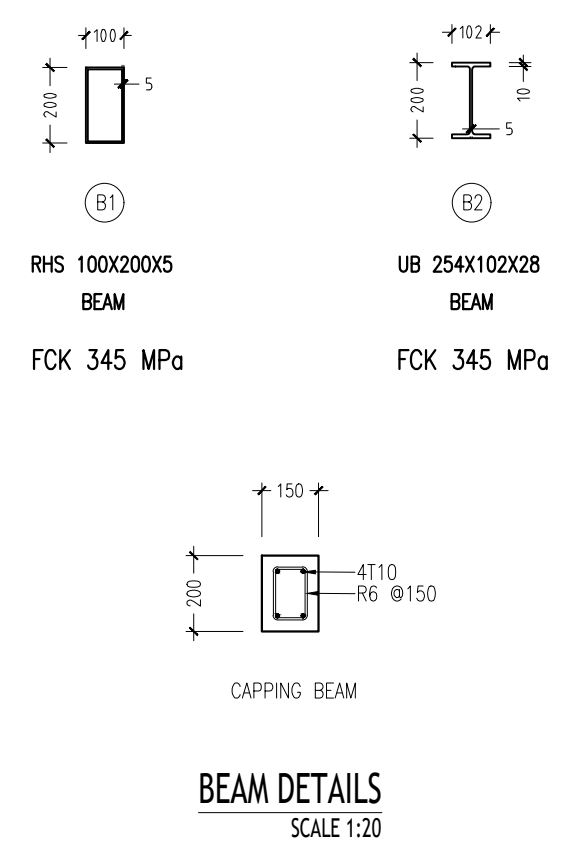
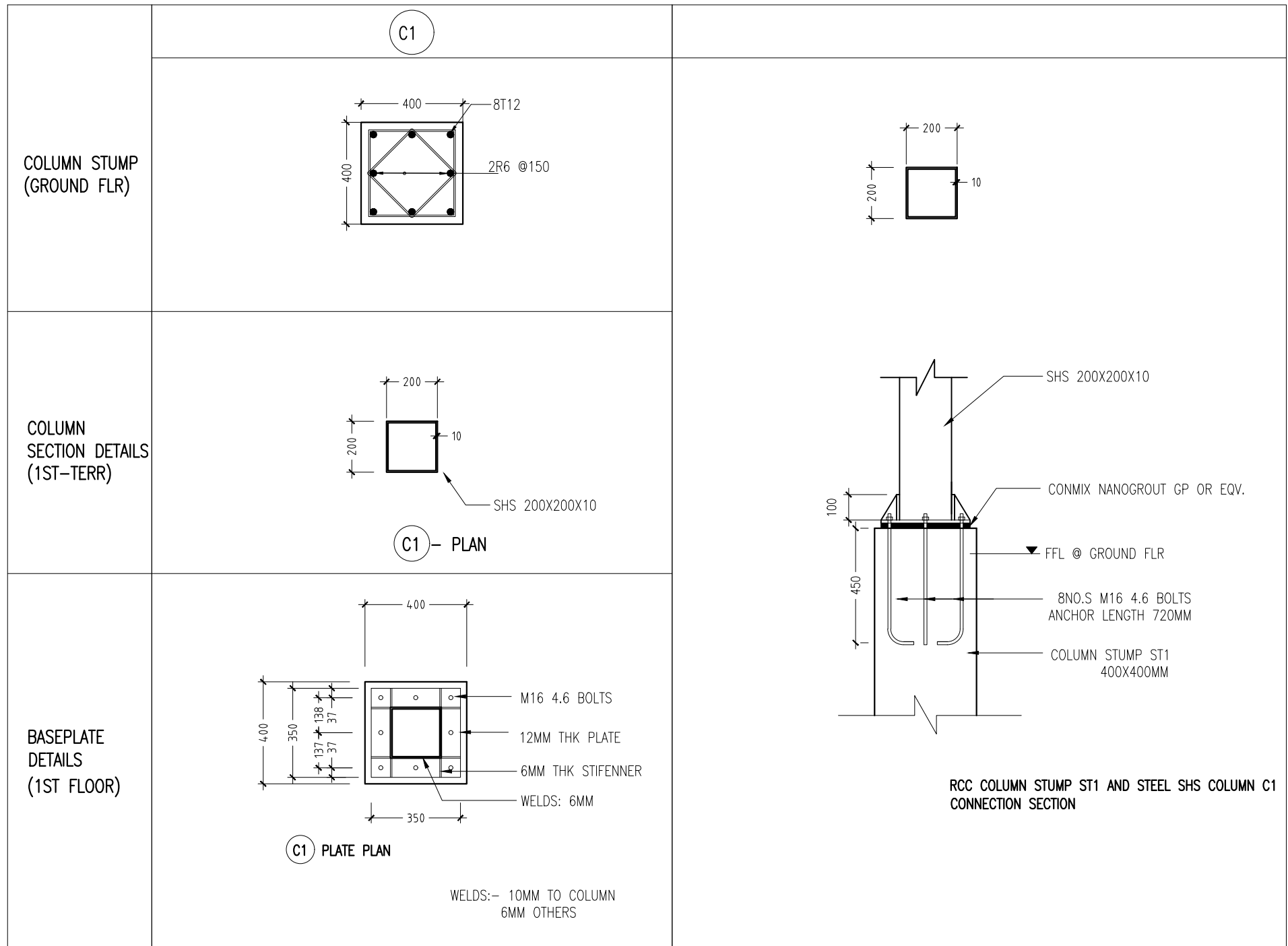


REVISION NUMBER:	ARCHITECT: MOHAMED NASHATH	PROJECT: MALE POLYTECHNIC- PROPOSED LIFT MODIFICATION
	ENGINEER: MARIYAM SAMAH	LOCATION: K. MALE
	ARCH. CHECKER: MOHAMMED HAMEEN	DRAWING TITLE: AS GIVEN
	STRUC. CHECKER: MOHAMMED ASHAN	CLIENT: MALE POLYTECHNIC-
	SENIOR TECHNICIAN: ASFAN AHMED	SCALE: AS GIVEN
		DIMENSION: MM
		DATE: AUGUST, 2023

S-03

DWG NO
PROJECT NO: 23-017

CONCEPT AND DESIGN IN THIS DRAWING ARE THE PROPERTIES OF ARCHENG STUDIO PVT LTD. UNAUTHORIZED USE OR REPRODUCTION OF PART OF THE DESIGN, DRAWINGS OR CONCEPT TO USE IN OTHER PROJECTS OR SITES OTHER THAN SPECIFIED ON THIS DRAWING IS PROHIBITED



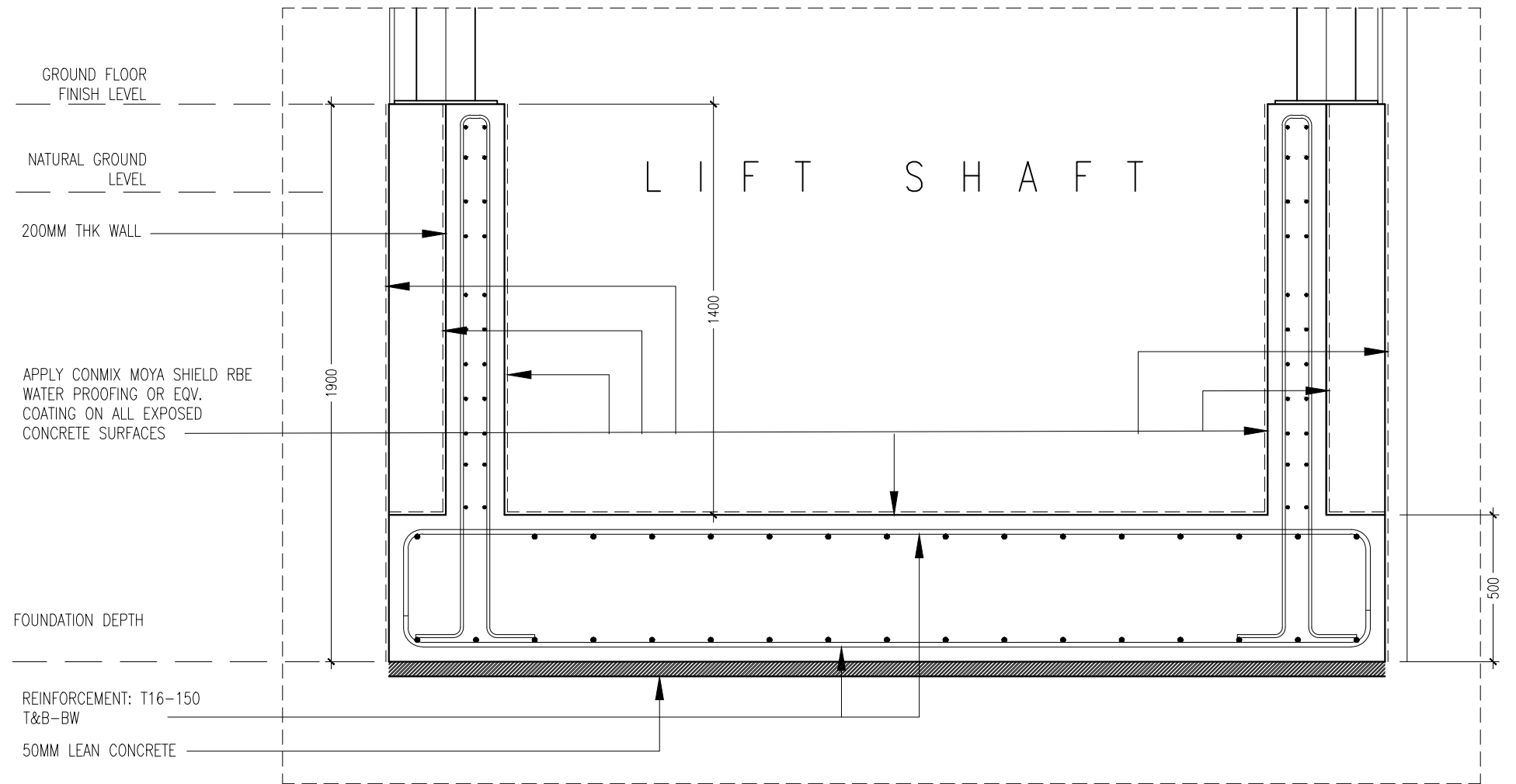
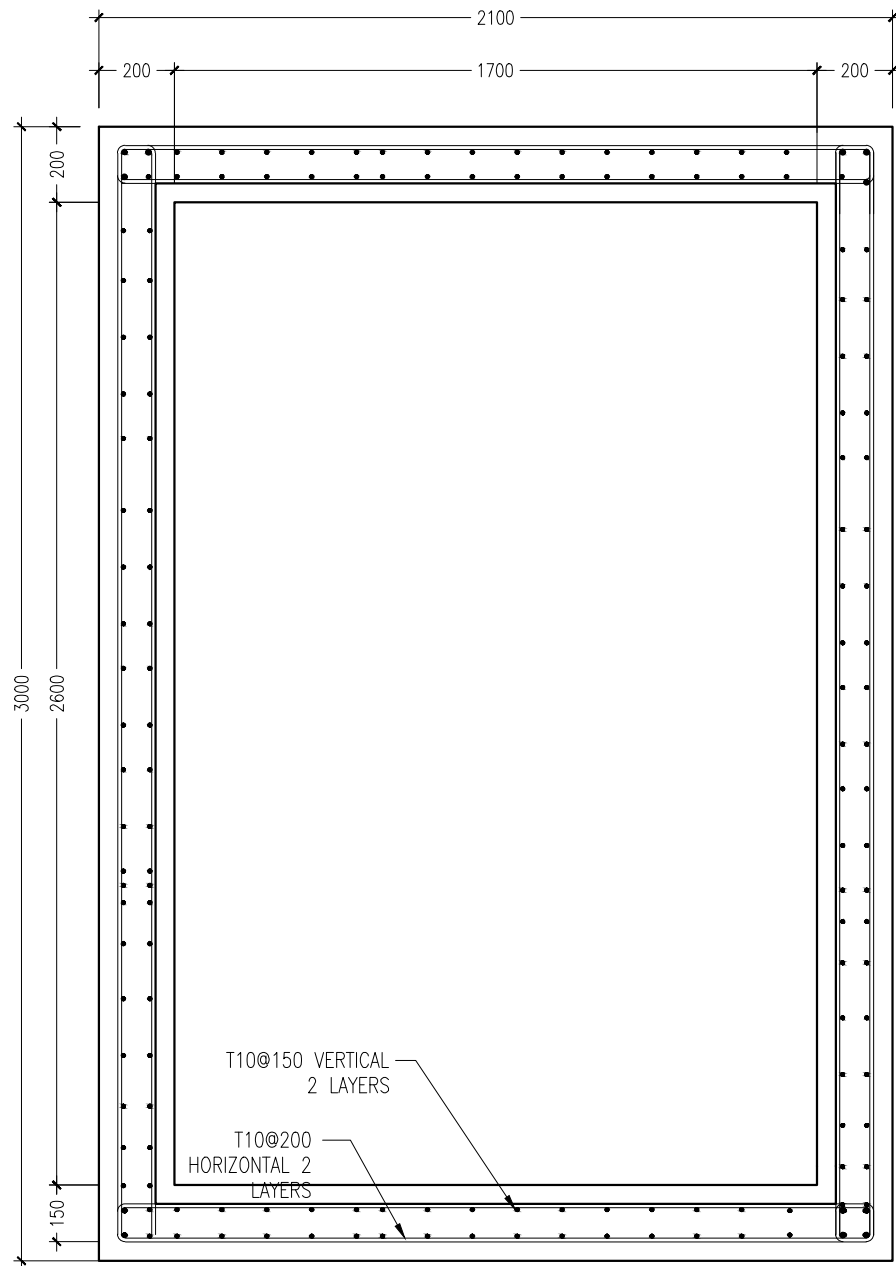
COLUMN C1 CONNECTION DETAILS
SCALE 1:20

CONTRACTORS MUST CHECK ALL DIMENSIONS ON SITE BEFORE STARTING ANY WORK OR SHOP DRAWINGS. FIGURED DIMENSIONS TO TAKE PRECEDENCE OVER SCALE READINGS



REVISION NUMBER:	ARCHITECT: MOHAMED NASHATH	PROJECT: MALE POLYTECHNIC- PROPOSED LIFT MODIFICATION	S-04 DWG NO
	ENGINEER: MARIYAM SAMAH	LOCATION: K. MALE	
	ARCH. CHECKER: MOHAMMED HAMEEN	DRAWING TITLE: AS GIVEN	
	STRUC. CHECKER: MOHAMMED ASHAN	CLIENT: MALE POLYTECHNIC-	
	SENIOR TECHNICIAN: ASFAN AHMED	SCALE: AS GIVEN DIMENSION: MM DATE: AUGUST, 2023	
PROJECT NO.: 23-017			

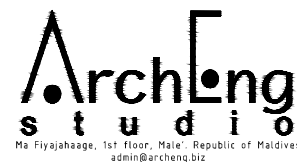
CONCEPT AND DESIGN IN THIS DRAWING ARE THE PROPERTIES OF ARCHENG STUDIO PVT LTD. UNAUTHORIZED USE OR REPRODUCTION OF PART OF THE DESIGN, DRAWINGS OR CONCEPT TO USE IN OTHER PROJECTS OR SITES OTHER THAN SPECIFIED ON THIS DRAWING IS PROHIBITED



LIFT PIT REINFORCEMENT DETAILS
SCALE 1:20

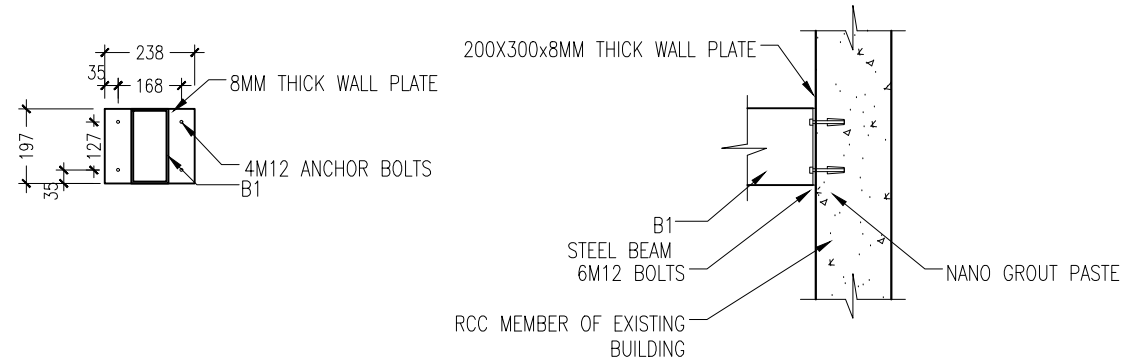
NOTE :
LIFT MANUFACTURES APPROVAL
TO BE OBTAINED TO CASTING OF
LIFT WELL

CONTRACTORS MUST
CHECK ALL
DIMENSIONS ON SITE
BEFORE STARTING
ANY WORK OR SHOP
DRAWINGS FIGURED
DIMENSIONS TO TAKE
PRECEDENCE OVER
SCALE READINGS



REVISION NUMBER:	ARCHITECT: MOHAMED NASHATH	PROJECT: MALE POLYTECHNIC- PROPOSED LIFT MODIFICATION	S-05 DWG NO PROJECT NO: 23-017
	ENGINEER: MARIYAM SAMAH	LOCATION: K. MALE	
	ARCH. CHECKER: MOHAMMED HAMEEN	DRAWING TITLE: AS GIVEN	
	STRUC. CHECKER: MOHAMMED ASHAN	CLIENT: MALE POLYTECHNIC-	
	SENIOR TECHNICIAN: ASFAN AHMED	SCALE: AS GIVEN DIMENSION: MM DATE: AUGUST, 2023	

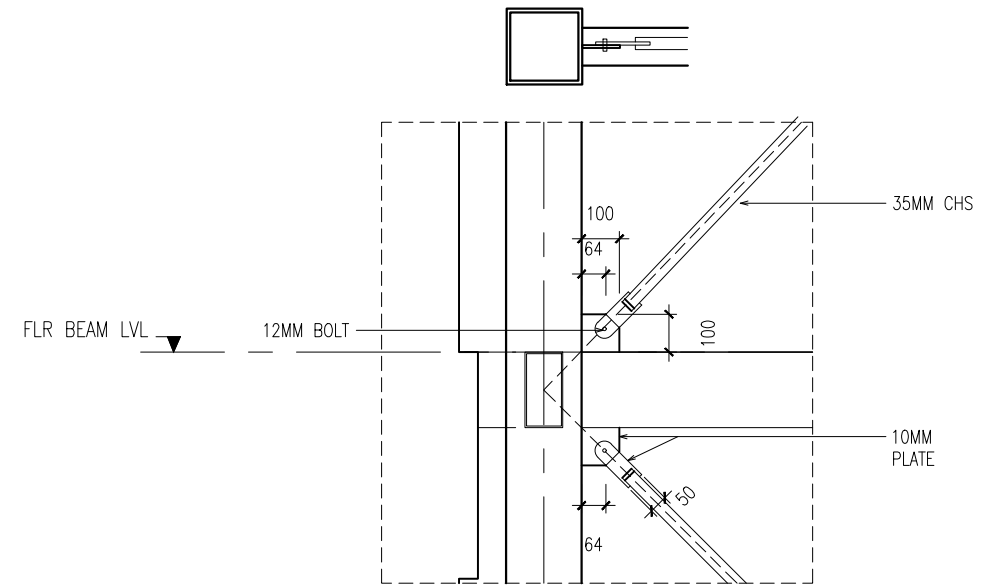
CONCEPT AND DESIGN IN THIS DRAWING ARE THE PROPERTIES OF ARCHENG STUDIO PVT LTD. UNAUTHORIZED USE OR REPRODUCTION OF PART OF THE DESIGN, DRAWINGS OR CONCEPT TO USE IN OTHER PROJECTS OR SITES OTHER THAN SPECIFIED ON THIS DRAWING IS PROHIBITED



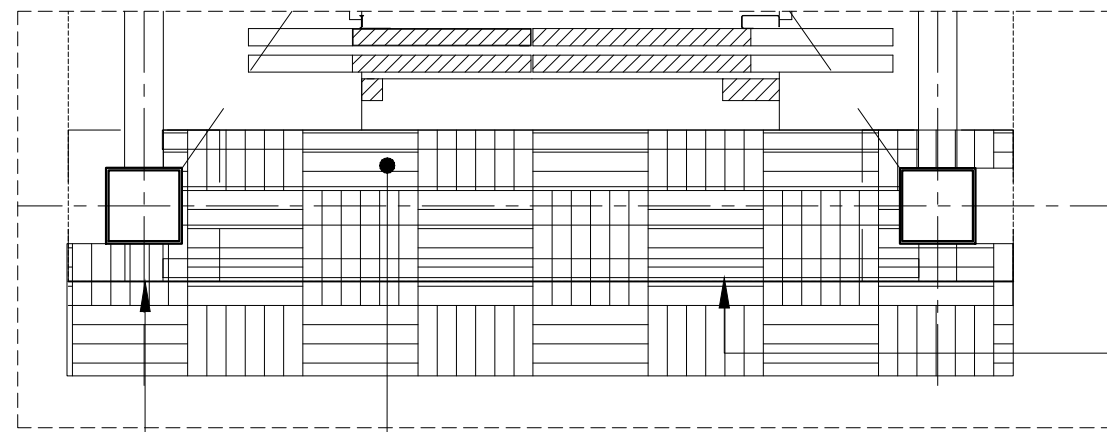
(C1) CONNECTION DETAIL 01 (ELEVATION VIEW)

(C1) CONNECTION DETAIL 01 (SECTION VIEW)

COLUMN TO WALL CONNECTION (C1) DETAILS
DETAIL FROM CONNECTION PLAN S-01
 SCALE 1:20

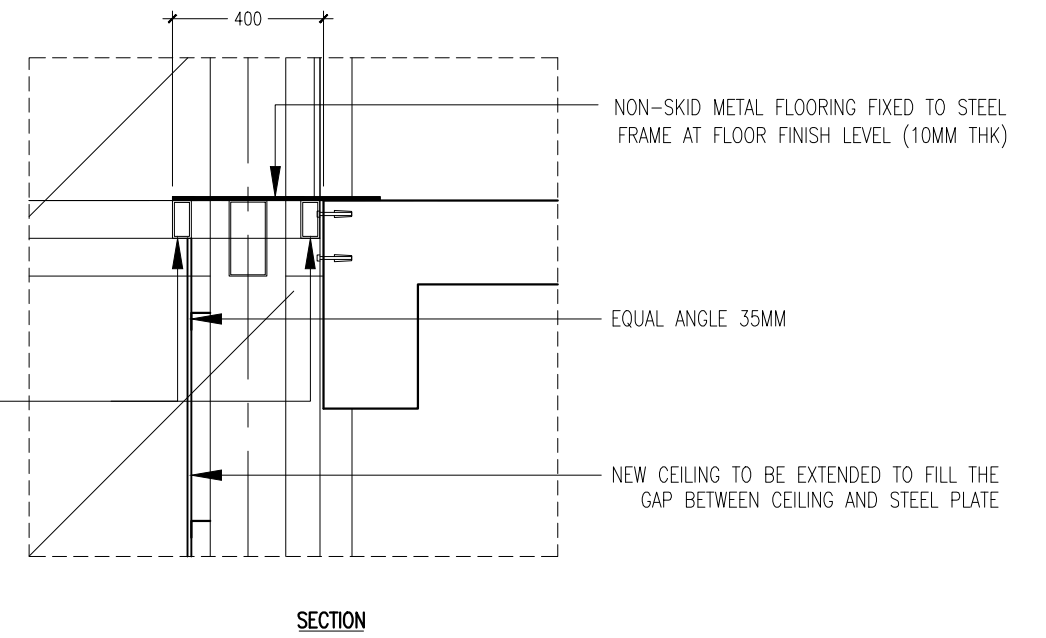


DIAGONAL BRACING CONNECTION DETAIL
 SCALE 1:20



NON-SKID METAL FLOORING FIXED TO STEEL FRAME AT FLOOR FINISH LEVEL (10MM THK)

NON-SKID METAL FLOORING DETAIL
 SCALE 1:20



CONTRACTORS MUST CHECK ALL DIMENSIONS ON SITE BEFORE STARTING ANY WORK OR SHOP DRAWINGS FIGURED DIMENSIONS TO TAKE PRECEDENCE OVER SCALE READINGS



REVISION NUMBER:	ARCHITECT: MOHAMED NASHATH	PROJECT: MALE POLYTECHNIC- PROPOSED LIFT MODIFICATION	S-06 DWG NO
	ENGINEER: MARIYAM SAMAH	LOCATION: K. MALE	
	ARCH. CHECKER: MOHAMMED HAMEEN	DRAWING TITLE: AS GIVEN	
	STRUC. CHECKER: MOHAMMED ASHAN	CLIENT: MALE POLYTECHNIC-	
	SENIOR TECHNICIAN: ASFAN AHMED	SCALE: AS GIVEN DIMENSION: MM DATE: AUGUST, 2023	
PROJECT NO.: 23-017			

CONCEPT AND DESIGN IN THIS DRAWING ARE THE PROPERTIES OF ARCHENG STUDIO PVT LTD. UNAUTHORIZED USE OR REPRODUCTION OF PART OF THE DESIGN, DRAWINGS OR CONCEPT TO USE IN OTHER PROJECTS OR SITES OTHER THAN SPECIFIED ON THIS DRAWING IS PROHIBITED

Basic Specifications

Horizontal Dimensions <1-Door 1-Gate & 1-Door 2-Gate>

Code number	Number of persons	Rated speed (m/sec)	Rated Capacity (kg)	Door type	Entrance width (mm) JJ	Counter-weight position	Dimensions (mm) AAxBB	Minimum hoistway dimensions (mm) AHxBH (car)			
								1-Door 1-Gate		1-Door 2-Gate	
								Without fireproof landing door	With fireproof landing door	Without fireproof landing door	With fireproof landing door
P6	6	1.0 1.6 1.75	450	25	800	Side	1000x1300	1550x1740	1550x1740	Not applicable	Not applicable
P8	8		630	CO	900: Standard		1100x1400	1950x1720	2000x1735	1965x1860	2000x1890
					800: Optional		1800x1720	1820x1735	1865x1860	1885x1890	
					900: Standard		1650x1800	1650x1800	1715x2002	1715x2002	
P11	11		825	CO	800: Optional		1350x1400	2025x1720	2050x1735	2090x1860	2115x1890
					900: Standard		1925x1720	1945x1735	1925x1860	1945x1890	
					1100: Optional		1900x1800	1900x1800	1900x2002	1900x2002	
P13	13		1000	CO	1100: Standard		1600x1400	2350x1720	2400x1735	2415x1860	2440x1890
					900: Optional		2150x1720	2175x1735	2150x1860	2175x1890	
				25	1100		1100x2100	2150x1800	2150x1800	2150x2002	2150x2002
					900: Standard		1950x2420	2000x2435	1950x2560	2000x2590	
				CO	800: Optional		1800x2420	1820x2435	1800x2560	1820x2590	
		900			1650x2500	1650x2500	1650x2702	1650x2702			

[Terms of the table]

- This table shows standard specifications without counterweight safety. Please consult our local agents for other specifications.
- CO: 2-panel center opening doors, 25: 2-panel side opening doors.
- Minimum hoistway dimensions (AH and BH) shown in the table are after waterproofing of the pit and do not include plumb tolerance.

Vertical Dimensions <1-Door 1-Gate & 1-Door 2-Gate>

Rated speed (m/sec)	Travel (m) TR	Maximum number of floors	Minimum overhead (mm) OH ¹		Minimum pit depth (mm) PD ²	Minimum floor to floor height (mm)
			MITSUBISHI ELECTRIC Standard ²	EN81-20/50:2014		
1.0	TR ≤ 30	22	3650	3750	1330	MITSUBISHI ELECTRIC Standard: 2500 EN81-20/50:2014: 2600
	30 < TR ≤ 60		3700	3800	1330	
1.6	TR ≤ 30	30	3800 [3650]	3850 [3700]	1410 [1310]	
	30 < TR ≤ 60		3850 [3700]	3900 [3750]	1500 [1310]	
	60 < TR ≤ 80		3850 [3700]	3900 [3750]	1550 [1310]	
	80 < TR ≤ 105 ³		3900 [3750]	3950 [3800]	1550 [1310]	
	TR ≤ 30		3850 [3650]	3950 [3700]	1460 [1310]	
	30 < TR ≤ 60		3900 [3700]	4000 [3750]	1550 [1310]	
1.75	60 < TR ≤ 80	3900 [3700]	4000 [3750]	1600 [1310]		
	80 < TR ≤ 105 ³	3950 [3750]	4050 [3800]	1600 [1310]		

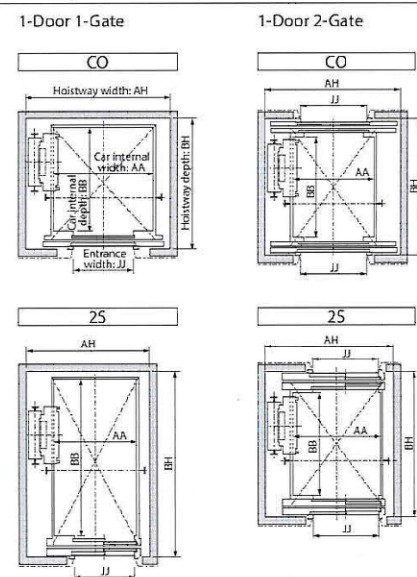
[Terms of the table]

- This table shows standard specifications without counterweight safety. Please consult our local agents for other specifications.
- Some specifications require a minimum floor height of more than 2500mm (MITSUBISHI ELECTRIC Standard) or 2600mm (EN81-20/50:2014). Please consult our local agents if the floor height is less than entrance height HH + 700mm, and the elevator is 1-Door 2-Gate.

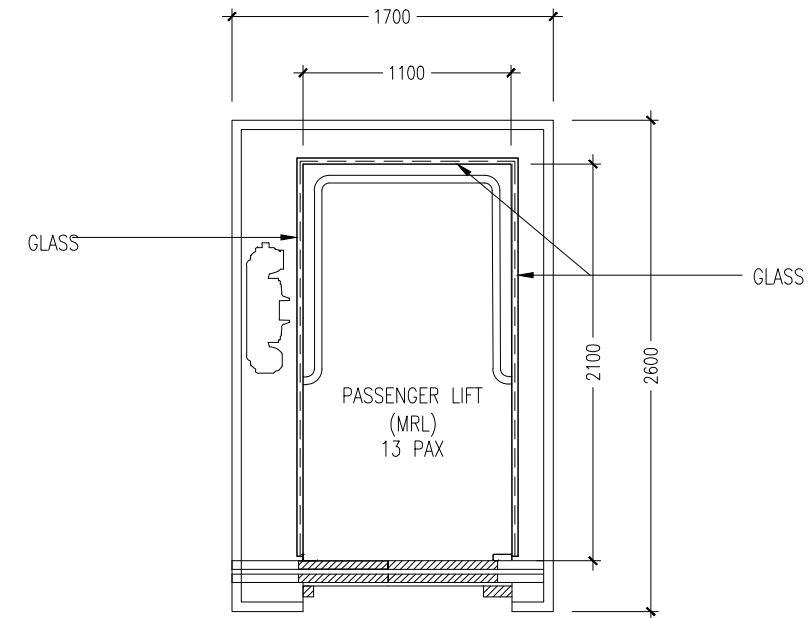
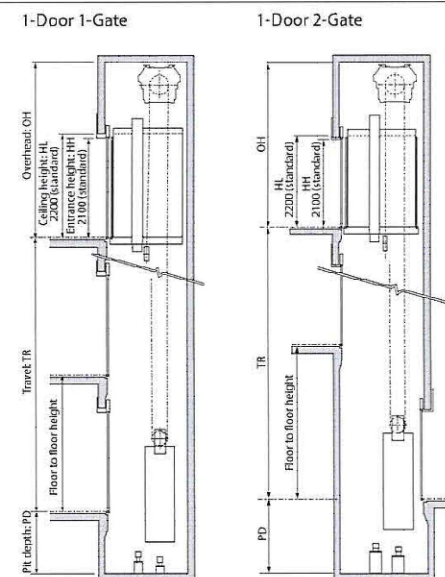
Notes:

- ¹: Overhead dimensions of elevators equipped with the Smooth Emergency Terminal Slowdown (SETS) feature (Optional) are given in parentheses. Please consult our local agents for details.
- ²: MITSUBISHI ELECTRIC Standard is a specification that has been designed according to our design criteria. The car size is designed to comply with ISO 8100-30:2019.
- ³: P11 and P13 only.

Hoistway Plan



Elevation



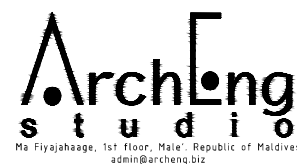
LIFT REQUIREMENTS

LIFT BRAND:	THE LIFT MUST BE FROM AN AUTHORISED SUPPLIER ESTABLISHED IN THE MALDIVES AND APPROVED BY THE CLIENT
NO OF PERSONS :	10-14 PAX.
LIFT TYPE :	MACHINE-ROOM-LESS LIFT (MRL) OBSERVATION TYPE (REAR AND BOTH SIDES AS SHOWN)
MINIMUM DOOR WIDTH:	900 MM
MINIMUM LIFT CAR INTERNAL DIMENSION :	1100MM WIDTH 1800MM LENGTH
OTHERS:	1 NOS. SECURITY CAMERA LIFT SUPPLIER MUST BE ABLE TO PROVIDE LIFT MAINTENANCE SERVICE

NOTE :- THIS DRAWING SHOWS THE LIFT SPECIFICATIONS OF A TYPICAL PASSENGER LIFT (13PAX). LIFT DIMENSIONS MAY VARY FROM BRAND TO BRAND. ANY REVISIONS TO THE DETAILED DRAWINGS CAN ONLY BE MADE WITH CLIENTS APPROVAL.

LIFT SPECIFICATION SCALE 1:20

CONTRACTORS MUST CHECK ALL DIMENSIONS ON SITE BEFORE STARTING ANY WORK OR SHOP DRAWINGS FIGURED DIMENSIONS TO TAKE PRECEDENCE OVER SCALE READINGS



REVISION NUMBER:	ARCHITECT: MOHAMED NASHATH	PROJECT: MALE POLYTECHNIC- PROPOSED LIFT MODIFICATION	S-07 DWG NO
	ENGINEER: MARIYAM SAMAH	LOCATION: K. MALE	
	ARCH. CHECKER: MOHAMMED HAMEEN	DRAWING TITLE: AS GIVEN	
	STRUC. CHECKER: MOHAMMED ASHAN	CLIENT: MALE POLYTECHNIC-	
	SENIOR TECHNICIAN: ASFAN AHMED	SCALE: AS GIVEN DIMENSION: MM DATE: AUGUST, 2023	
CONCEPT AND DESIGN IN THIS DRAWING ARE THE PROPERTIES OF ARCHENG STUDIO PVT LTD. UNAUTHORIZED USE OR REPRODUCTION OF PART OF THE DESIGN, DRAWINGS OR CONCEPT TO USE IN OTHER PROJECTS OR SITES OTHER THAN SPECIFIED ON THIS DRAWING IS PROHIBITED			