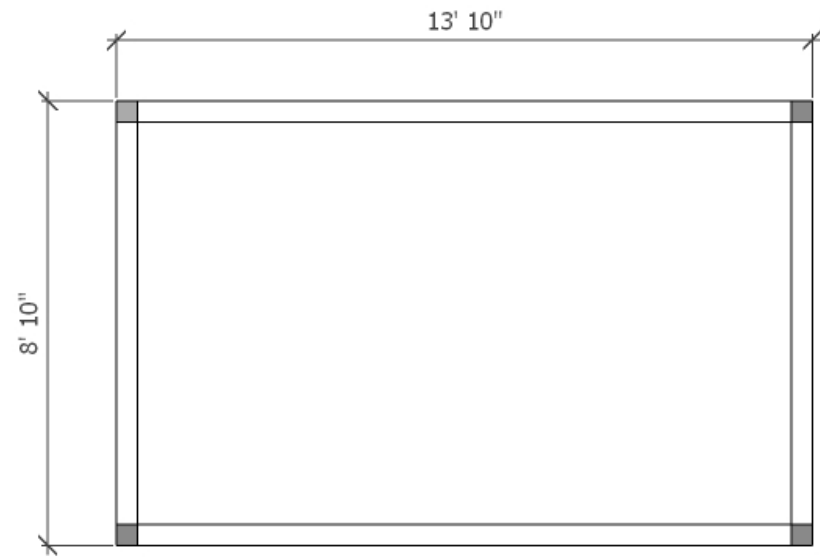


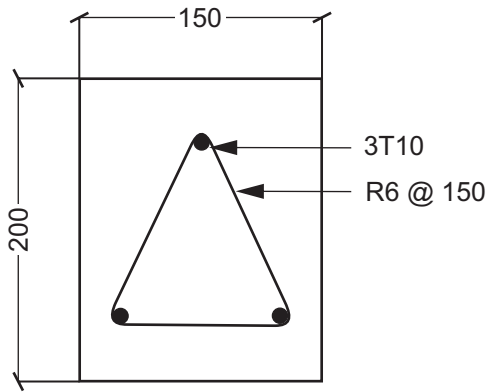
**FOUNDATION PLAN**

NOT TO SCALE

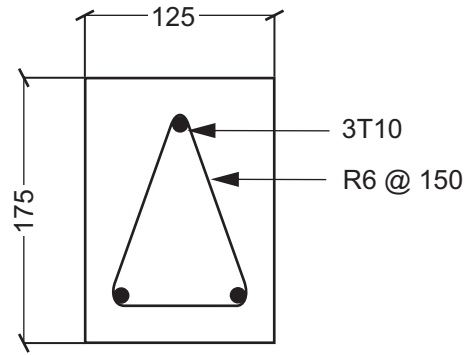


**ROOF BEAM PLAN**

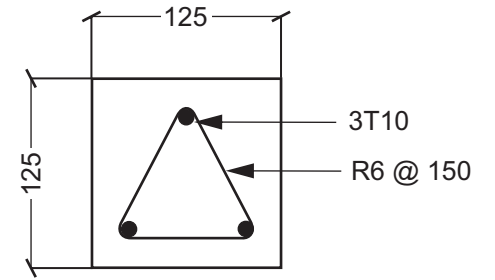
NOT TO SCALE



FOUNDATION BEAM



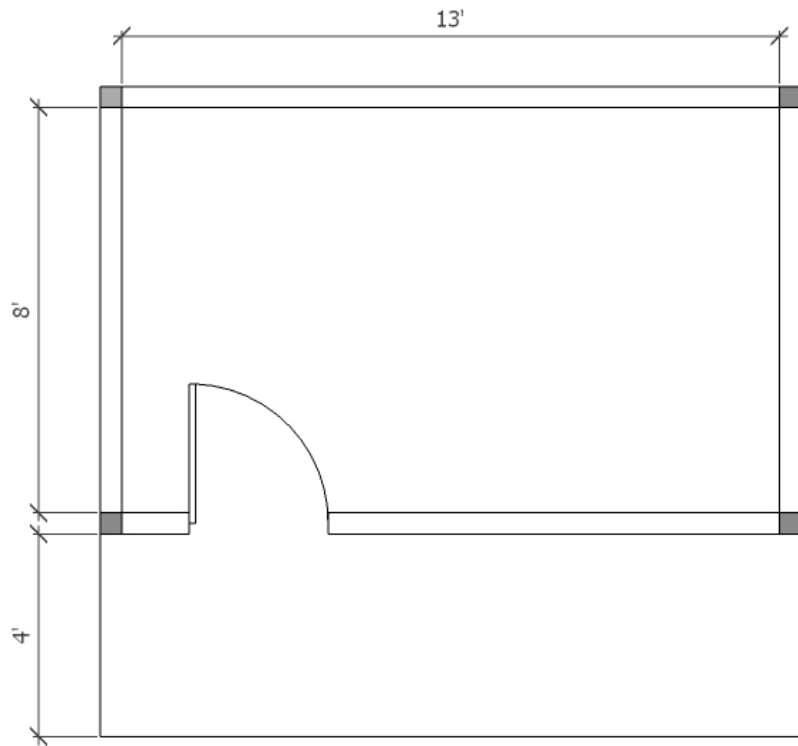
ROOF BEAM



COLUMN

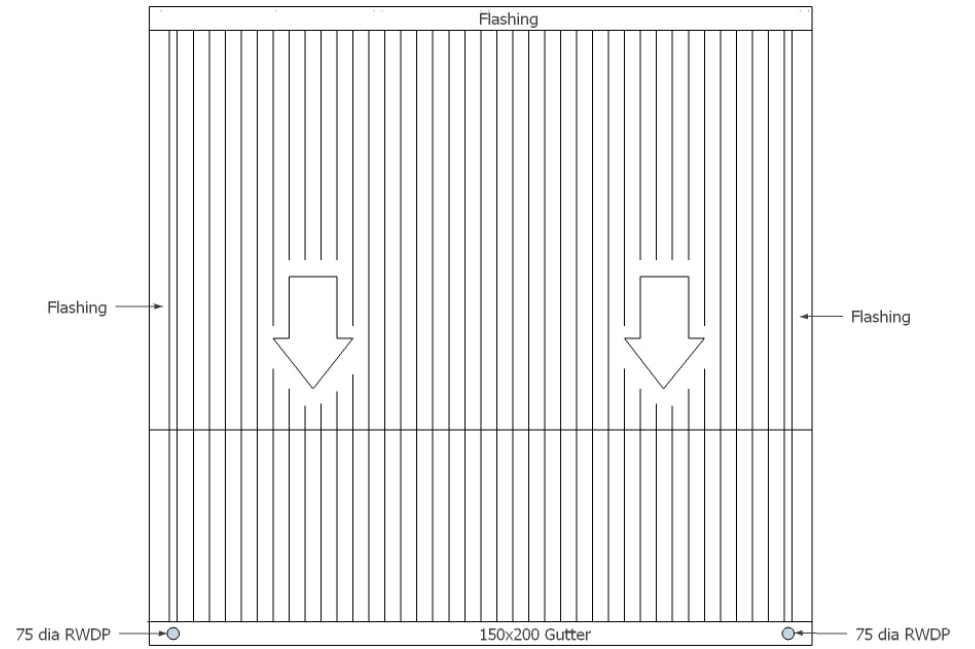
## STRUCTURAL DETAILS

SCALE 1 : 5



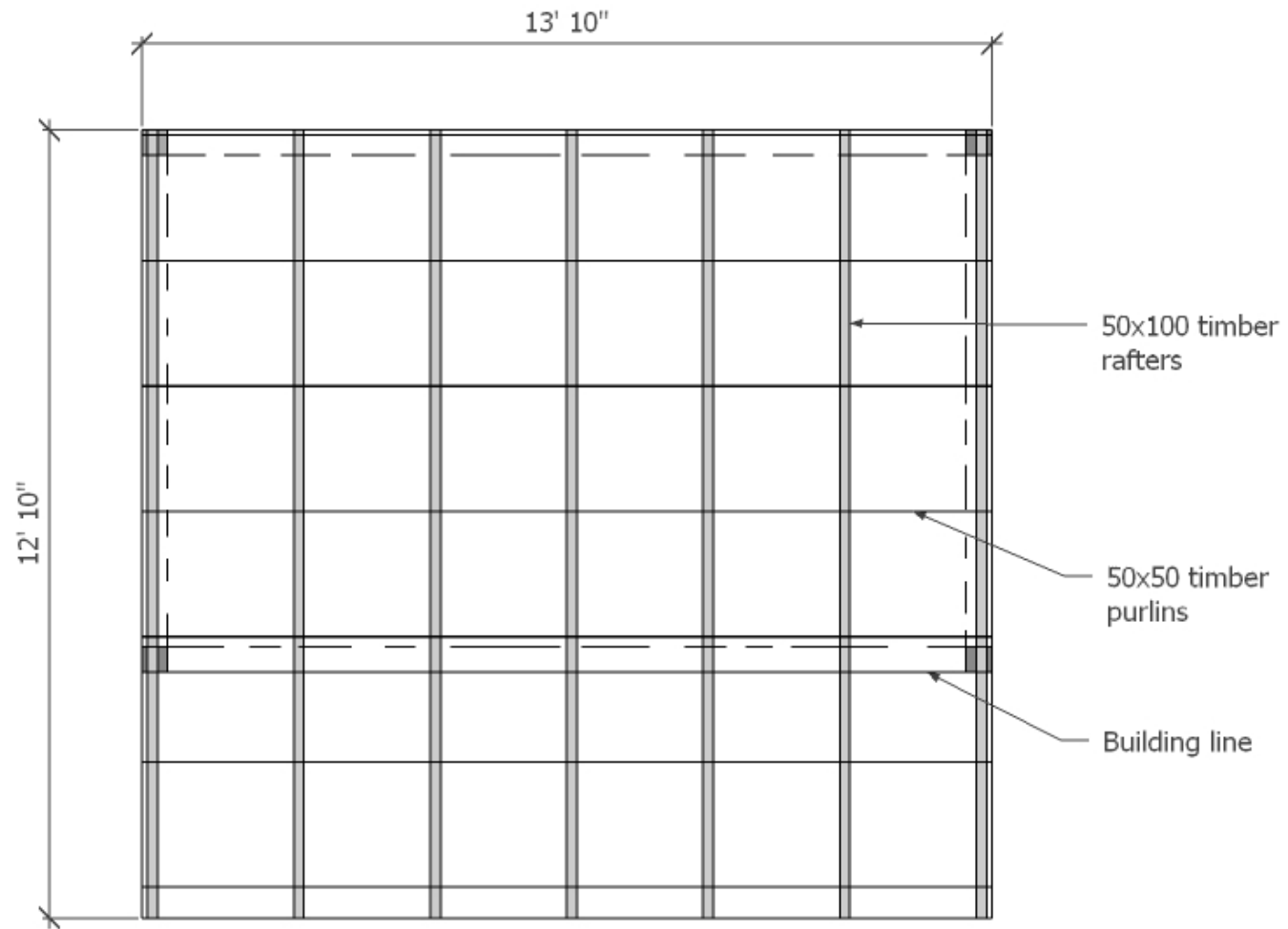
## FLOOR PLAN

NOT TO SCALE



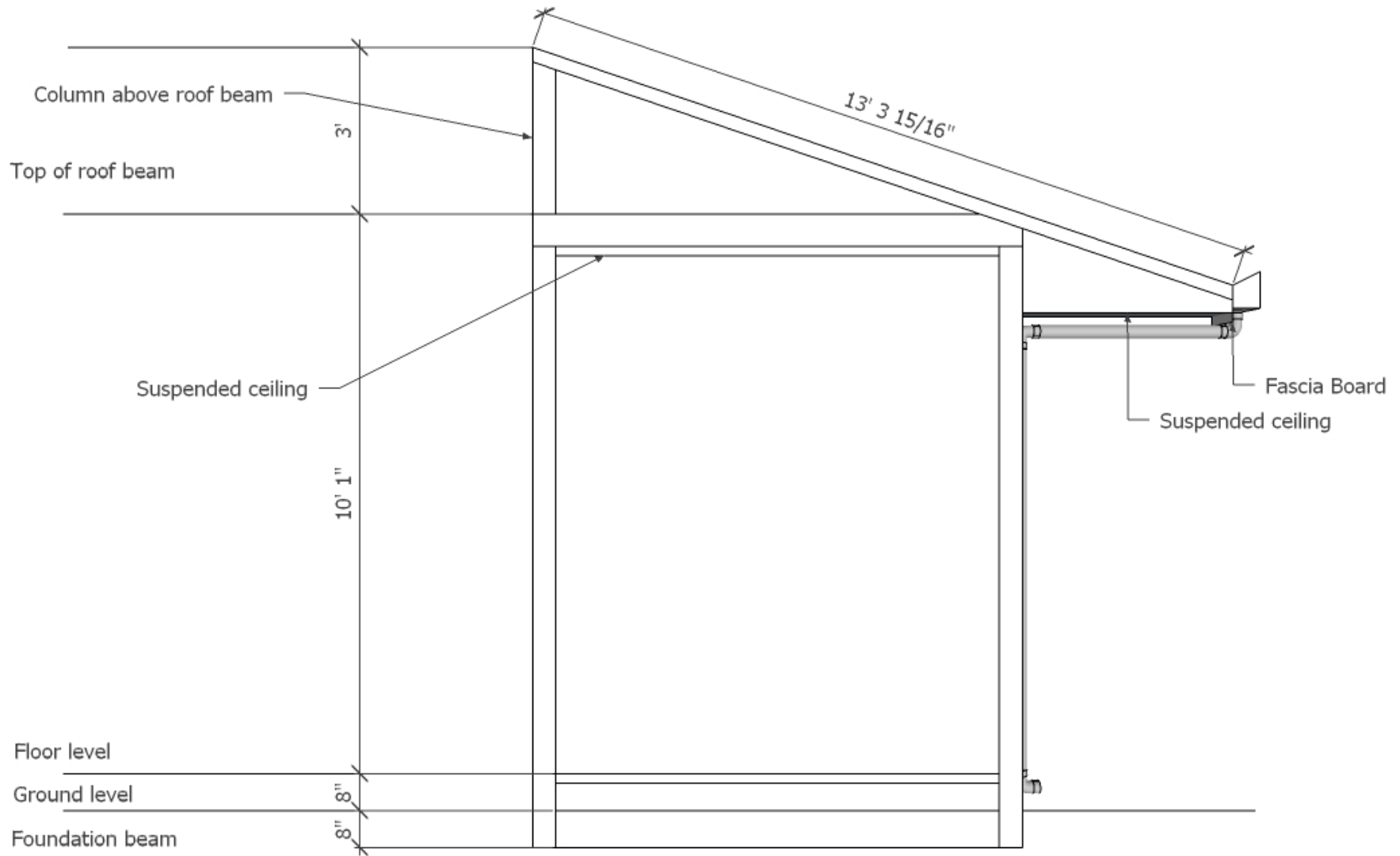
## ROOF PLAN

NOT TO SCALE



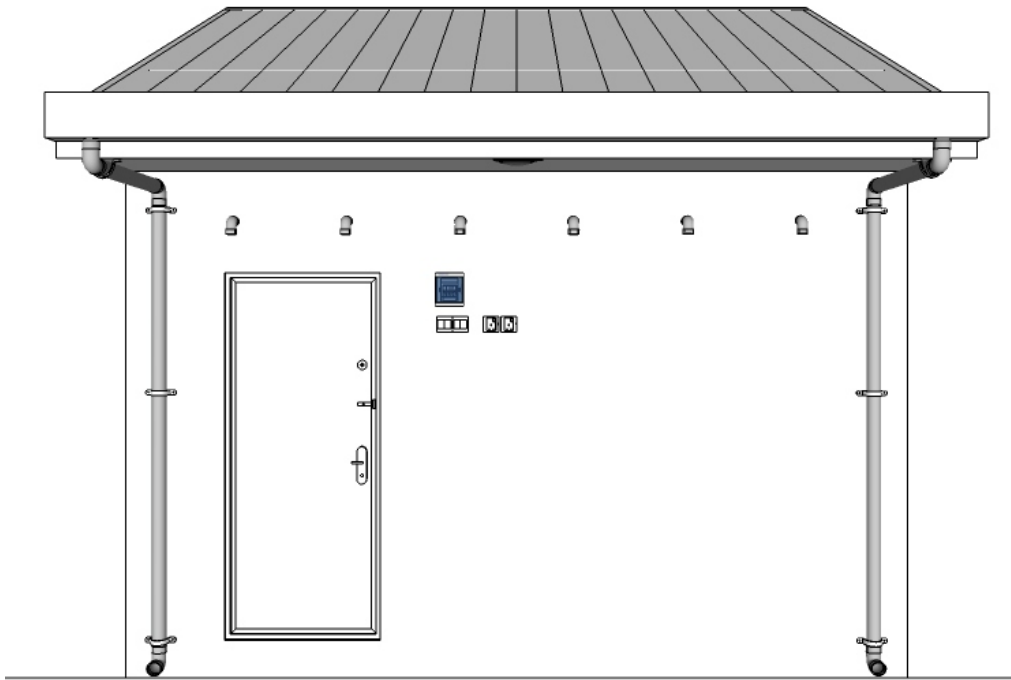
## **ROOF STRUCTURE PLAN**

NOT TO SCALE



**CROSS SECTION**

NOT TO SCALE



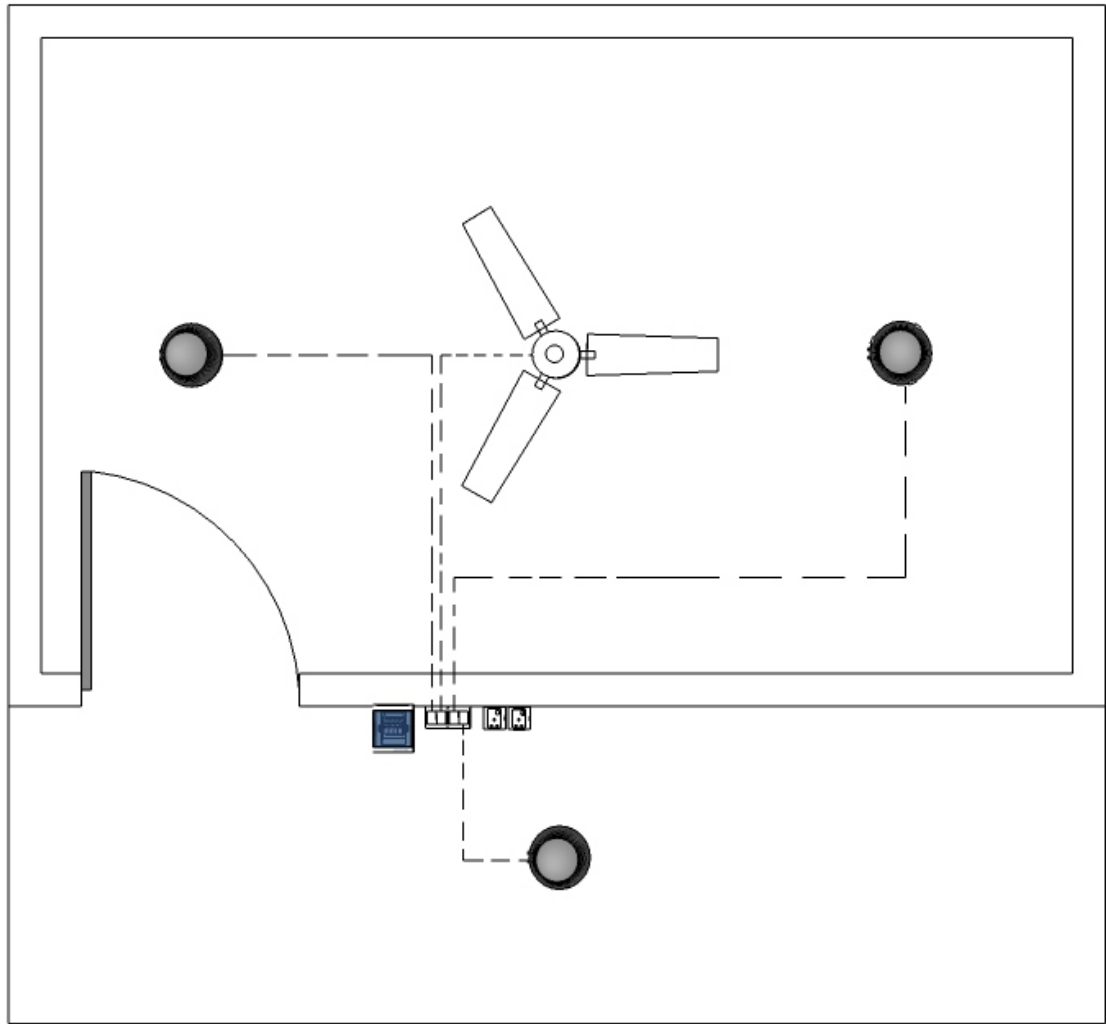
**FRONT ELEVATION**

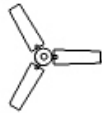




NOT TO SCALE



**BACK ELEVATION**

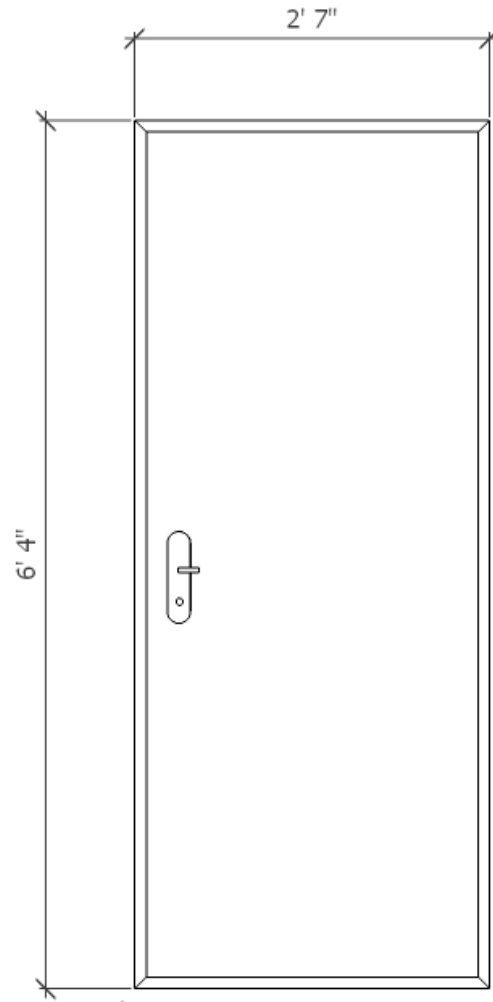
NOT TO SCALE



-  1200mm Ceiling fan
-  23W bulb
-  Flush Mounting MCB Box
-  1 Way Light & Fan Switch
-  1 Gang Socket Switch Outlet

**ELECTRICAL PLAN**

NOT TO SCALE



**DOOR**

NOT TO SCALE