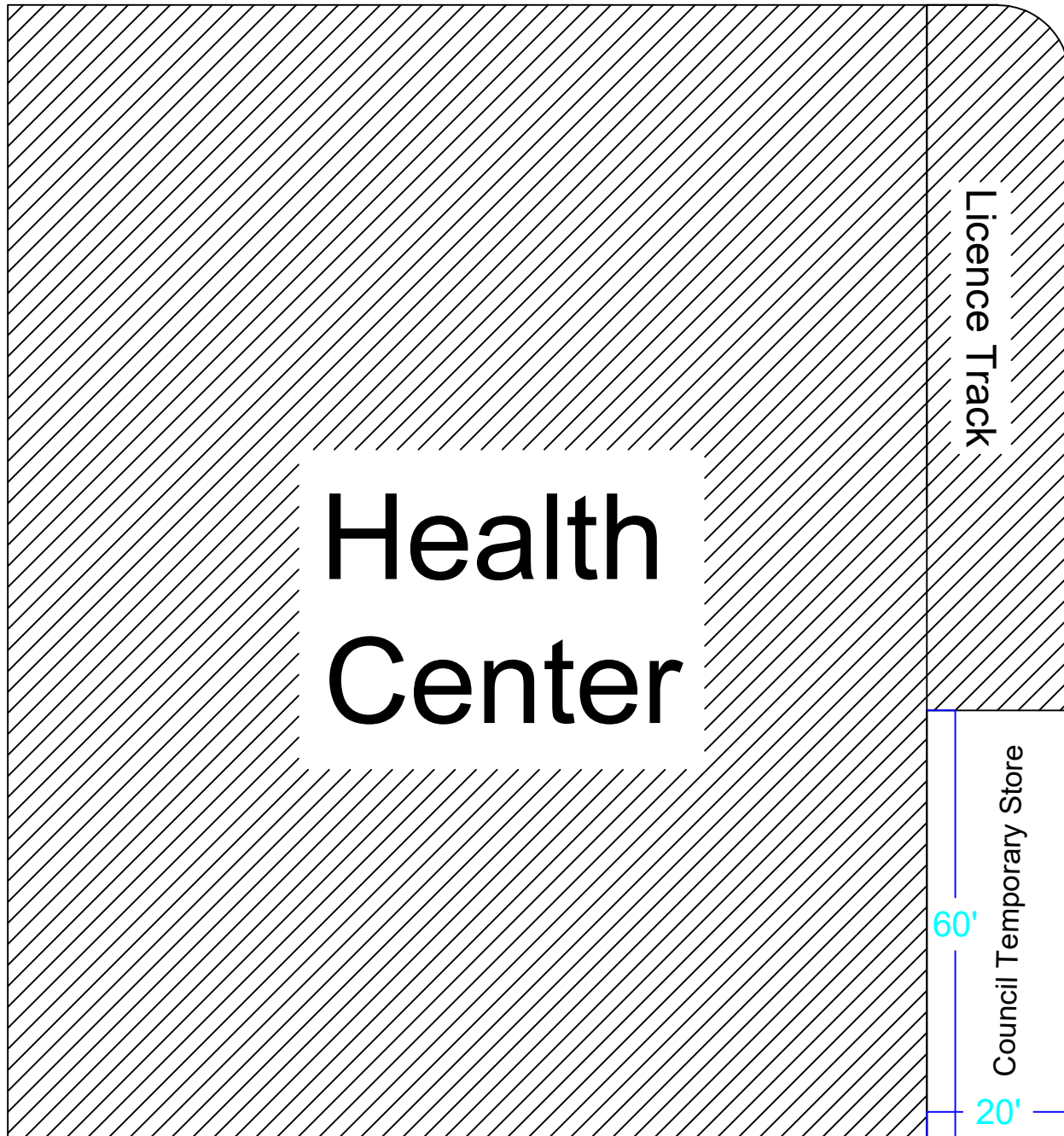
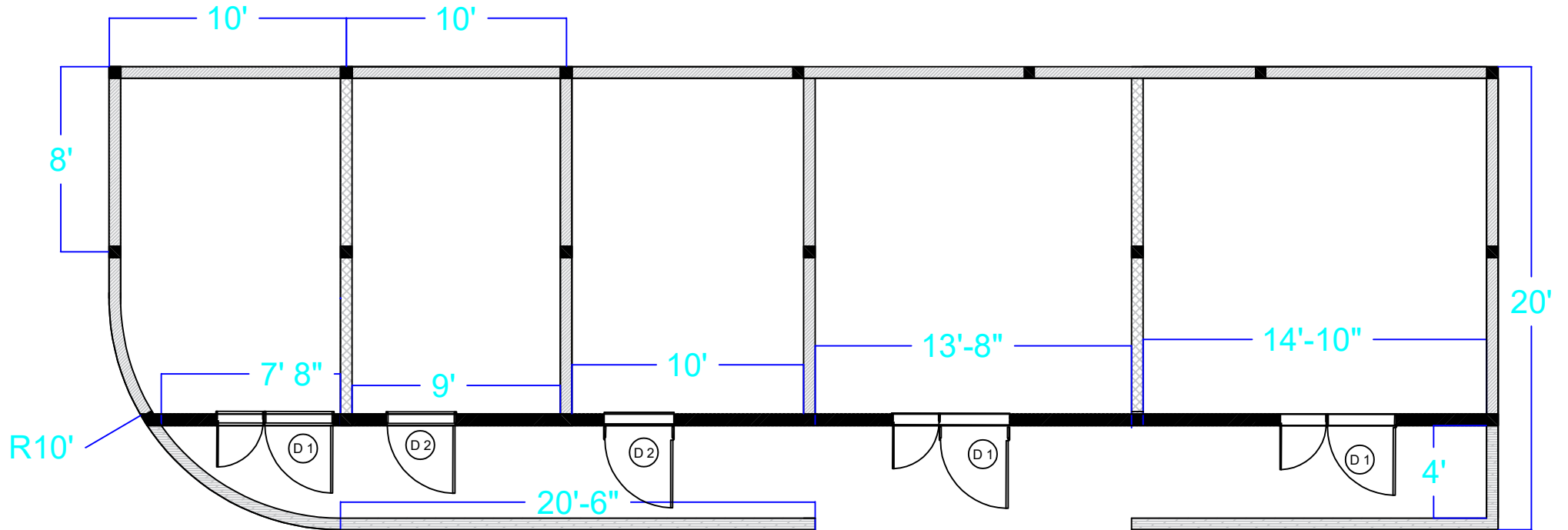


# Kendhoo Council Temporary Store Room

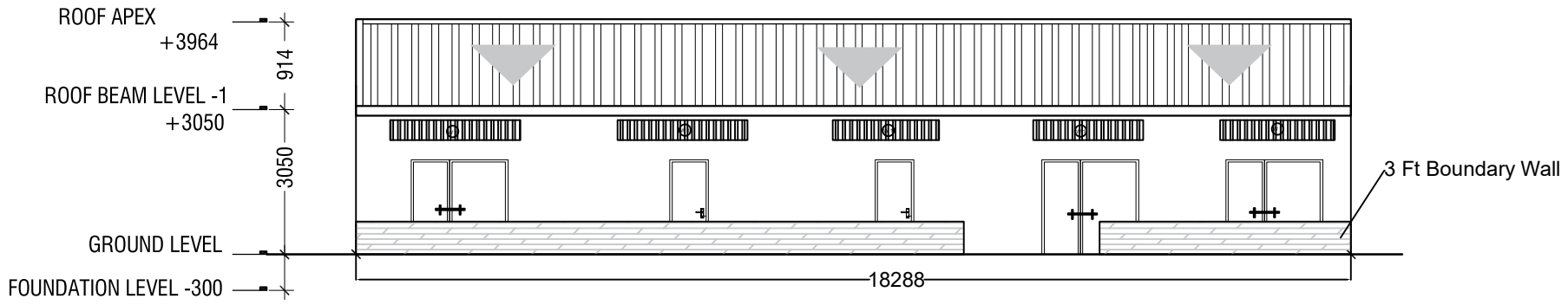


# Kendhoo Council Temporary Store Room

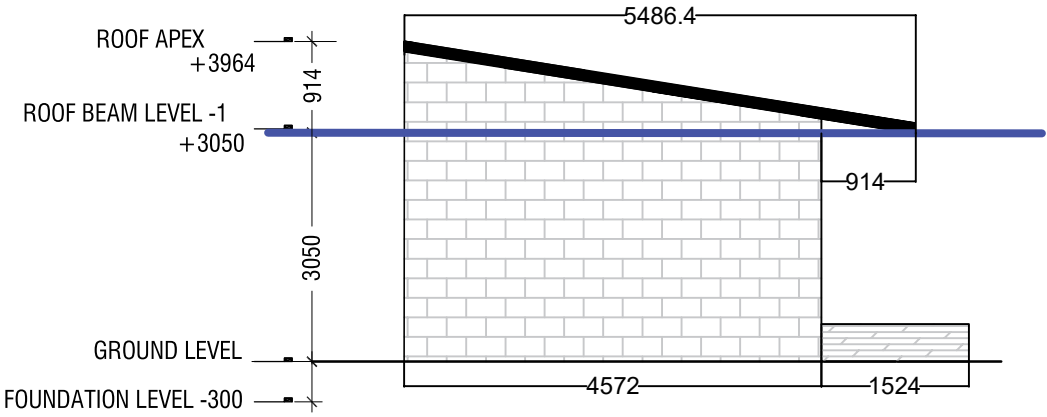


- 3 Ft Boundary Wall
- 5 Ft Masonry Wall
- 13 Ft Masonry Wall
- 10 Ft Masonry Wall
- 6' x 6" Column

# Kendhoo Council Temporary Store Room

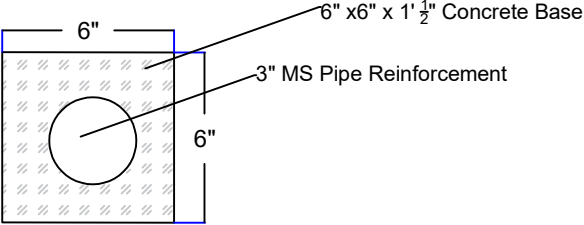
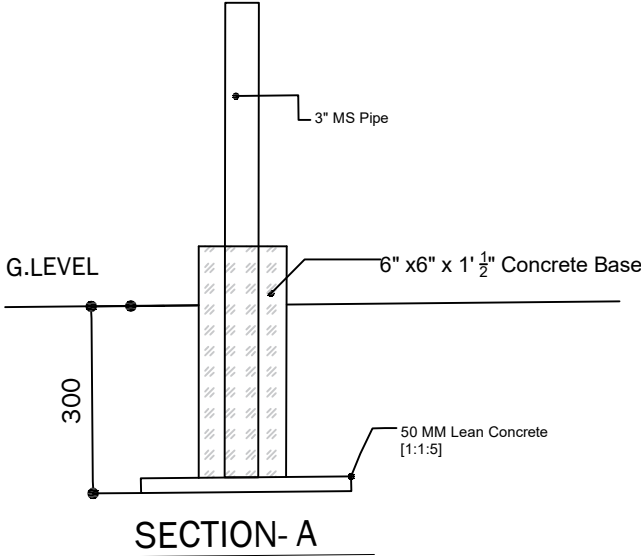
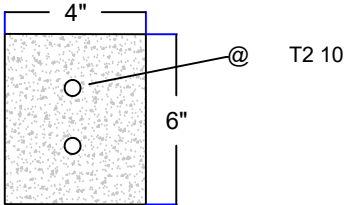
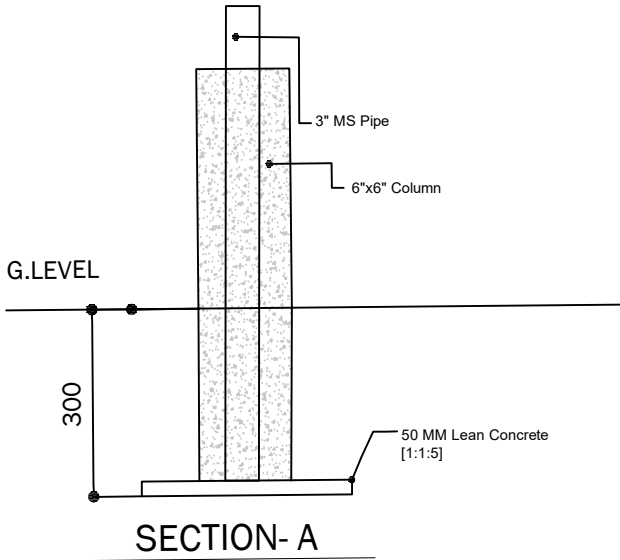
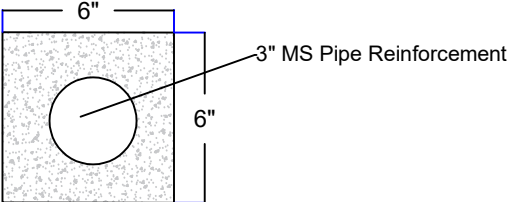


**ELEVATION - E1**

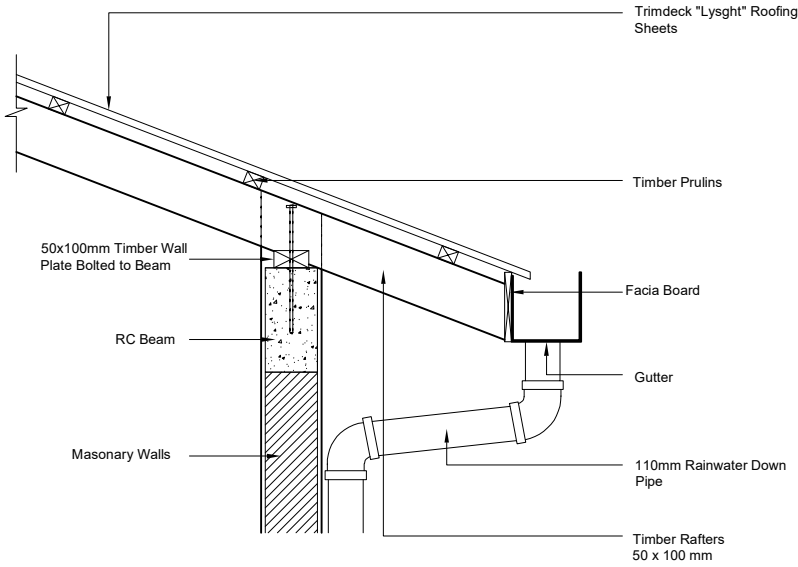
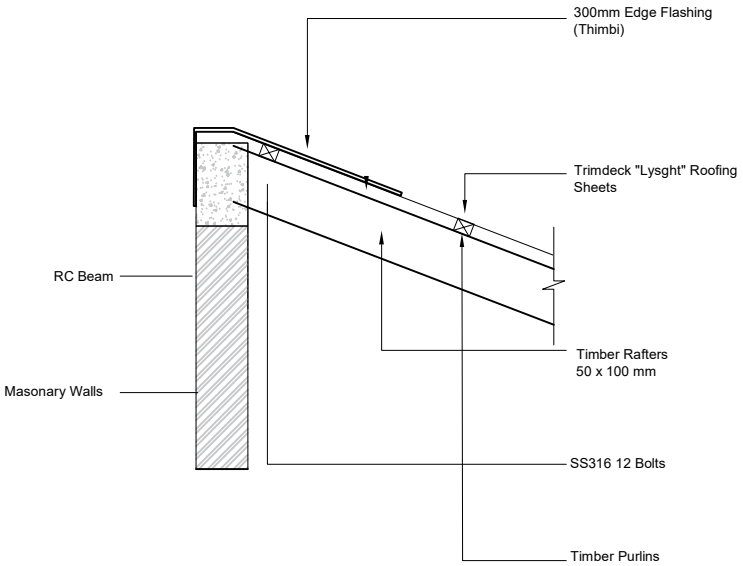


**ELEVATION - E2**

# Kendhoo Council Temporary Store Room

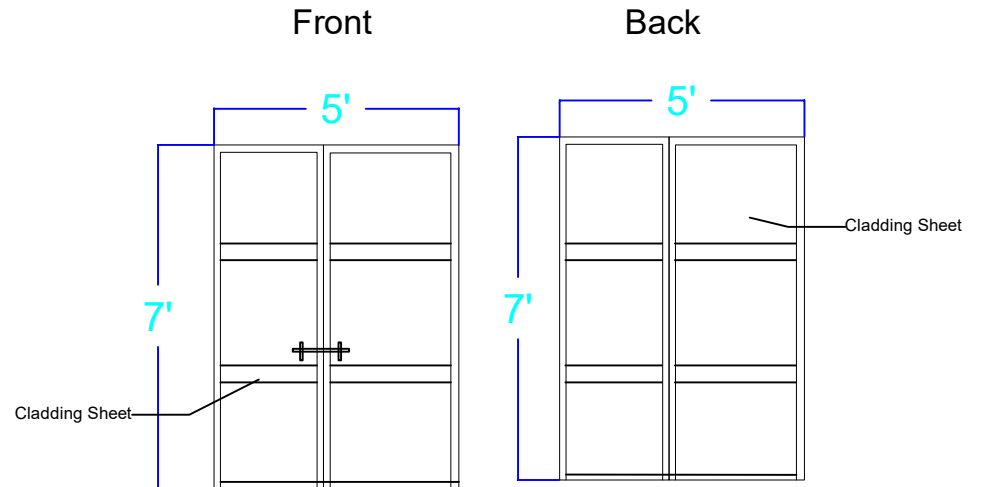
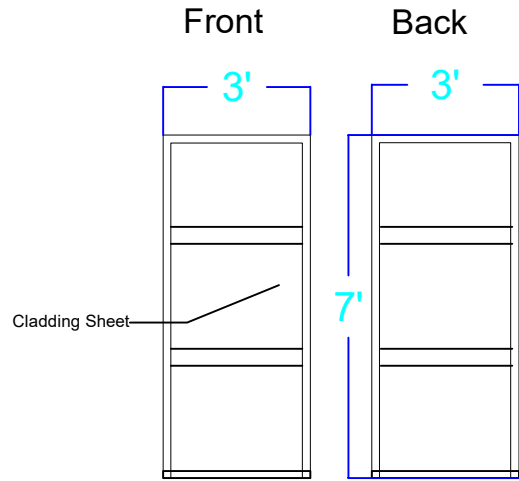


# Kendhoo Council Temporary Store Room



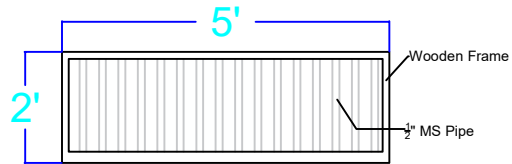
# Kendhoo Council Temporary Store Room

## Doors & Windows



<b>D2</b>	<b>Aluminum Door</b>
LOCATION	Store Room 2 & 3
DESCRIPTION	Frame: Aluminum Framed Door Panel: Cladding Sheet (green) Hinges: 6" Metal hinges
QUANTITY	2

<b>D1</b>	<b>Aluminum Door</b>
LOCATION	Store Room 1, 4, & 5
DESCRIPTION	Frame: Aluminum Framed Door Panel: Cladding Sheet (green) Hinges: 8" Metal hinges Finishing: Primer Coat & Metal paint
QUANTITY	3



<b>W1</b>	<b>Vent</b>
LOCATION	Store Room 1,2,3,4,5
DESCRIPTION	Frame: 2" hard Wood Panel: 1/2" MS Pipe (2 inch gap) Finishing: Primer Coat & Metal paint Wired Net (NARUDHA) Shall be installed inside
QUANTITY	5