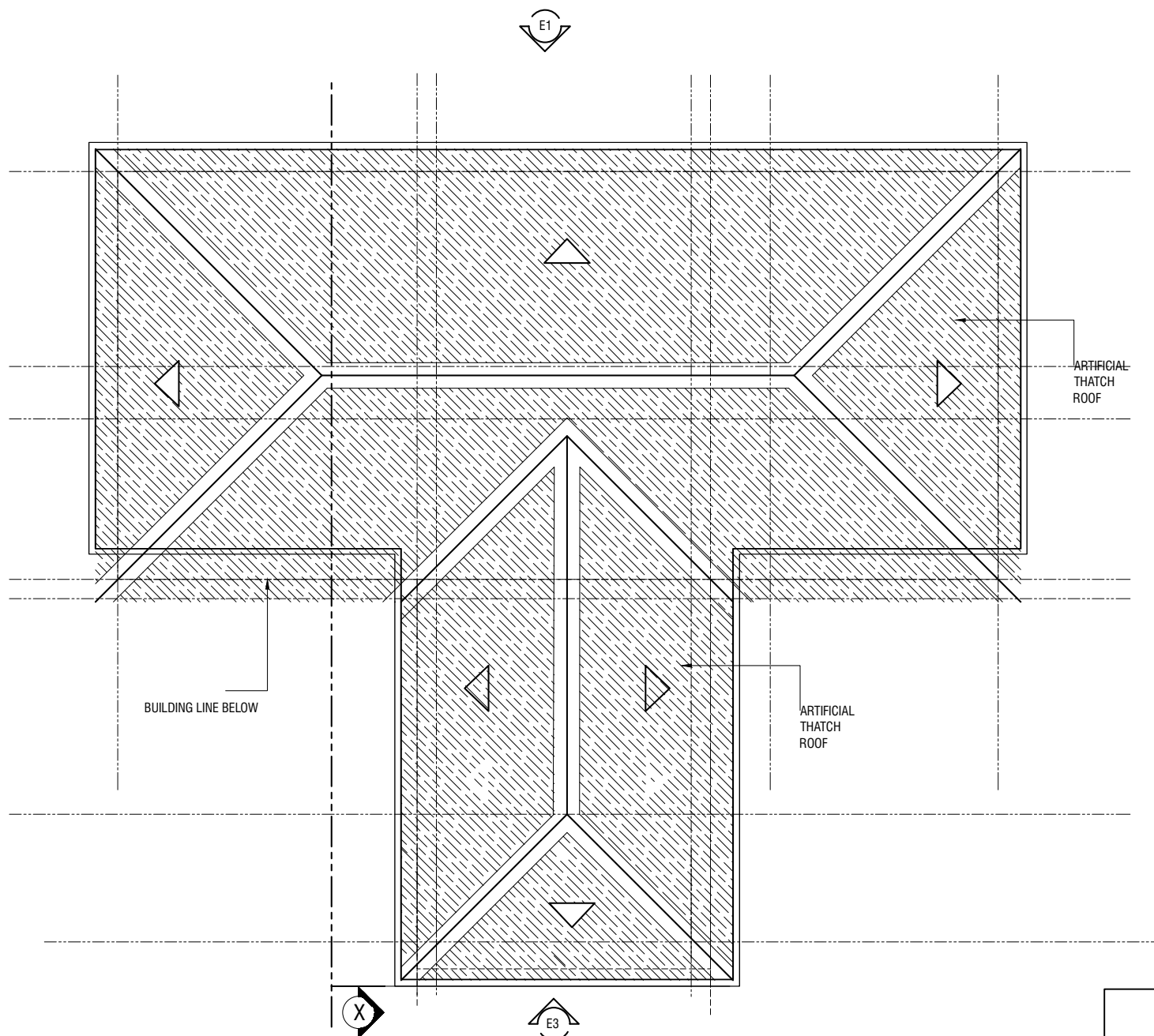


A1

GROUND FLOOR PLAN



ARTIFICIAL  
THATCH  
ROOF

BUILDING LINE BELOW

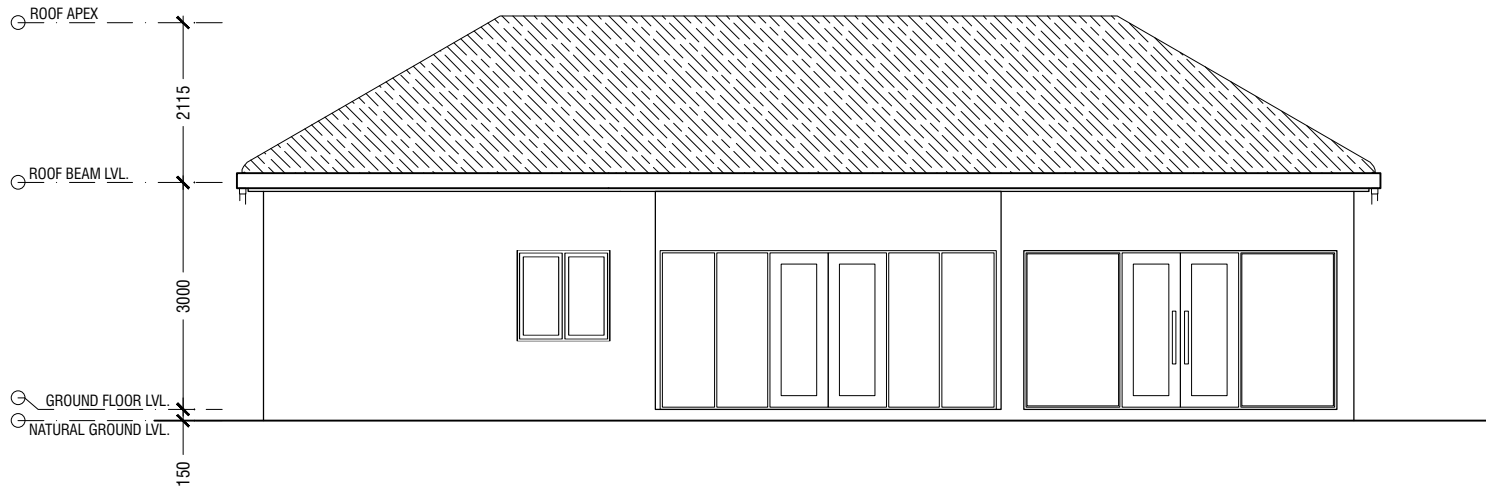
ARTIFICIAL  
THATCH  
ROOF

A2

ROOF PLAN

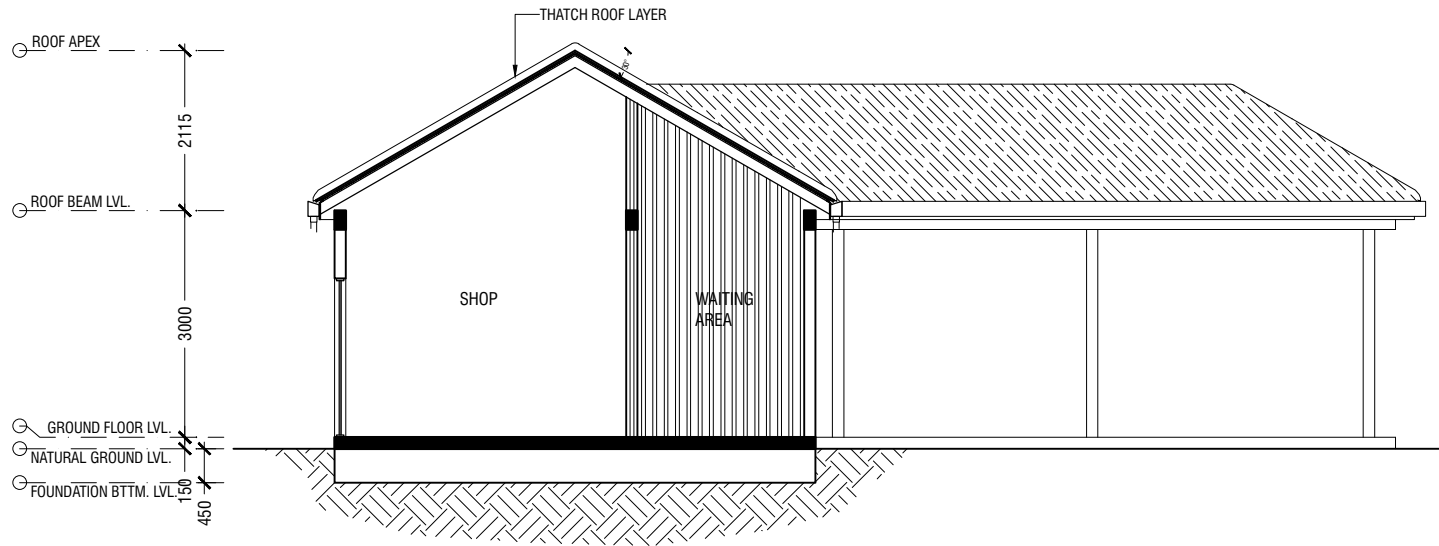
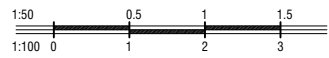
SCALE = 1:100





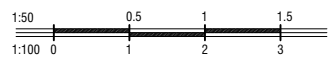
ELEVATION E1

SCALE = 1:100

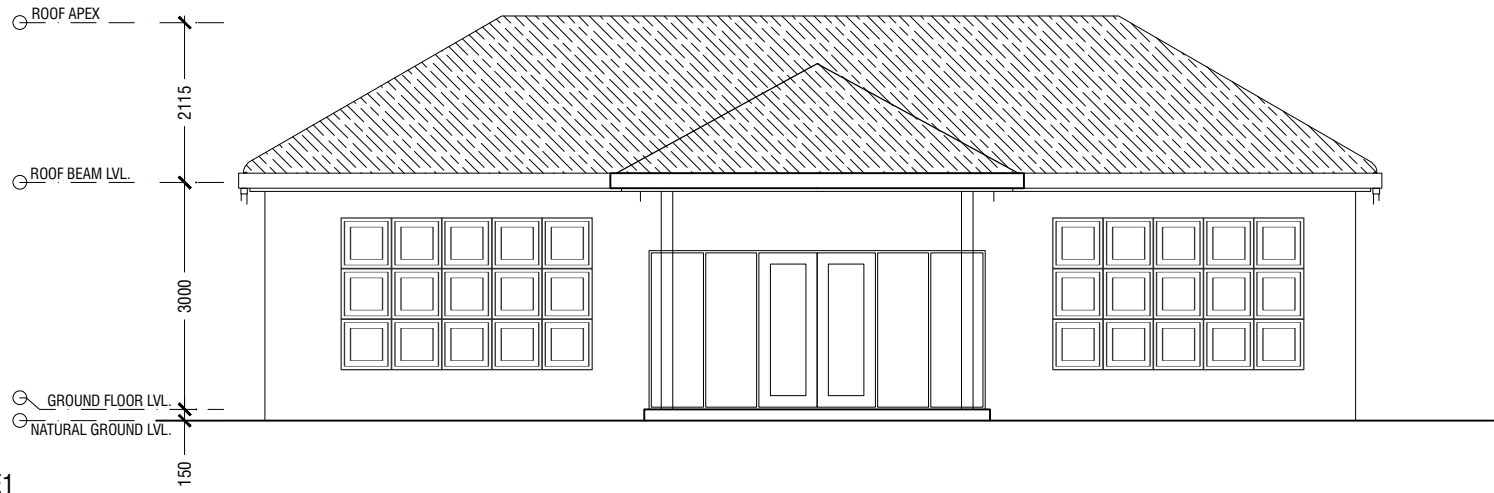


SECTION -X

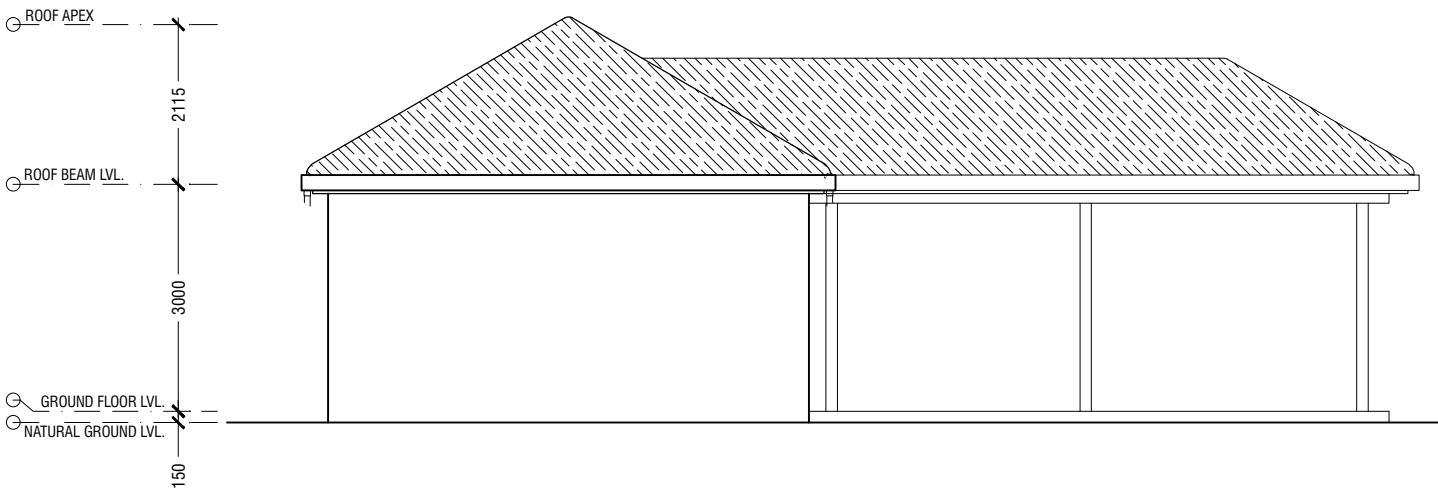
SCALE = 1:100



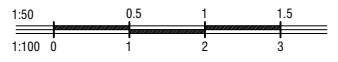
A3



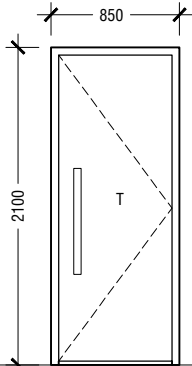
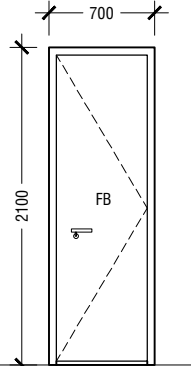
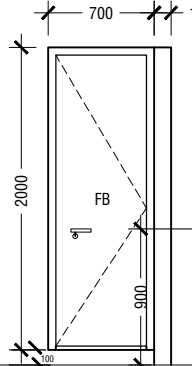
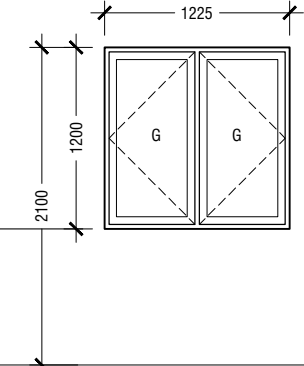
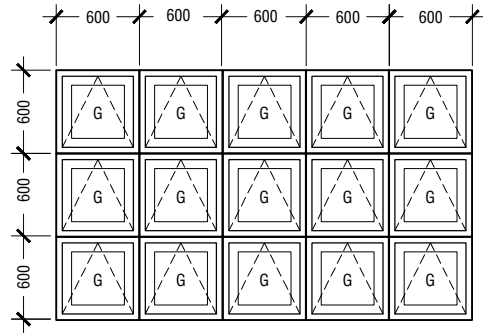
**ELEVATION E1**  
SCALE = 1:100

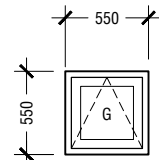


**ELEVATION E2**  
SCALE = 1:100



A4

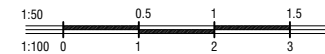
DOOR LABEL	D3	D4	D5	W1	W2
FFL					
DESCRIPTION	DOOR FRAME=T+PANEL=T IRONMONGERY = S.S	DOOR,(TOILET/REFUSE) FRAME=FB+PANEL=FB IRONMONGERY = S.S	DOOR,(TOILET/REFUSE) FRAME=FB+PANEL=FB IRONMONGERY = S.S	WINDOW FRAME=A+PANEL=G IRONMONGERY = S.S	WINDOW FRAME=A+PANEL=G IRONMONGERY = S.S
VENTILATED AREA(M <sup>2</sup> )					

DOOR LABEL	V1
FFL	
DESCRIPTION	VENT FRAME=A+PANEL=G IRONMONGERY = S.S
VENTILATED AREA(M <sup>2</sup> )	

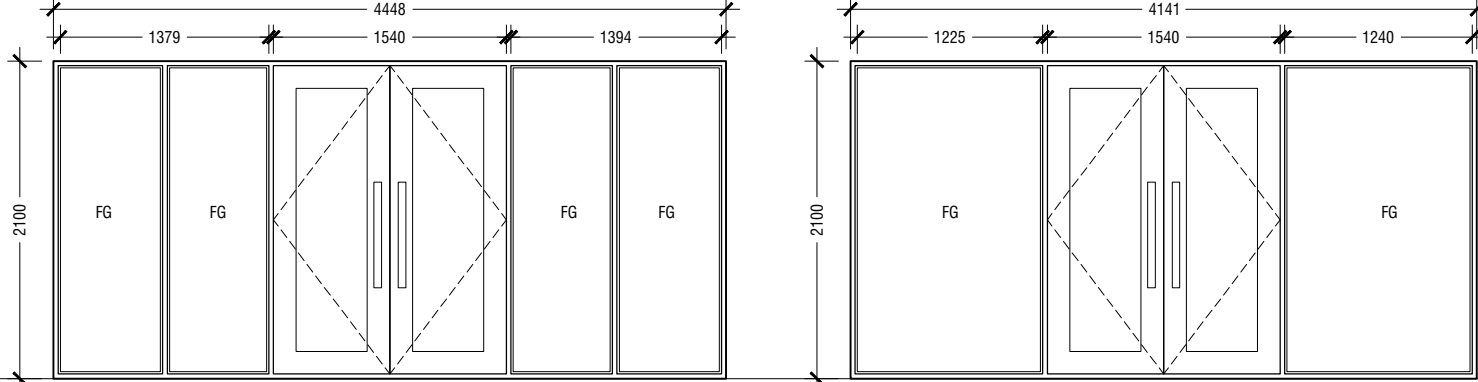
NOTE:  
T-TIMBER  
G-GLASS  
TG-TEMPERED GLASS  
TL-TIMBER LOUVERED  
GL-GLASS LOUVERED  
AL-ALUMINIUM LOUVERED  
A-ALLUMINIUM  
PVC-PLASTIC  
S.S- STAINLESS STEEL  
FB-FIBER BOARD  
FG-FROST GLASS

DOOR WINDOW SCHEDULE 1

SCALE = 1:50



A5

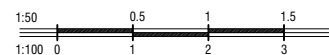
DOOR LABEL	D1	D2
FFL		
DESCRIPTION	DOOR, FRAME = A + PANEL = T + G IRONMONGERY = S.S	DOOR, FRAME = A + PANEL = T + G IRONMONGERY = S.S
VENTILATED AREA (M <sup>2</sup> )		

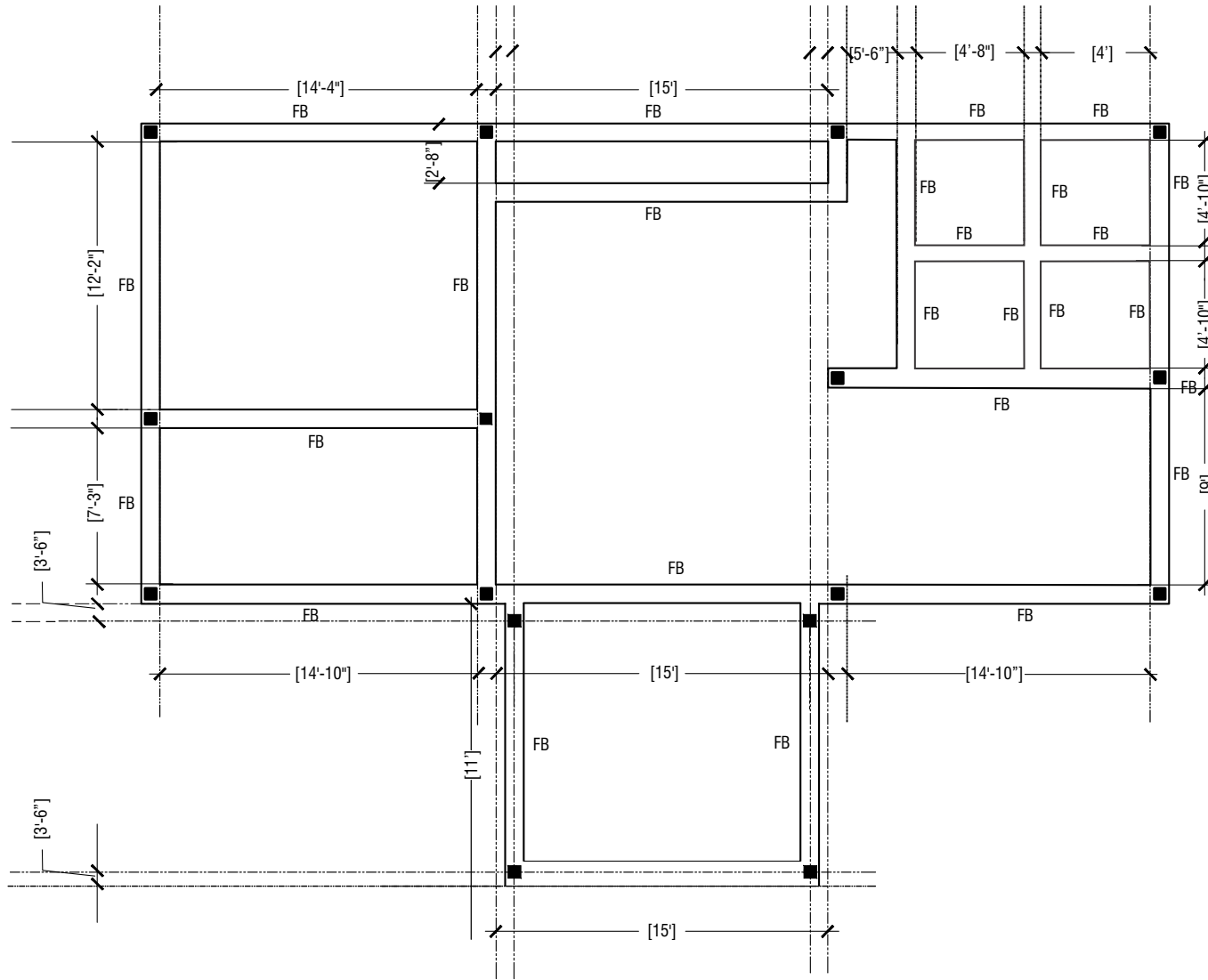
NOTE;  
 T-TIMBER  
 G-GLASS  
 TG-TEMPERED GLASS  
 TL-TIMBER LOUVERED  
 GL-GLASS LOUVERED  
 AL-ALUMINIUM LOUVERED  
 A-ALLUMINIUM  
 PVC-PLASTIC  
 S.S- STAINLESS STEEL  
 FB-FIBER BOARD  
 F.G-FROST GLASS

A6

**DOOR WINDOW SCHEDULE 2**

SCALE = 1:50

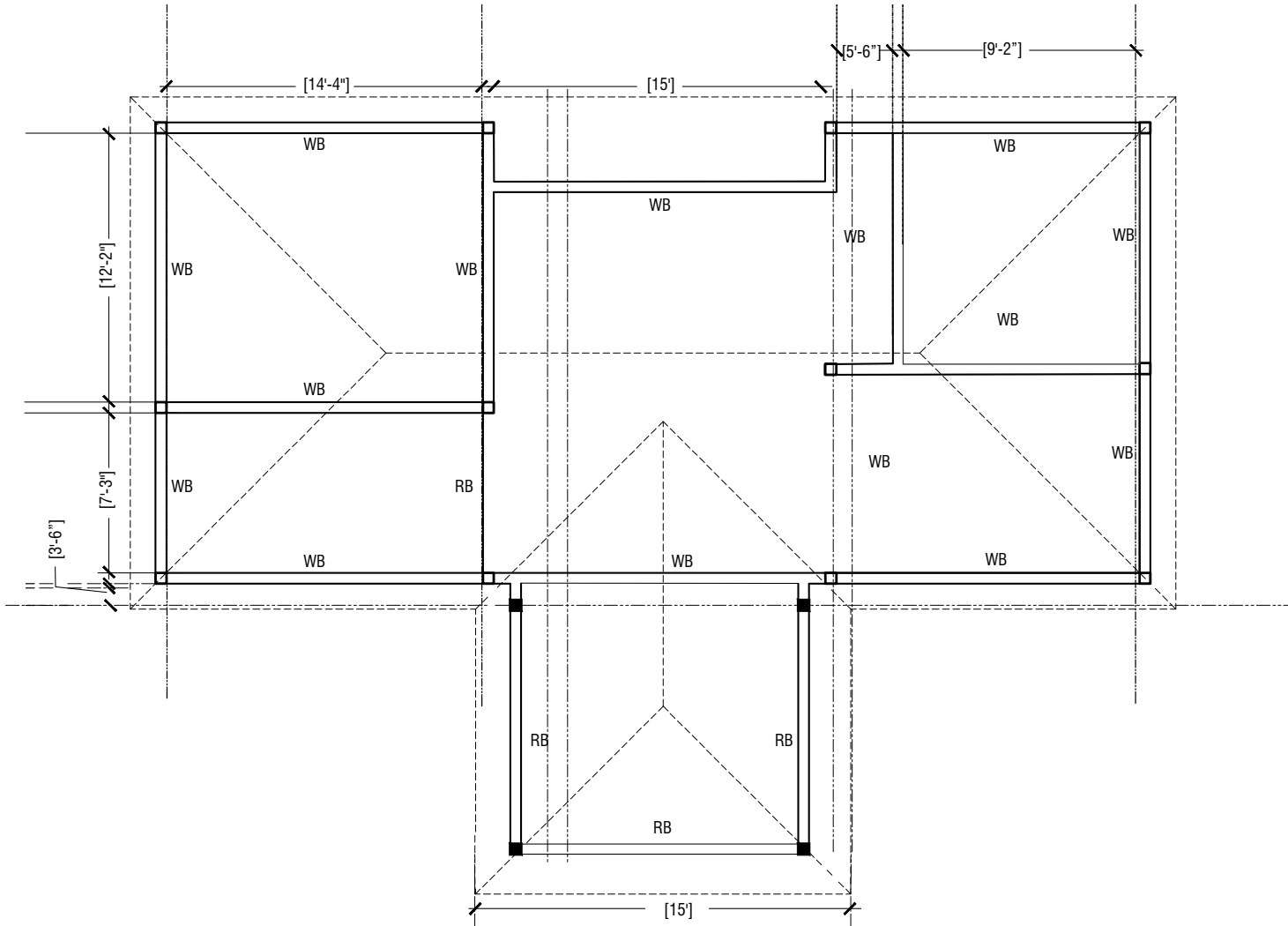




LEGEND:  
 □ COLUMN C1

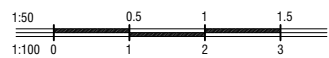
S1

COLUMN LOCATION PLAN/ FOUNDATION PLAN



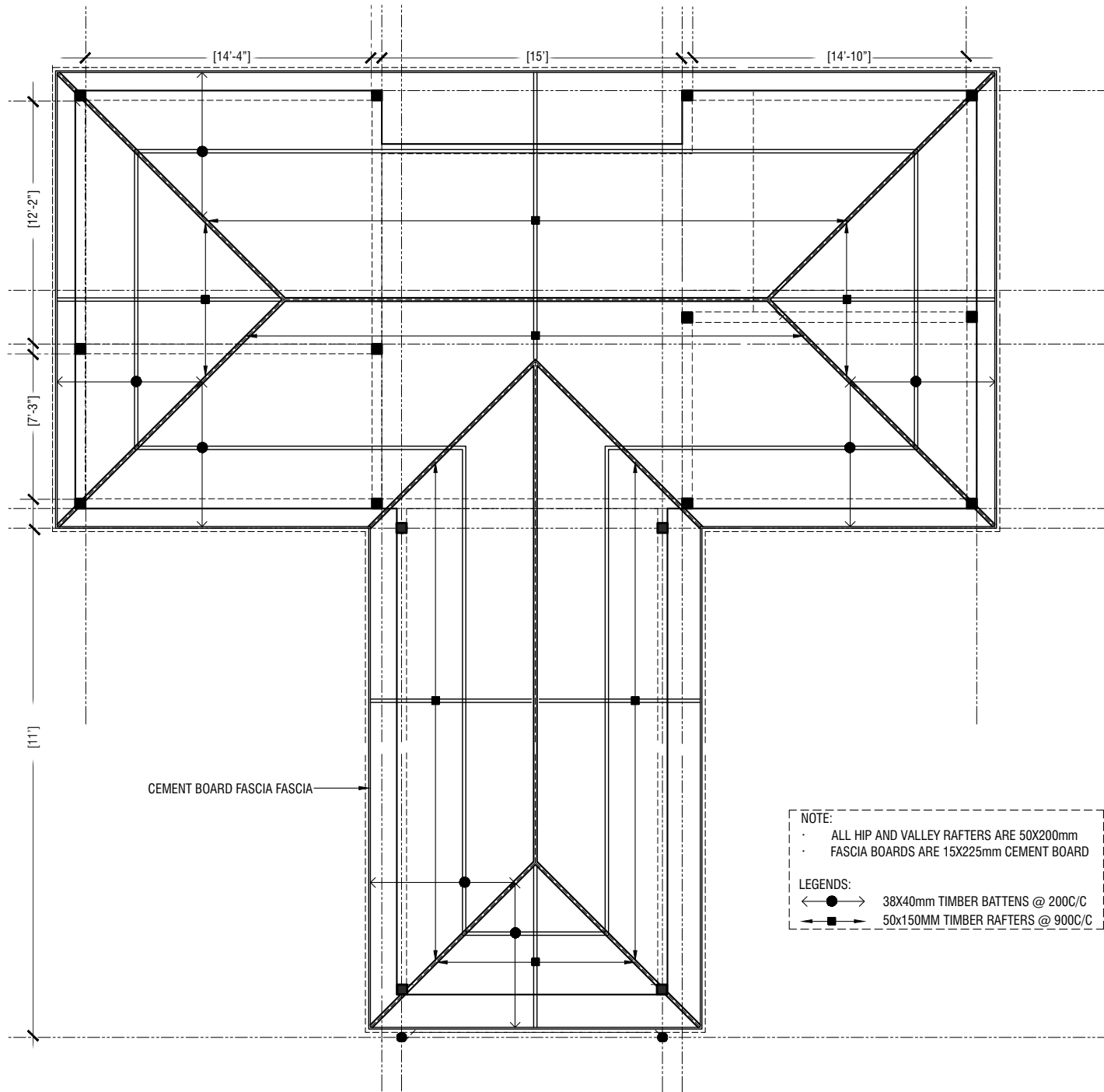
ROOF BEAM PLAN

SCALE = 1:100



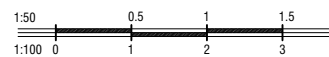
S2





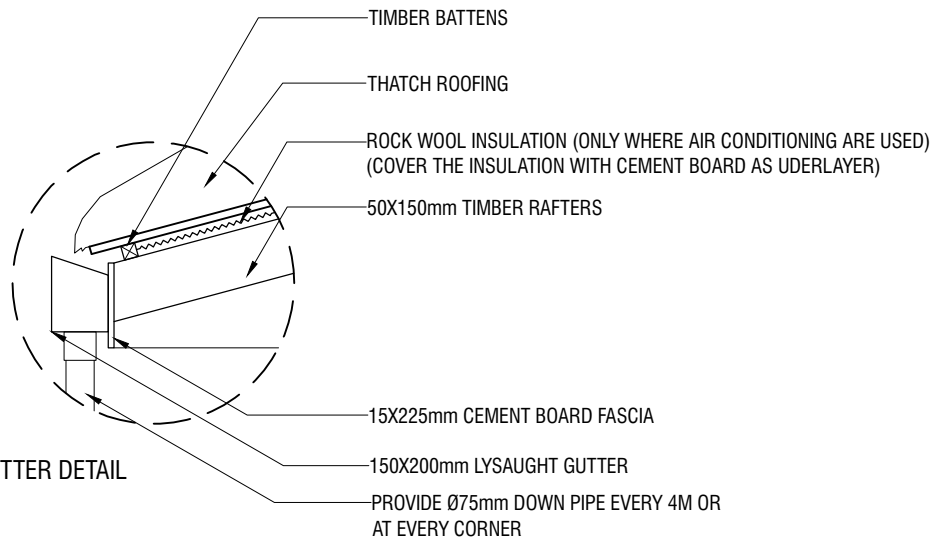
ROOF FRAMING PLAN

SCALE = 1:100



S3

C1	<p>200 200 4T12 R6@150 C/C</p>
FB	<p>250 200 4T12 R6@150 C/C</p> <p>FB FOUNDATION BEAM</p>
WB	<p>100 200 2T12 R6 HOOK@150 C/C</p> <p>(CAST ON TOP OF WALLS ONLY)</p>
RB	<p>200 200 2T12 R6 HOOK@100 C/C 2T12</p>

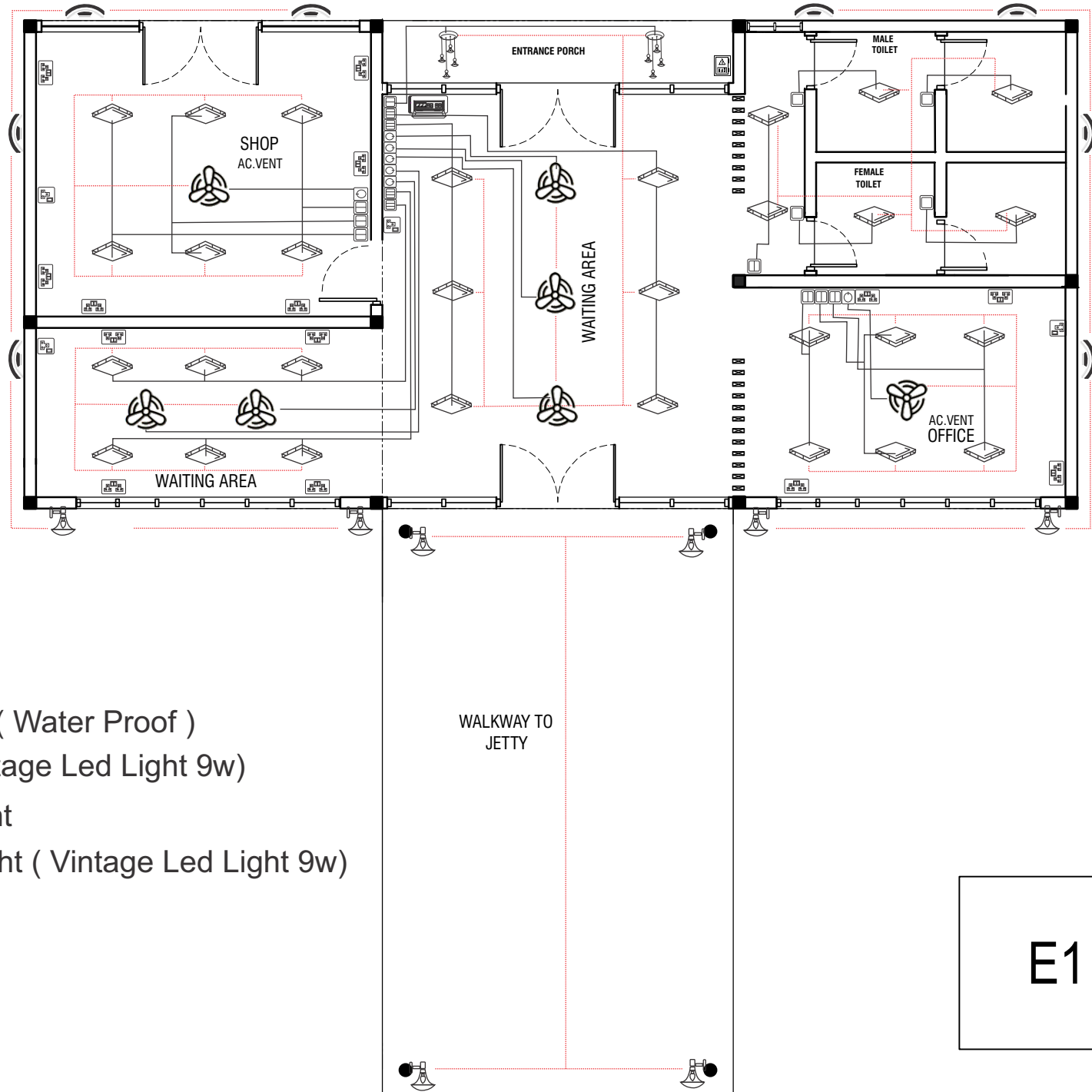


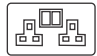













NOTE:  
HEAT INSULATION &  
UNDERLYING WATER PROOFING LAYER REQUIREMENT DEPENDS ON THE SUPPLIERS SPECIFICATION

S4



# ELECTRIC PLAN



-  Double socket
-  15amp single socket
-  Switch Single
-  Switch 2 gang
-  Switch 3 gang
-  Fan Dimmer
-  Wall Mount 18w Light ( Water Proof )
-  Wall Mount Light ( Vintage Led Light 9w)
-  Ceiling Mount 18wLight
-  Ceiling Mount Lamp Light ( Vintage Led Light 9w)
-  Ceiling Fan 48"
-  Meter Box
-  Distribution Box
-  Circuit Braker Timer

E1