



PROJECT:

MALDIVES HAJJ CORPORATION LIMITED



مؤسسة الحج الملهية المحدودة
MALDIVES HAJJ CORPORATION LIMITED
مؤسسة الحج الملهية المحدودة



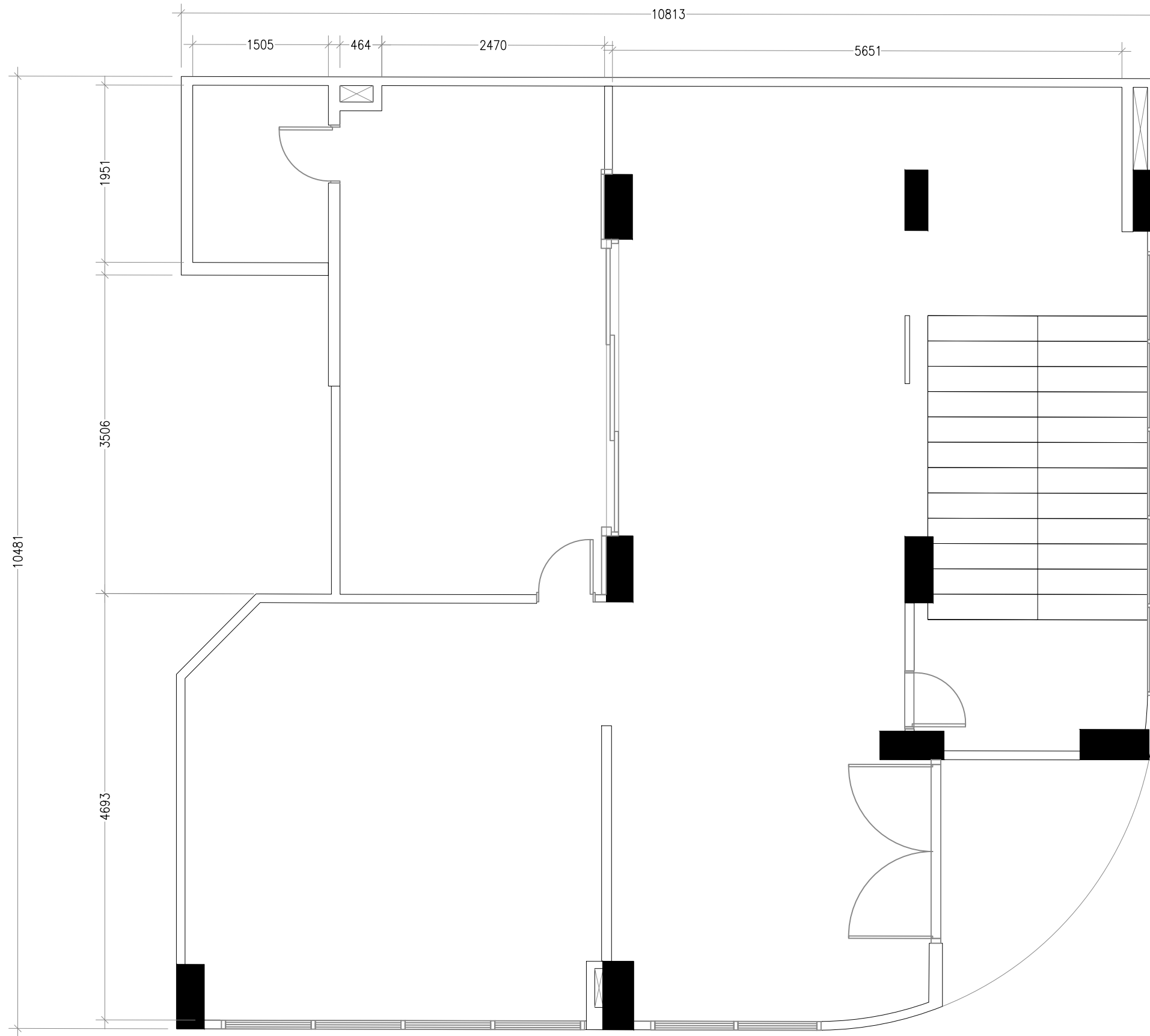


މާލިދީބު ހާލް ކޯޕަރޭޝަން ލިމިޓެޑް
MALDIVES HALL CORPORATION LIMITED





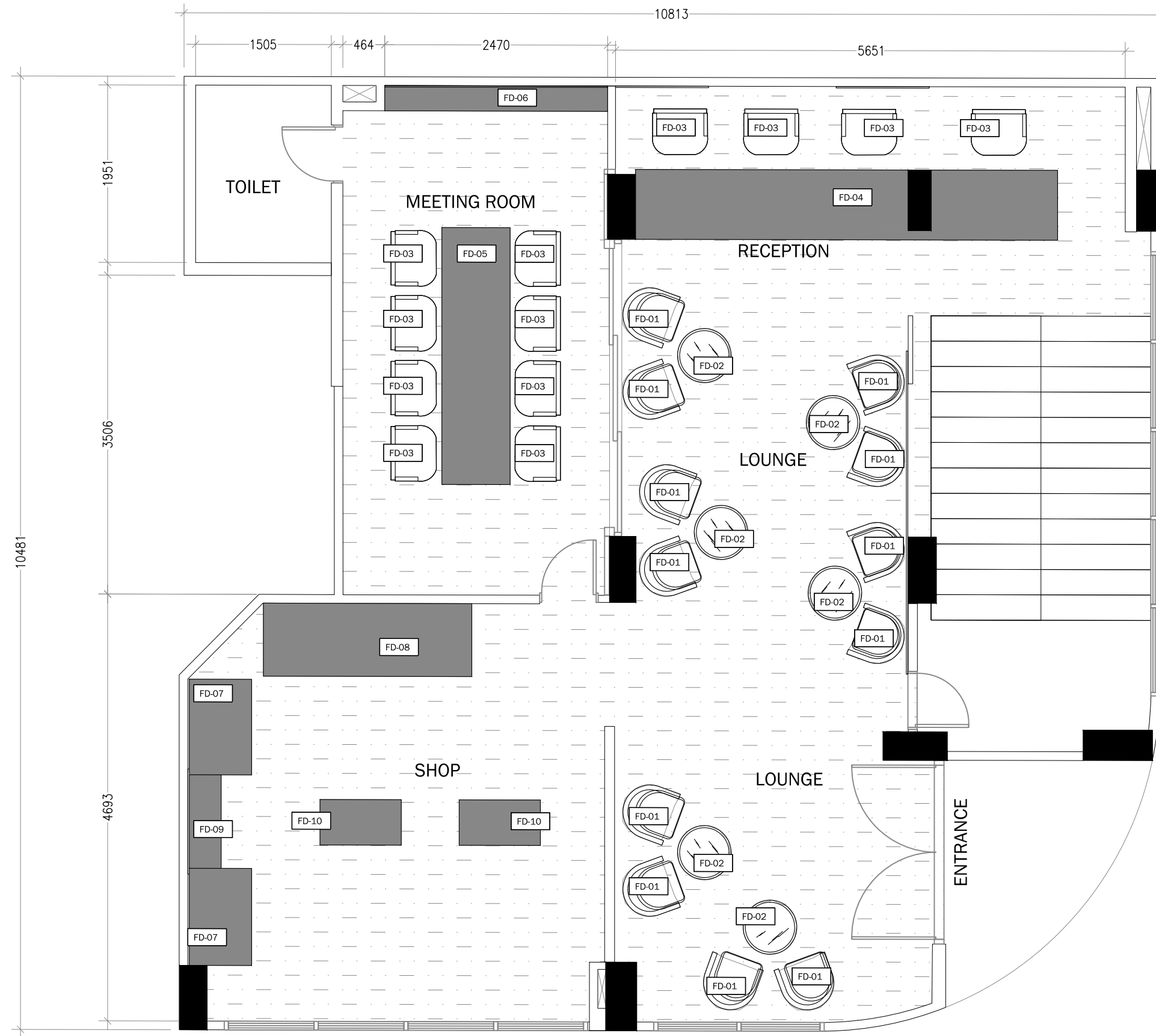




EXISTING FLOOR PLAN
SCALE 1:50



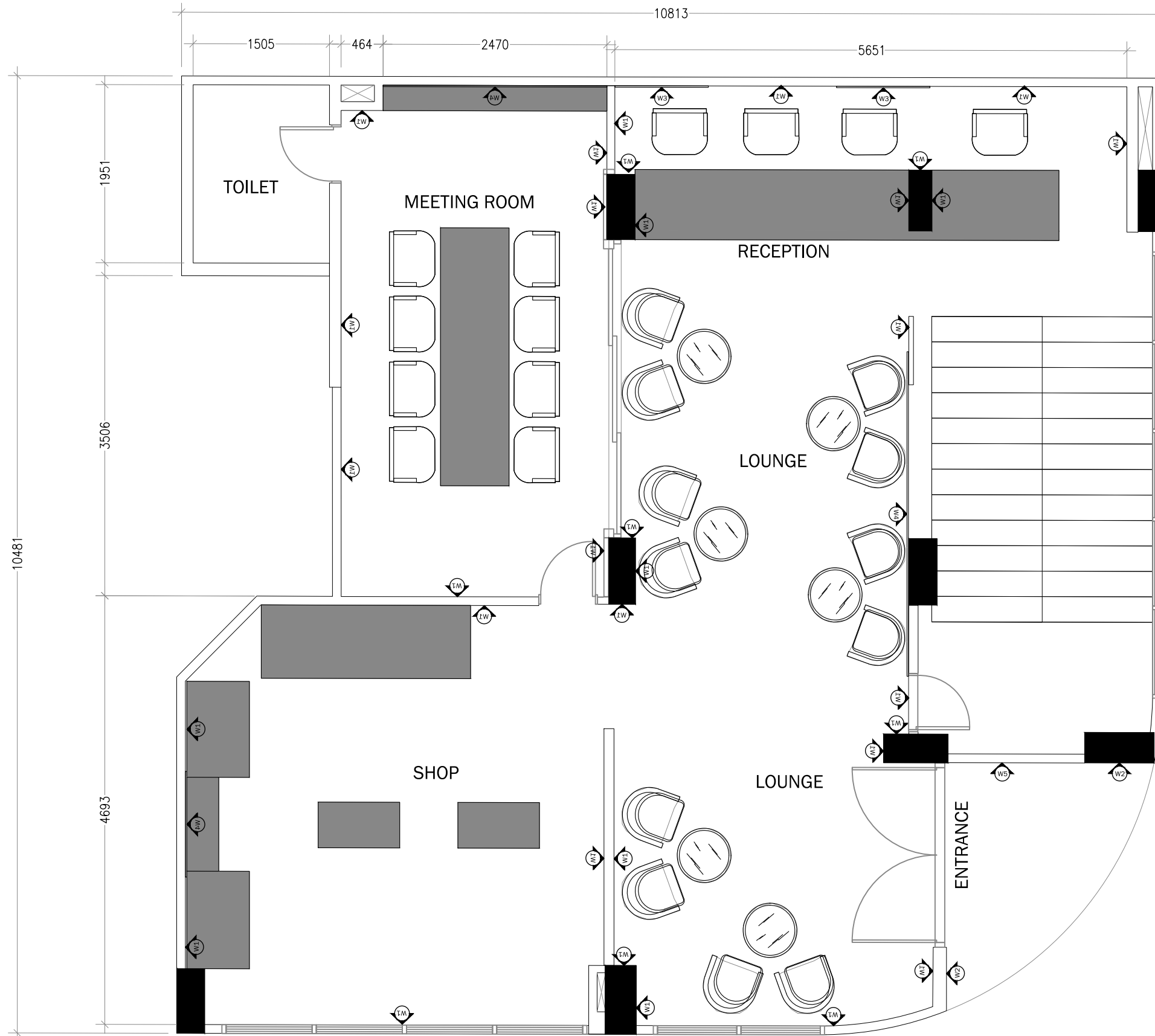
FLOOR PLAN
SCALE 1:50



LEGEND

CODE	DESCRIPTION	QTY
FD-01	LOUNGE CHAIRS	12
FD-02	LOUNGE TABLES	06
FD-03	OFFICE CHAIR	12
FD-04	RECEPTION COUNTER	01
FD-05	MEETING ROOM TABLE	01
FD-06	MEETING ROOM CABINET	01
FD-07	DISPLAY CABINET	02
FD-08	DISPLAY CABINET	01
FD-09	OPEN DISPLAY SHELVES	01
FD-10	FREE STANDING LOW DISPLAY	02

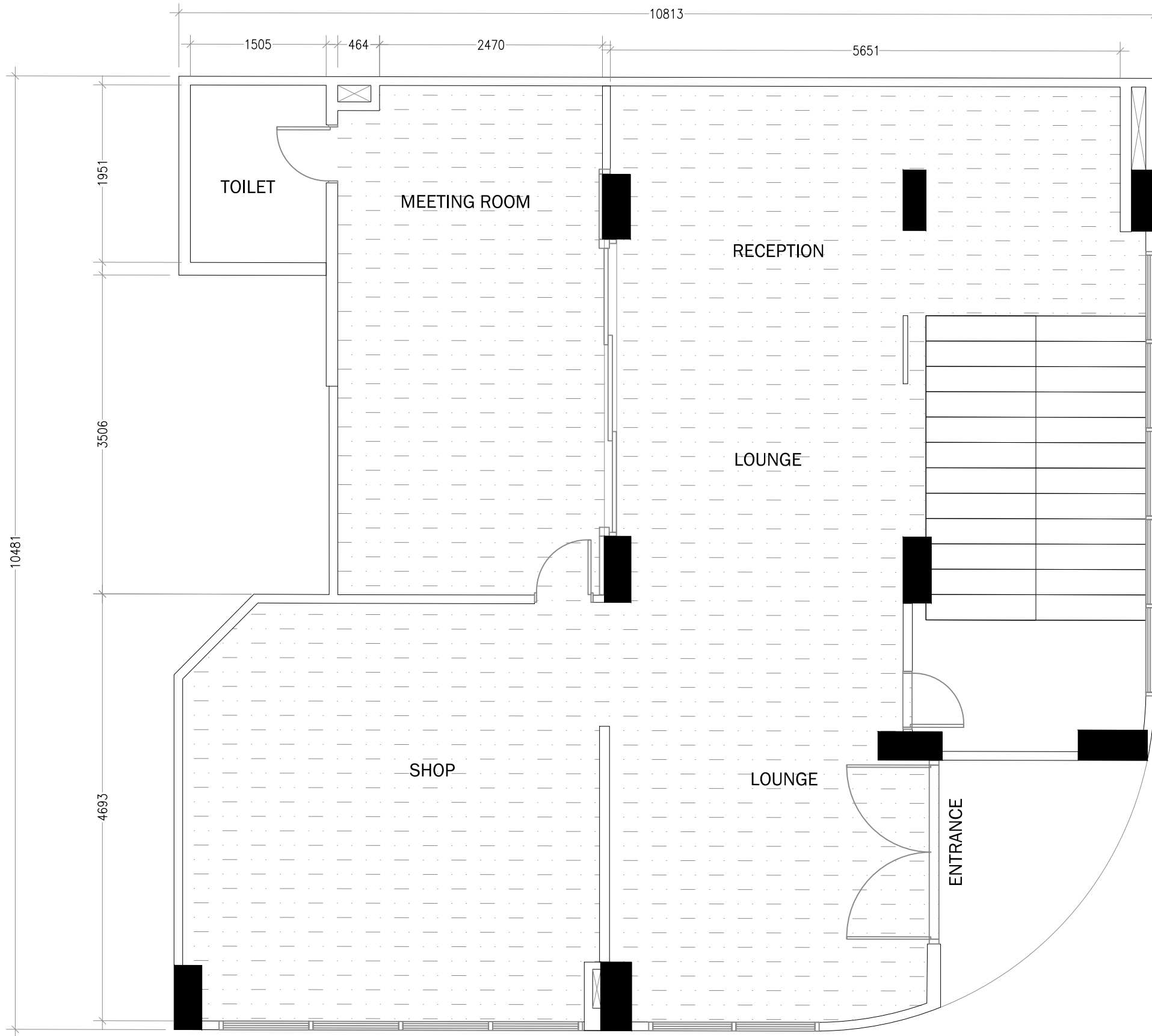
FURNITURE LAYOUT
SCALE 1:50





LEGEND

SYMBOL	IMAGE	DESCRIPTION
W1		WALL PAINT- COLOR SAGE CODE- 0004C SH S 2010-G20Y SOURCE- SAMHWA
W2		WALL PAINT CODE- 0001A SH S 0300-N SOURCE- SAMHWA
W3		FLUTED PANEL- WOOD FINISH SOURCE- DREAMTERIORS
W4		JAALI PATTERN GRILL GOLD COLOR PAINT FINISH
W5		JAALI PATTERN GRILL WHITE COLOR PAINT FINISH

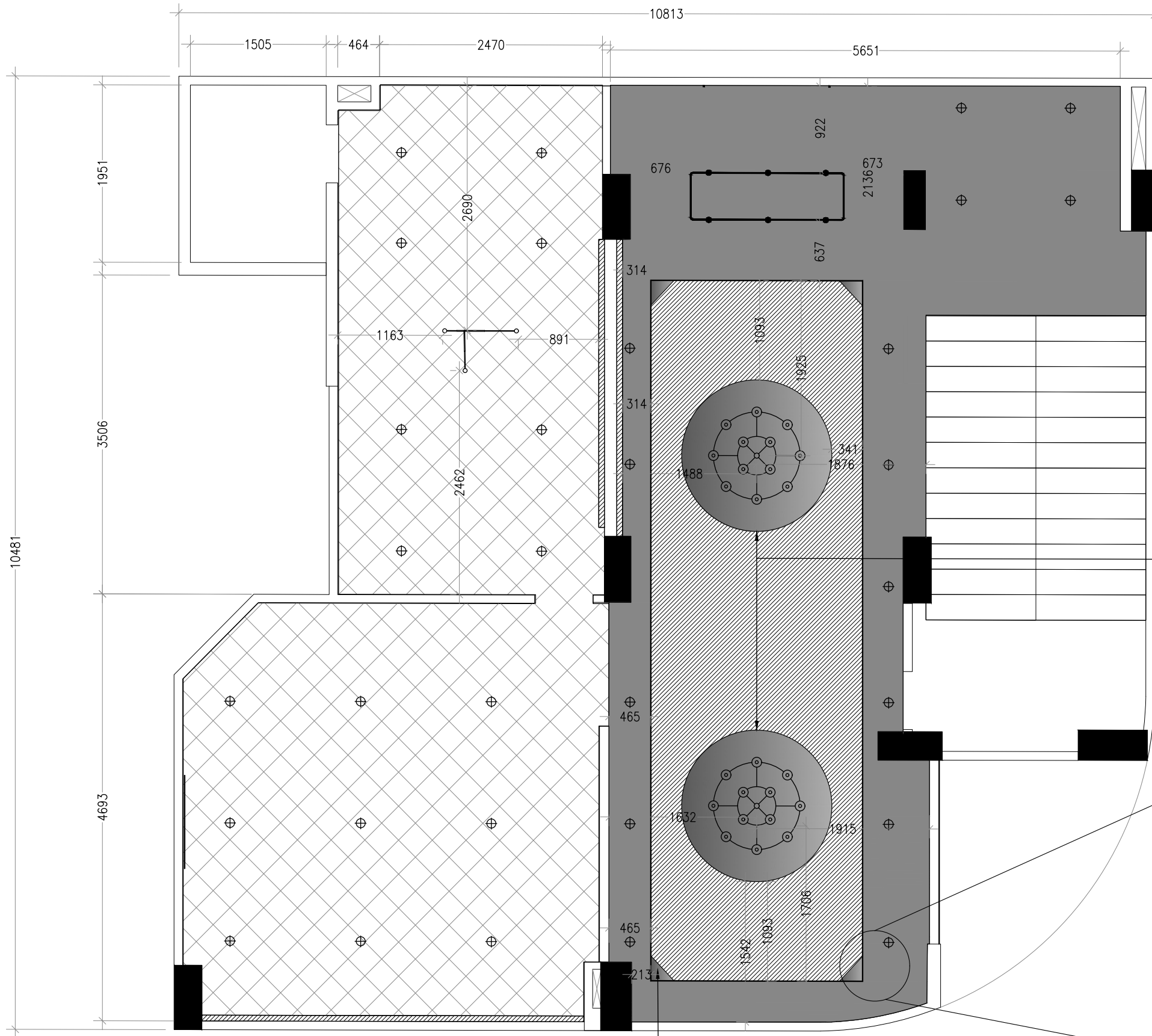
WALL FINISH
SCALE 1:50



LEGEND

HATCH	IMAGE	DESCRIPTION	AREA (SQFT)
		CARPET FLOORING EXPANSION POINT 911	840 SQFT
		SOURCE- ESSENTIA	

FLOOR FINISH
SCALE 1:50



LIGHT LEGEND

SYMBOL	IMAGE	DESCRIPTION
		CRYSTAL CHANDELIER LIGHT Ø800 MM WARM WHITE LIGHT SOURCE; MODERN_WORLDMMV
		RECESSED CEILING LIGHT WARM WHITE LIGHT 5 WATT
		LINEAR PENDANT L1300MM X W800MM WARM WHITE LIGHT
		LOOP LINEAR PENDANT LIGHT L2600MM X W800MM WARM WHITE LIGHT

CEILING LEGEND

HATCH	DESCRIPTION	COLOR
	DROP CEILING @4177 MM	
	DROP CEILING @4377 MM	
	DROP CEILING @2200 MM	

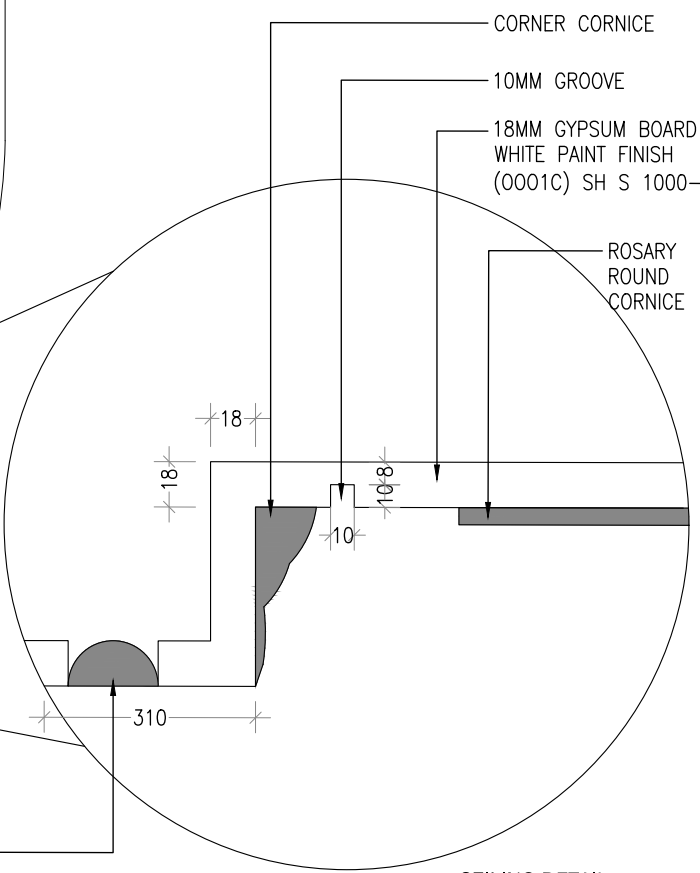
Ø1300MM
ROSARY ROUND CORNICE

CORNER CORNICE

10MM GROOVE

18MM GYPSUM BOARD
WHITE PAINT FINISH
(0001C) SH S 1000-N

ROSARY
ROUND
CORNICE



RECESSED LIGHT
5 WATT
WARM WHITE

CEILING DETAIL
NTS

REFLECTED CEILING
SCALE 1:50

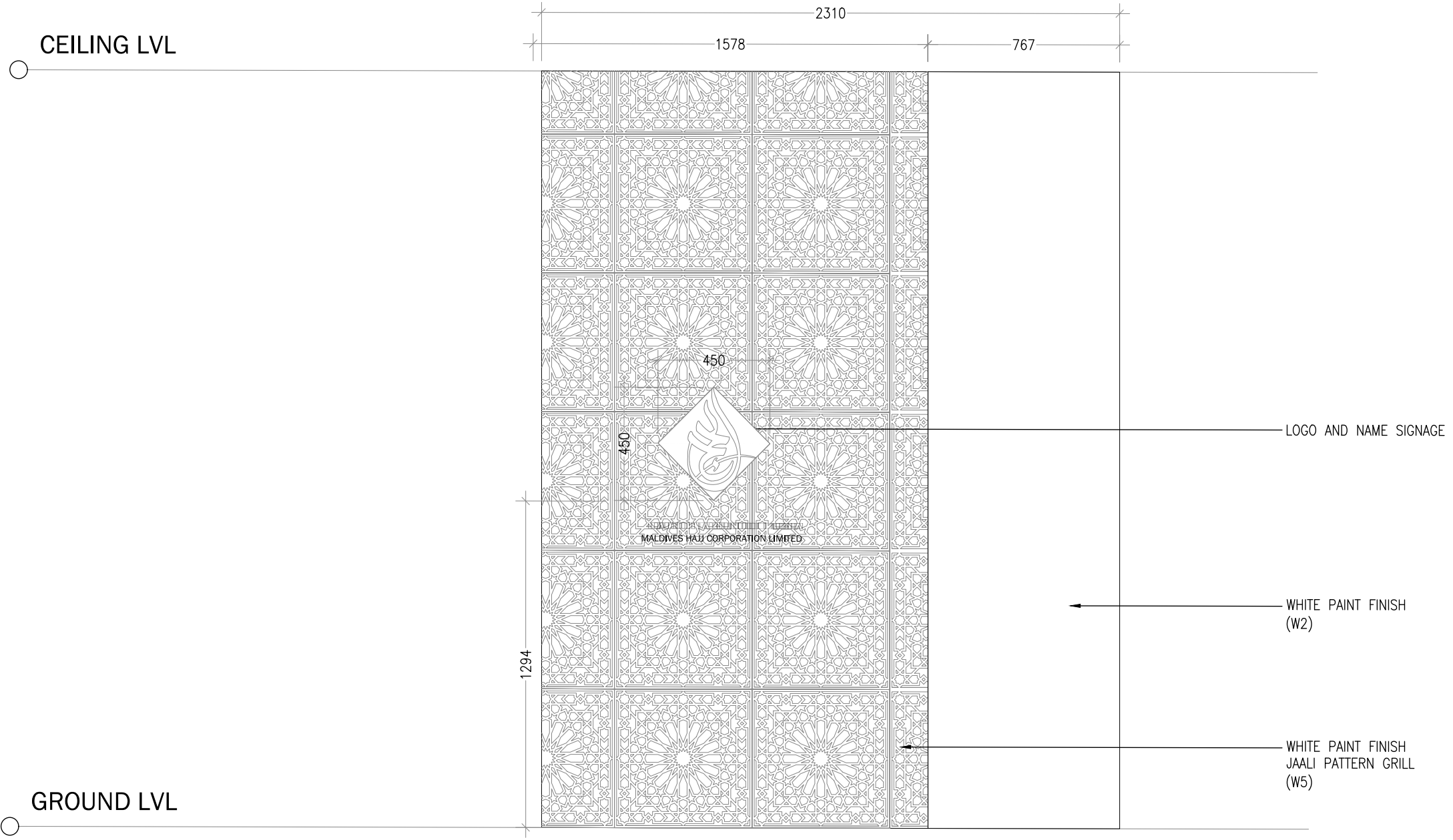
CORNER CORNICE



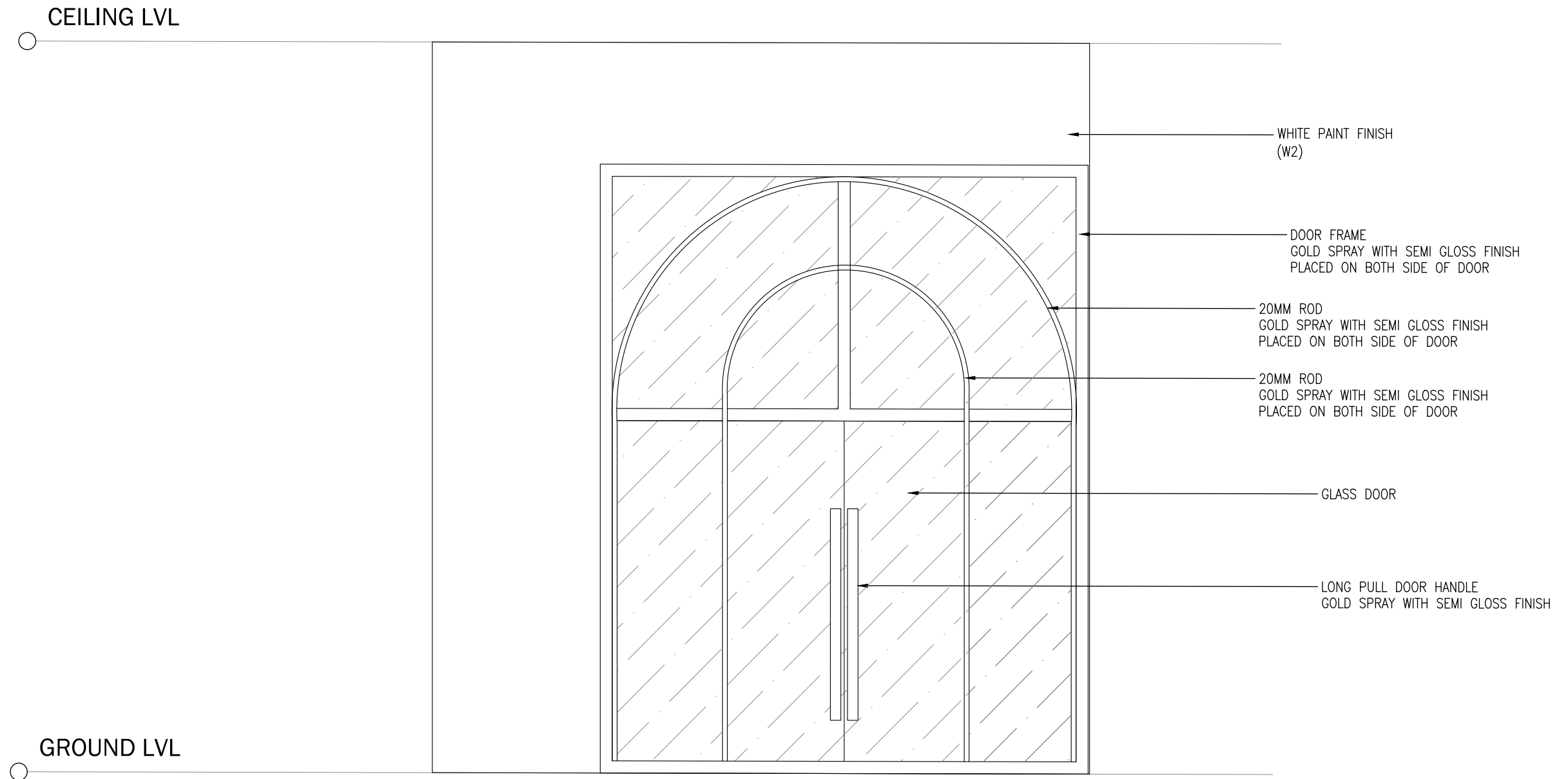
ELECTRICAL LEGEND

SYMBOL	NAME
	13A POWER SOCKET
	13A POWER SOCKET (FIRE EXIT BOARD)
	15A SWITCH SOCKET @ H.L.
	13A TWIN SOCKET
	13A TWIN SOCKET FLOOR MOUNT
	COMPUTER NETWORK OUTLET
	COMPUTER NETWORK OUTLET (2 GANG)

ELECTRICAL PLAN
SCALE 1:50

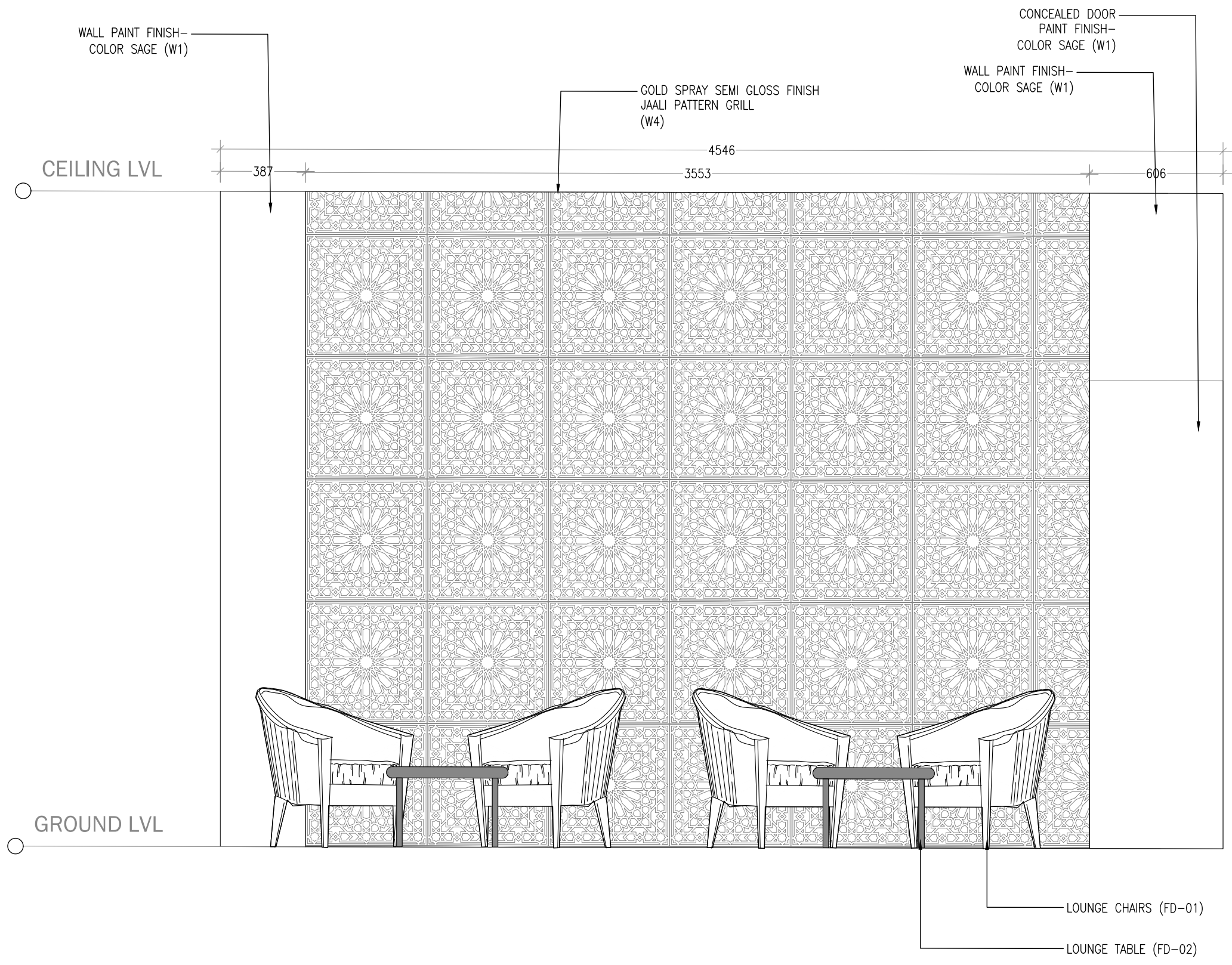


ELEVATION 01- ENTRANCE
SCALE 1:20

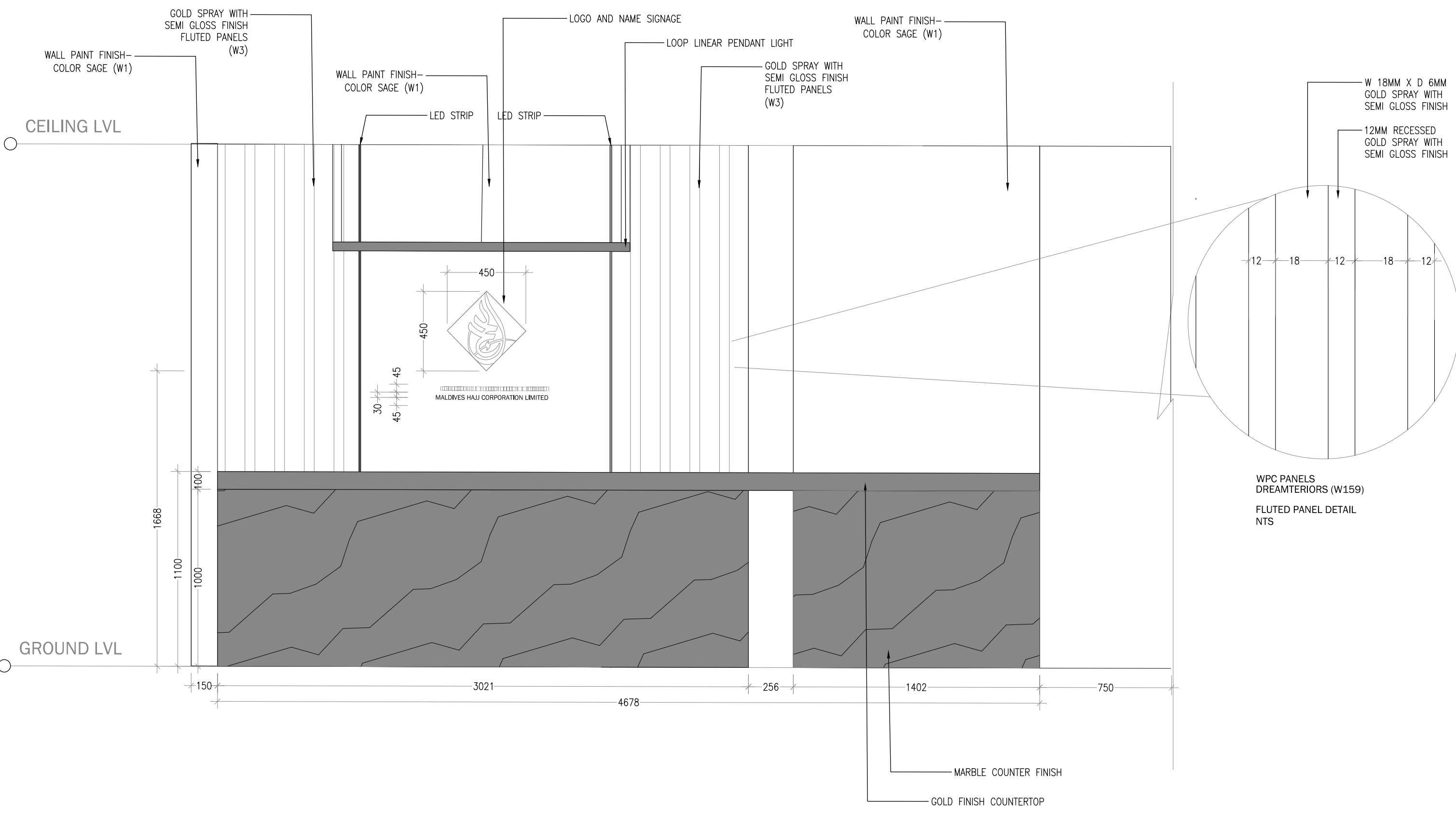


NOTE:
ON SITE MEASUREMENTS REQUIRED
TO MANUFACTURE THE DOOR

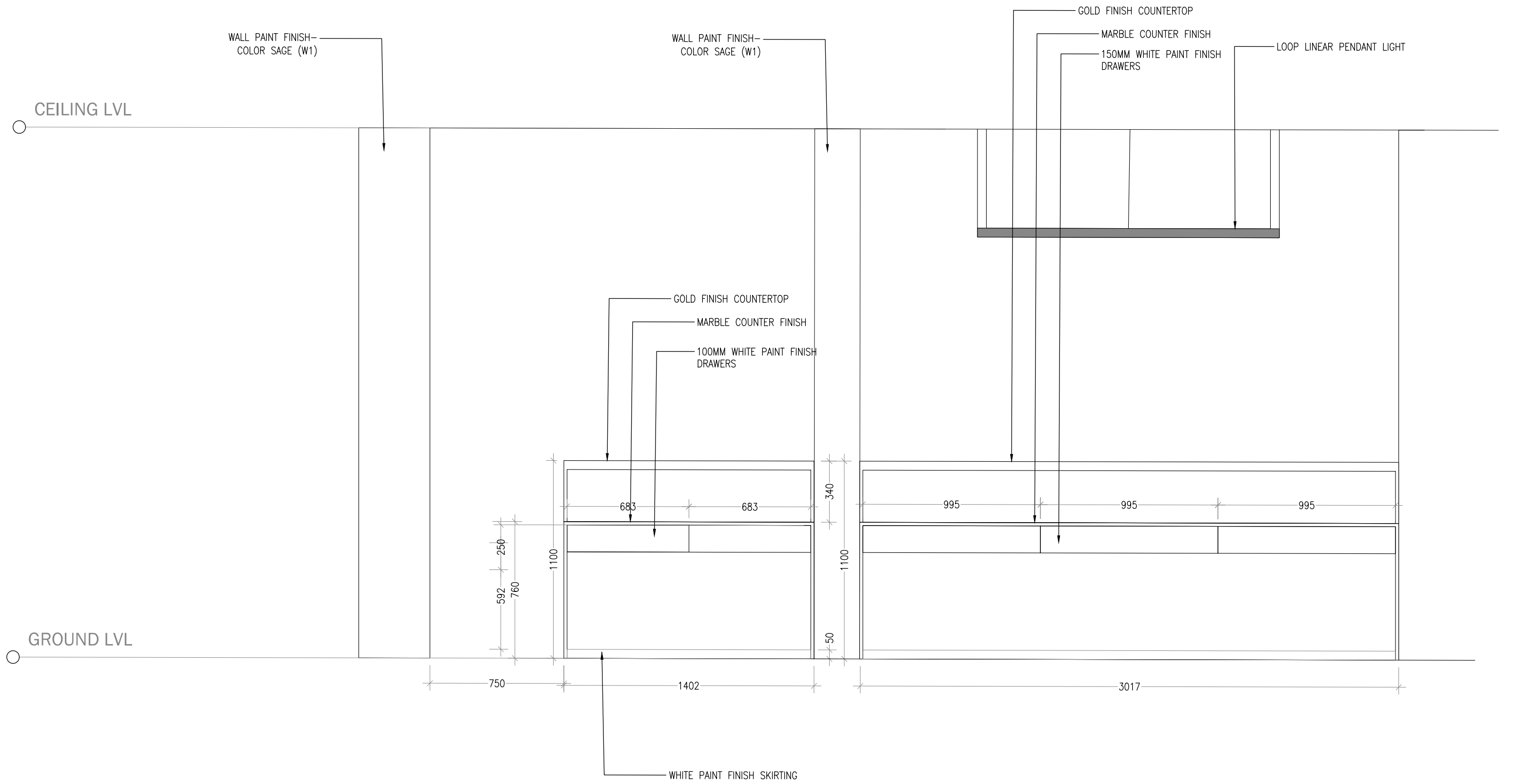
ELEVATION 02- ENTRANCE
SCALE 1:20



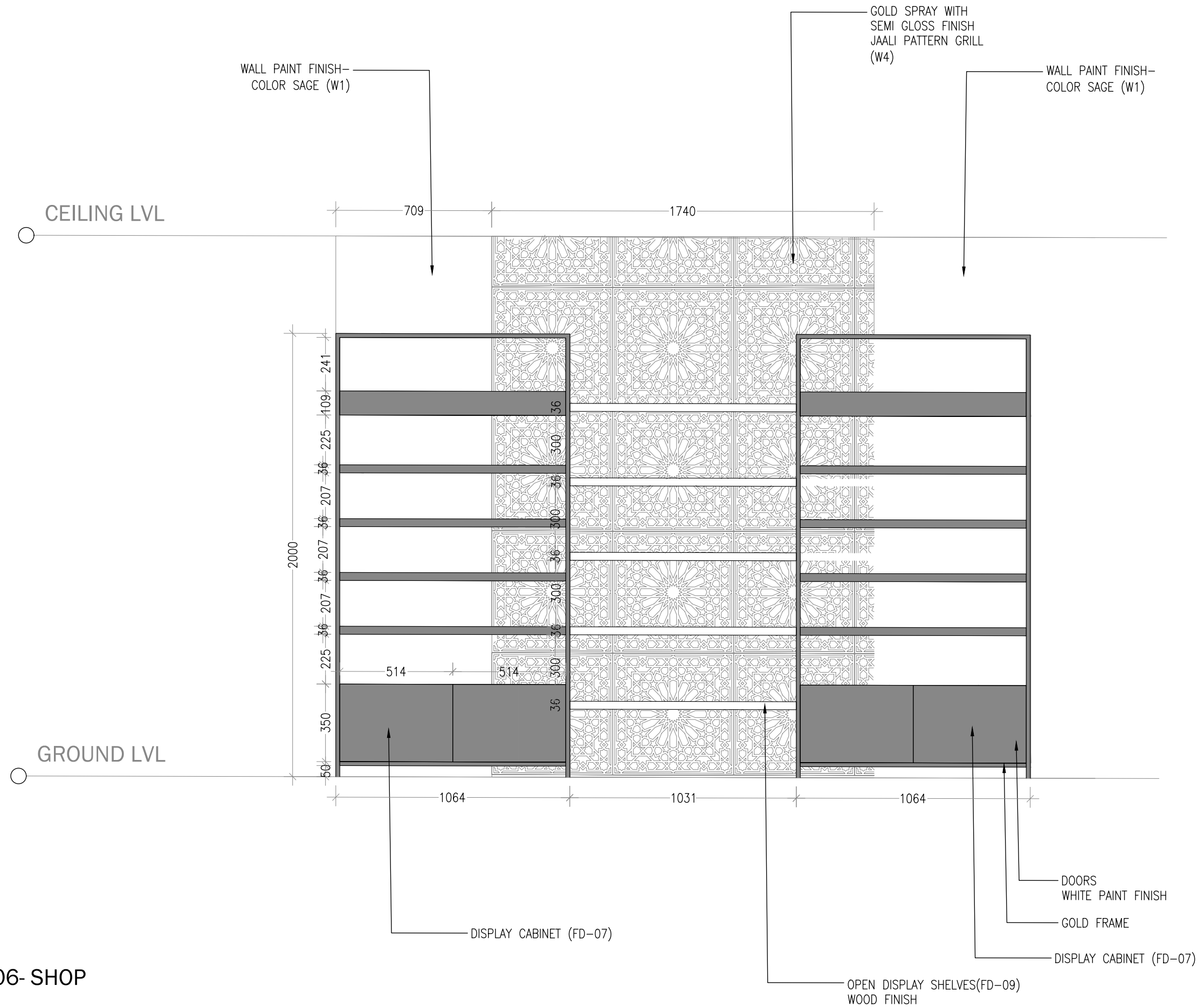
ELEVATION 03- LOUNGE
SCALE 1:20



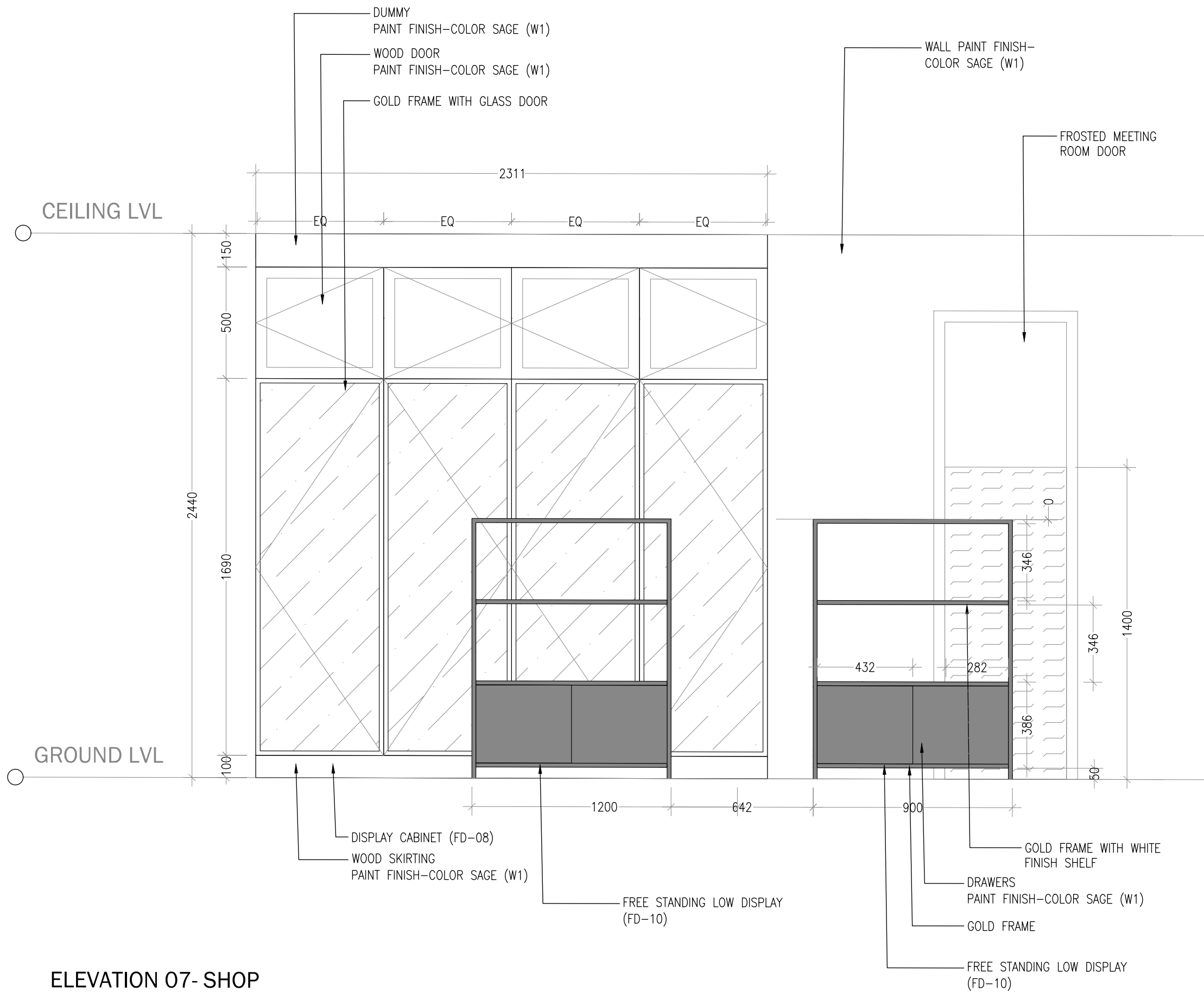
ELEVATION 04- RECEPTION
SCALE 1:20



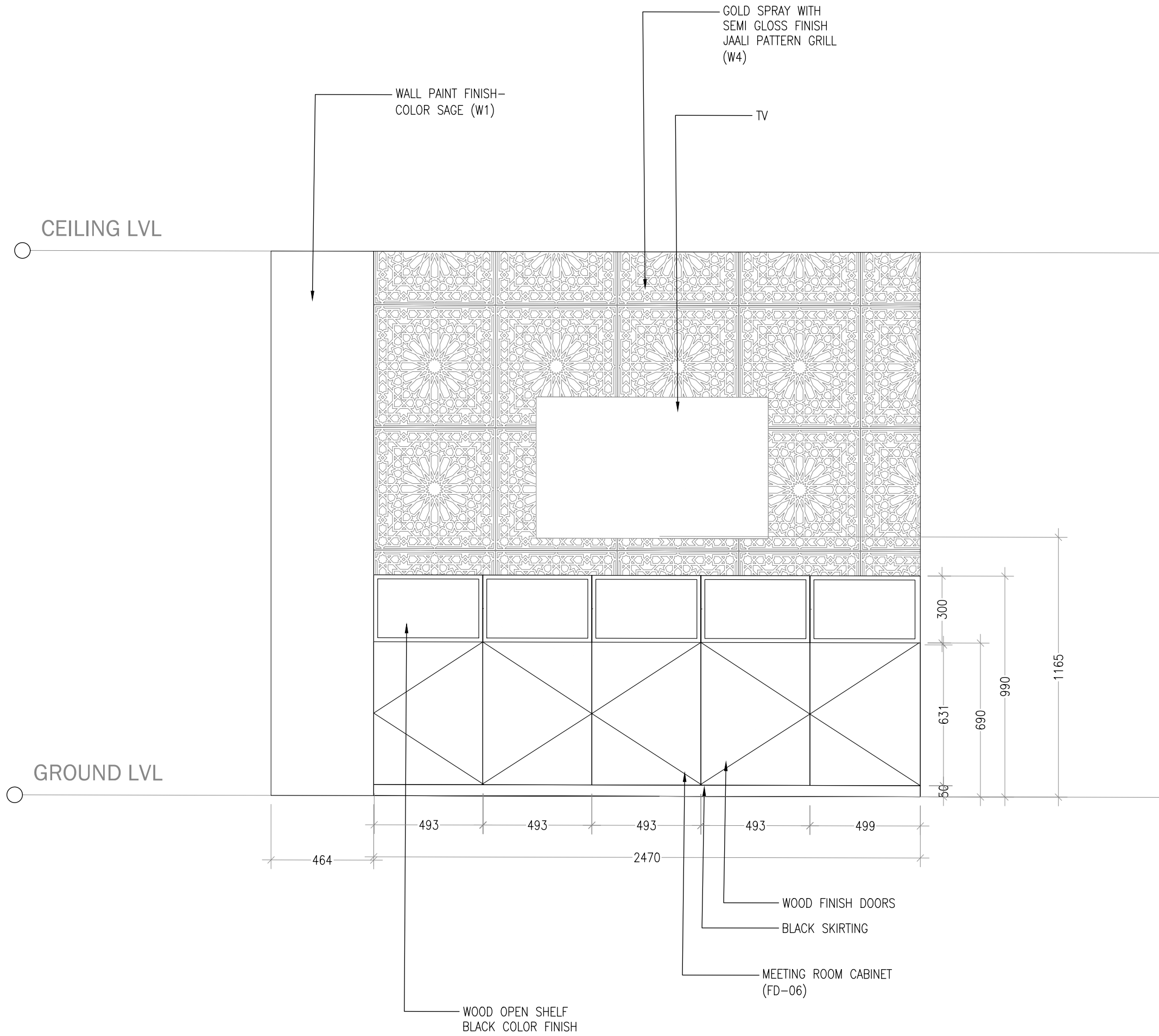
ELEVATION 05- RECEPTION
 SCALE 1:20



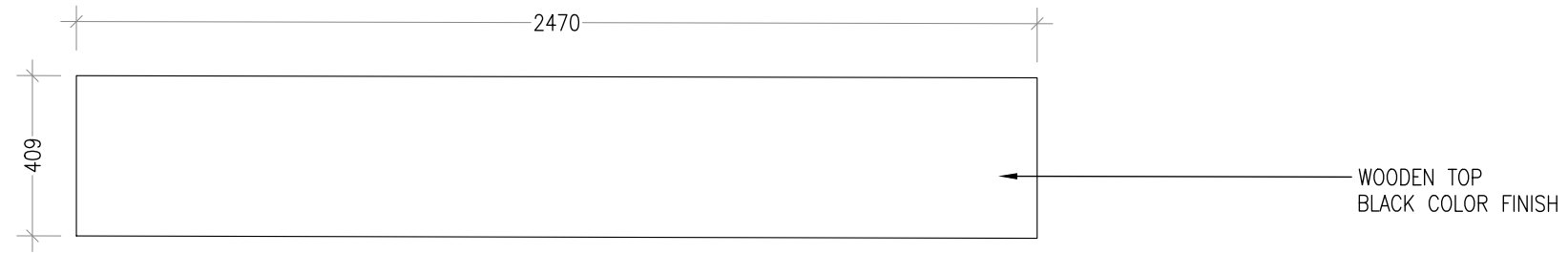
ELEVATION 06- SHOP
SCALE 1:20



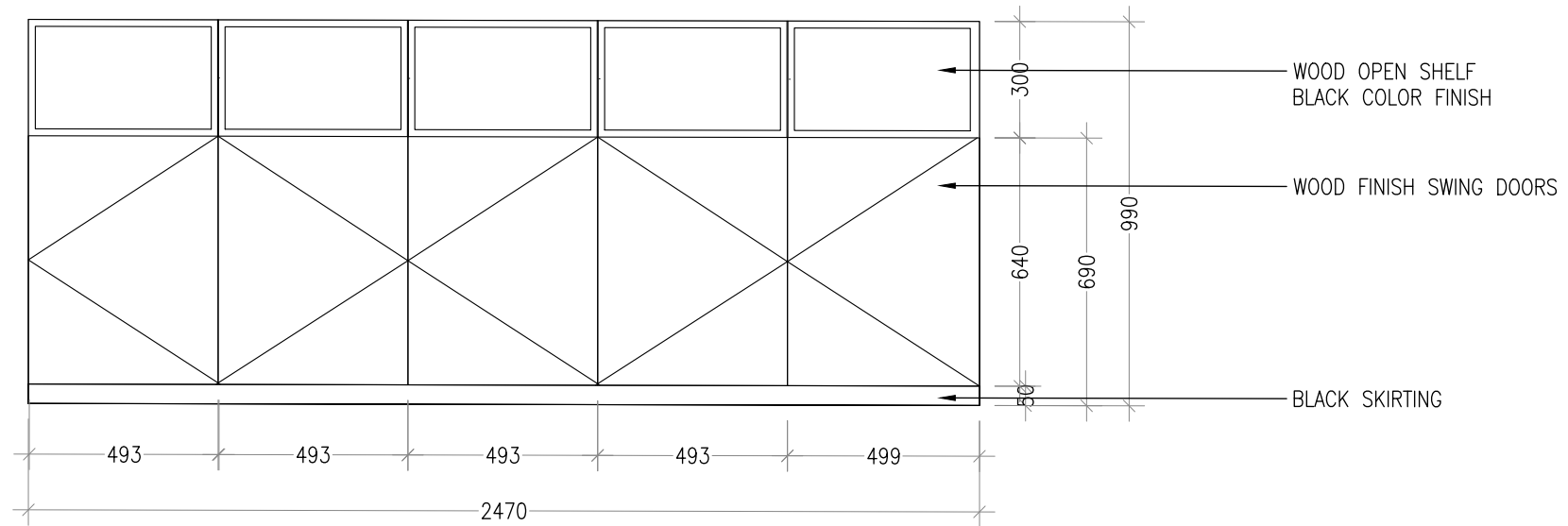
ELEVATION 07- SHOP
SCALE 1:20



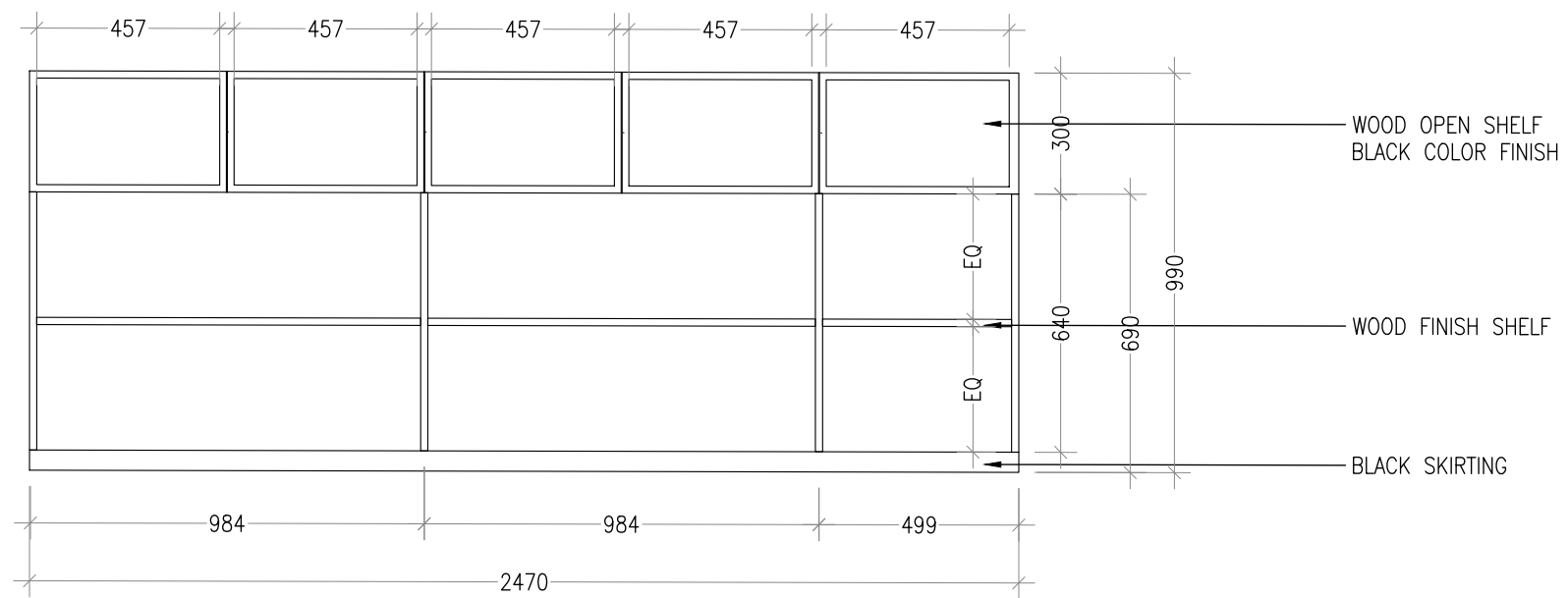
ELEVATION 08- MEETING ROOM
SCALE 1:20



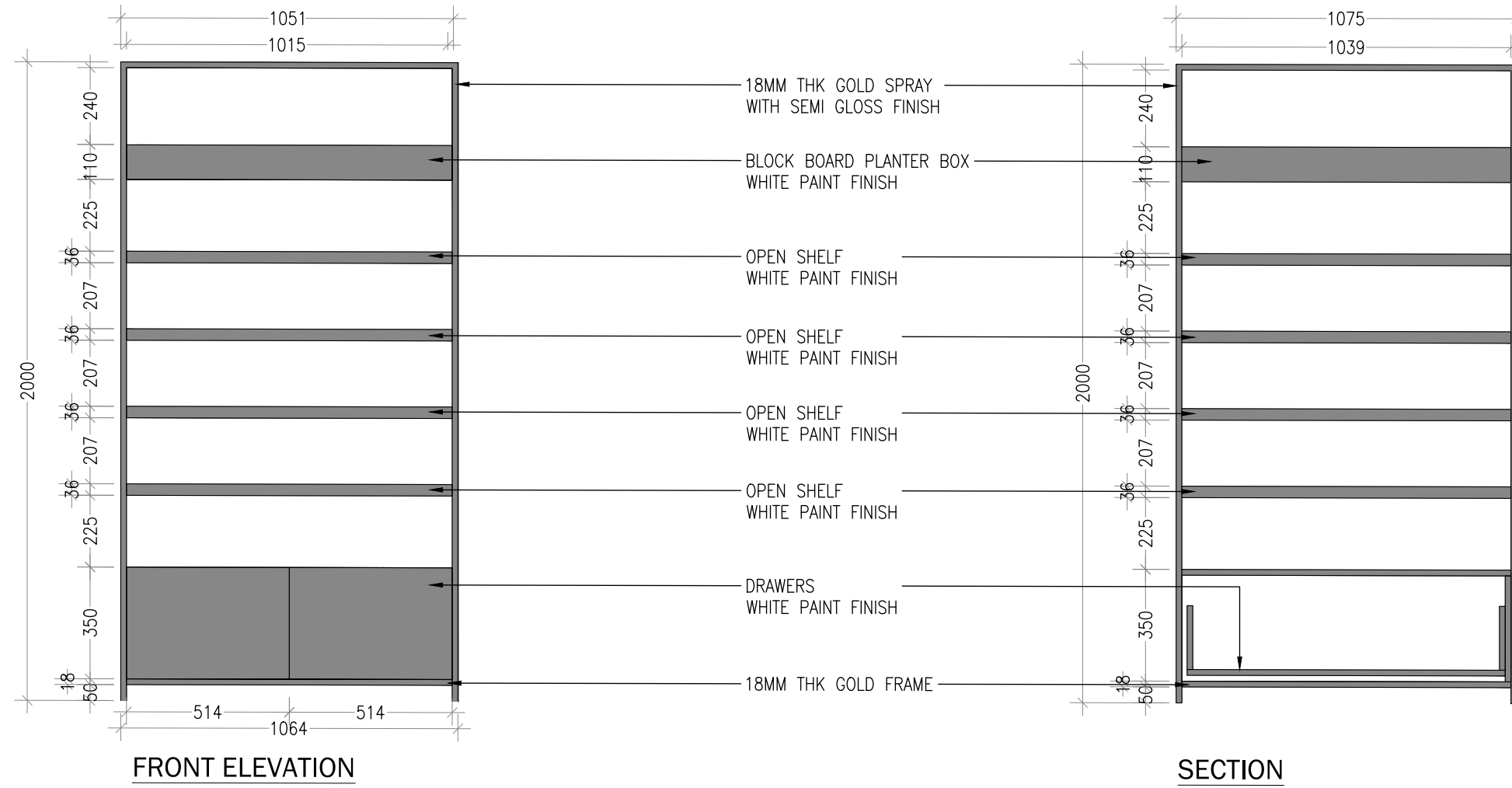
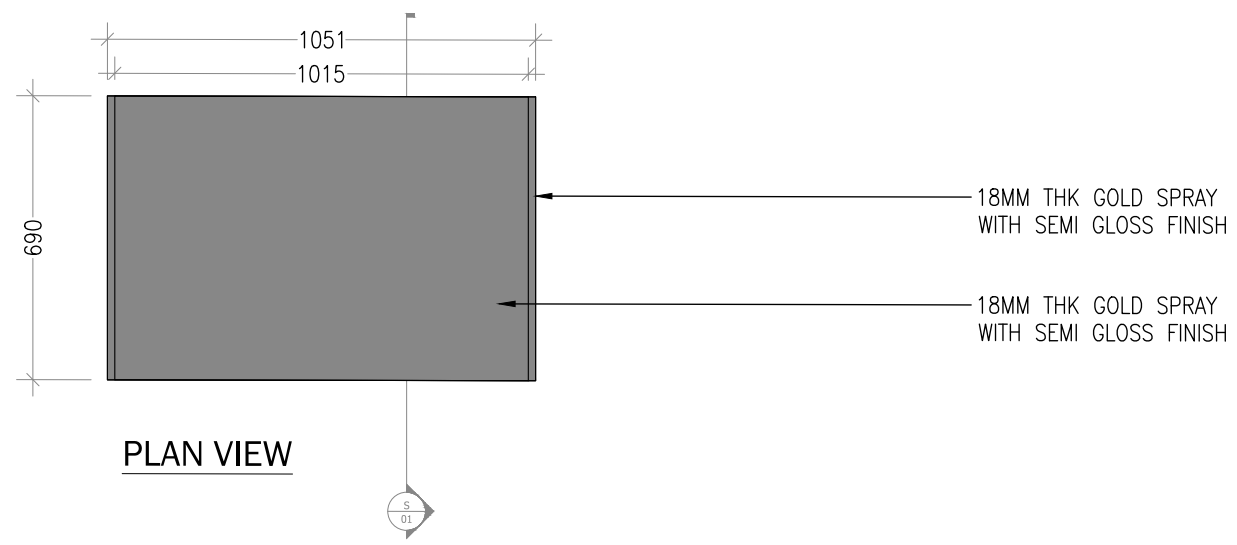
PLAN VIEW



ELEVATION WITH DOOR



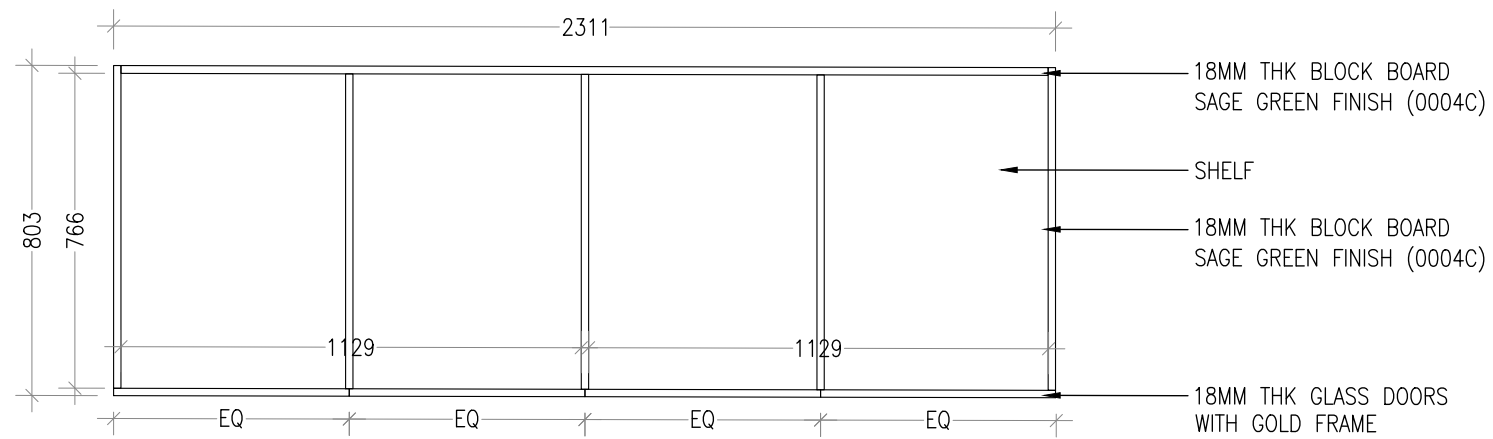
ELEVATION WITHOUT DOOR



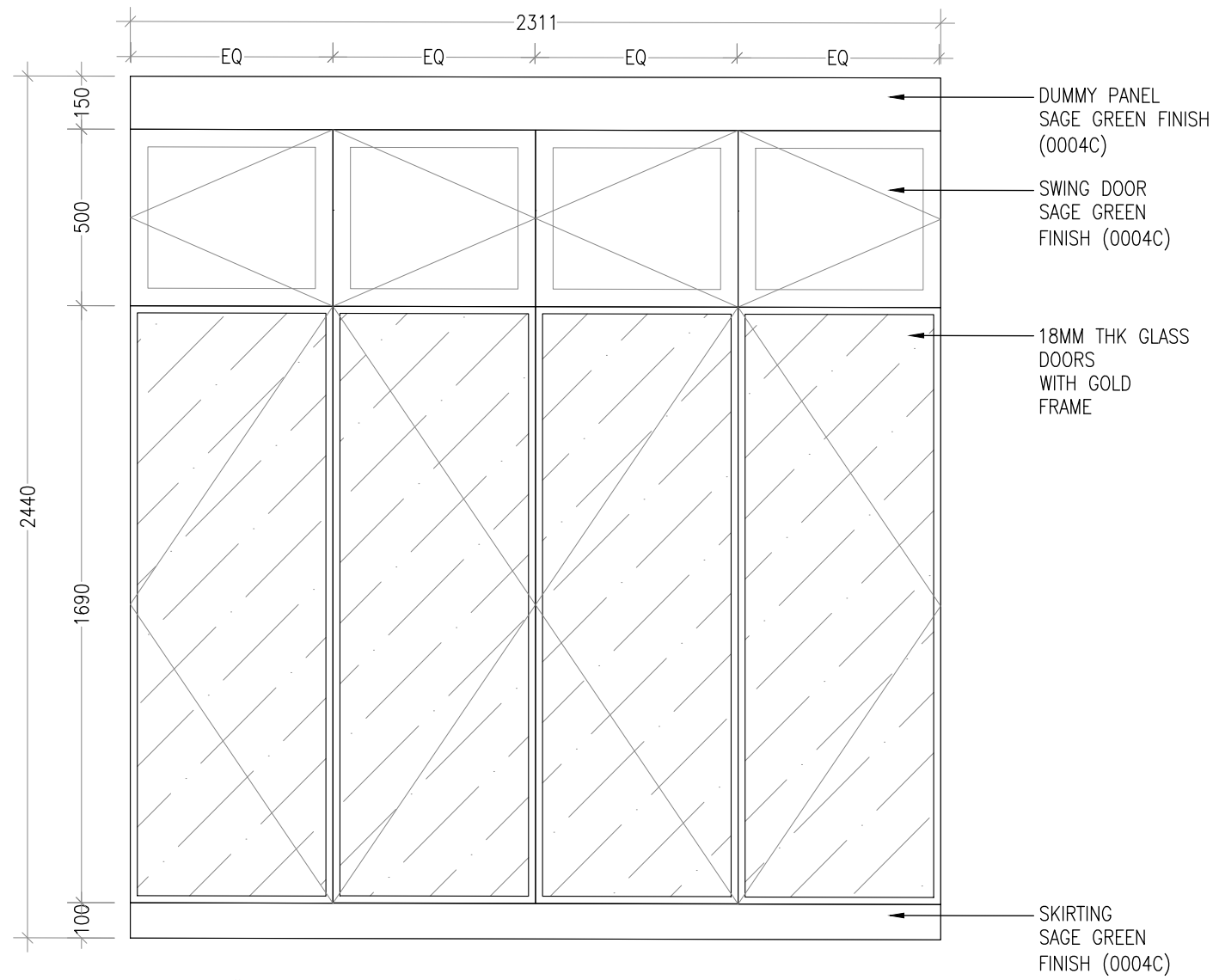
QTY: 02

DISPLAY CABINET (FD-07)

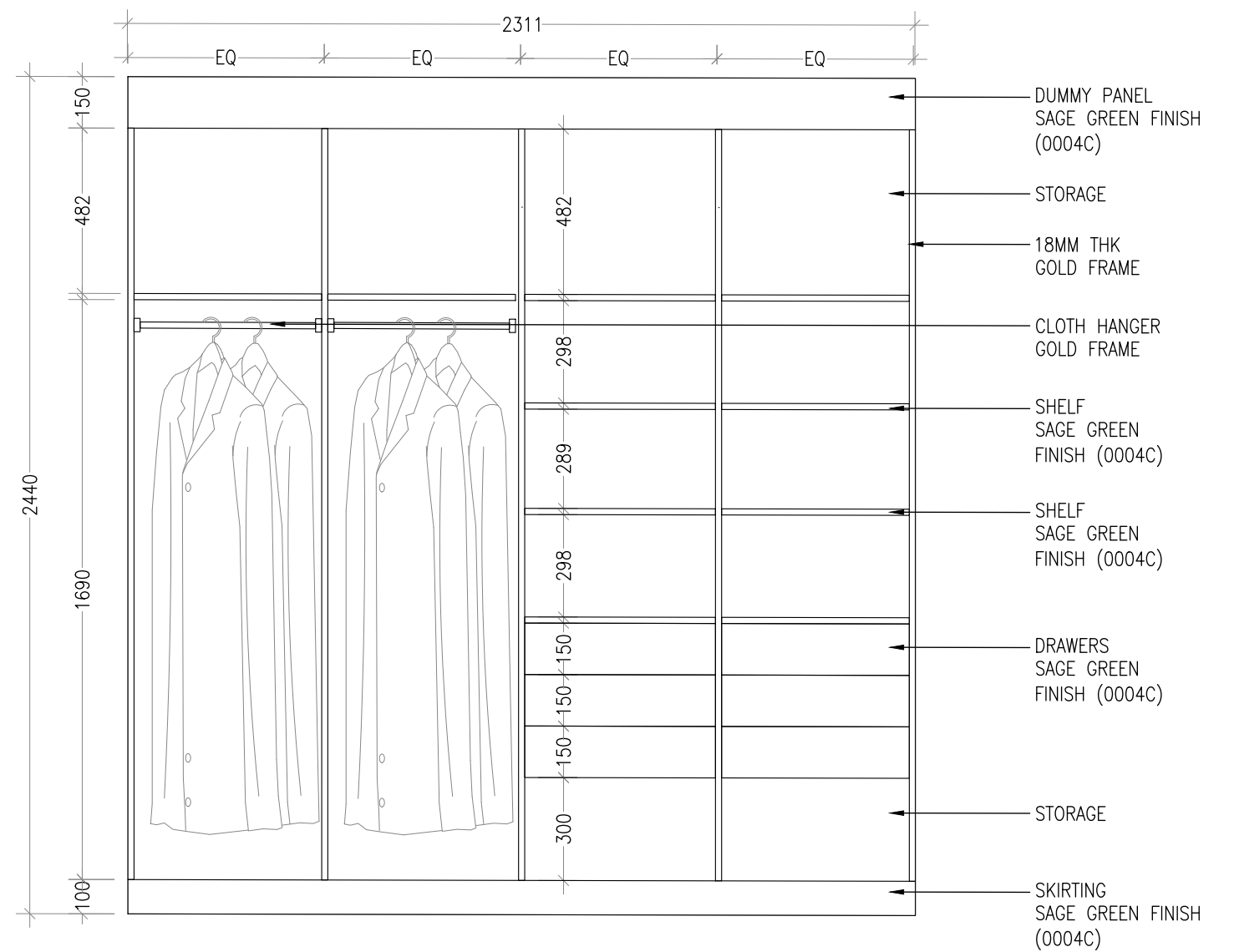
SCALE 1:20



PLAN VIEW



ELEVATION WITH DOORS

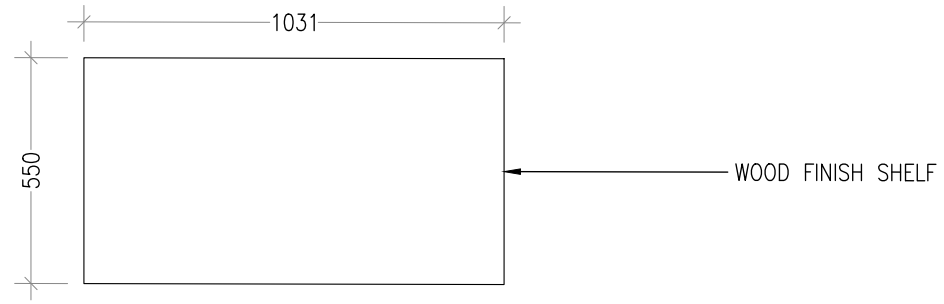


ELEVATION WITHOUT DOORS

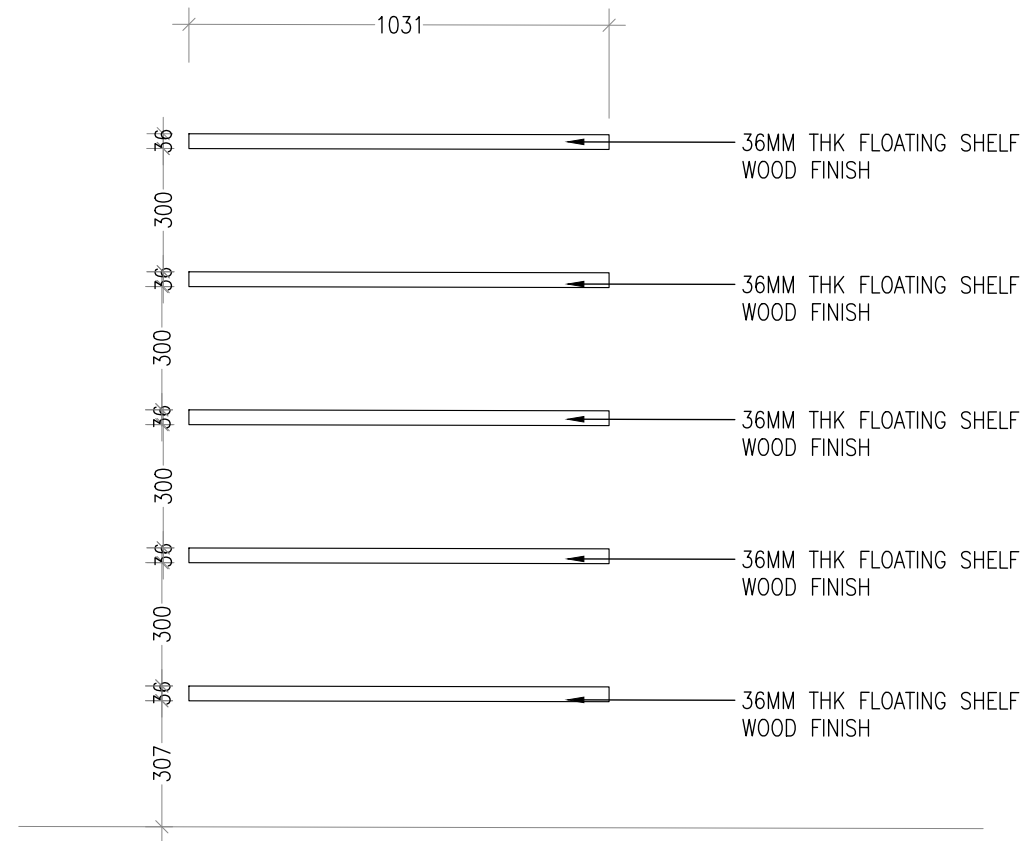
QTY: 01

DISPLAY CABINET (FD-08)

SCALE 1:20

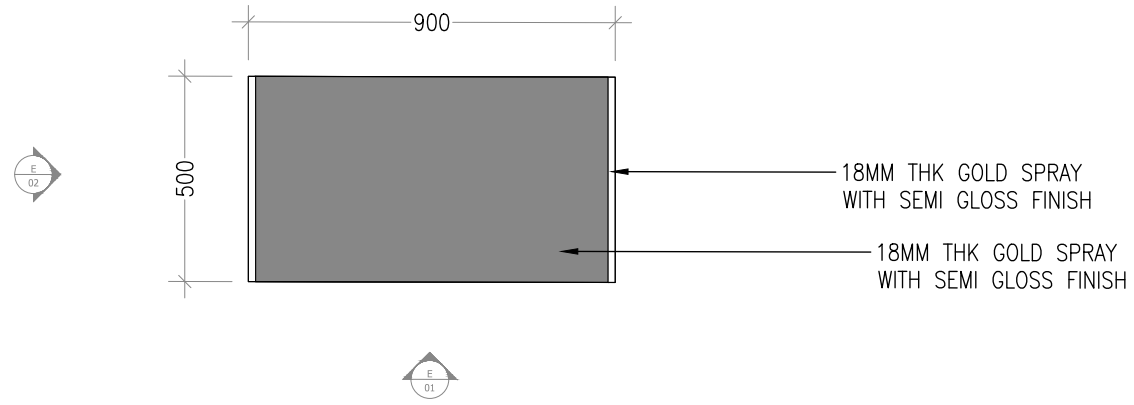


PLAN VIEW

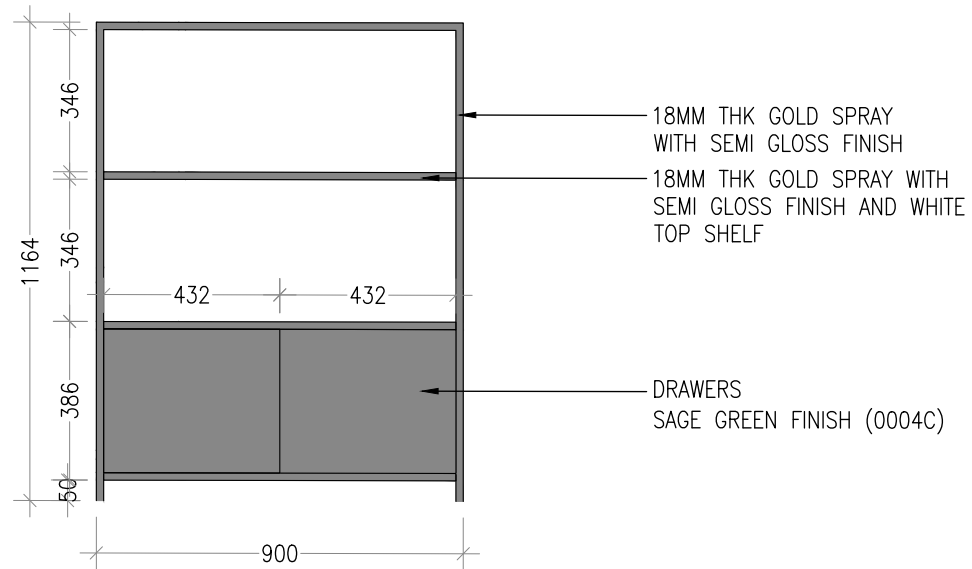


ELEVATION

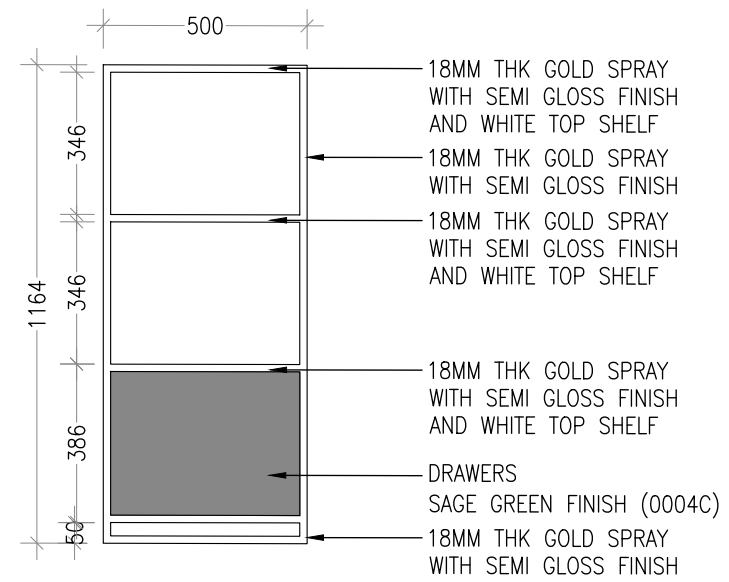
OPEN DISPLAY SHELF (FD-09)
SCALE 1:20



PLAN VIEW



ELEVATION 01



ELEVATION 02

QTY: 02

FREE STANDING LOW DISPLAY (FD-10)

SCALE 1:20