

PROPOSED V. FELIDHOO ATOLL
COUNCIL OFFICE BUILDING
ARCHITECTURAL AND STRUCTURAL DRAWINGS

2023.06.30

SIARCH
PRIVATE LIMITED
LONUZIYAARAY MAGU, MALE', 20075, MALDIVES
EMAIL: INFO@SIARCH.DESIGN
HTTP://WWW.SIARCH.DESIGN

V. FELIDHOO COUNCIL OFFICE

DRAWING INDEX

PROJECT CODE: RSD_212
 CLIENT: V. FELIDHOO ATOLL COUNCIL
 BUILDING: COUNCIL OFFICE
 BUILDING CODE: CL-OFC
 DWG FILE NAME: CL - OFC - COUNCIL OFFICE

DRAWING TITLE

BLDN.CODE.	DISC.	NO.	PDF FILE NAME	PRIMARY	SECONDARY	SCALE	FORMAT	DATE
CL-OFC	AR	00	BAR-CA_ AR00	DRAWING REGISTER		-	A3	2023.06.30
	AR	01	BAR-CA_ AR01	SITE PLAN		1:100	A3	2023.06.30
	AR	02	BAR-CA_ AR02	FLOOR PLAN		1:100	A3	2023.06.30
	AR	03	BAR-CA_ AR03	ROOF PLAN		1:100	A3	2023.06.30
	AR	04	BAR-CA_ AR04	REFLECTED CEILING PLAN		1:100	A3	2023.06.30
	AR	05	BAR-CA_ AR05	SECTION X-X		1:100	A3	2023.06.30
	AR	06	BAR-CA_ AR06	ELEVATION E1-E2		1:100	A3	2023.06.30
	AR	07	BAR-CA_ AR07	ELEVATION E3-E4		1:100	A3	2023.06.30
	AR	08	BAR-CA_ AR08	DOOR AND WINDOW SCHEDULE-1		1:100	A3	2023.06.30
	AR	09	BAR-CA_ AR09	DOOR AND WINDOW SCHEDULE-2		1:50	A3	2023.06.30
	AR	10	BAR-CA_ AR10	DOOR AND WINDOW SCHEDULE-3		1:50	A3	2023.06.30
	AR	11	BAR-CA_ AR11	CEILING & ROOF DETAIL		1:20 / 1:5	A3	2023.06.30
	ST	01	BAR-CA_ ST00	DEMOLITION PLAN		1:100	A3	2023.06.30
	ST	02	BAR-CA_ ST01	FOUNDATION PLAN		1:100	A3	2023.06.30
	ST	03	BAR-CA_ ST02	ROOF BEAM PLAN		1:100	A3	2023.06.30
	ST	04	BAR-CA_ ST03	ANNEX BUILDING ROOF FRAMING LAYOUT		1:100	A3	2023.06.30
	ST	05	BAR-CA_ ST04	STRUCTURAL DETAILS		1:10	A3	2023.06.30

CLIENT: VAAVU ATOLL COUNCIL

DESIGN AND CONSULTANCY:



KEY PLAN:

WARNING:

- This drawing shall not be used for construction unless certified.
- Contractor to verify all dimensions of existing works on site before commencing any work or preparing shop drawings.
- Do not scale drawings, use written dimensions only.
- This drawing is to be read in conjunction with the specifications and conditions of contract.
- This drawing and design is copyright and no portion may be reproduced without the permission of the Consultant

REVISIONS

NO	DESCRIPTION	DATE

PROJECT:

BAARAH HERITAGE SITE

PHASE:

- CONCEPT DESIGN
- DESIGN DEVELOPMENT
- TENDER DOCUMENT
- FOR CONSTRUCTION
- AS BUILD DRAWINGS

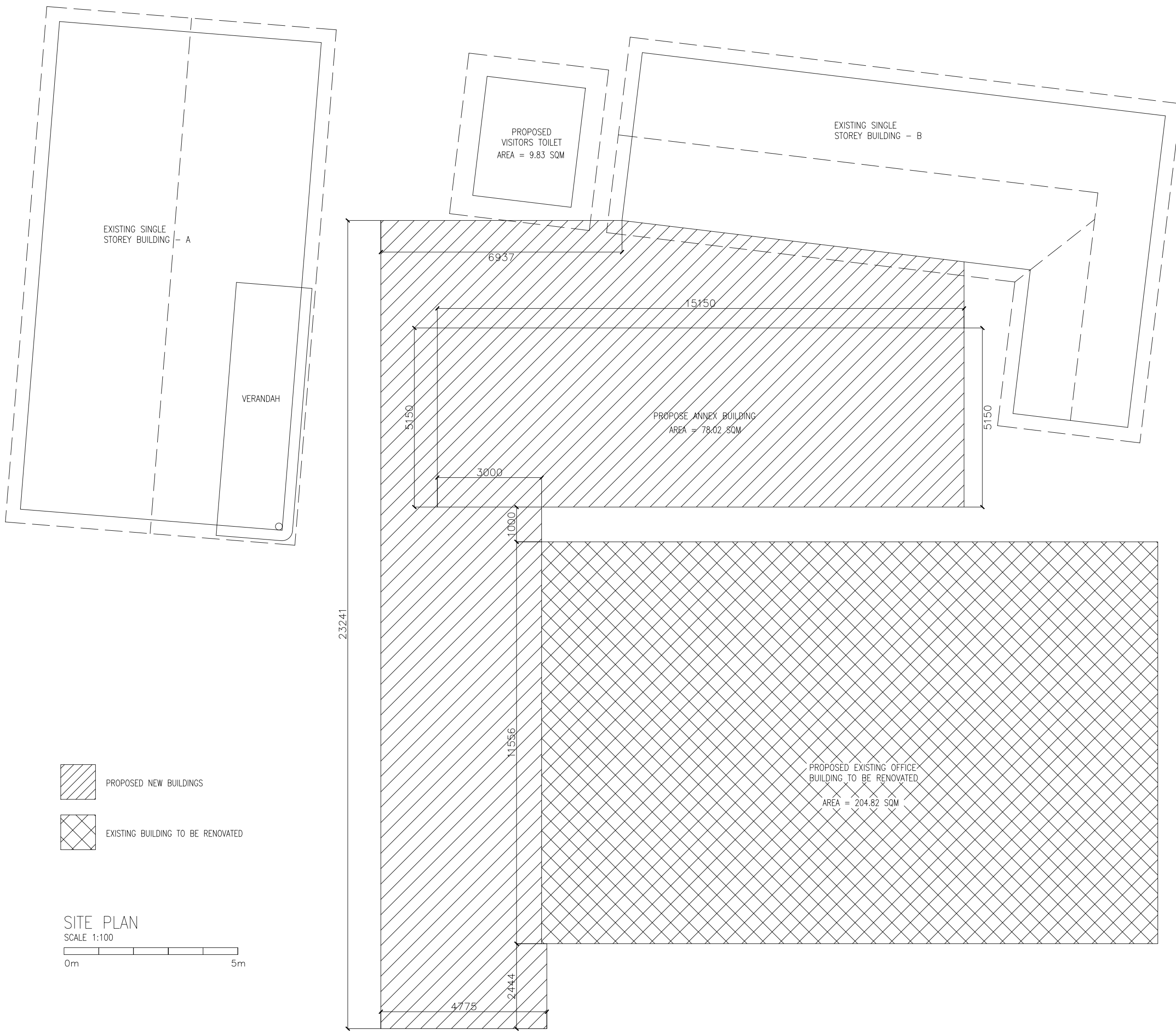
DESIGNATION	NAME
DESIGN BY:	SIARCH PVT LTD
STR. ENGINEER	ALI NISHAM
ARCHITECT	MUTHO
CHECKED	MOHAMED SIRAJ
DRAWN BY:	MAASA ABDULLA

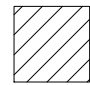
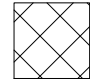
BUILDING:

OFFICE

DRAWING REGISTER

CODE	DATE	DWG. NO:
REP	2023.06.30	AR 00
FORMAT	A1 A2 A3	ISSUE A
SCALE	- - nts	FILE NAME: BAR-CA_ AR00



-  PROPOSED NEW BUILDINGS
-  EXISTING BUILDING TO BE RENOVATED



KEY PLAN:

WARNING:

- This drawing shall not be used for construction unless certified.
- Contractor to verify all dimensions of existing works on site before commencing any work or preparing shop drawings.
- Do not scale drawings, use written dimensions only.
- This drawing is to be read in conjunction with the specifications and conditions of contract.
- This drawing and design is copyright and no portion may be reproduced without the permission of the Consultant

REVISIONS		
NO	DESCRIPTION	DATE

PROJECT:
V. FELIDHOO ATOLL COUNCIL OFFICE

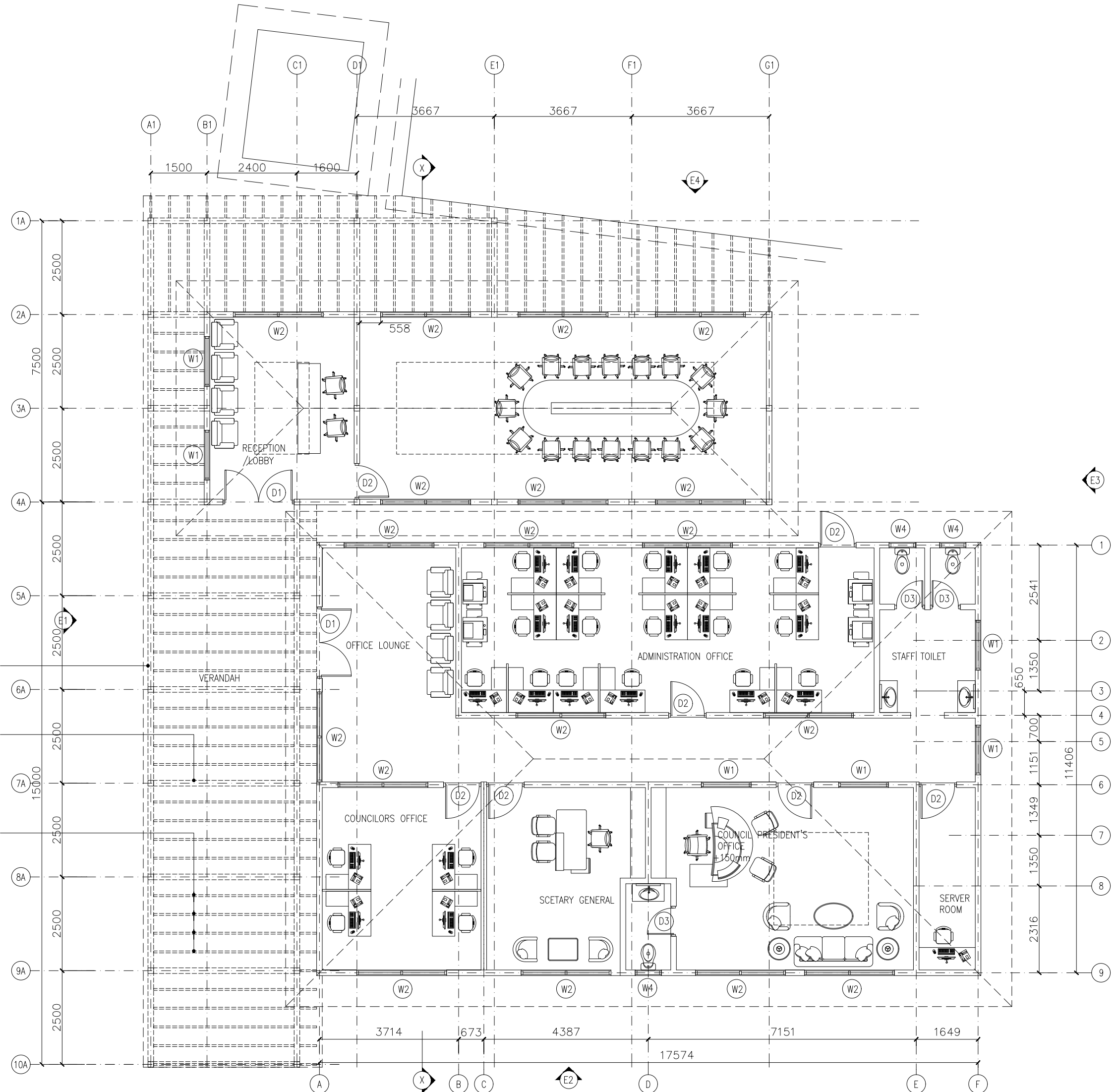
- PHASE:
- CONCEPT DESIGN
 - DESIGN DEVELOPMENT
 - TENDER DOCUMENT
 - FOR CONSTRUCTION
 - AS BUILD DRAWINGS

DESIGNATION	NAME
DESIGN BY:	SIARCH PVT LTD
STR. ENGINEER	ALI NISHAM
ARCHITECT	MUTHO
CHECKED	MOHAMED SIRAJ
DRAWN BY:	MAASA ABDULLA

BUILDING:
OFFICE

SITE PLAN

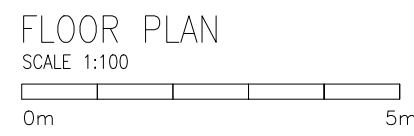
CODE	DATE	DWG. NO:
CA	2023.06.30	AR 01
FORMAT	A1 A2 A3	ISSUE A
SCALE	- 1:100	FILE NAME: BAR-CA_AR01



150 X 200 RC BEAM ABOVE WITH FRAMED WALL AND ALUMINIUM CLADDING

150 X 200 RC BEAM ABOVE

50 X 150 TIMBER RAFTERS @ 500 C/C FIXED TO RC BEAMS



CLIENT: VAAVU ATOLL COUNCIL
DESIGN AND CONSULTANCY: SIARCH PRIVATE LIMITED
CONSULTANCY ADDRESS: MALDIVES
EMAIL: INFO@SIARCH.DESIGN
HTTP://WWW.SIARCH.DESIGN

KEY PLAN:

WARNING:

- This drawing shall not be used for construction unless certified.
- Contractor to verify all dimensions of existing works on site before commencing any work or preparing shop drawings.
- Do not scale drawings, use written dimensions only.
- This drawing is to be read in conjunction with the specifications and conditions of contract.
- This drawing and design is copyright and no portion may be reproduced without the permission of the Consultant

REVISIONS		
NO	DESCRIPTION	DATE

PROJECT:
V. FELIDHOO ATOLL COUNCIL OFFICE

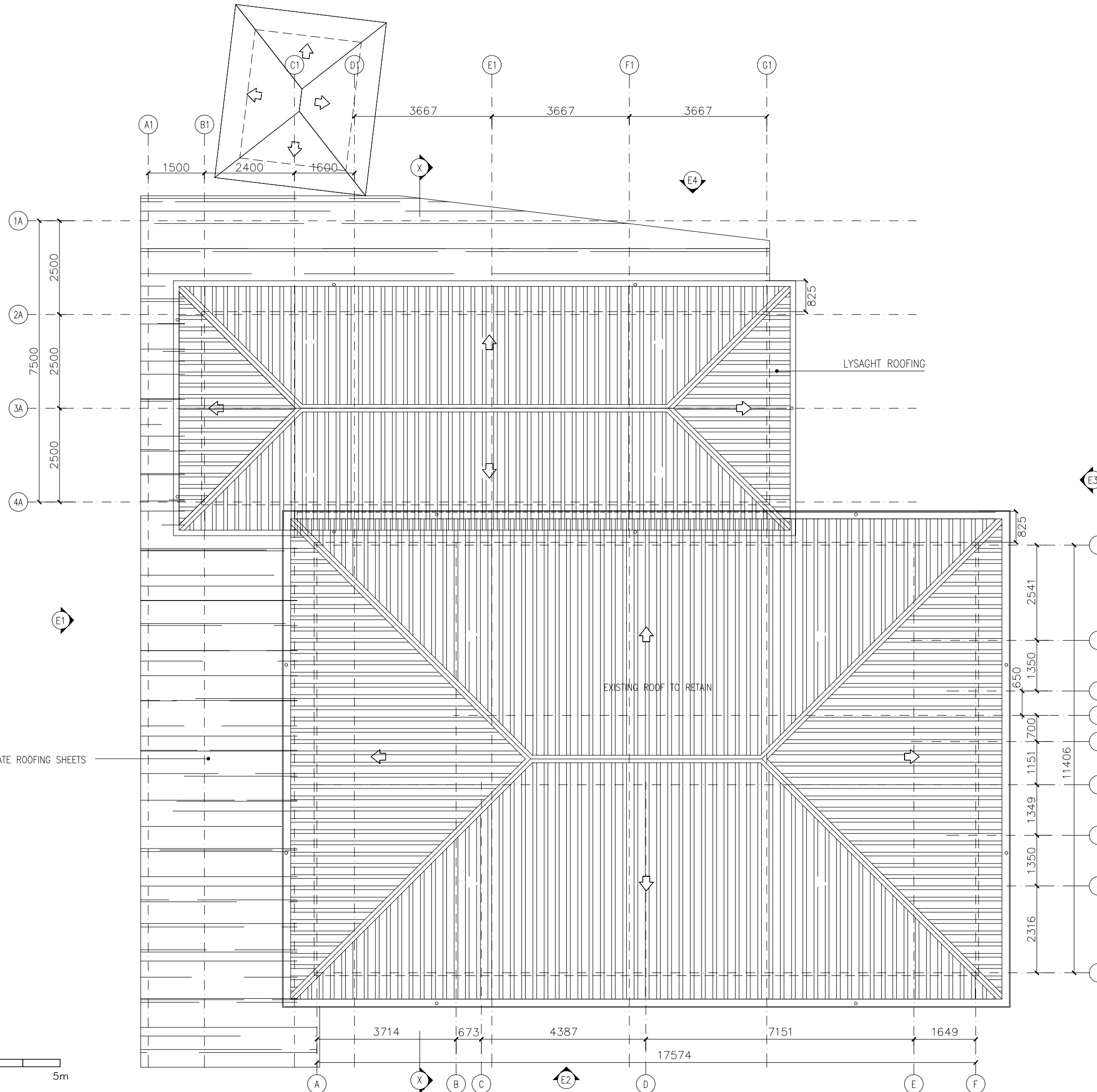
PHASE:
 CONCEPT DESIGN
 DESIGN DEVELOPMENT
 TENDER DOCUMENT
 FOR CONSTRUCTION
 AS BUILD DRAWINGS

DESIGNATION	NAME
DESIGN BY:	SIARCH PVT LTD
STR. ENGINEER	ALI NISHAM
ARCHITECT	MUTHO
CHECKED	MOHAMED SIRAJ
DRAWN BY:	MAASA ABDULLA

BUILDING: OFFICE

FLOOR PLAN

CODE	DATE	DWG. NO:
CA	2023.06.30	AR 02
FORMAT	A1 A2 A3	ISSUE A
SCALE	1:100	FILE NAME: BAR-CA_AR02



ROOF PLAN
SCALE 1:100
0m 5m

KEY PLAN:

WARNING:
- This drawing shall not be used for construction unless certified.
- Contractor to verify all dimensions of existing works on site before commencing any work or preparing shop drawings.
- Do not scale drawings, use written dimensions only.
- This drawing is to be read in conjunction with the specifications and conditions of contract.
- This drawing and design is copyright and no portion may be reproduced without the permission of the Consultant

REVISIONS		
NO	DESCRIPTION	DATE

PROJECT:
V. FELIDHOO ATOLL COUNCIL OFFICE

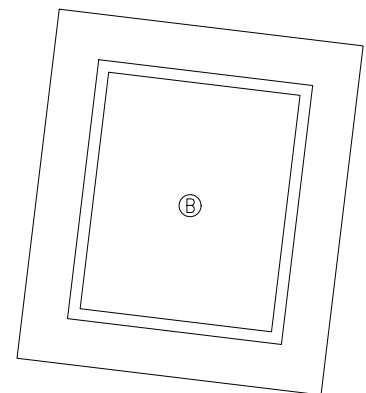
- PHASE:
- CONCEPT DESIGN
 - DESIGN DEVELOPMENT
 - TENDER DOCUMENT
 - FOR CONSTRUCTION
 - AS BUILD DRAWINGS

DESIGNATION	NAME
DESIGN BY:	SIARCH PVT LTD
STR. ENGINEER	ALI NISHAM
ARCHITECT	MUTHO
CHECKED	MOHAMED SIRAJ
DRAWN BY:	MAASA ABDULLA

BUILDING:
OFFICE

ROOF PLAN

CODE	DATE	DWG. NO:
CA	2023.06.30	AR 03
FORMAT	A1 A2 A3	ISSUE A
SCALE	- - 1:100	FILE NAME: BAR-CA_AR03



LEGEND

LUMINARIES CEILING MOUNT	
LED ROPE CEILING LIGHT	
GROOVED TIMBER BOARD CEILING	
ACOUSTIC CEILING BOARDS TO SPECIFICATION	

CLIENT: VAAVU ATOLL COUNCIL

DESIGN AND CONSULTANCY:



KEY PLAN:

WARNING:

- This drawing shall not be used for construction unless certified.
- Contractor to verify all dimensions of existing works on site before commencing any work or preparing shop drawings.
- Do not scale drawings, use written dimensions only.
- This drawing is to be read in conjunction with the specifications and conditions of contract.
- This drawing and design is copyright and no portion may be reproduced without the permission of the Consultant

REVISIONS

NO	DESCRIPTION	DATE

PROJECT:

V. FELIDHOO ATOLL COUNCIL OFFICE

PHASE:

- CONCEPT DESIGN
- DESIGN DEVELOPMENT
- TENDER DOCUMENT
- FOR CONSTRUCTION
- AS BUILD DRAWINGS

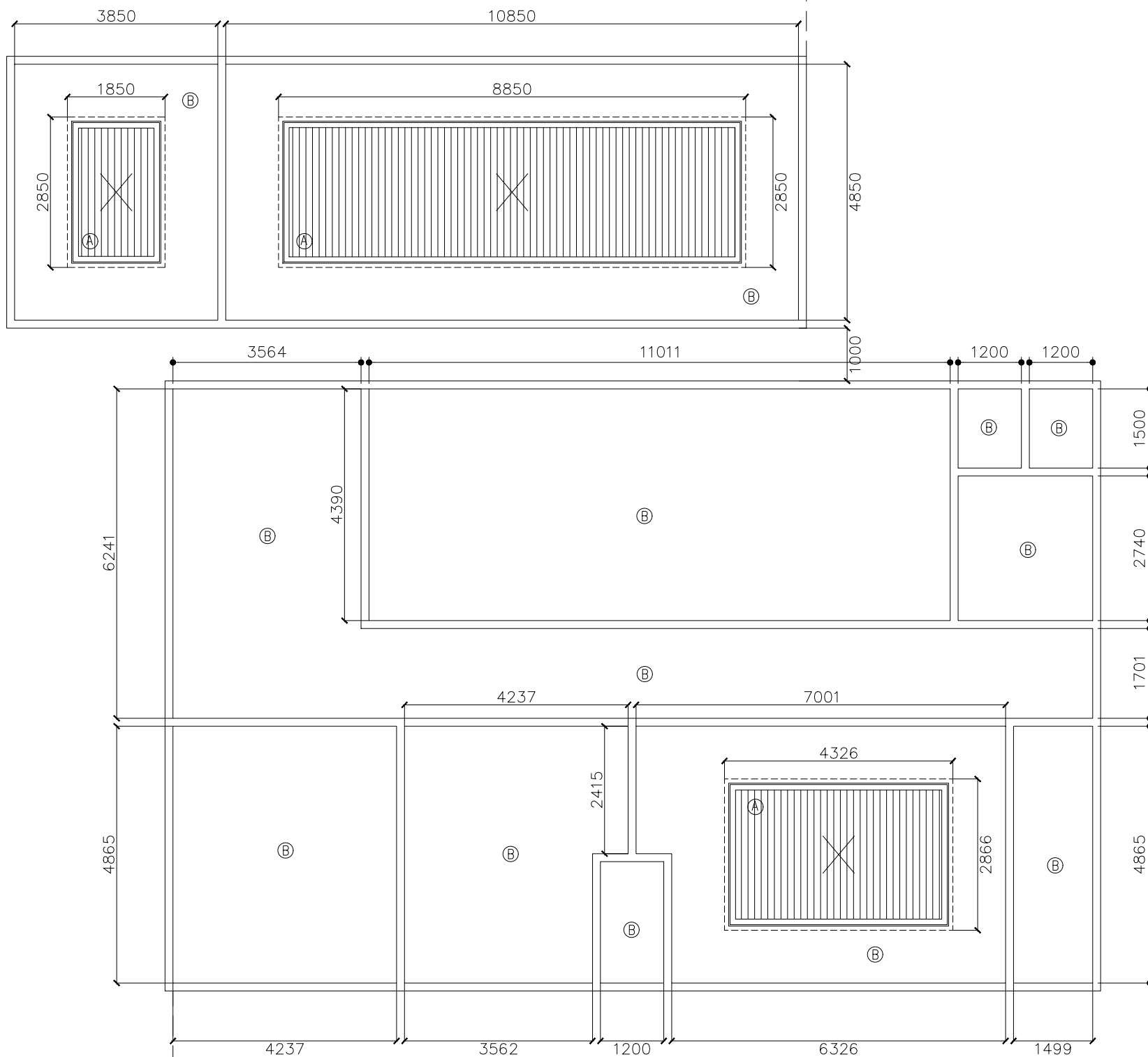
DESIGNATION	NAME
DESIGN BY:	SIARCH PVT LTD
STR. ENGINEER	ALI NISHAM
ARCHITECT	MUTHO
CHECKED	MOHAMED SIRAJ
DRAWN BY:	MAASA ABDULLA

BUILDING:

OFFICE

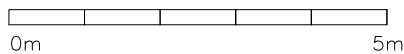
REFLECTED CEILING PLAN

CODE	DATE	DWG. NO:
CA	2023.06.30	AR 04
FORMAT	A1 A2 A3	ISSUE A
SCALE	- - 1:100	FILE NAME: BAR-CA_AR04



REFLECTED CEILING PLAN

SCALE 1:100



0m 5m

CLIENT:
VAAVU ATOLL
COUNCIL

DESIGN AND CONSULTANCY:
SIARCH
PRIVATE LIMITED
CONSTRUCTION REGULATORY AUTHORITY MALDIVES
EMAIL: INFO@SIARCH.DESIGN
HTTP://WWW.SIARCH.DESIGN

KEY PLAN:

WARNING:

- This drawing shall not be used for construction unless certified.
- Contractor to verify all dimensions of existing works on site before commencing any work or preparing shop drawings.
- Do not scale drawings, use written dimensions only.
- This drawing is to be read in conjunction with the specifications and conditions of contract.
- This drawing and design is copyright and no portion may be reproduced without the permission of the Consultant

REVISIONS		
NO	DESCRIPTION	DATE

PROJECT:

V. FELIDHOO ATOLL
COUNCIL OFFICE

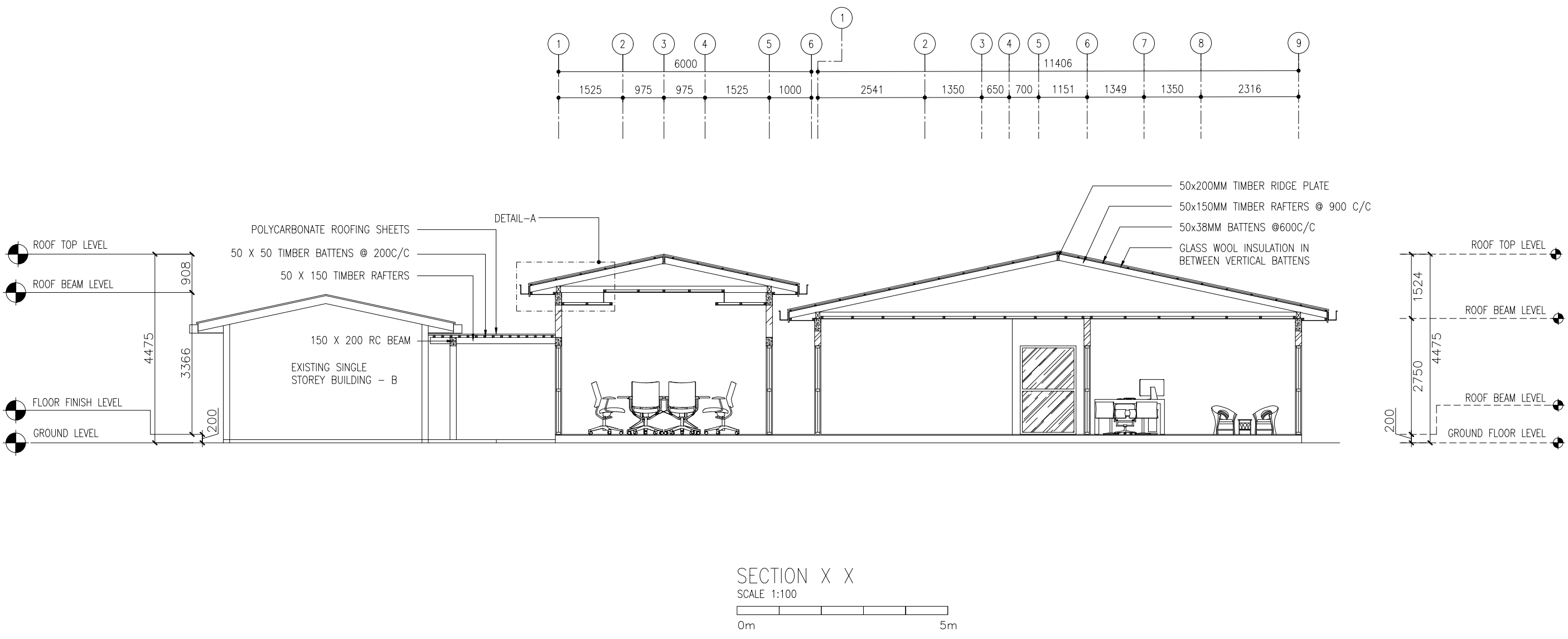
PHASE:
 CONCEPT DESIGN
 DESIGN DEVELOPMENT
 TENDER DOCUMENT
 FOR CONSTRUCTION
 AS BUILD DRAWINGS

DESIGNATION	NAME
DESIGN BY:	SIARCH PVT LTD
STR. ENGINEER	ALI NISHAM
ARCHITECT	MUTHO
CHECKED	MOHAMED SIRAJ
DRAWN BY:	MAASA ABDULLA

BUILDING:
OFFICE

SECTION X-X

CODE	DATE	DWG. NO:
CA	2023.06.30	AR 05
FORMAT	A1 A2 A3	ISSUE A
SCALE	- 1:100	FILE NAME: BAR-CA_AR05



SECTION X X
SCALE 1:100
0m 5m

CLIENT: VAAVU ATOLL COUNCIL

DESIGN AND CONSULTANCY:



KEY PLAN:

WARNING:

- This drawing shall not be used for construction unless certified.
- Contractor to verify all dimensions of existing works on site before commencing any work or preparing shop drawings.
- Do not scale drawings, use written dimensions only.
- This drawing is to be read in conjunction with the specifications and conditions of contract.
- This drawing and design is copyright and no portion may be reproduced without the permission of the Consultant

REVISIONS

NO	DESCRIPTION	DATE

PROJECT:

V. FELIDHOO ATOLL COUNCIL OFFICE

PHASE:

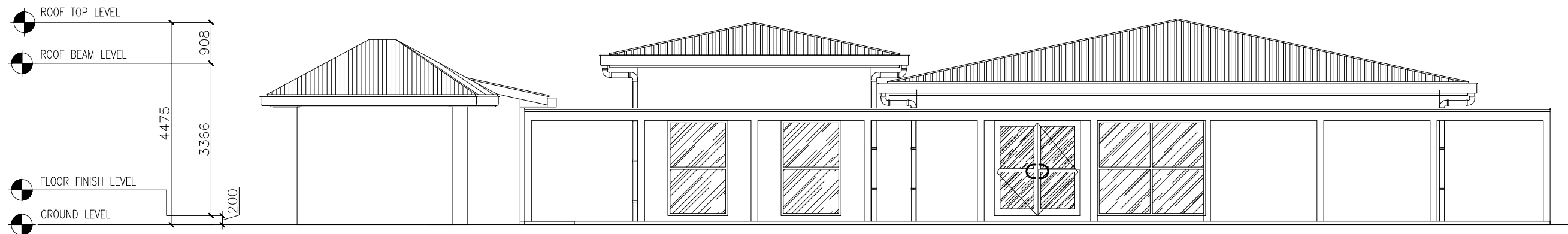
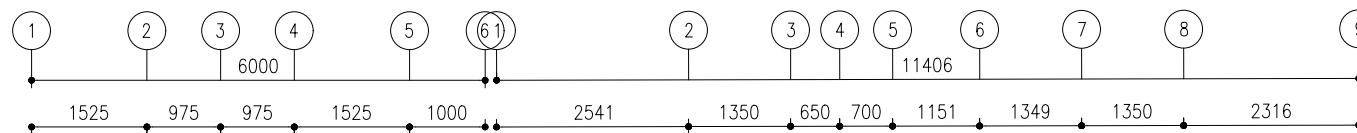
- CONCEPT DESIGN
- DESIGN DEVELOPMENT
- TENDER DOCUMENT
- FOR CONSTRUCTION
- AS BUILD DRAWINGS

DESIGNATION	NAME
DESIGN BY:	SIARCH PVT LTD
STR. ENGINEER	ALI NISHAM
ARCHITECT	MUTHO
CHECKED	MOHAMED SIRAJ
DRAWN BY:	MAASA ABDULLA

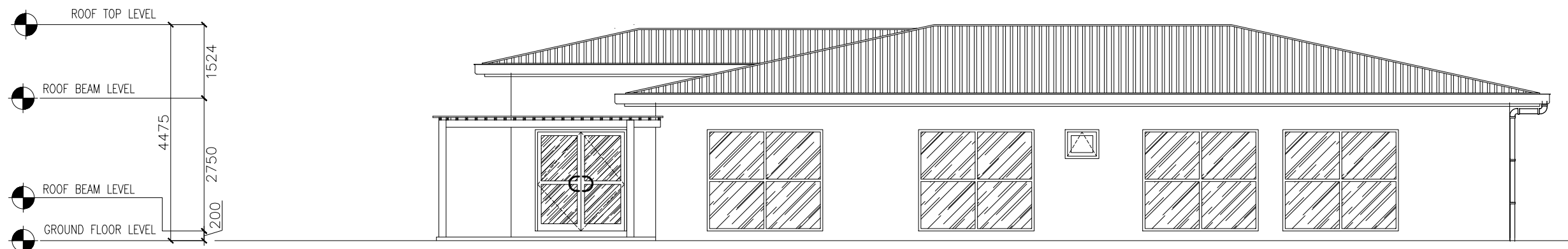
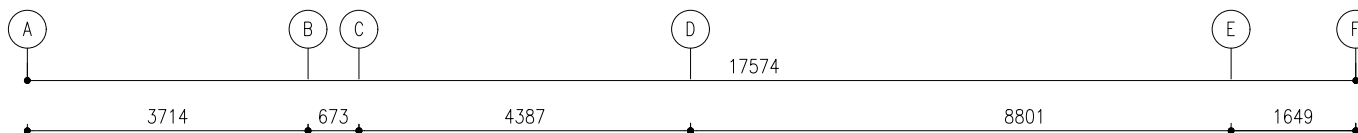
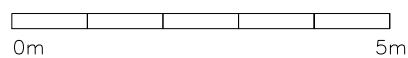
BUILDING: OFFICE

ELEVATION 1 & 2

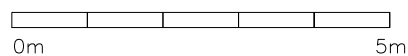
CODE	DATE	DWG. NO:
CA	2023.06.30	AR 06
FORMAT	A1 A2 A3	ISSUE A
SCALE	- - 1:100	ISSUE A
FILE NAME:	BAR-CA_AR06	



ELEVATION 1
SCALE 1:100



ELEVATION 2
SCALE 1:100



CLIENT:
VAUVU ATOLL
COUNCIL



KEY PLAN:

WARNING:

- This drawing shall not be used for construction unless certified.
- Contractor to verify all dimensions of existing works on site before commencing any work or preparing shop drawings.
- Do not scale drawings, use written dimensions only.
- This drawing is to be read in conjunction with the specifications and conditions of contract.
- This drawing and design is copyright and no portion may be reproduced without the permission of the Consultant

REVISIONS

NO	DESCRIPTION	DATE

PROJECT:

V. FELIDHOO ATOLL
COUNCIL OFFICE

PHASE:

- CONCEPT DESIGN
- DESIGN DEVELOPMENT
- TENDER DOCUMENT
- FOR CONSTRUCTION
- AS BUILD DRAWINGS

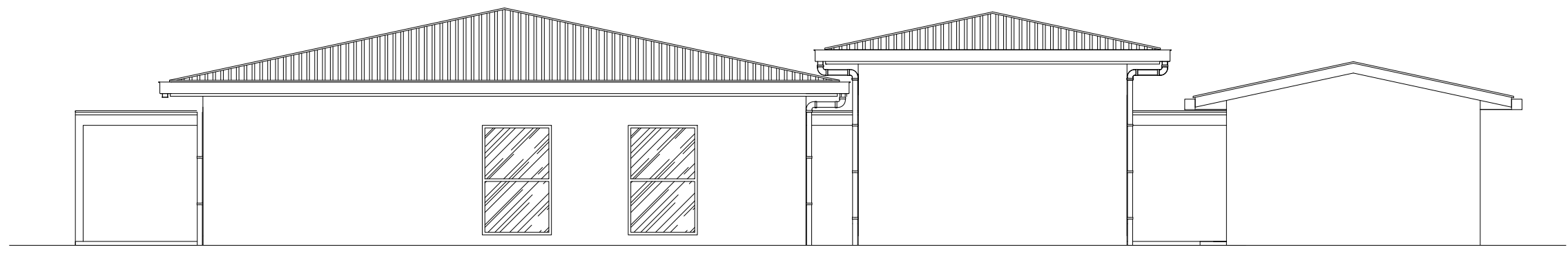
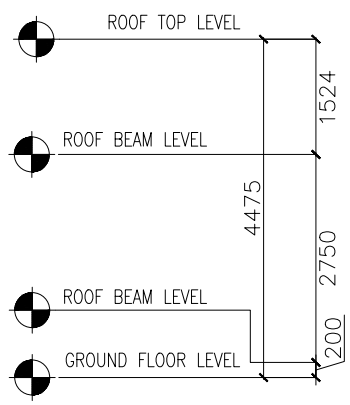
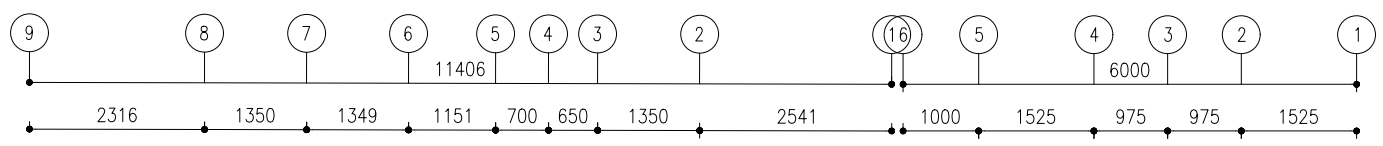
DESIGNATION	NAME
DESIGN BY:	SIARCH PVT LTD
STR. ENGINEER	ALI NISHAM
ARCHITECT	MUTHO
CHECKED	MOHAMED SIRAJ
DRAWN BY:	MAASA ABDULLA

BUILDING:

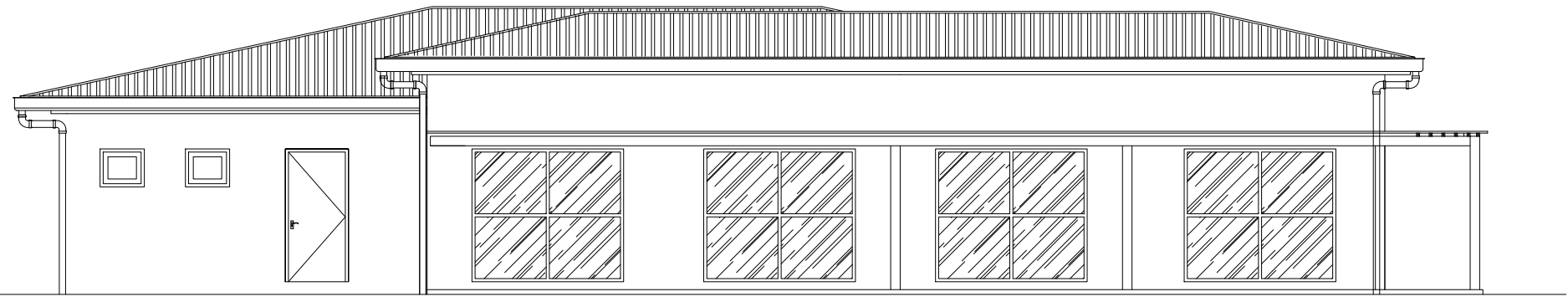
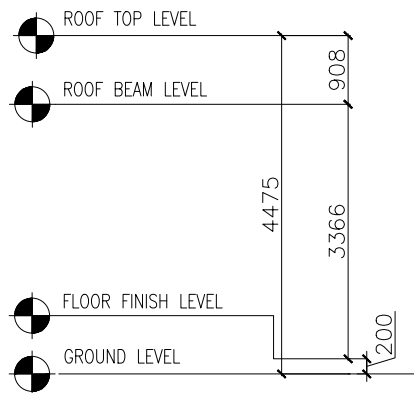
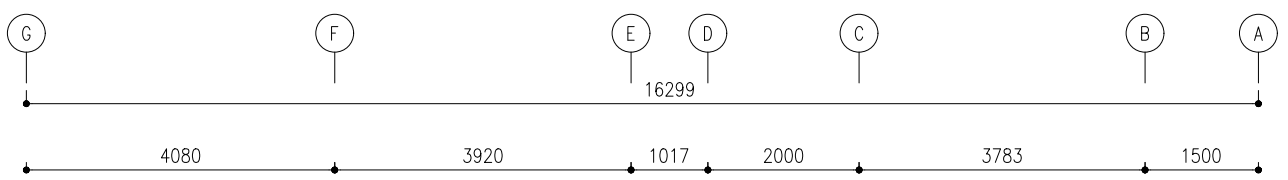
OFFICE

ELEVATION 3 & 4

CODE	DATE	DWG. NO:
CA	2023.06.30	AR 07
FORMAT	A1 A2 A3	ISSUE A
SCALE	- - 1:100	ISSUE A
FILE NAME:	BAR-CA_AR07	



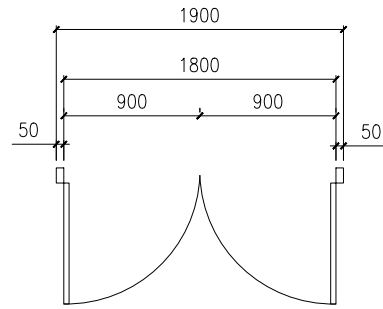
ELEVATION 3
SCALE 1:100



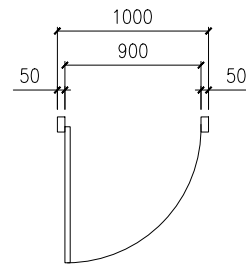
ELEVATION 4
SCALE 1:100

SYMBOL	
AREA	

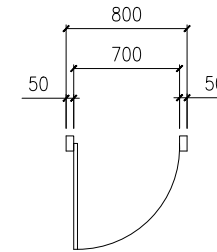
D1	TOTAL = 2 no.
	G.A. = 3.99 m ²



D2	TOTAL = 7 no.
	G.A. = 2.1 m ²



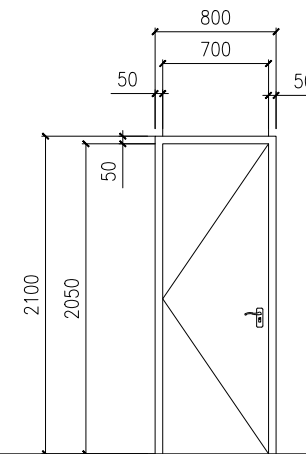
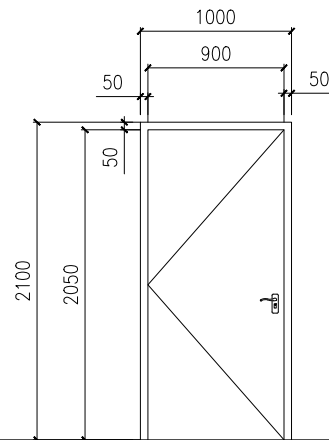
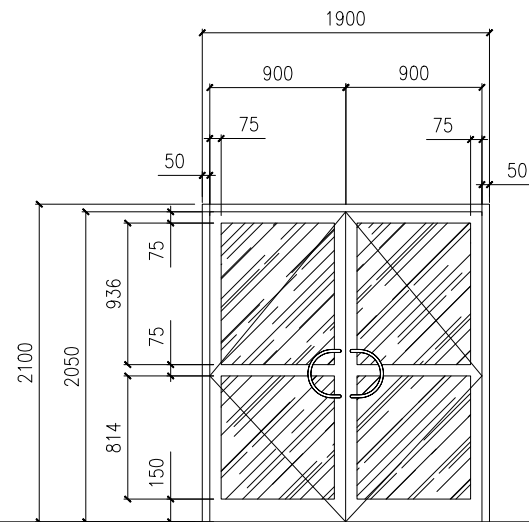
D3	TOTAL = 3 no.
	G.A. = 1.68 m ²



PLAN

ELEVATION

FFL LVL.



LOCATION	ENTRANCE
QUANTITY	02
DOOR FRAME	TIMBER, NYATOH OR EQUIVALENT
DOOR PANEL	TIMBER, NYATOH OR EQUIVALENT WITH 6MM TEMPERED GLASS
LOCK/HINGES	BRUSHED METAL (SILVER) x 6, LOCK x1
FINISHES	WHITE FINISH
REMARKS	-

LOCATION	OFFICE
QUANTITY	07
DOOR FRAME	TIMBER, NYATOH OR EQUIVALENT
DOOR PANEL	TIMBER, NYATOH OR EQUIVALENT WITH 6MM TEMPERED GLASS
LOCK/HINGES	BRUSHED METAL (SILVER) x 6, LOCK x1
FINISHES	WHITE FINISH
REMARKS	-

LOCATION	TOILETS
QUANTITY	03
DOOR FRAME	TIMBER, NYATOH OR EQUIVALENT
DOOR PANEL	TIMBER, NYATOH OR EQUIVALENT
LOCK/HINGES	BRUSHED METAL (SILVER) x 6, LOCK x1
FINISHES	WHITE FINISH
REMARKS	-

KEY PLAN:

WARNING:

- This drawing shall not be used for construction unless certified.
- Contractor to verify all dimensions of existing works on site before commencing any work or preparing shop drawings.
- Do not scale drawings, use written dimensions only.
- This drawing is to be read in conjunction with the specifications and conditions of contract.
- This drawing and design is copyright and no portion may be reproduced without the permission of the Consultant

REVISIONS

NO	DESCRIPTION	DATE

PROJECT:

V. FELIDHOO ATOLL COUNCIL OFFICE

PHASE:

- CONCEPT DESIGN
- DESIGN DEVELOPMENT
- TENDER DOCUMENT
- FOR CONSTRUCTION
- AS BUILD DRAWINGS

DESIGNATION	NAME
DESIGN BY:	SIARCH PVT LTD
STR. ENGINEER	ALI NISHAM
ARCHITECT	MUTHO
CHECKED	MOHAMED SIRAJ
DRAWN BY:	MAASA ABDULLA

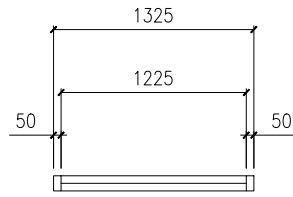
BUILDING:

OFFICE

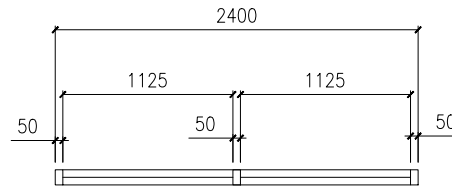
DOOR SCHEDULE-1

CODE	DATE	DWG. NO:
CA	2023.06.30	AR 08
FORMAT	A1 A2 A3	ISSUE A
SCALE	- - 1:50	FILE NAME: BAR-CA_AR08

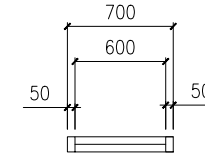
SYMBOL	W1	TOTAL = 4 no.
AREA		G.A. = 2.78 m ²



SYMBOL	W2	TOTAL = 15 no.
AREA		G.A. = 5.04 m ²



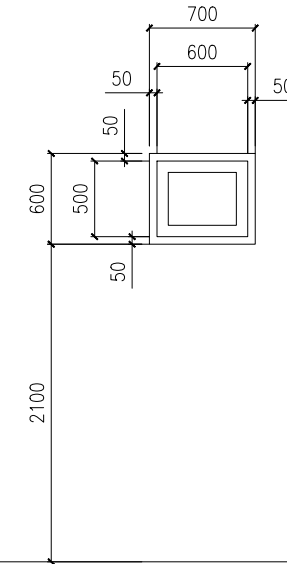
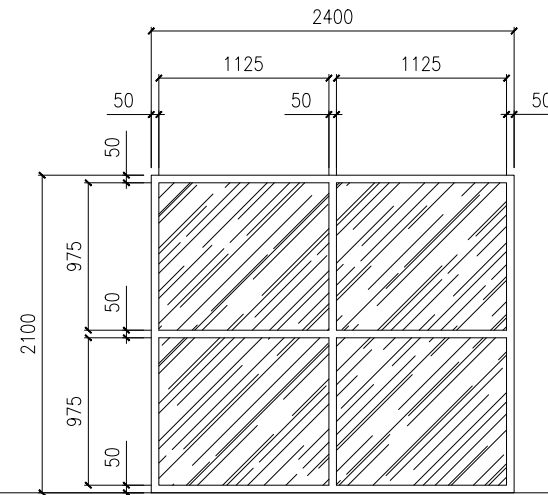
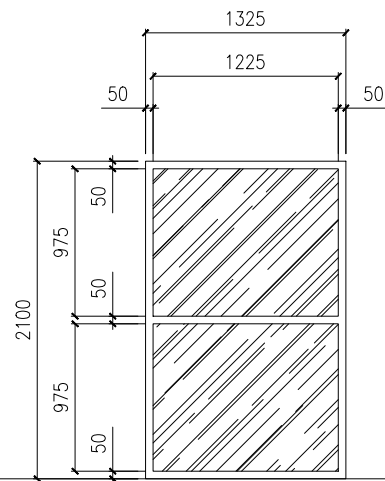
SYMBOL	W4	TOTAL = 03 no.
AREA		G.A. = 0.42 m ²



PLAN

ELEVATION

FFL LVL.



LOCATION	LOBBY
QUANTITY	04
DOOR FRAME	TIMBER, NYATOH OR EQUIVALENT
DOOR PANEL	TIMBER, NYATOH OR EQUIVALENT WITH 6MM TEMPERED GLASS
LOCK/HINGES	BRUSHED METAL (SILVER) x 6, LOCK x1
FINISHES	WHITE FINISH
REMARKS	-

LOCATION	OFFICE EXTERIOR & INTERIOR
QUANTITY	15
DOOR FRAME	TIMBER, NYATOH OR EQUIVALENT
DOOR PANEL	TIMBER, NYATOH OR EQUIVALENT WITH 6MM TEMPERED GLASS
LOCK/HINGES	BRUSHED METAL (SILVER) x 6, LOCK x1
FINISHES	WHITE FINISH
REMARKS	-

LOCATION	TOILET
QUANTITY	03
DOOR FRAME	TIMBER, NYATOH OR EQUIVALENT
DOOR PANEL	TIMBER, NYATOH OR EQUIVALENT WITH 6MM TEMPERED GLASS
LOCK/HINGES	BRUSHED METAL (SILVER) x 6, LOCK x1
FINISHES	WHITE FINISH
REMARKS	-

CLIENT: VAAVU ATOLL COUNCIL

DESIGN AND CONSULTANCY:

SIARCH PRIVATE LIMITED
 CONSULTANCY: MAASU MALE, 20075, MALDIVES
 EMAIL: INFO@SIARCH.DESIGN
 HTTP://WWW.SIARCH.DESIGN

KEY PLAN:

WARNING:

- This drawing shall not be used for construction unless certified.
- Contractor to verify all dimensions of existing works on site before commencing any work or preparing shop drawings.
- Do not scale drawings, use written dimensions only.
- This drawing is to be read in conjunction with the specifications and conditions of contract.
- This drawing and design is copyright and no portion may be reproduced without the permission of the Consultant

REVISIONS

NO	DESCRIPTION	DATE

PROJECT:

V. FELIDHOO ATOLL COUNCIL OFFICE

PHASE:

- CONCEPT DESIGN
- DESIGN DEVELOPMENT
- TENDER DOCUMENT
- FOR CONSTRUCTION
- AS BUILD DRAWINGS

DESIGNATION	NAME
DESIGN BY:	SIARCH PVT LTD
STR. ENGINEER	ALI NISHAM
ARCHITECT	MUTHO
CHECKED	MOHAMED SIRAJ
DRAWN BY:	MAASA ABDULLA

BUILDING:

OFFICE

DOOR SCHEDULE-2

CODE	DATE	DWG. NO:
CA	2023.06.30	AR 09
FORMAT	A1 A2 A3	ISSUE A
SCALE	- - 1:50	ISSUE A
FILE NAME:	BAR-CA_AR09	

KEY PLAN:

WARNING:

- This drawing shall not be used for construction unless certified.
- Contractor to verify all dimensions of existing works on site before commencing any work or preparing shop drawings.
- Do not scale drawings, use written dimensions only.
- This drawing is to be read in conjunction with the specifications and conditions of contract.
- This drawing and design is copyright and no portion may be reproduced without the permission of the Consultant

REVISIONS		
NO	DESCRIPTION	DATE

PROJECT: V. FELIDHOO ATOLL COUNCIL OFFICE

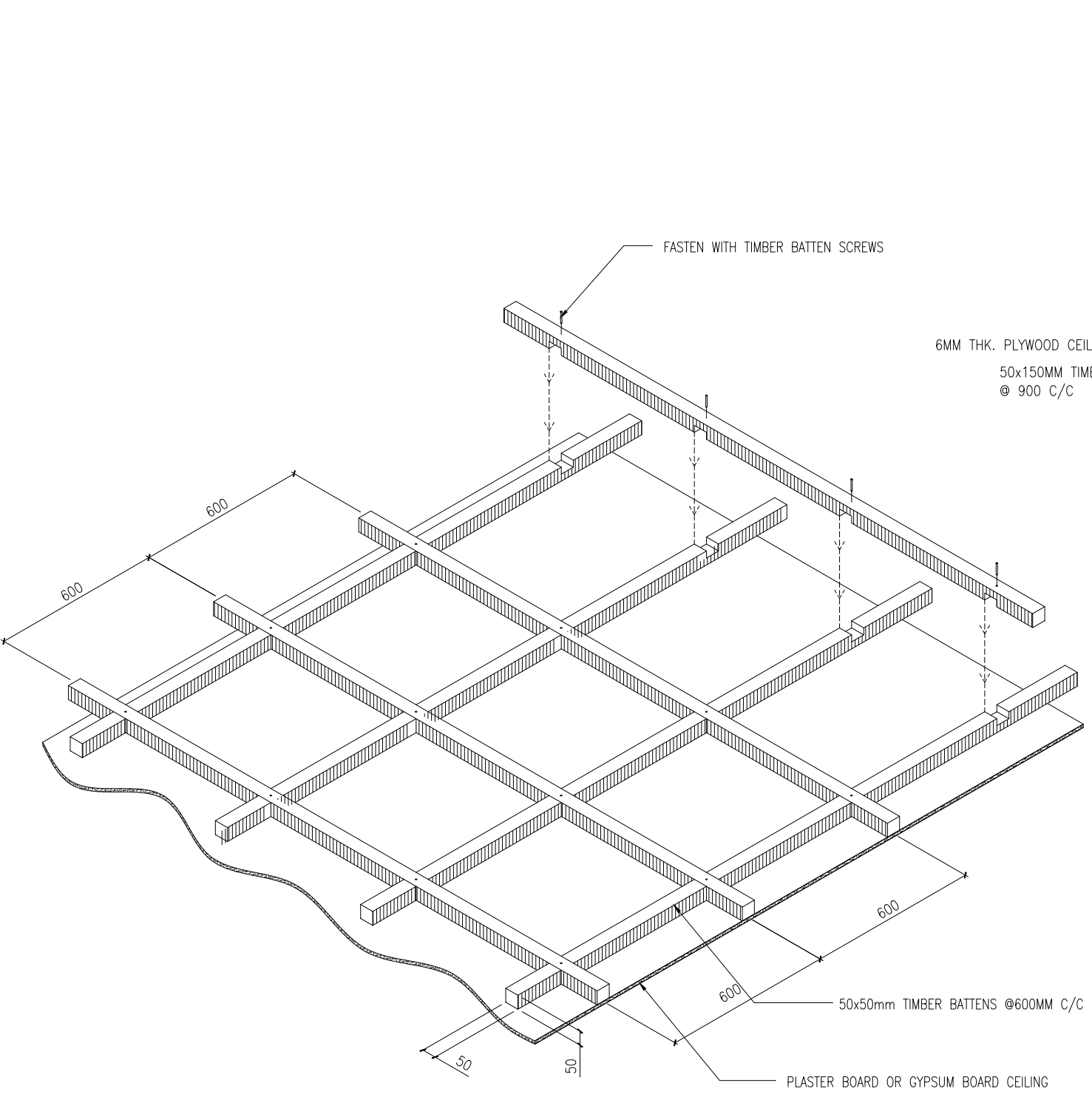
PHASE:
 CONCEPT DESIGN
 DESIGN DEVELOPMENT
 TENDER DOCUMENT
 FOR CONSTRUCTION
 AS BUILD DRAWINGS

DESIGNATION	NAME
DESIGN BY:	SIARCH PVT LTD
STR. ENGINEER	ALI NISHAM
ARCHITECT	MUTHO
CHECKED	MOHAMED SIRAJ
DRAWN BY:	MAASA ABDULLA

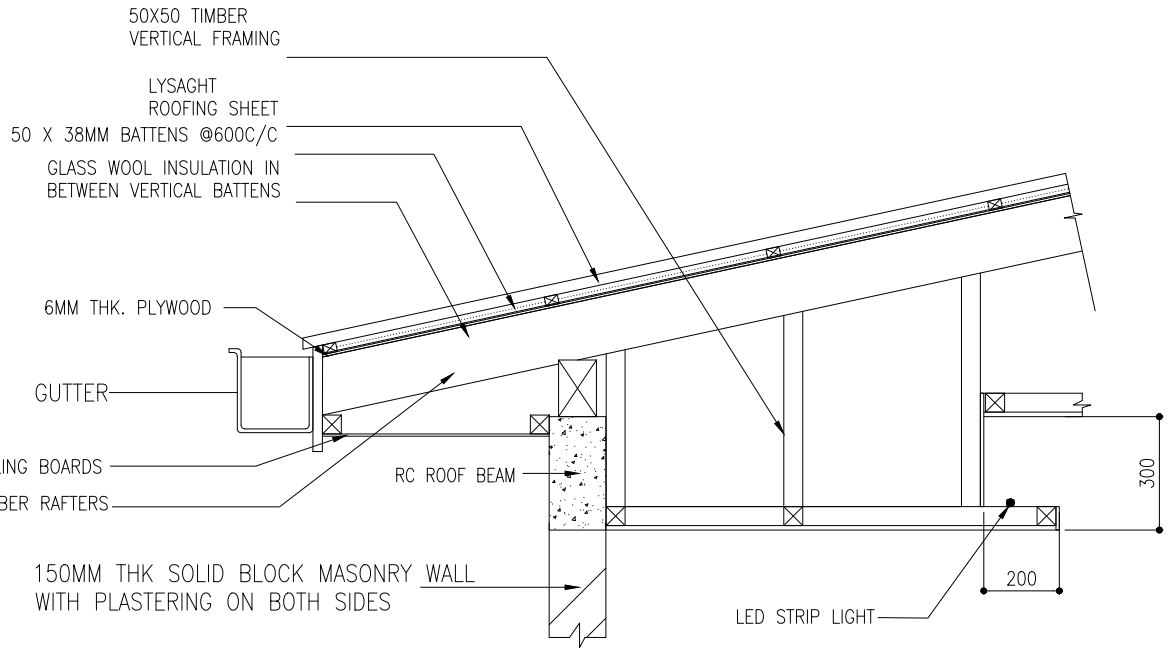
BUILDING: OFFICE

CEILING / ROOF DETAILS

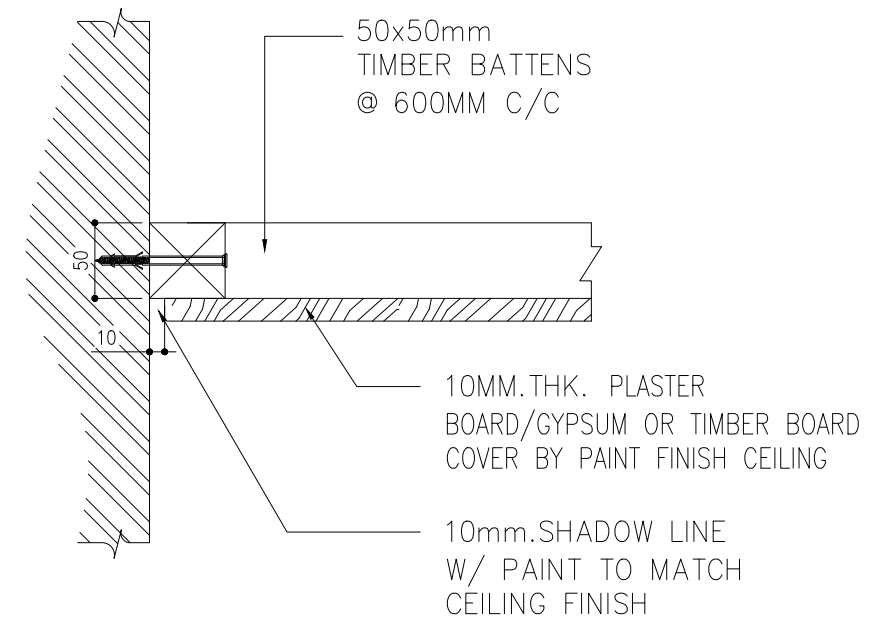
CODE	DATE	DWG. NO:
CA	2023.06.30	AR 10
FORMAT	A1 A2 A3	ISSUE A
SCALE	- - 1/20	ISSUE A
FILE NAME:	BAR-CA_AR10	



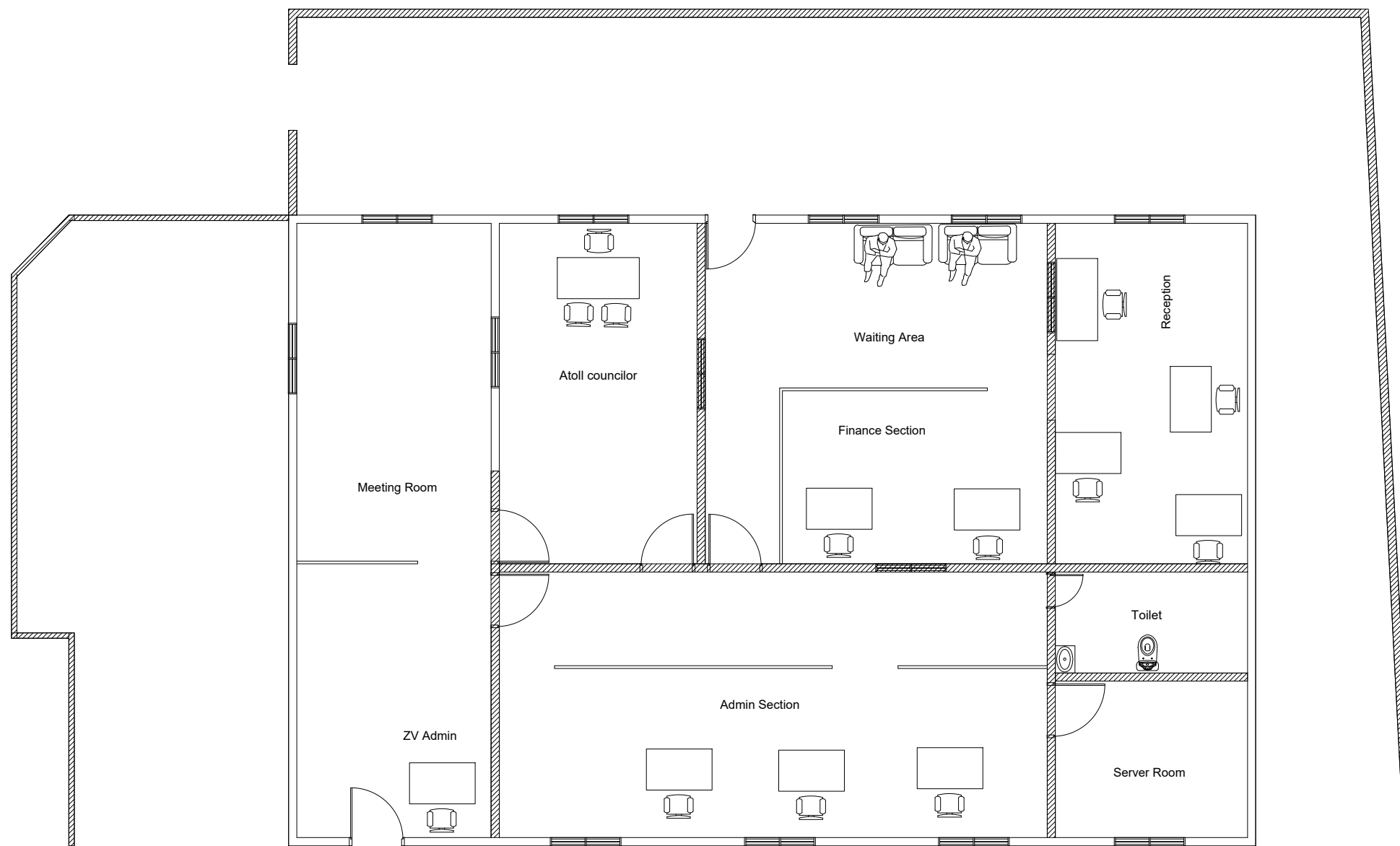
TYPICAL ROOM CEILING ISOMETRIC VIEW
 SCALE 1:20



DETAIL-A
 SCALE 1:20

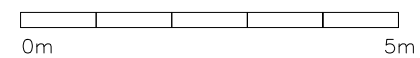


TYPICAL CEILING DETAIL
 SCALE 1:5



DEMOLITION PLAN

SCALE 1:100



WALLS TO BE DEMOLISHED

CLIENT: VAAVU ATOLL COUNCIL

DESIGN AND CONSULTANCY:



KEY PLAN:

- WARNING:
- This drawing shall not be used for construction unless certified.
 - Contractor to verify all dimensions of existing works on site before commencing any work or preparing shop drawings.
 - Do not scale drawings, use written dimensions only.
 - This drawing is to be read in conjunction with the specifications and conditions of contract.
 - This drawing and design is copyright and no portion may be reproduced without the permission of the Consultant

REVISIONS		
NO	DESCRIPTION	DATE

PROJECT: V. FELIDHOO ATOLL COUNCIL OFFICE

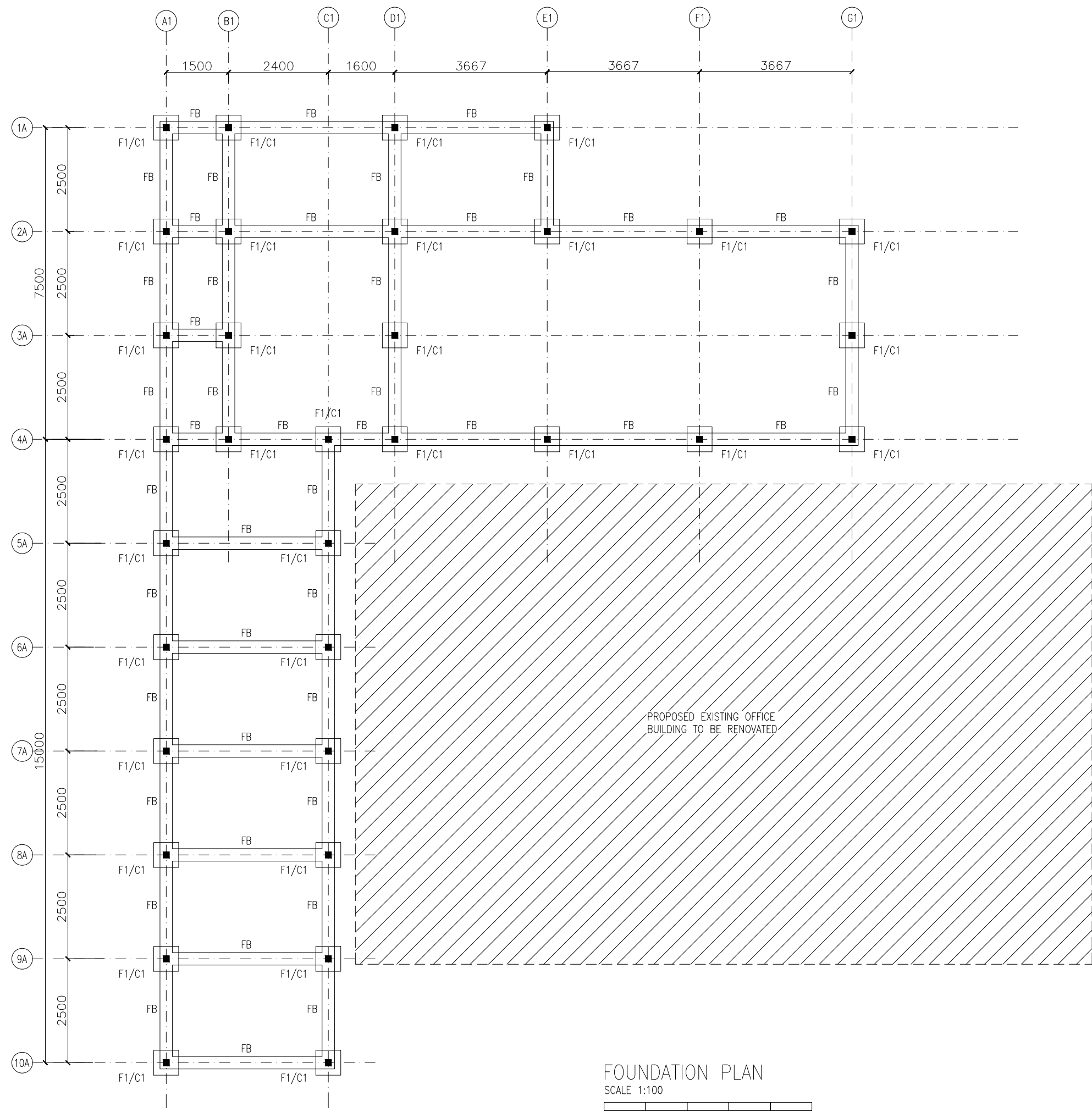
- PHASE:
- CONCEPT DESIGN
 - DESIGN DEVELOPMENT
 - TENDER DOCUMENT
 - FOR CONSTRUCTION
 - AS BUILD DRAWINGS

DESIGNATION	NAME
DESIGN BY:	SIARCH PVT LTD
STR. ENGINEER	ALI NISHAM
ARCHITECT	MUTHO
CHECKED	MOHAMED SIRAJ
DRAWN BY:	MAASA ABDULLA

BUILDING: OFFICE

DEMOLISHING WALL PLAN

CODE	DATE	DWG. NO:
CA	2023.06.30	ST 00
FORMAT	A1 A2 A3	ISSUE A
SCALE	- 1:100	FILE NAME: BAR-CA_ST01



FOUNDATION PLAN
SCALE 1:100

CLIENT: VAAVU ATOLL COUNCIL

DESIGN AND CONSULTANCY:



KEY PLAN:

- WARNING:
- This drawing shall not be used for construction unless certified.
 - Contractor to verify all dimensions of existing works on site before commencing any work or preparing shop drawings.
 - Do not scale drawings, use written dimensions only.
 - This drawing is to be read in conjunction with the specifications and conditions of contract.
 - This drawing and design is copyright and no portion may be reproduced without the permission of the Consultant

REVISIONS		
NO	DESCRIPTION	DATE

PROJECT:
V. FELIDHOO ATOLL COUNCIL OFFICE

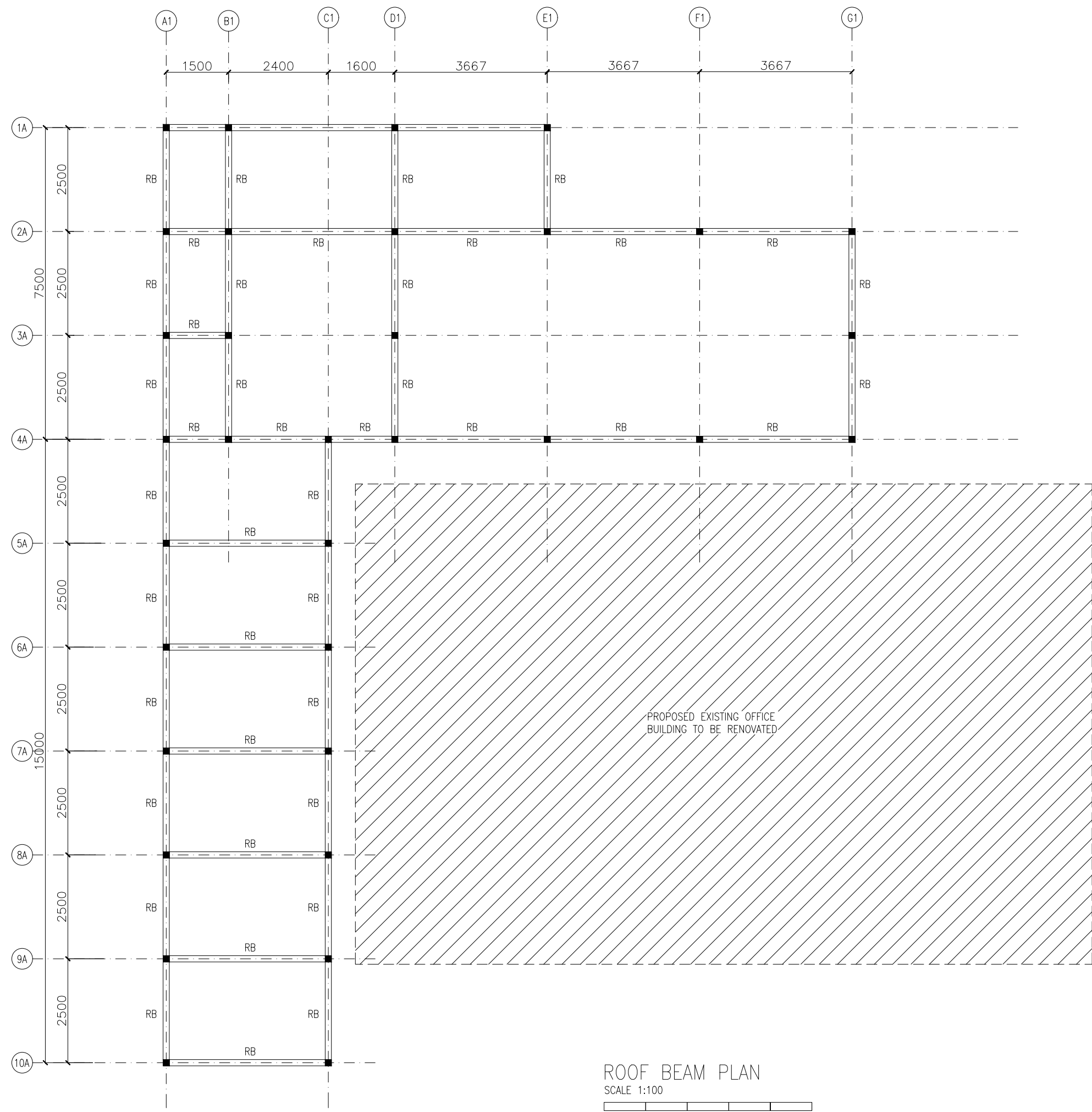
- PHASE:
- CONCEPT DESIGN
 - DESIGN DEVELOPMENT
 - TENDER DOCUMENT
 - FOR CONSTRUCTION
 - AS BUILD DRAWINGS

DESIGNATION	NAME
DESIGN BY:	SIARCH PVT LTD
STR. ENGINEER	ALI NISHAM
ARCHITECT	MUTHO
CHECKED	MOHAMED SIRAJ
DRAWN BY:	MAASA ABDULLA

BUILDING: OFFICE

FOUNDATION PLAN

CODE	DATE	DWG. NO:
CA	2023.06.30	ST 01
FORMAT	A1 A2 A3	ISSUE A
SCALE	- - 1:100	FILE NAME: BAR-CA_ST02



ROOF BEAM PLAN
SCALE 1:100

150mm THK REINFORCED CONCRETE SLAB
REINFORCEMENT - T10@150C/C BW

CLIENT: VAAVU ATOLL COUNCIL
DESIGN AND CONSULTANCY: **SIARCH** PRIVATE LIMITED
CONSULTANCY ADDRESS: MALDIVES
EMAIL: INFO@SIARCH.DESIGN
HTTP://WWW.SIARCH.DESIGN

KEY PLAN:

WARNING:

- This drawing shall not be used for construction unless certified.
- Contractor to verify all dimensions of existing works on site before commencing any work or preparing shop drawings.
- Do not scale drawings, use written dimensions only.
- This drawing is to be read in conjunction with the specifications and conditions of contract.
- This drawing and design is copyright and no portion may be reproduced without the permission of the Consultant

REVISIONS		
NO	DESCRIPTION	DATE

PROJECT:
V. FELIDHOO ATOLL COUNCIL OFFICE

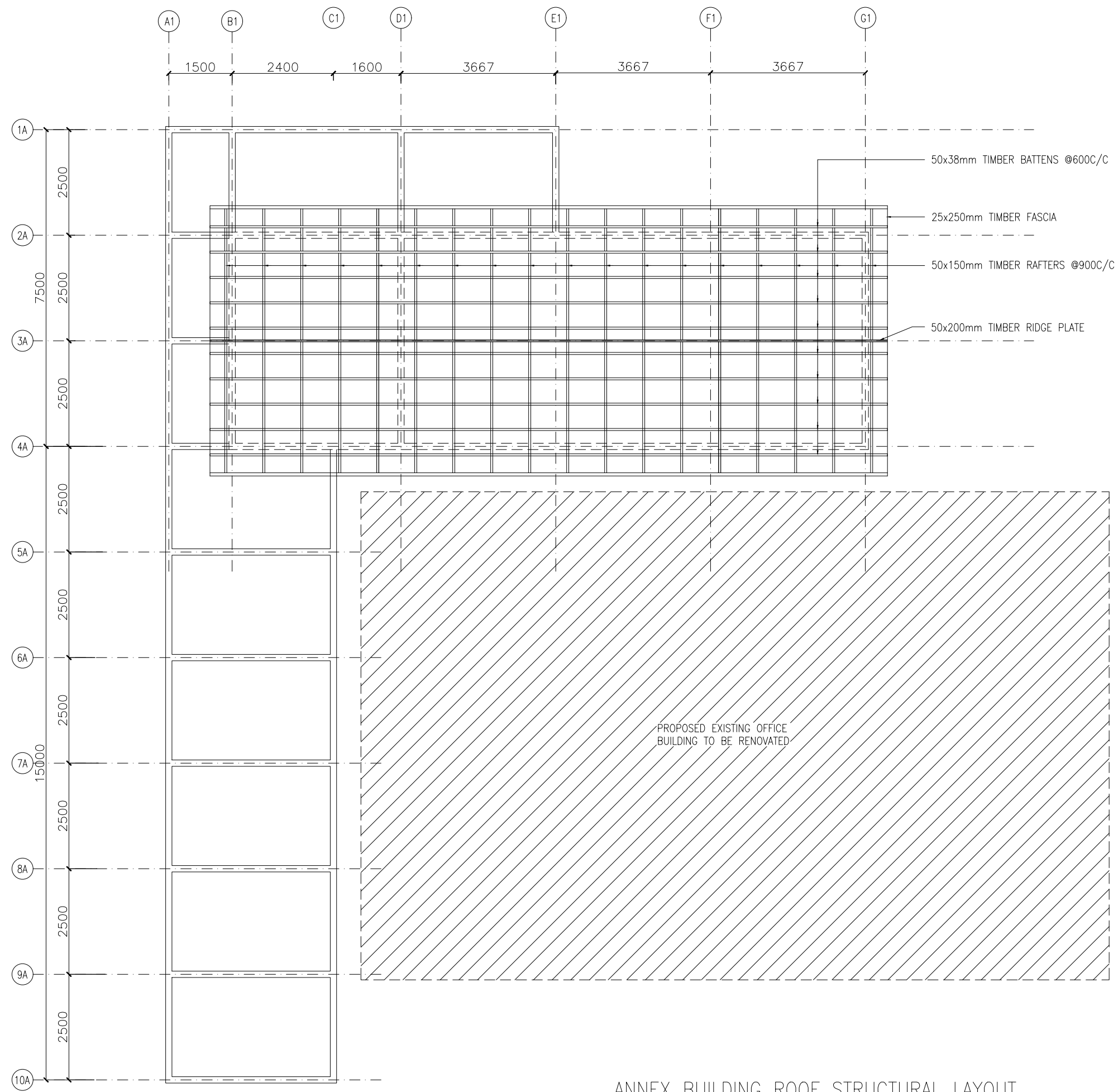
PHASE:
 CONCEPT DESIGN
 DESIGN DEVELOPMENT
 TENDER DOCUMENT
 FOR CONSTRUCTION
 AS BUILD DRAWINGS

DESIGNATION	NAME
DESIGN BY:	SIARCH PVT LTD
STR. ENGINEER	ALI NISHAM
ARCHITECT	MUTHO
CHECKED	MOHAMED SIRAJ
DRAWN BY:	MAASA ABDULLA

BUILDING: OFFICE

ROOF BEAM PLAN

CODE	DATE	DWG. NO:
CA	2023.06.30	ST 02
FORMAT	A1 A2 A3	ISSUE A
SCALE	- - 1:100	FILE NAME: BAR-CA_ST03



ANNEX BUILDING ROOF STRUCTURAL LAYOUT
 SCALE 1:100
 0m 5m

CLIENT: VAAVU ATOLL COUNCIL

DESIGN AND CONSULTANCY:

SIARCH
 PRIVATE LIMITED
 CONSULTANCY: MAASU MALE, 20075, MALDIVES
 EMAIL: INFO@SIARCH.DESIGN
 HTTP://WWW.SIARCH.DESIGN

KEY PLAN:

WARNING:

- This drawing shall not be used for construction unless certified.
- Contractor to verify all dimensions of existing works on site before commencing any work or preparing shop drawings.
- Do not scale drawings, use written dimensions only.
- This drawing is to be read in conjunction with the specifications and conditions of contract.
- This drawing and design is copyright and no portion may be reproduced without the permission of the Consultant

REVISIONS		
NO	DESCRIPTION	DATE

PROJECT:

V. FELIDHOO ATOLL COUNCIL OFFICE

PHASE:

- CONCEPT DESIGN
- DESIGN DEVELOPMENT
- TENDER DOCUMENT
- FOR CONSTRUCTION
- AS BUILD DRAWINGS

DESIGNATION	NAME
DESIGN BY:	SIARCH PVT LTD
STR. ENGINEER	ALI NISHAM
ARCHITECT	MUTHO
CHECKED	MOHAMED SIRAJ
DRAWN BY:	MAASA ABDULLA

BUILDING:

OFFICE

ROOF STRUTURAL PLAN

CODE	DATE	DWG. NO:
CA	2023.06.30	ST 03
FORMAT	A1 A2 A3	ISSUE A
SCALE	- 1:100	ISSUE A
FILE NAME:	BAR-CA_ST04	

CLIENT: VAAVU ATOLL COUNCIL



KEY PLAN:

WARNING:

- This drawing shall not be used for construction unless certified.
- Contractor to verify all dimensions of existing works on site before commencing any work or preparing shop drawings.
- Do not scale drawings, use written dimensions only.
- This drawing is to be read in conjunction with the specifications and conditions of contract.
- This drawing and design is copyright and no portion may be reproduced without the permission of the Consultant

REVISIONS		
NO	DESCRIPTION	DATE

PROJECT: V. FELIDHOO ATOLL COUNCIL OFFICE

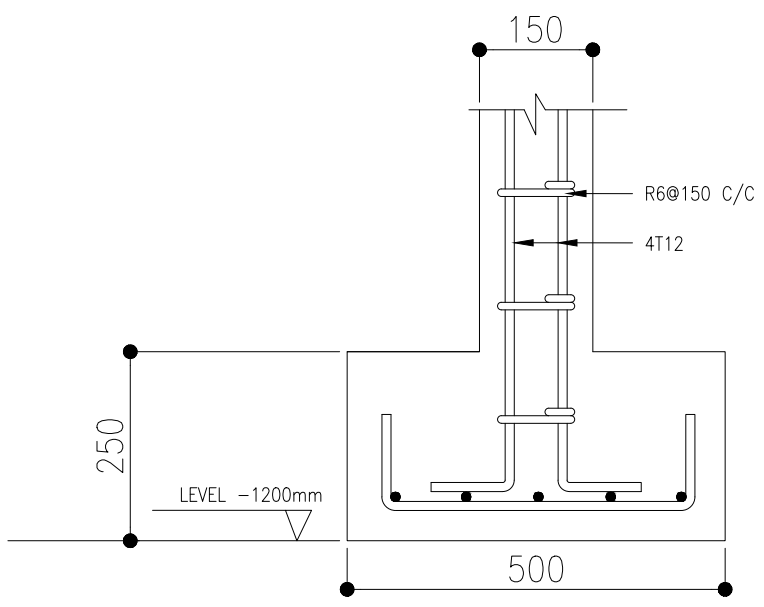
- PHASE:
- CONCEPT DESIGN
 - DESIGN DEVELOPMENT
 - TENDER DOCUMENT
 - FOR CONSTRUCTION
 - AS BUILD DRAWINGS

DESIGNATION	NAME
DESIGN BY:	SIARCH PVT LTD
STR. ENGINEER	ALI NISHAM
ARCHITECT	MUTHO
CHECKED	MOHAMED SIRAJ
DRAWN BY:	MAASA ABDULLA

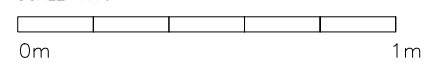
BUILDING: OFFICE

STRUCTURAL DETAILS

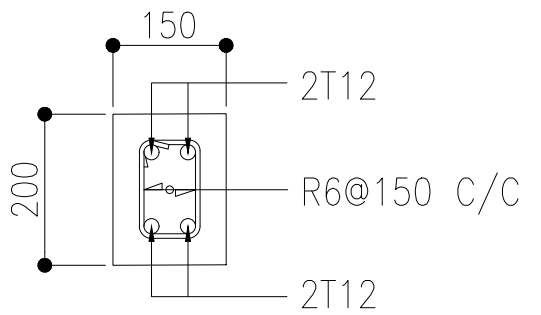
CODE	DATE	DWG. NO:
CA	2023.06.30	ST 04
FORMAT	A1 A2 A3	ISSUE A
SCALE	- - 1:10	ISSUE A
FILE NAME:	BAR-CA_ST05	



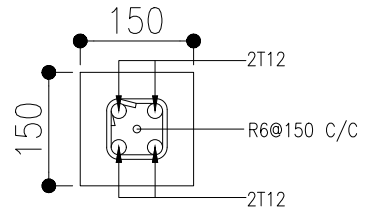
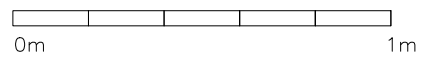
TYPICAL FOUNDATION FOOTING DETAIL
SCALE 1:10



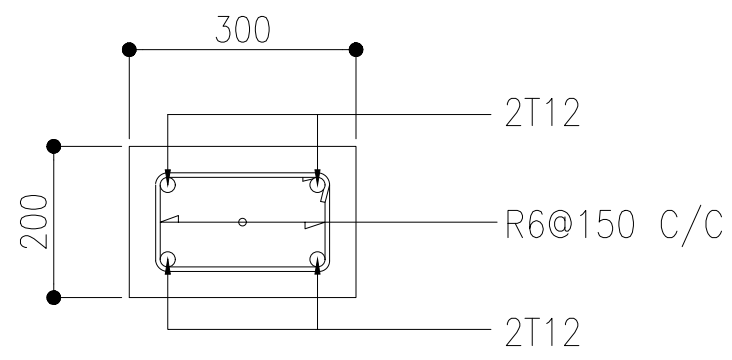
F1 = 500mmx500mmx250mm, T12@150 C/C BW(B)
C1 = 150x150mm, 4T12, R6-150 C/C



ROOF BEAM DETAIL
SCALE 1:10



C1 - COLUMN DETAIL
SCALE 1:10



FOUNDATION BEAM DETAIL
SCALE 1:10

