

PROPOSED V. FELIDHOO ATOLL
COUNCIL OFFICE VISITOR'S TOILET
ARCHITECTURAL AND STRUCTURAL DRAWINGS

2023.08.08

SIARCH
PRIVATE LIMITED
LONUZIYAARAY MAGU, MALE', 20075, MALDIVES
EMAIL: INFO@SIARCH.DESIGN
HTTP://WWW.SIARCH.DESIGN

V. FELIDHOO COUNCIL VISITORS TOILET
DRAWING INDEX


PROJECT CODE: RSD_212
 CLIENT: V. FELIDHOO ATOLL COUNCIL
 BUILDING: COUNCIL OFFICE TOILET BUILDING
 BUILDING CODE: CL-TOI
 DWG FILE NAME: CL - TOI - COUNCIL TOILET

DRAWING TITLE

BLDN.CODE.	DISC.	NO.	PDF FILE NAME	PRIMARY	SECONDARY	SCALE	FORMAT	DATE
CL-TOI	AR	00	BAR-CA_ AR00	DRAWING REGISTER		-	A3	2023.06.30
CL-TOI	AR	01	BAR-CA_ AR01	FLOOR PLAN AND ROOF PLAN		1:50	A3	2023.06.30
CL-TOI	AR	02	BAR-CA_ AR02	SECTION X-X AND ELEVATION E1,E2,E3		1:50	A3	2023.06.30
CL-TOI	AR	03	BAR-CA_ AR03	DOOR WINDOW SCHEDULE AND CEILING DETAIL		1:50/1:20/1:5	A3	2023.06.30
CL-TOI	ST	01	BAR-CA_ ST01	FOUNDATION PLAN, ROOF BEAM PLAN AND DETAILS		1:50/1:20	A3	2023.06.30
CL-TOI	ST	02	BAR-CA_ ST02	ROOF STRUCTURAL LAYOUT		1:50	A3	2023.06.30

CLIENT: VAAVU ATOLL COUNCIL

DESIGN AND CONSULTANCY:



SIARCH
PRIVATE LIMITED
CONSULTANCY: MAADU MALE, 20075, MALDIVES
EMAIL: INFO@SIARCH.DESIGN
HTTP://WWW.SIARCH.DESIGN

KEY PLAN:

WARNING:

- This drawing shall not be used for construction unless certified.
- Contractor to verify all dimensions of existing works on site before commencing any work or preparing shop drawings.
- Do not scale drawings, use written dimensions only.
- This drawing is to be read in conjunction with the specifications and conditions of contract.
- This drawing and design is copyright and no portion may be reproduced without the permission of the Consultant

REVISIONS

NO	DESCRIPTION	DATE

PROJECT:

BAARAH HERITAGE SITE

PHASE:

- CONCEPT DESIGN
- DESIGN DEVELOPMENT
- TENDER DOCUMENT
- FOR CONSTRUCTION
- AS BUILD DRAWINGS

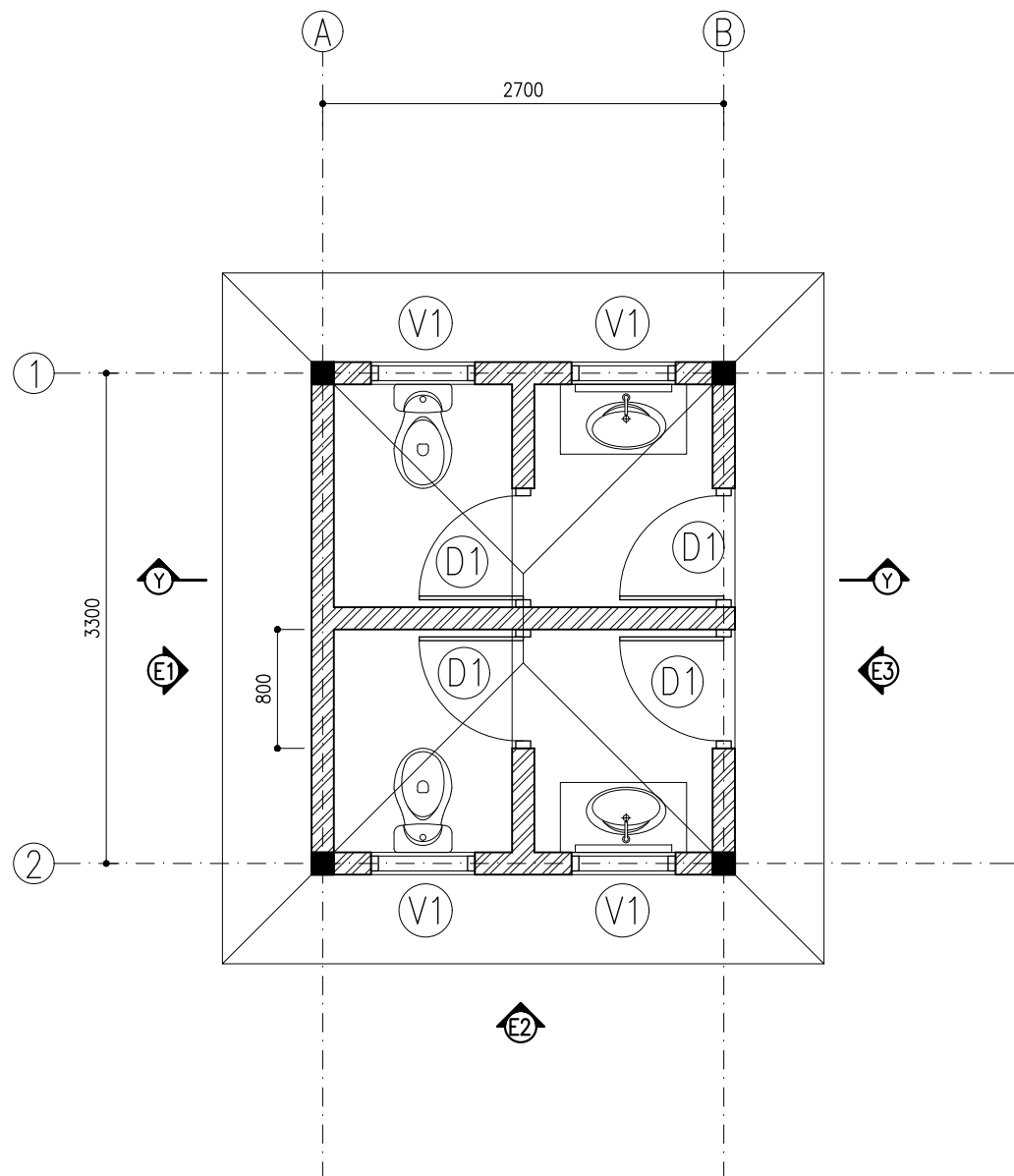
DESIGNATION	NAME
DESIGN BY:	SIARCH PVT LTD
STR. ENGINEER	ALI NISHAM
ARCHITECT	MUTHO
CHECKED	MOHAMED SIRAJ
DRAWN BY:	SASU

BUILDING:

VISITOR'S TOILET

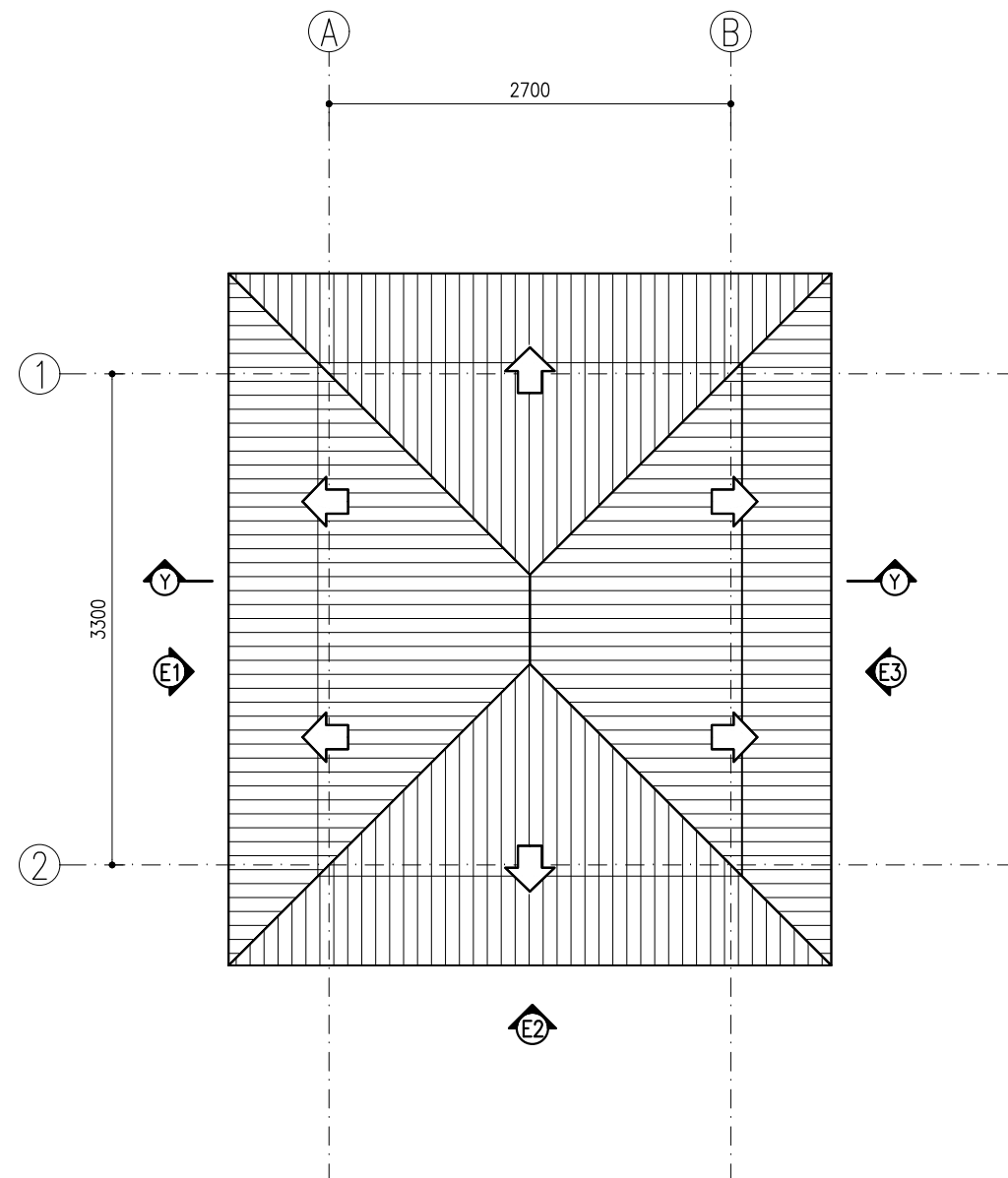
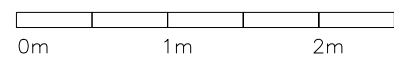
DRAWING REGISTER

CODE	DATE	DWG. NO:
REP	2023.08.08	AR 00
FORMAT	A1 A2 A3	ISSUE A
SCALE	- - nts	FILE NAME: BAR-CA_ AR00



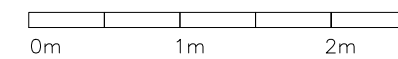
FLOOR PLAN

SCALE 1:50



ROOF PLAN

SCALE 1:50



CLIENT:
VAAVU ATOLL
COUNCIL

DESIGN AND CONSULTANCY:

KEY PLAN:

WARNING:

- This drawing shall not be used for construction unless certified.
- Contractor to verify all dimensions of existing works on site before commencing any work or preparing shop drawings.
- Do not scale drawings, use written dimensions only.
- This drawing is to be read in conjunction with the specifications and conditions of contract.
- This drawing and design is copyright and no portion may be reproduced without the permission of the Consultant

REVISIONS		
NO	DESCRIPTION	DATE

PROJECT:

V. FELIDHOO ATOLL
COUNCIL OFFICE

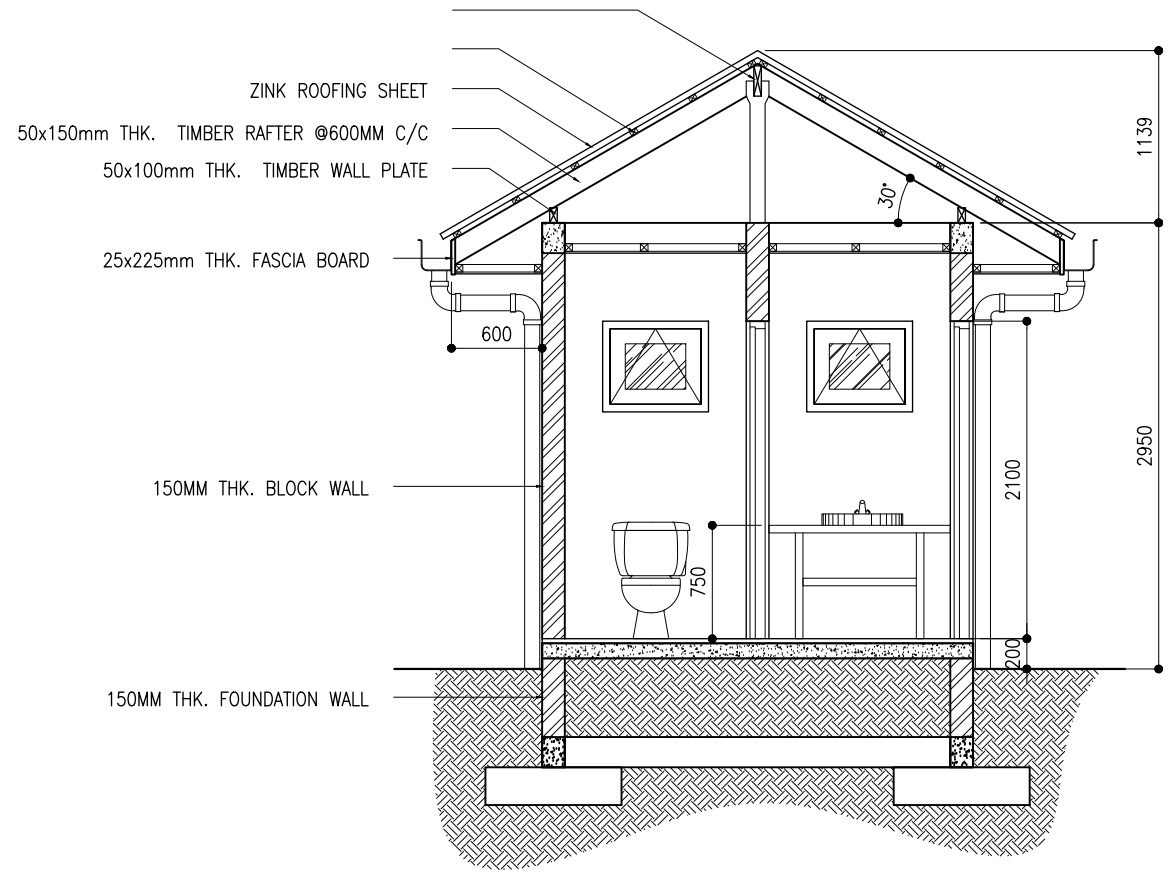
- PHASE:
- CONCEPT DESIGN
 - DESIGN DEVELOPMENT
 - TENDER DOCUMENT
 - FOR CONSTRUCTION
 - AS BUILD DRAWINGS

DESIGNATION	NAME
DESIGN BY:	SIARCH PVT LTD
STR. ENGINEER	ALI NISHAM
ARCHITECT	MUTHO
CHECKED	MOHAMED SIRAJ
DRAWN BY:	SASU

BUILDING:
VISITOR'S TOILET

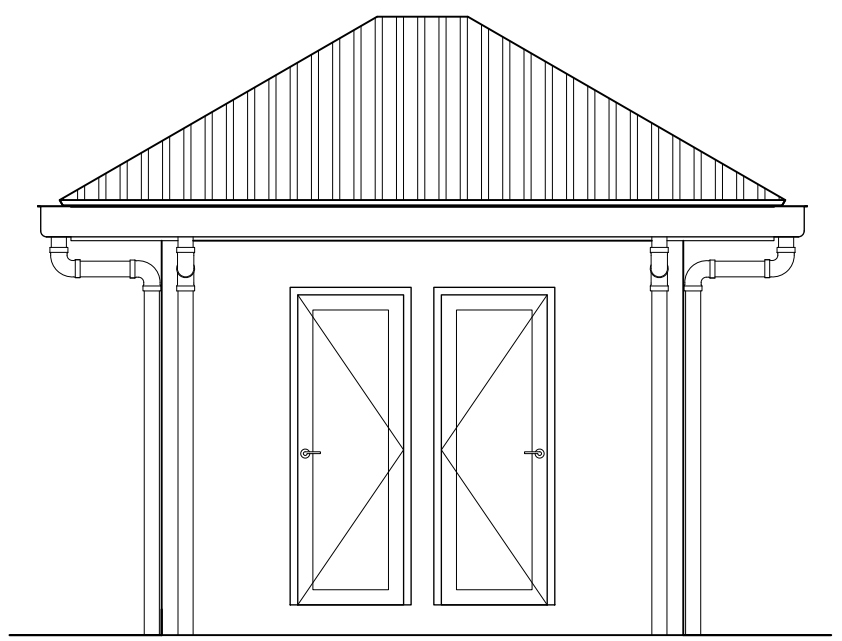
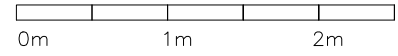
GROUND FLOOR AND
ROOF PLAN

CODE	DATE	DWG. NO:
CA	2023.08.08	AR 01
FORMAT	A1 A2 A3	
SCALE	- - 1:50	ISSUE A
FILE NAME:	BAR-CA_AR01	



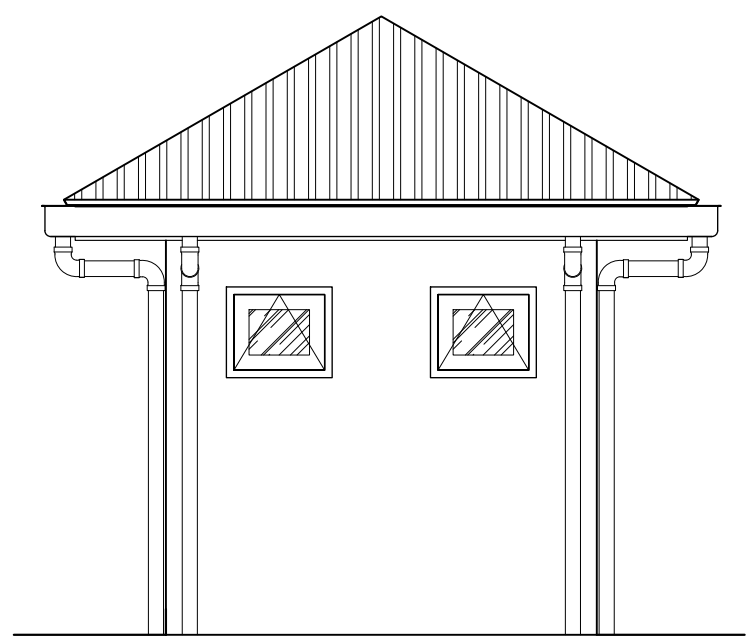
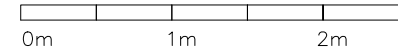
SECTION X-X

SCALE 1:50



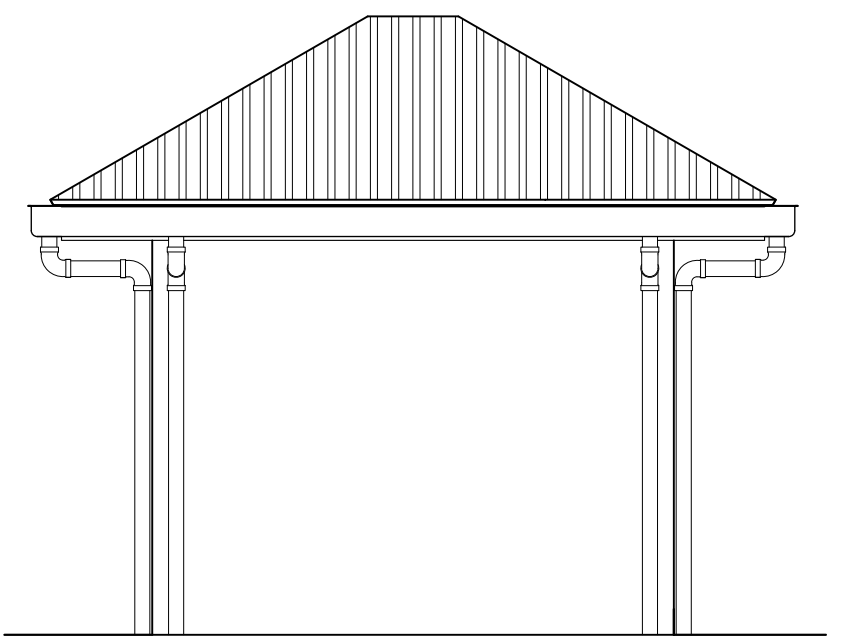
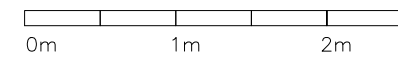
ELEVATION - E1

SCALE 1:50



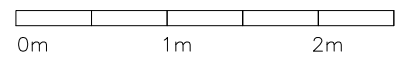
ELEVATION - E2

SCALE 1:50



ELEVATION - E3

SCALE 1:50



CLIENT: VAAVU ATOLL COUNCIL

DESIGN AND CONSULTANCY:



KEY PLAN:

- WARNING:
- This drawing shall not be used for construction unless certified.
 - Contractor to verify all dimensions of existing works on site before commencing any work or preparing shop drawings.
 - Do not scale drawings, use written dimensions only.
 - This drawing is to be read in conjunction with the specifications and conditions of contract.
 - This drawing and design is copyright and no portion may be reproduced without the permission of the Consultant

REVISIONS

NO	DESCRIPTION	DATE

PROJECT:

V. FELIDHOO ATOLL COUNCIL OFFICE

- PHASE:
- CONCEPT DESIGN
 - DESIGN DEVELOPMENT
 - TENDER DOCUMENT
 - FOR CONSTRUCTION
 - AS BUILD DRAWINGS

DESIGNATION	NAME
DESIGN BY:	SIARCH PVT LTD
STR. ENGINEER	ALI NISHAM
ARCHITECT	MUTHO
CHECKED	MOHAMED SIRAJ
DRAWN BY:	SASU

BUILDING: VISITOR'S TOILET

SECTION X-X AND ELEVATION E1,E2,E3

CODE	DATE	DWG. NO:
CA	2023.08.08	AR 02
FORMAT	A1 A2 A3	ISSUE A
SCALE	- - 1:50	ISSUE A
FILE NAME:	BAR-CA_AR02	

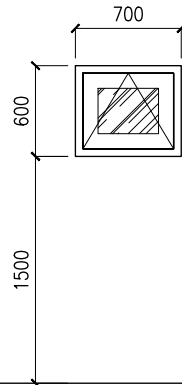
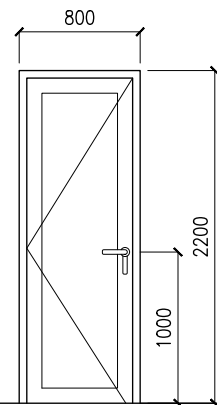
SYMBOL
AREA

D1	TOTAL = 4 nos.
TOILET	G.A. = 1.76m ²

W1	TOTAL = 4 nos.
TOILET	G.A. = 0.42m ²

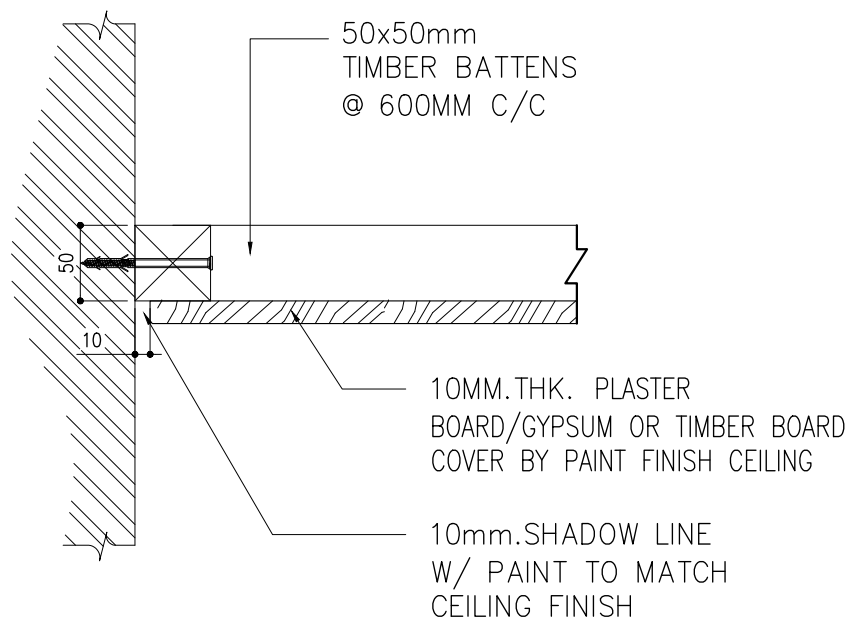
ELEVATION

FLR LVL
↓



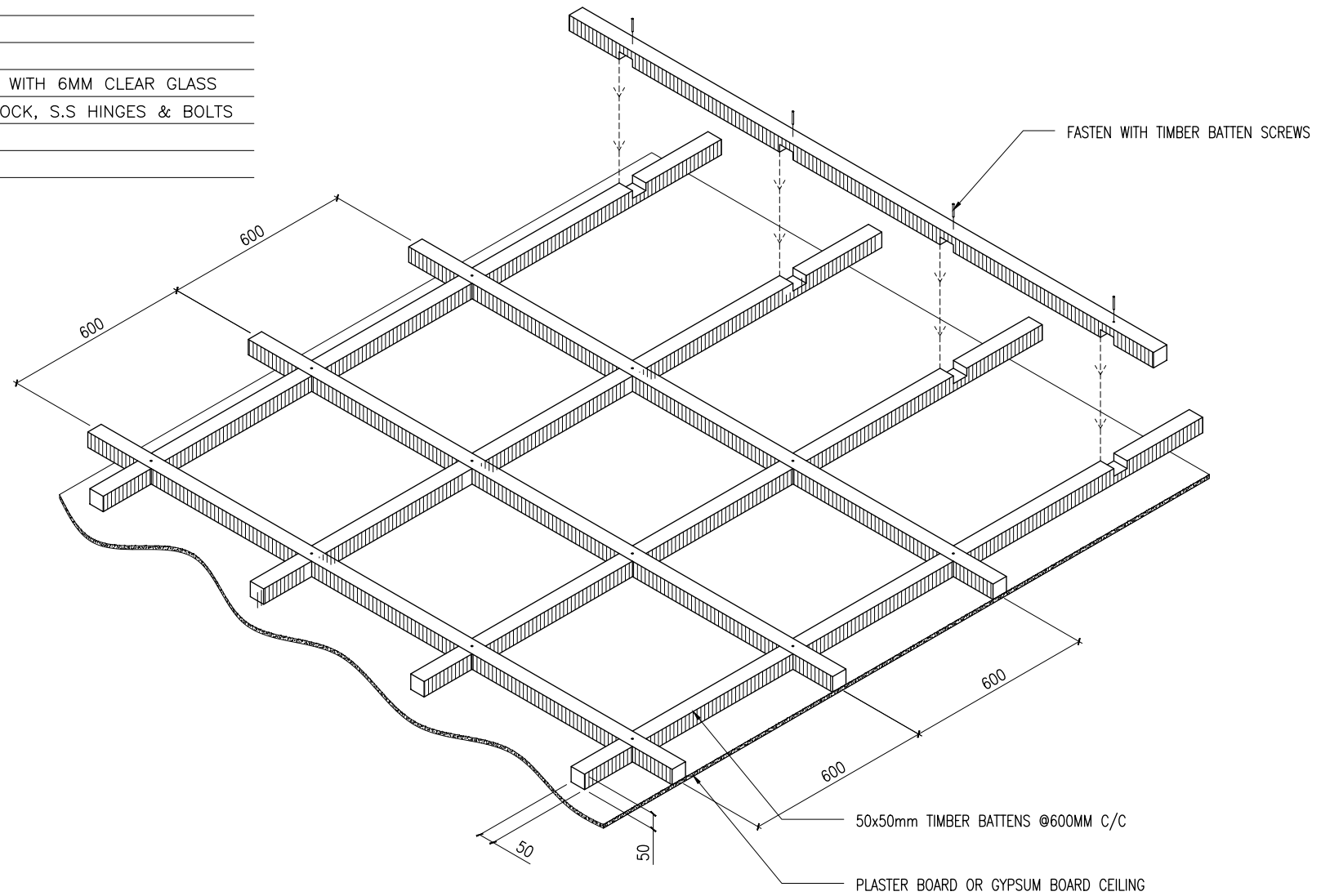
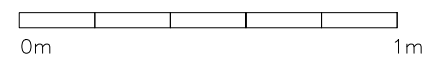
LOCATION	TOILET
QUANTITY	4
DOOR FRAME	TIMBER FRAME
DOOR PANEL	TIMBER PANEL
LOCK/HINGES	S.S HANDLE LOCK, S.S HINGES & BOLTS
FINISHES	WHITE FINISH
REMARKS	

LOCATION	TOILET
QUANTITY	4
DOOR FRAME	TIMBER FRAME
DOOR PANEL	TIMBER PANEL WITH 6MM CLEAR GLASS
LOCK/HINGES	S.S HANDLE LOCK, S.S HINGES & BOLTS
FINISHES	WHITE FINISH
REMARKS	



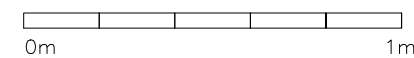
TYPICAL CEILING DETAIL

SCALE 1:5



TYPICAL ROOM CEILING ISOMETRIC VIEW

SCALE 1:20



CLIENT: VAAVU ATOLL COUNCIL

DESIGN AND CONSULTANCY:

KEY PLAN:

- WARNING:
- This drawing shall not be used for construction unless certified.
 - Contractor to verify all dimensions of existing works on site before commencing any work or preparing shop drawings.
 - Do not scale drawings, use written dimensions only.
 - This drawing is to be read in conjunction with the specifications and conditions of contract.
 - This drawing and design is copyright and no portion may be reproduced without the permission of the Consultant

REVISIONS

NO	DESCRIPTION	DATE

PROJECT:

V. FELIDHOO ATOLL COUNCIL OFFICE

- PHASE:
- CONCEPT DESIGN
 - DESIGN DEVELOPMENT
 - TENDER DOCUMENT
 - FOR CONSTRUCTION
 - AS BUILD DRAWINGS

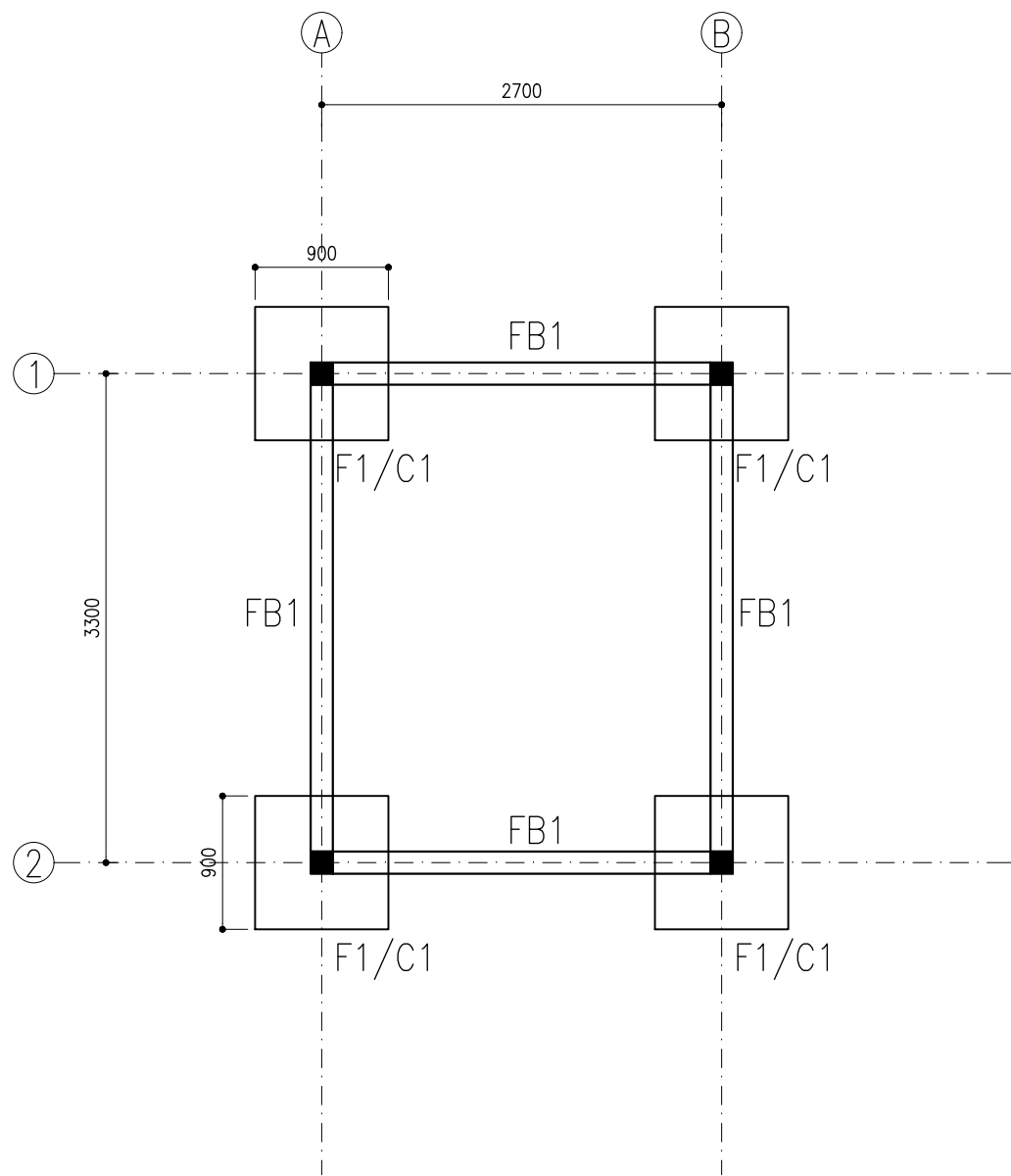
DESIGNATION	NAME
DESIGN BY:	SIARCH PVT LTD
STR. ENGINEER	ALI NISHAM
ARCHITECT	MUTHO
CHECKED	MOHAMED SIRAJ
DRAWN BY:	SASU

BUILDING:

VISITOR'S TOILET

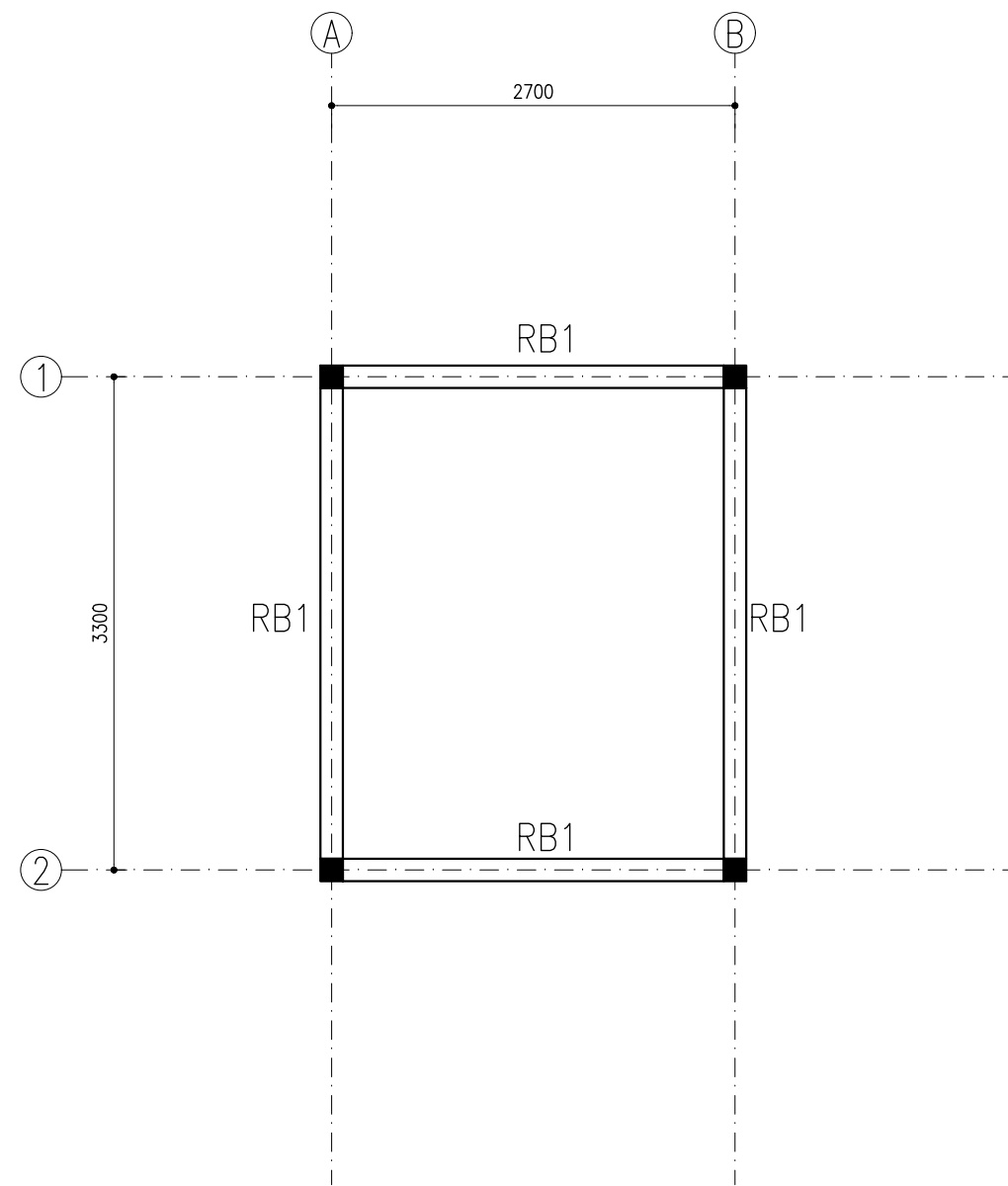
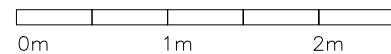
DOOR WINDOW SCHEDULE AND CEILING DETAIL

CODE	DATE	DWG. NO:
CA	2023.08.08	AR 03
FORMAT	A1 A2 A3	ISSUE A
SCALE	- - -	ISSUE A
FILE NAME:	BAR-CA_AR03	



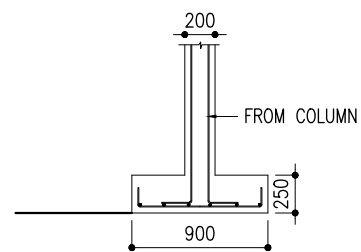
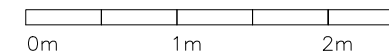
FOUNDATION LAYOUT

SCALE 1:50



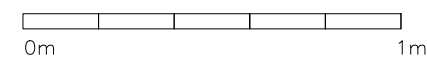
ROOF BEAM LAYOUT

SCALE 1:50

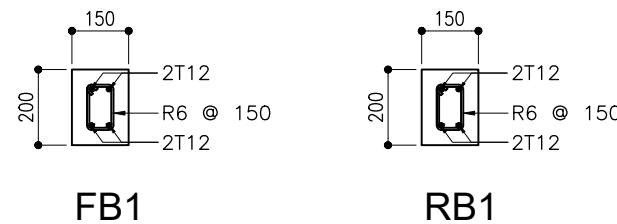


TYPICAL FOUNDATION FOOTING F1 DETAIL

SCALE 1:50

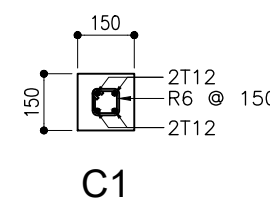
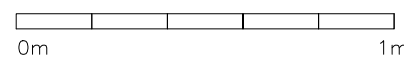


F1 = 900X900X250 T10-125 B/W B



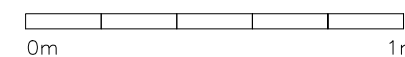
BEAM DETAILS

SCALE 1:20



COLUMN DETAILS

SCALE 1:20



CLIENT: VAAVU ATOLL COUNCIL

DESIGN AND CONSULTANCY:

KEY PLAN:

- WARNING:
- This drawing shall not be used for construction unless certified.
 - Contractor to verify all dimensions of existing works on site before commencing any work or preparing shop drawings.
 - Do not scale drawings, use written dimensions only.
 - This drawing is to be read in conjunction with the specifications and conditions of contract.
 - This drawing and design is copyright and no portion may be reproduced without the permission of the Consultant

REVISIONS

NO	DESCRIPTION	DATE

PROJECT:

V. FELIDHOO ATOLL COUNCIL OFFICE

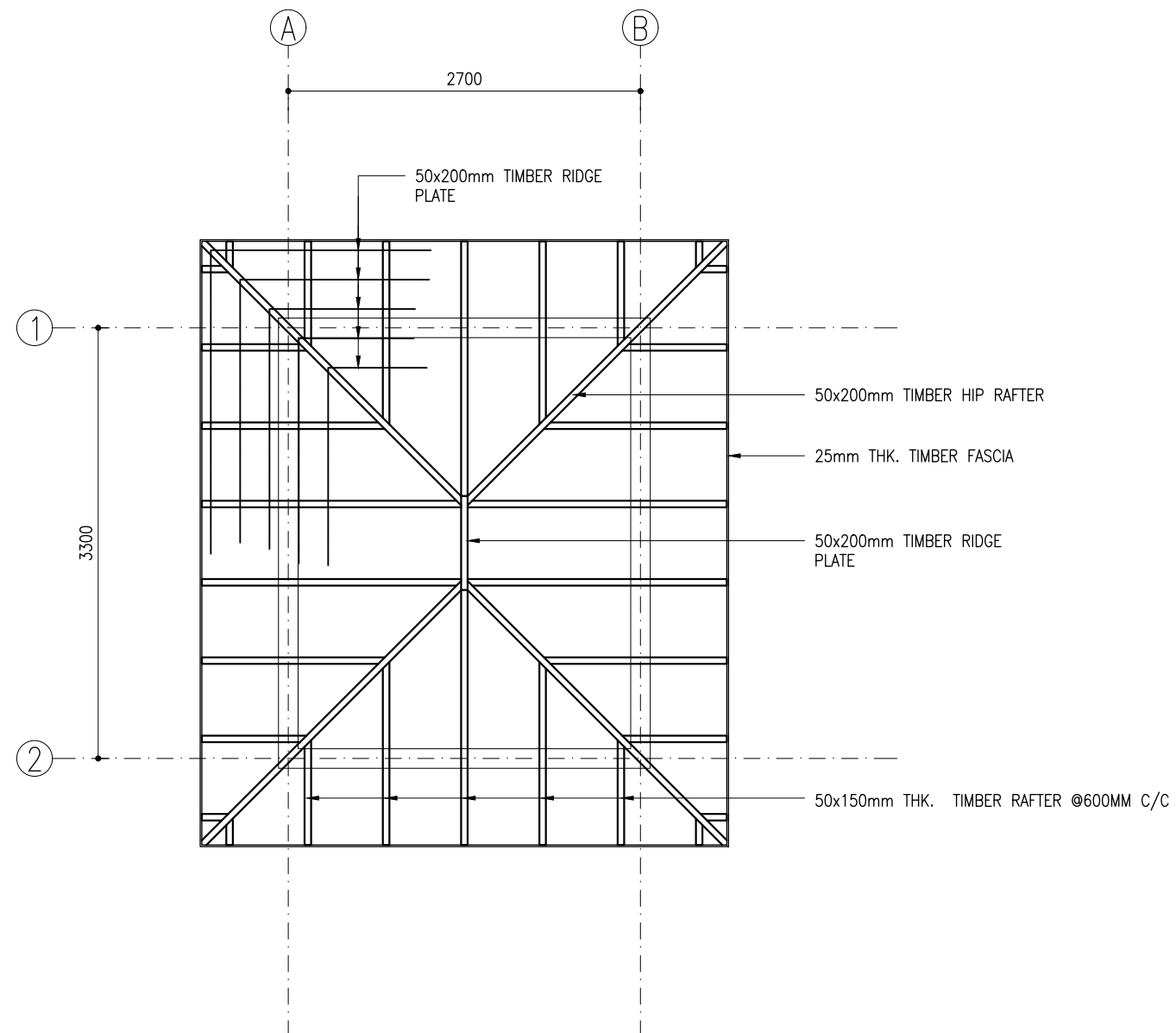
- PHASE:
- CONCEPT DESIGN
 - DESIGN DEVELOPMENT
 - TENDER DOCUMENT
 - FOR CONSTRUCTION
 - AS BUILD DRAWINGS

DESIGNATION	NAME
DESIGN BY:	SIARCH PVT LTD
STR. ENGINEER	ALI NISHAM
ARCHITECT	MUTHO
CHECKED	MOHAMED SIRAJ
DRAWN BY:	SASU

BUILDING: VISITOR'S TOILET

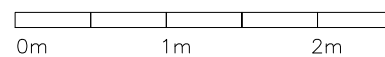
FOUNDATION PLAN, ROOF BEAM PLAN AND DETAILS

CODE	DATE	DWG. NO:
CA	2023.08.08	ST01
FORMAT	A1 A2 A3	
SCALE	- - 1:50 1:20	ISSUE A
FILE NAME:	BAR-CA_ST01	



ROOF STRUCTURAL LAYOUT

SCALE 1:50



CLIENT:
VAAVU ATOLL
COUNCIL

DESIGN AND CONSULTANCY:

KEY PLAN:

- WARNING:
- This drawing shall not be used for construction unless certified.
 - Contractor to verify all dimensions of existing works on site before commencing any work or preparing shop drawings.
 - Do not scale drawings, use written dimensions only.
 - This drawing is to be read in conjunction with the specifications and conditions of contract.
 - This drawing and design is copyright and no portion may be reproduced without the permission of the Consultant

REVISIONS

NO	DESCRIPTION	DATE

PROJECT:

V. FELIDHOO ATOLL
COUNCIL OFFICE

- PHASE:
- CONCEPT DESIGN
 - DESIGN DEVELOPMENT
 - TENDER DOCUMENT
 - FOR CONSTRUCTION
 - AS BUILD DRAWINGS

DESIGNATION	NAME
DESIGN BY:	SIARCH PVT LTD
STR. ENGINEER	ALI NISHAM
ARCHITECT	MUTHO
CHECKED	MOHAMED SIRAJ
DRAWN BY:	SASU

BUILDING:
VISITOR'S TOILET

ROOF STRUCTURAL
PLAN

CODE	DATE	DWG. NO:
CA	2023.08.08	ST02
FORMAT	A1 A2 A3	
SCALE	- - 1:50	ISSUE A
FILE NAME:	BAR-CA_ST02	