

V. FELIDHOO ATOLL COUNCIL.
COUNCIL VISITOR'S TOILET
MEP DRAWINGS
2023.08.08

SIARCH
PRIVATE LIMITED
LONUZIYAARAIY MAGU, MALE', 20075, MALDIVES
EMAIL: INFO@SIARCH.DESIGN
HTTP://WWW.SIARCH.DESIGN

V. FELIDHOO COUNCIL OFFICE VISITOR'S TOILET DRAWING INDEX

PROJECT CODE: RSD_212
 CLIENT: V. FELIDHOO ATOLL COUNCIL
 BUILDING: COUNCIL TOILET BUILDING
 BUILDING CODE: CL-TOI
 DWG FILE NAME: CL - TOI - COUNCIL TOILET

BLDN.CODE.	DISC.	NO.	PDF FILE NAME	DRAWING TITLE		SCALE	FORMAT	DATE
				PRIMARY	SECONDARY			
DL-67	MEP	01	BAR-CA_ MEPO0	MEP DRAWING INDEX		-	A3	2023.06.14
DL-67	MEP	02	BAR-CA_ MEPO1	ELECTRICAL FLOOR PLAN		1:50	A3	2023.06.14
DL-67	MEP	03	BAR-CA_ MEPO2	POWER FLOOR PLAN		1:50	A3	2023.06.14
DL-67	MEP	04	BAR-CA_ MEPO3	SEWAGE LAYOUT PLAN		1:50	A3	2023.06.14
DL-67	MEP	05	BAR-CA_ MEPO4	FRESH WATER LAYOUT PLAN		1:50	A3	2023.06.14
DL-67	MEP	06	BAR-CA_ MEPO5	GROUND FLOOR FIRE SAFETY PLAN		1:50	A3	2023.06.14

CLIENT: VAAVU ATOLL
COUNCIL

CONSULTANCY:



KEY PLAN:

WARNING:

- This drawing shall not be used for construction unless certified.
- Contractor to verify all dimensions of existing works on site before commencing any work or preparing shop drawings.
- Do not scale drawings, use written dimensions only.
- This drawing is to be read in conjunction with the specifications and conditions of contract.
- This drawing and design is copyright and no portion may be reproduced without the permission of the Consultant

REVISIONS		
NO	DESCRIPTION	DATE

PROJECT:

V. FELIDHOO ATOLL
COUNCIL OFFICE

PHASE:

- CONCEPT DESIGN
- DESIGN DEVELOPMENT
- TENDER DOCUMENT
- FOR CONSTRUCTION
- AS BUILD DRAWINGS

DESIGNATION	NAME	SIGNATURE
DESIGN BY:	SIARCH PVT LTD.	
STR. ENGINEER	ALI NISHAM	
ARCHITECT	MOHAMED SIRAJ	
CHECKED	GERRY	
DRAWN	MOHAMED SIRAJ SAMPATH B MAASA ABDULLA	

DWG. NAME:

BUILDING:

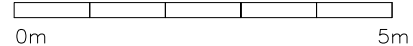
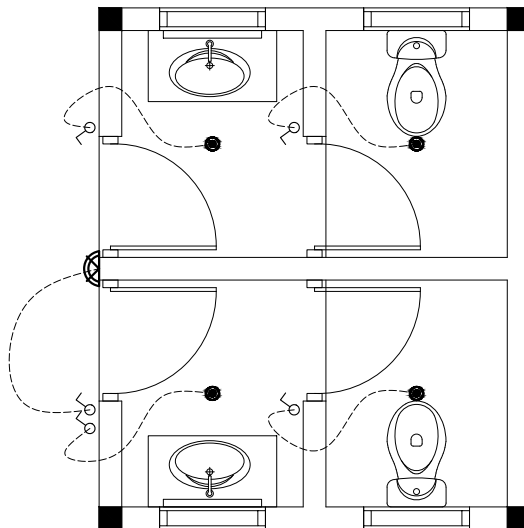
MEP
OFFICE







DRAWING INDEX

CODE	DATE	DWG. NO:
RSD_212	08.05.2023	MEPO0
FORMAT	A1 A2 A3	
SCALE	- 1:100	ISSUE A
PDF FILE NAME: BAR-CA_MEPO0		

ELECTRICAL FLOOR PLAN

SCALE 1:100

LIGHTING LEGEND		
SYMBOL	CODE	DESCRIPTION
●	CL1	CEILING MOUNTED LED DOWN LIGHT (5W)
○	CL2	CEILING MOUNTED LED DOWN LIGHT WITH DIFFUSER (15W)
		FAN
⊕	PL2	DECORATIVE PENDENT LIGHT TYPE 2
—	SL2	LED STRIP BACK LIGHT (10W)
	WL	LED WALL MOUNTED LIGHT (20W)
 xxW xxG	1W1G	FAN CONTROL (xxW = No fo WAY) (xxG = No fo GANG)
 xxW xxG	1W1G	ONE WAY SWITCH (xxW = No fo WAY) (xxG = No fo GANG)
	MDB	POWER MAIN DISTRIBUTION BOARD
	SDB	POWER SUB DISTRIBUTION BOARD

CLIENT: VAAVU ATOLL COUNCIL

DESIGN AND CONSULTANCY:

SIARCH
P R I V A T E L I M I T E D
CONSULTANCY REGISTRATION NO: 20073/MALDIVE
EMAIL: INFO@SIARCH.DESIGN
HTTP://WWW.SIARCH.DESIGN

KEY PLAN:

WARNING:

- This drawing shall not be used for construction unless certified.
- Contractor to verify all dimensions of existing works on site before commencing any work or preparing shop drawings.
- Do not scale drawings, use written dimensions only.
- This drawing is to be read in conjunction with the specifications and conditions of contract.
- This drawing and design is copyright and no portion may be reproduced without the permission of the Consultant

REVISIONS		
NO	DESCRIPTION	DATE

PROJECT:

V. FELIDHOO ATOLL COUNCIL OFFICE

PHASE:

- CONCEPT DESIGN
- DESIGN DEVELOPMENT
- TENDER DOCUMENT
- FOR CONSTRUCTION
- AS BUILD DRAWINGS

DESIGNATION	NAME
DESIGN BY:	SIARCH PVT LTD
STR. ENGINEER	ALI NISHAM
ARCHITECT	MUTHO
CHECKED	MOHAMED SIRAJ
DRAWN BY:	BARSA ABDULLA

BUILDING:

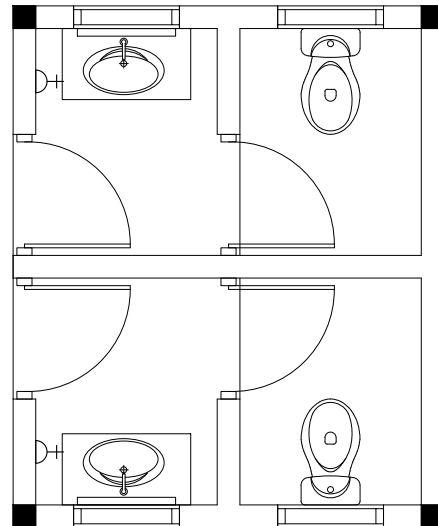
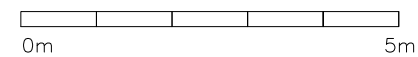
VISITORS TOILET

ELECTRICAL FLOOR PLAN

CODE	DATE	DWG. NO:
CA	2023.08.08	AR 01
FORMAT	A1 A2 A3	ISSUE A
SCALE	- - 1:50	FILE NAME: BAR-CA_MEP01

POWER FLOOR PLAN

SCALE 1:50



SYMBOL	DESCRIPTION
TE: PANEL	MAIN TELECOMMUNICATION PANEL
TJB	TELEPHONE JUNCTION BOX
	PVC CONDUIT (SIZE IS MENTIONED ON LAYOUT)
	TELEPHONE SOCKET OUTLET
	DATA SOCKET OUTLET
	TV SOCKET OUTLET
	AUDIO OUT
	SUB DB
	MAIN DB
	SINGLE SWITCHED SOCKET OUTLET
	TWIN SWITCHED SOCKET OUTLET
	15A SINGLE SWITCHED SOCKET OUTLET HIGH LEVEL
	13A SINGLE SWITCHED SOCKET OUTLET WEATHER PROOF
	SPN ISOLATOR (RATING IS MENTIONED ON LAYOUT)
	TPN ISOLATOR (RATING IS MENTIONED ON LAYOUT)

CLIENT: VAAVU ATOLL COUNCIL

DESIGN AND CONSULTANCY:



KEY PLAN:

- WARNING:
- This drawing shall not be used for construction unless certified.
 - Contractor to verify all dimensions of existing works on site before commencing any work or preparing shop drawings.
 - Do not scale drawings, use written dimensions only.
 - This drawing is to be read in conjunction with the specifications and conditions of contract.
 - This drawing and design is copyright and no portion may be reproduced without the permission of the Consultant

REVISIONS		
NO	DESCRIPTION	DATE

PROJECT:

V. FELIDHOO ATOLL COUNCIL OFFICE

- PHASE:
- CONCEPT DESIGN
 - DESIGN DEVELOPMENT
 - TENDER DOCUMENT
 - FOR CONSTRUCTION
 - AS BUILD DRAWINGS

DESIGNATION	NAME
DESIGN BY:	SIARCH PVT LTD
STR. ENGINEER	ALI NISHAM
ARCHITECT	MUTHO
CHECKED	MOHAMED SIRAJ
DRAWN BY:	BARSA ABDULLA

BUILDING:
VISITORS TOILET

POWER FLOOR PLAN

CODE	DATE	DWG. NO:
CA	2023.08.08	AR 01
FORMAT	A1 A2 A3	ISSUE A
SCALE	- - 1:50	FILE NAME: BAR-CA_MEP02

CLIENT:
VAAVU ATOLL
COUNCIL

DESIGN AND CONSULTANCY:
SIARCH
P R I V A T E L I M I T E D
CONSTITUENT MEMBERS: 20073 MALDIVES
EMAIL: I N F O @ S I A R C H . D E S I G N
H T T P : / / W W W . S I A R C H . D E S I G N

KEY PLAN:

WARNING:

- This drawing shall not be used for construction unless certified.
- Contractor to verify all dimensions of existing works on site before commencing any work or preparing shop drawings.
- Do not scale drawings, use written dimensions only.
- This drawing is to be read in conjunction with the specifications and conditions of contract.
- This drawing and design is copyright and no portion may be reproduced without the permission of the Consultant

REVISIONS

NO	DESCRIPTION	DATE

PROJECT:

V. FELIDHOO ATOLL
COUNCIL OFFICE

PHASE:

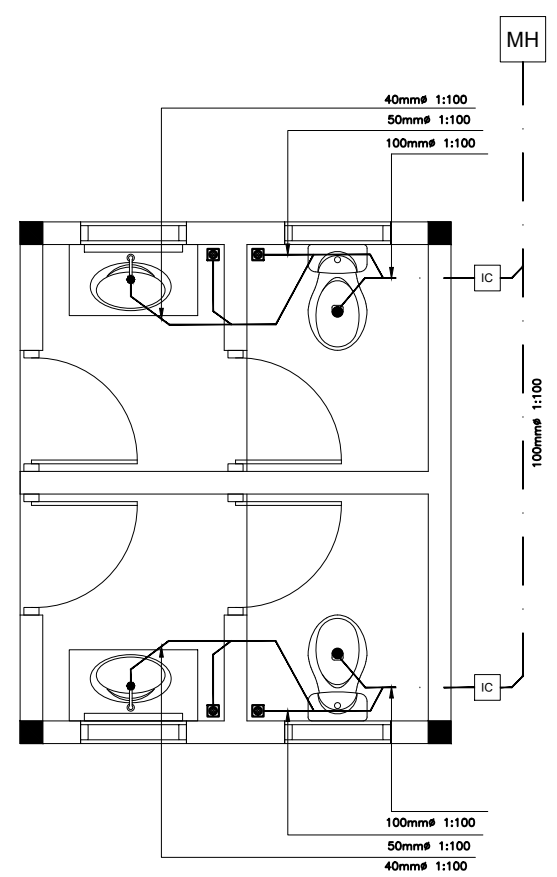
- CONCEPT DESIGN
- DESIGN DEVELOPMENT
- TENDER DOCUMENT
- FOR CONSTRUCTION
- AS BUILD DRAWINGS

DESIGNATION	NAME
DESIGN BY:	SIARCH PVT LTD
STR. ENGINEER	ALI NISHAM
ARCHITECT	MUTHO
CHECKED	MOHAMED SIRAJ
DRAWN BY:	BARSA ABDULLA

BUILDING:
VISITORS TOILET

SEWAGE LAYOUT PLAN

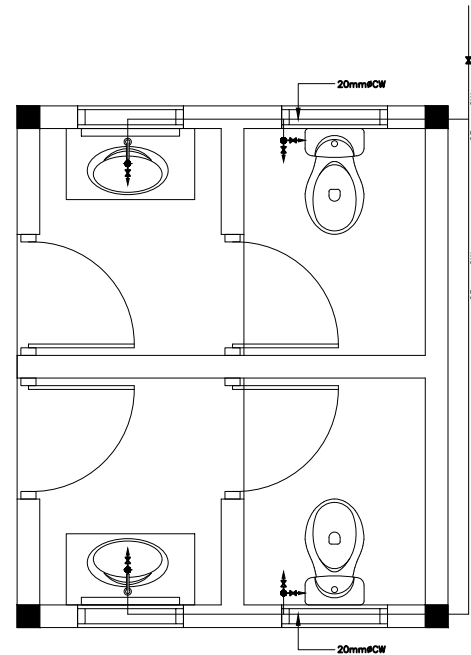
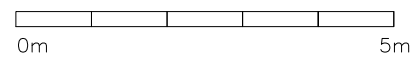
CODE	DATE	DWG. NO:
CA	2023.08.08	AR 01
FORMAT	A1 A2 A3	ISSUE A
SCALE	- - 1:50	FILE NAME: BAR-CA_MEP03



SEWAGE LAYOUT PLAN
SCALE 1:50
0m 5m

FRESH WATER LAYOUT PLAN

SCALE 1:50



CLIENT:
VAAVU ATOLL
COUNCIL

DESIGN AND CONSULTANCY:



KEY PLAN:

WARNING:

- This drawing shall not be used for construction unless certified.
- Contractor to verify all dimensions of existing works on site before commencing any work or preparing shop drawings.
- Do not scale drawings, use written dimensions only.
- This drawing is to be read in conjunction with the specifications and conditions of contract.
- This drawing and design is copyright and no portion may be reproduced without the permission of the Consultant

REVISIONS

NO	DESCRIPTION	DATE

PROJECT:

V. FELIDHOO ATOLL
COUNCIL OFFICE

PHASE:

- CONCEPT DESIGN
- DESIGN DEVELOPMENT
- TENDER DOCUMENT
- FOR CONSTRUCTION
- AS BUILD DRAWINGS

DESIGNATION	NAME
DESIGN BY:	SIARCH PVT LTD
STR. ENGINEER	ALI NISHAM
ARCHITECT	MUTHO
CHECKED	MOHAMED SIRAJ
DRAWN BY:	BARSA ABDULLA

BUILDING:

VISITOR'S TOILET

FRESH WATER LAYOUT PLAN

CODE	DATE	DWG. NO:
CA	2023.08.08	AR 01
FORMAT	A1 A2 A3	
SCALE	- - 1:50	ISSUE A
FILE NAME:	BAR-CA_MEP04	