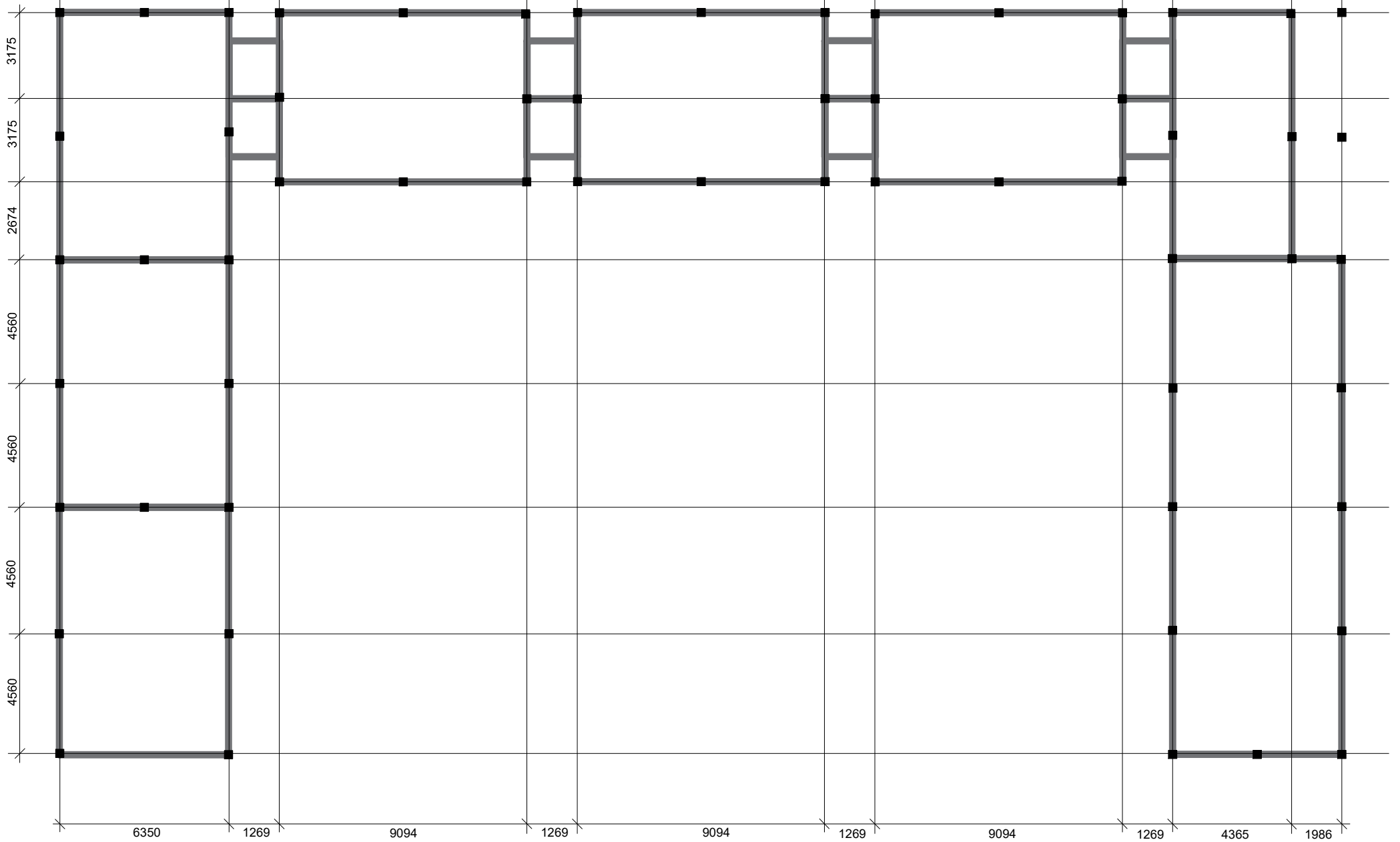


Drawing 1

Floor



Drawing 2

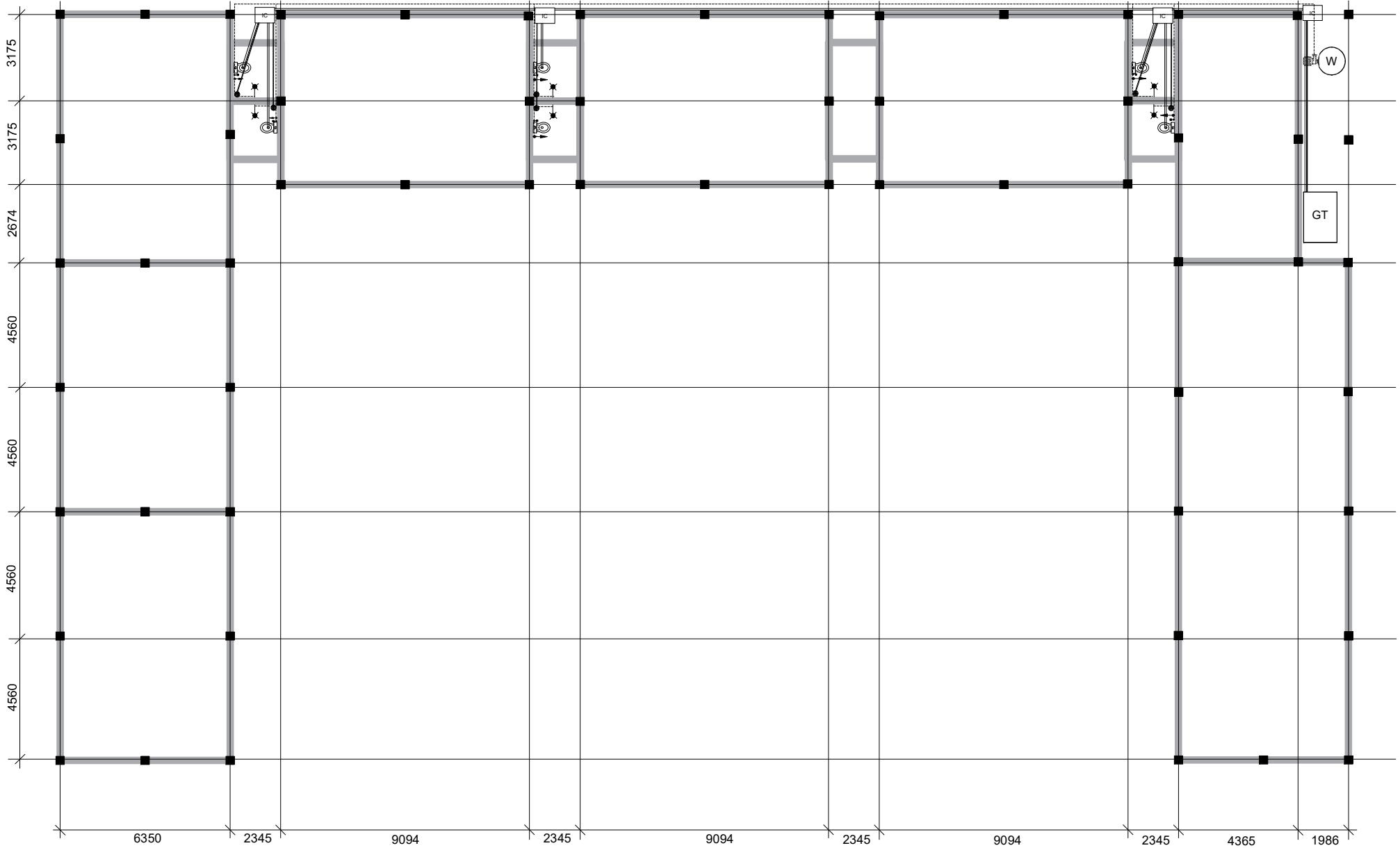
Water & Sewage

Water Supply Legend

Symbols	Descriptions
	Tap
	Muslim Shower
	UPVC High pressure Ground Water supply (Diameter 12mm - 35mm)
	Well
	Water Pump
	Angle valve (Flash Tank)

Sewage Legend

Symbols	Descriptions
	Toilet Seat
	Inspection Chamber (600mmx600mm)
	Grease Trap (As per Fenaka Standards)
	Floor Drain
	UPVC High pressure waste water pipe (Diameter 70mm - 90mm)
	UPVC Sewage disposal (Diameter 100mm)

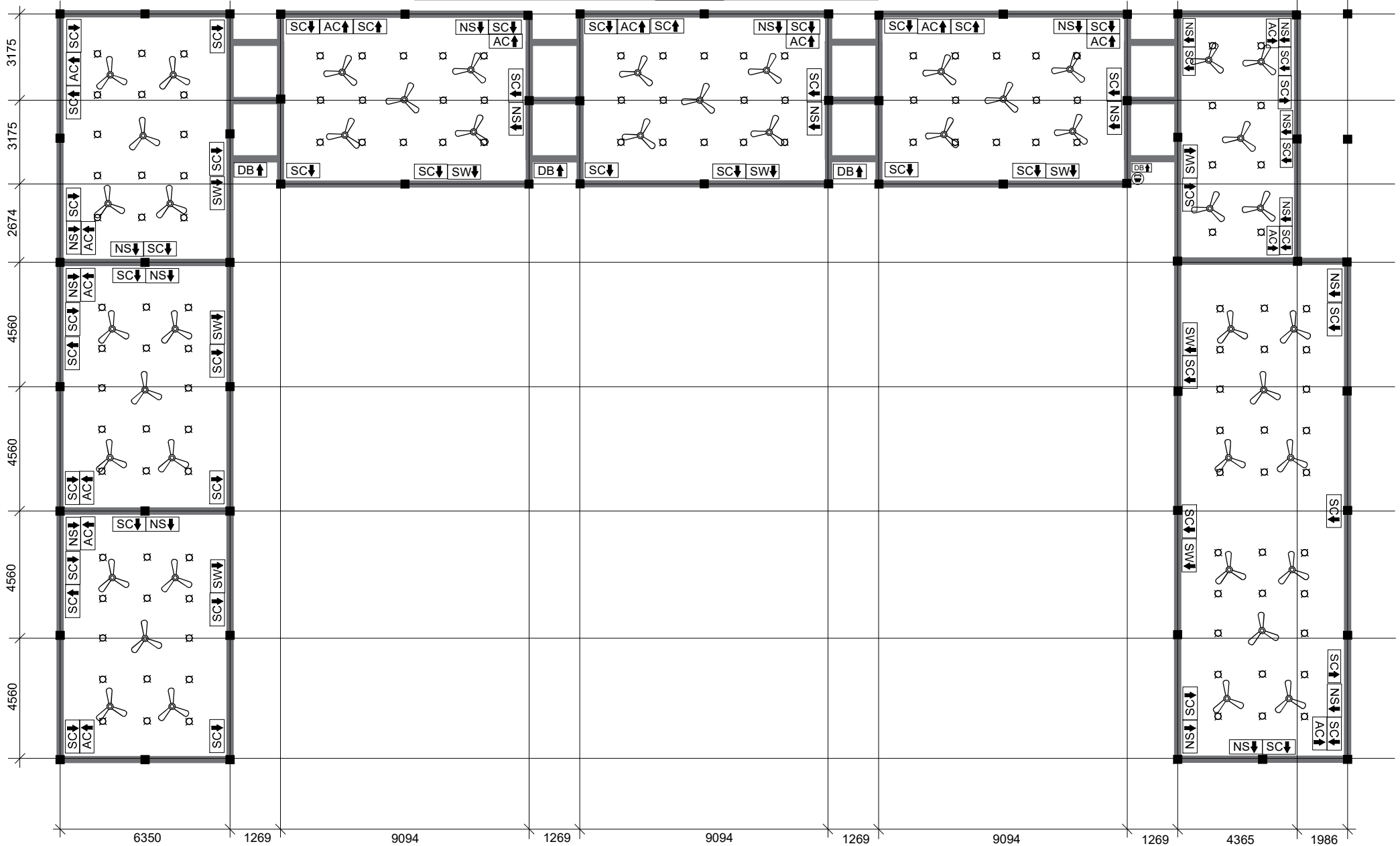


Drawing 3

Wiring

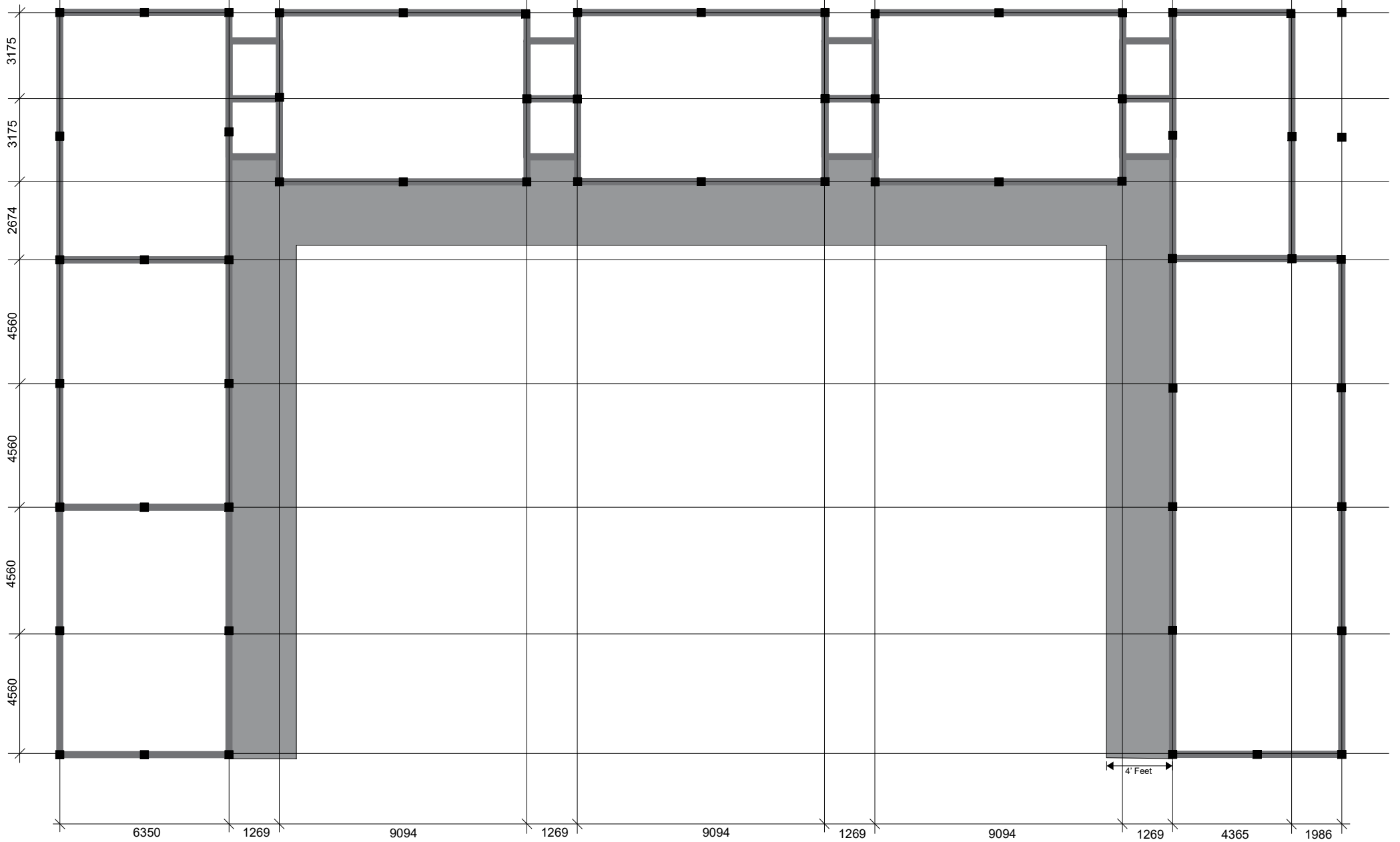
Wiring Legend

Symbols	Descriptions	Symbols	Descriptions
NS↓	Network Socket		Meter
SC↓	Socket 13AMP		Ceiling mount lights
AC↑	Air-Condition Socket 15AMP		Ceiling mount fan
SW↓	Switches	SC↑	Socket emergency light
DB↑	Distribution Board		

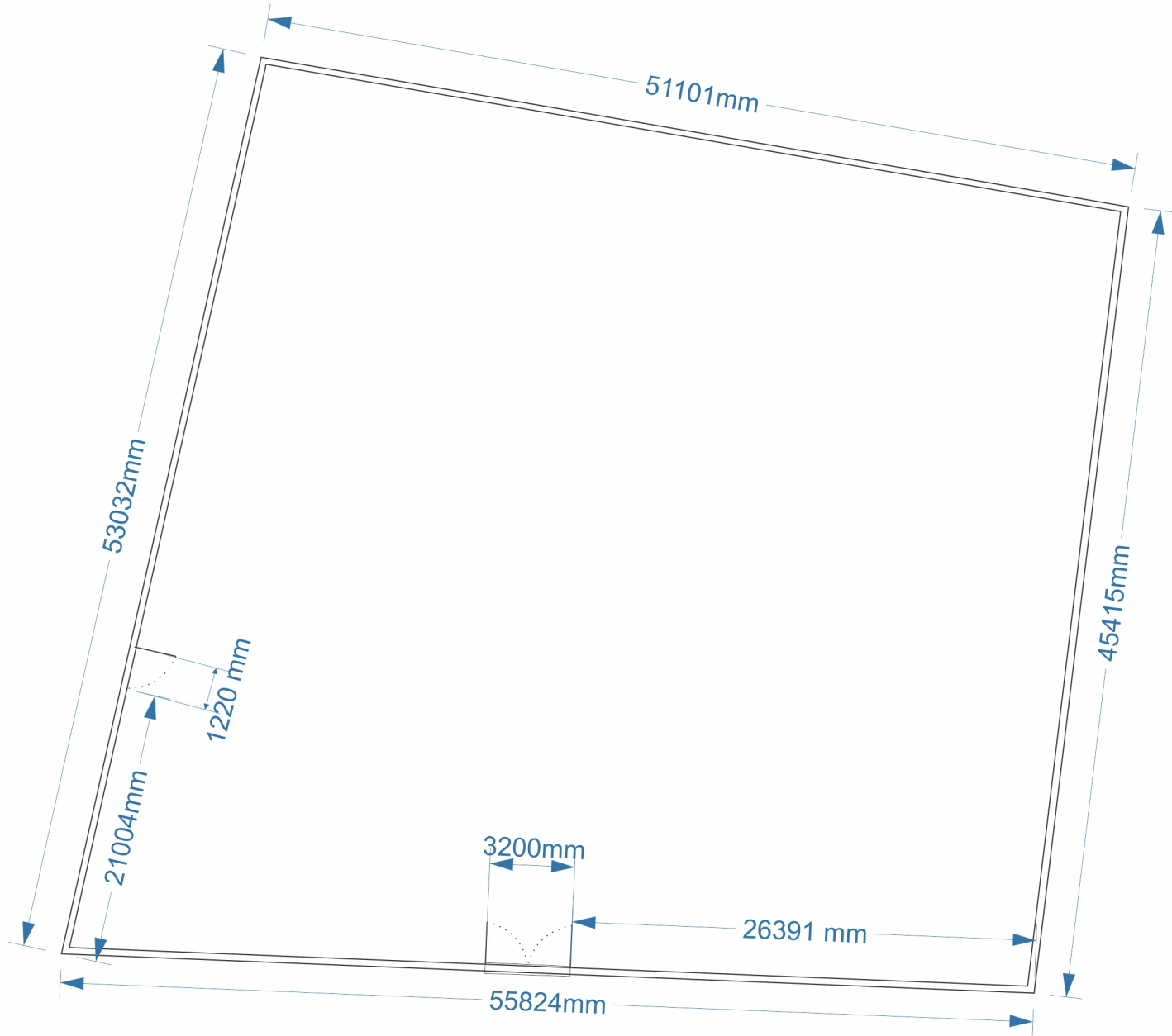


Drawing 4

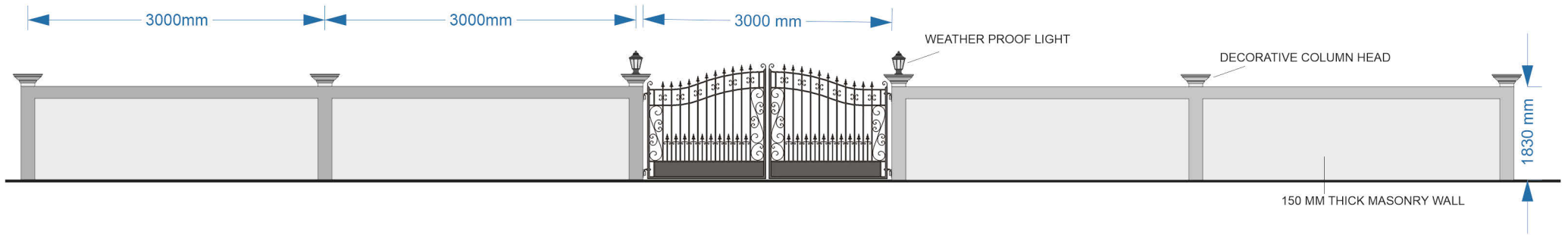
Walk-way



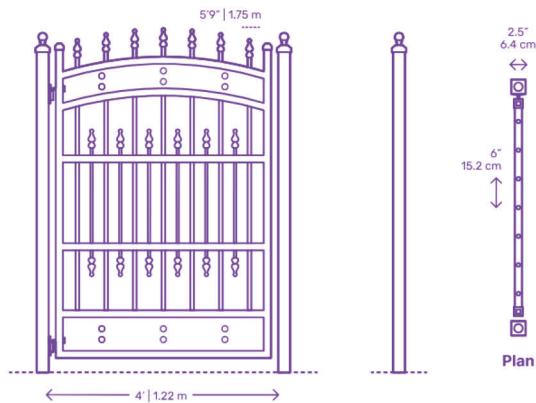
Boundary Wall Plan



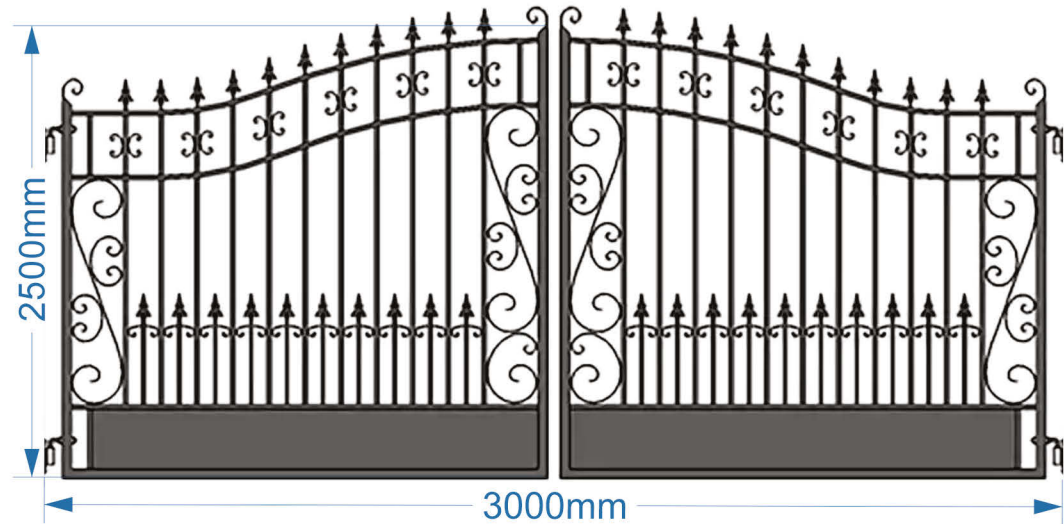
Boundary Wall Elevation



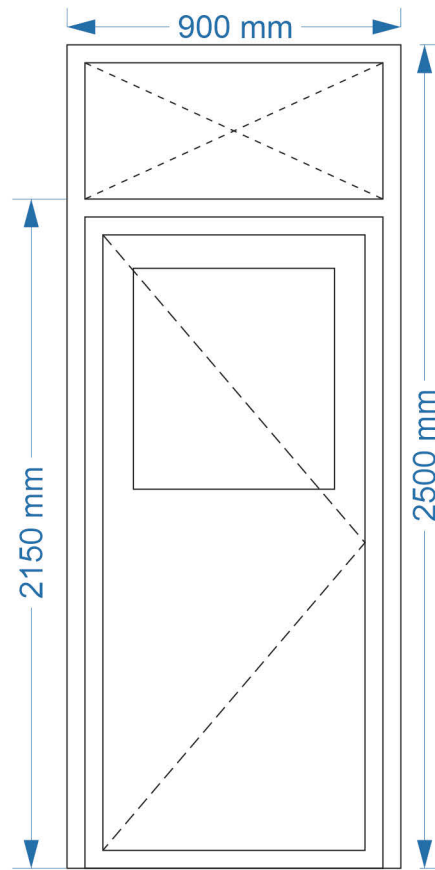
Staff Gate



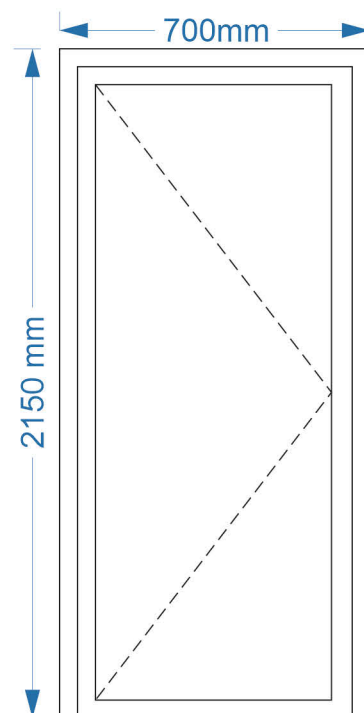
Main Gate

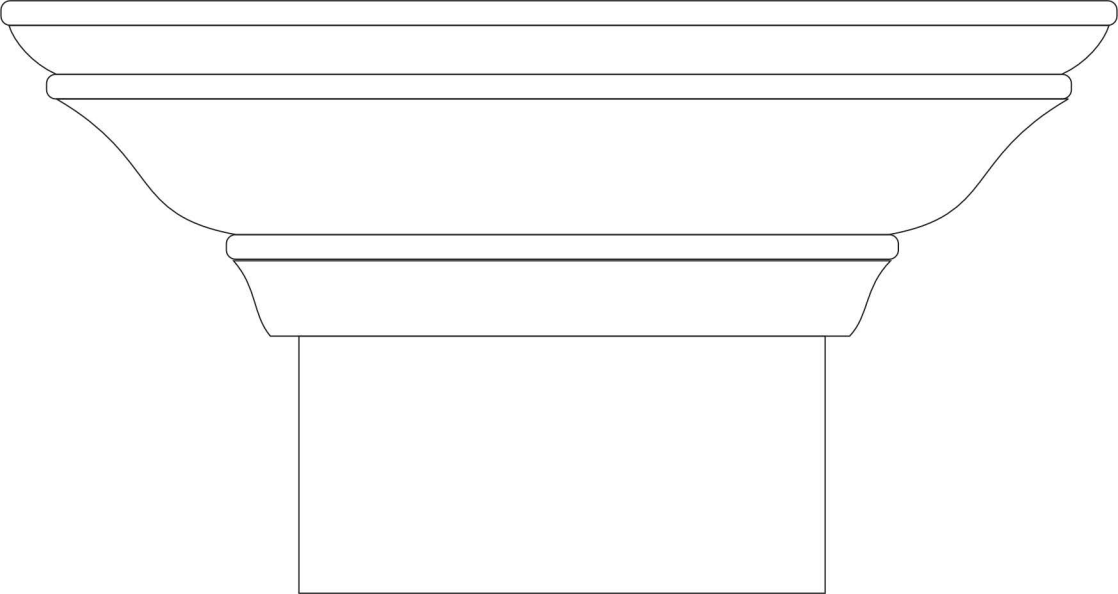


Door D1

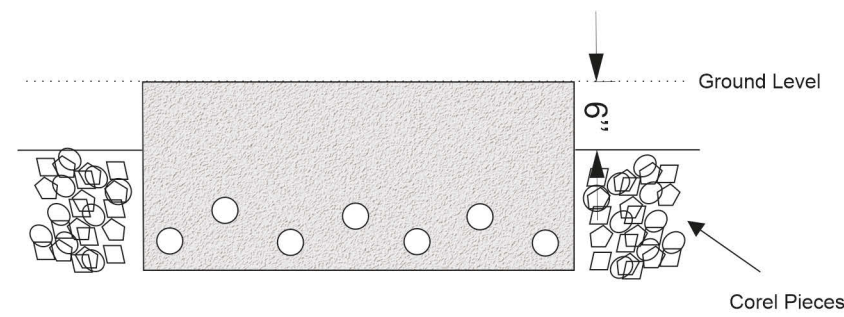
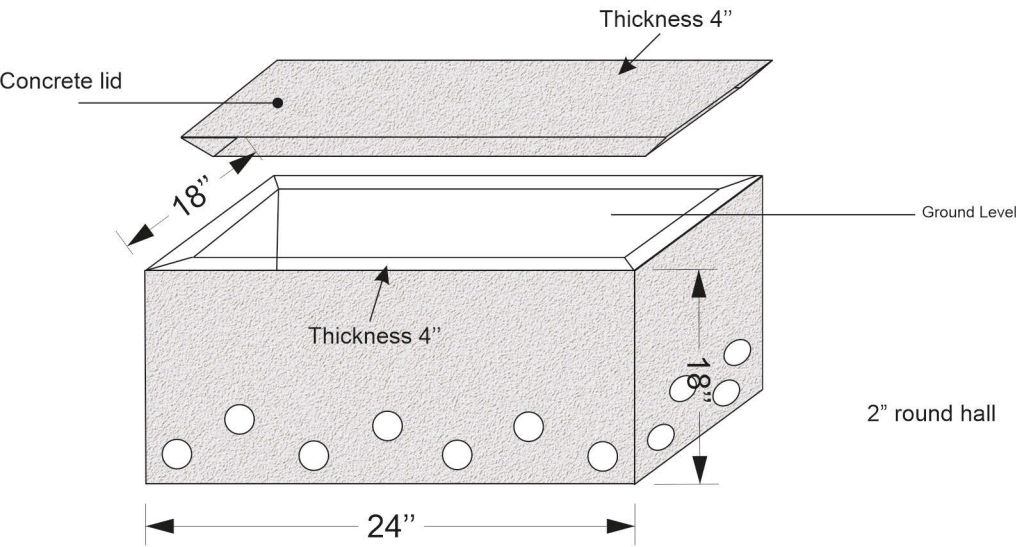


Door D2

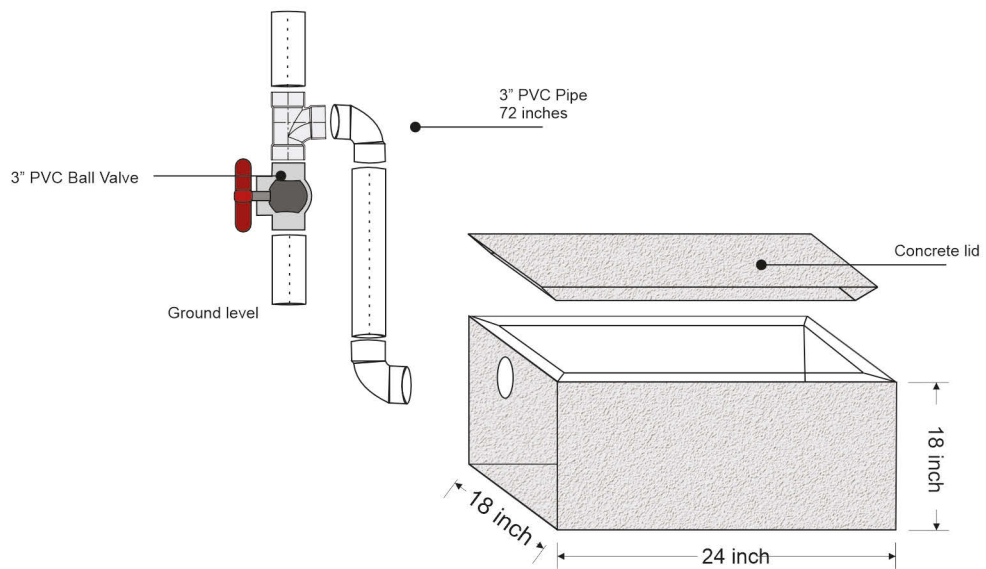




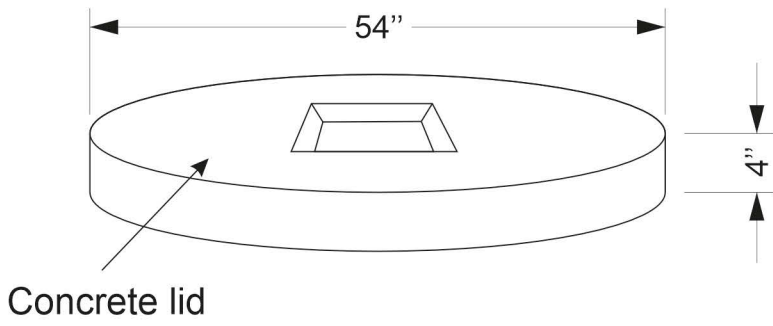
Soak Pit



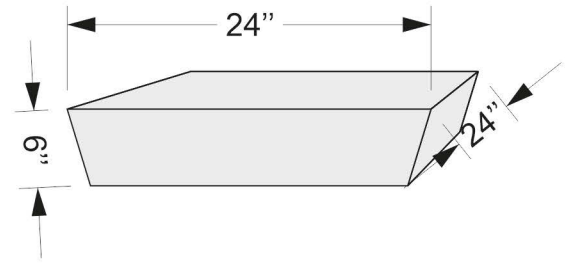
Soak Pit Connection



Concrete lid

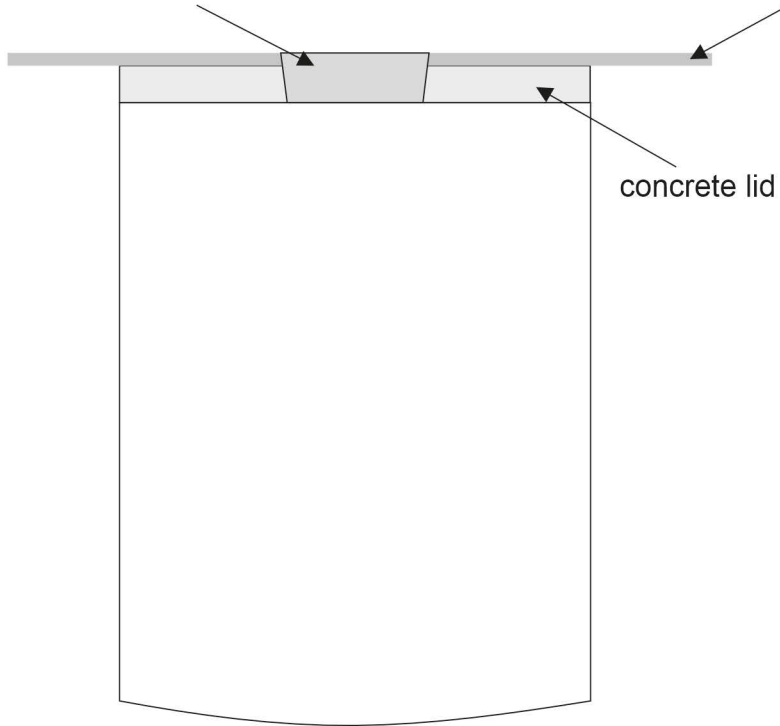


Tapered cover

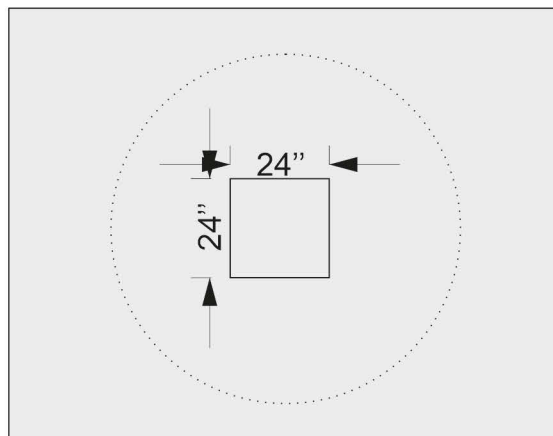


Square Tapered cover 24"*24"

floor screed

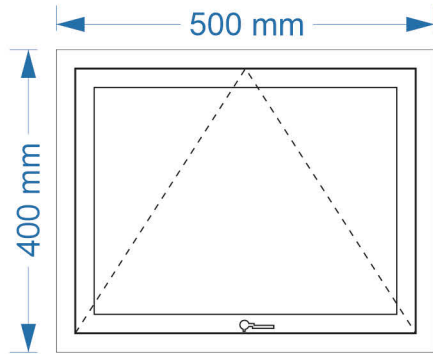


Floor Top View

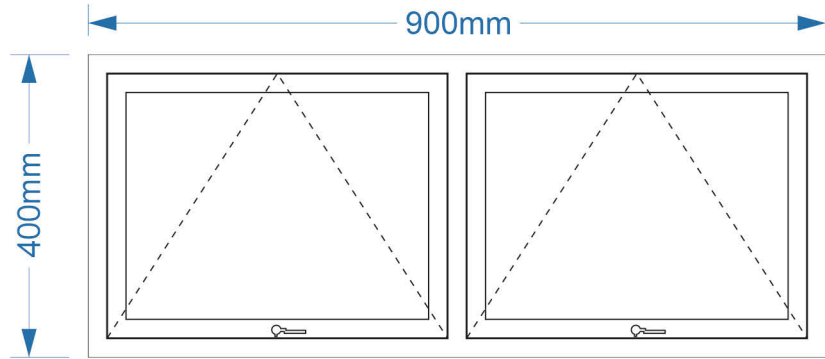


Ventilation

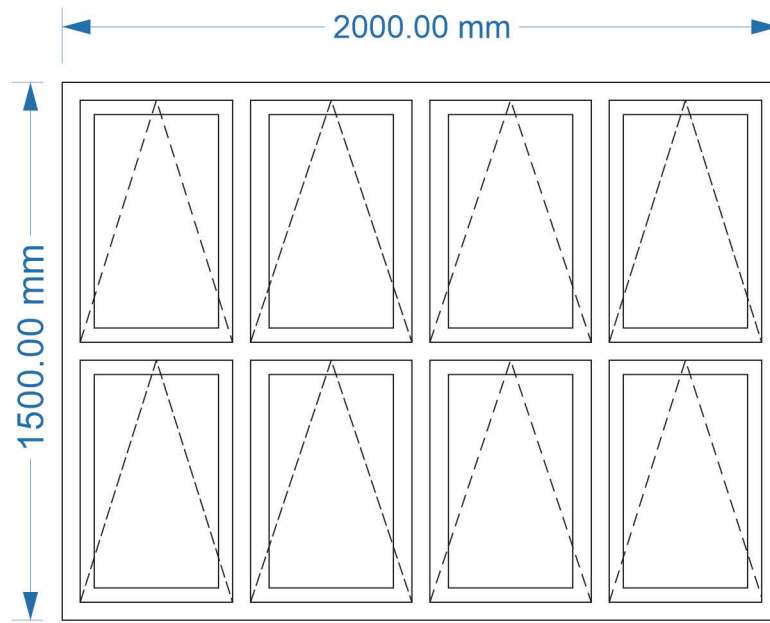
V1



V2



Window W1



Window W2

