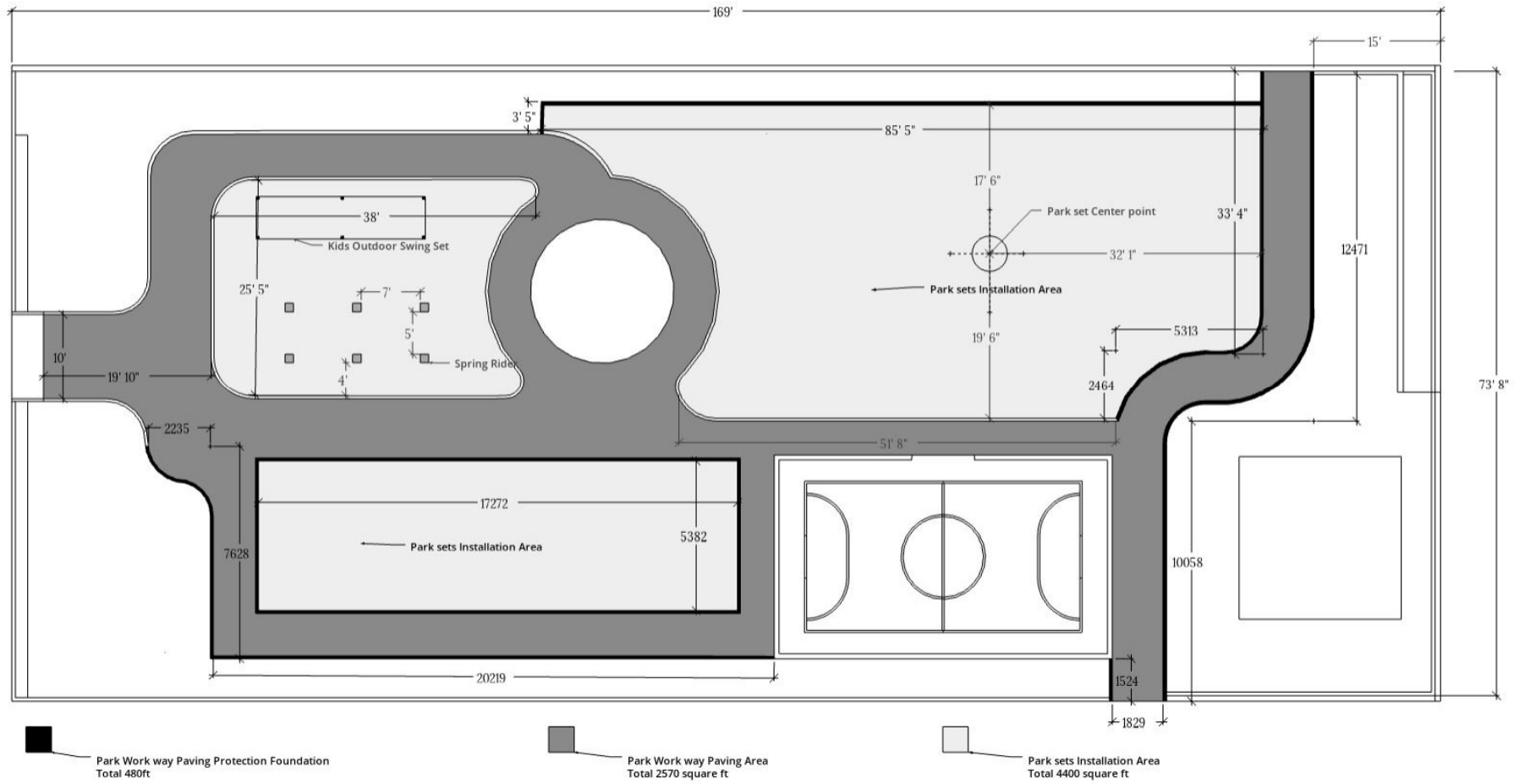
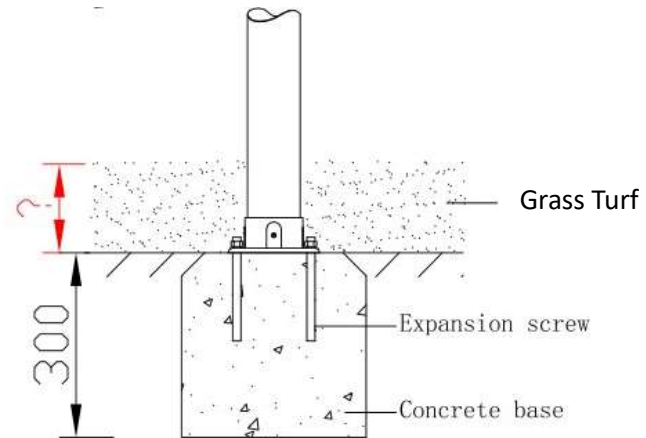


Park work way, Paving park-sets installation Details

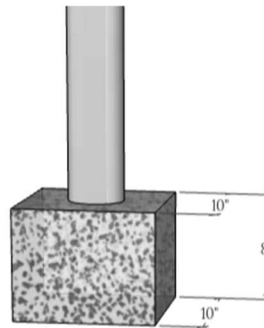


Park sets Installation concrete Basement details

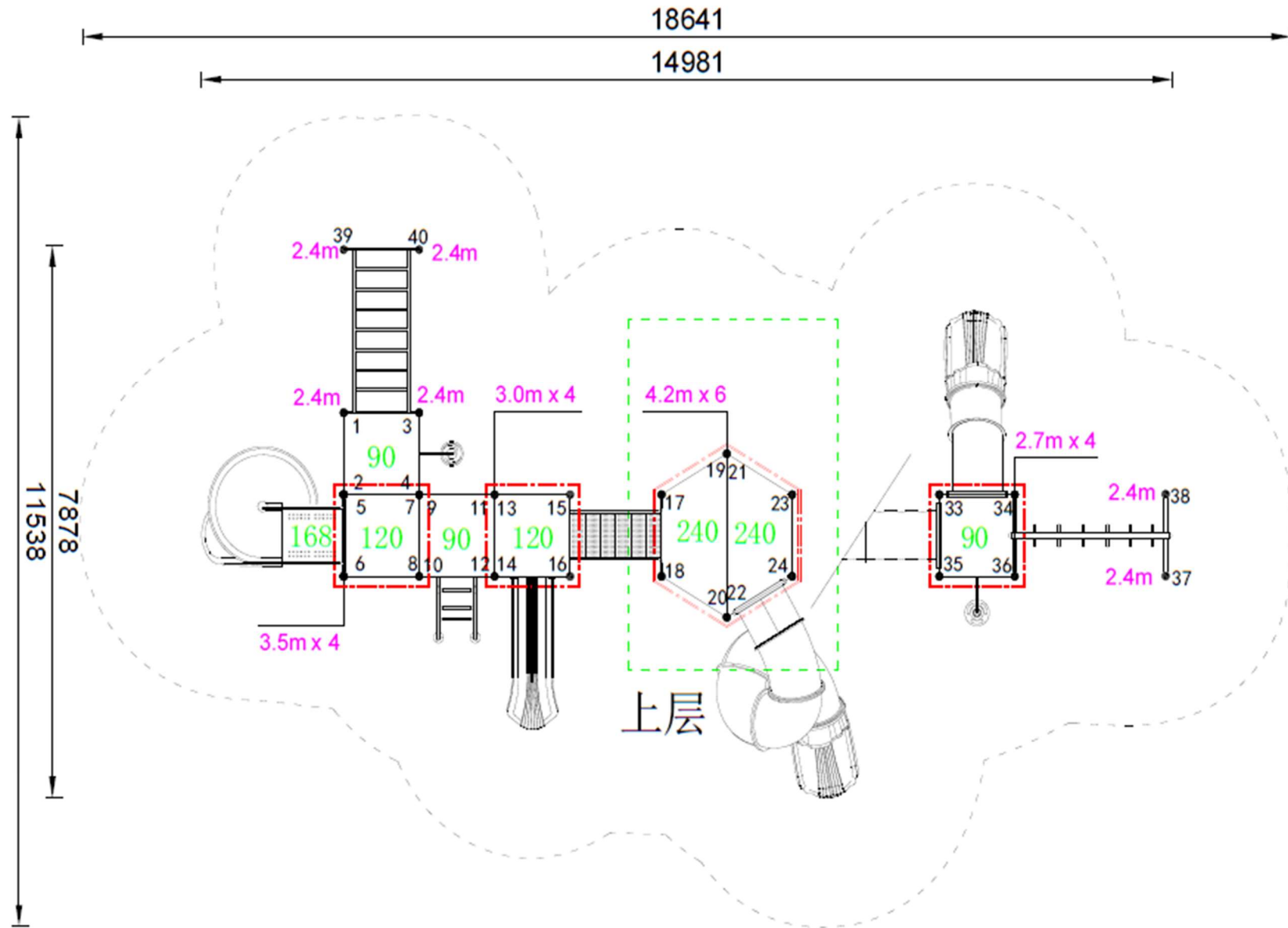


Post expansion installation

Mount on Concrete Beam

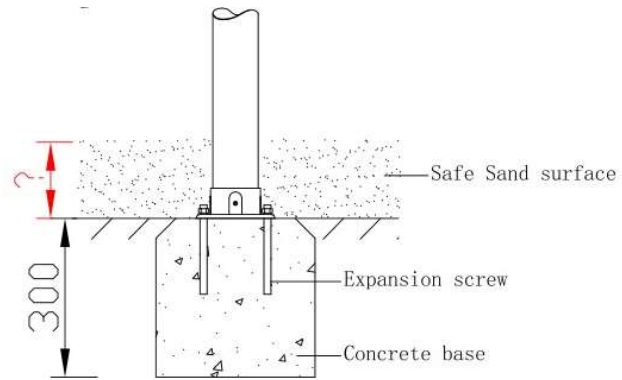




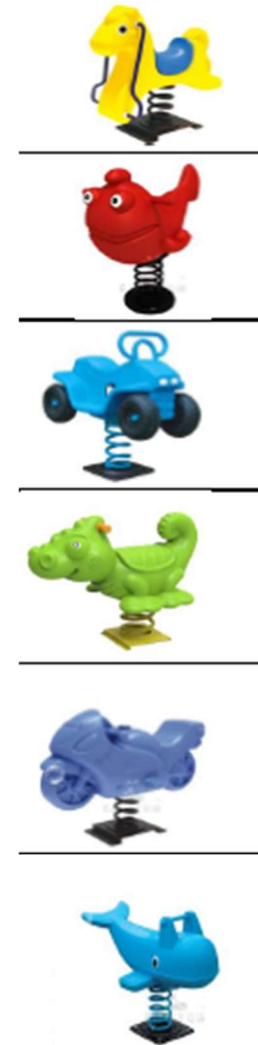


Other sets Installation concrete Basement details

Mount on Concrete Beam

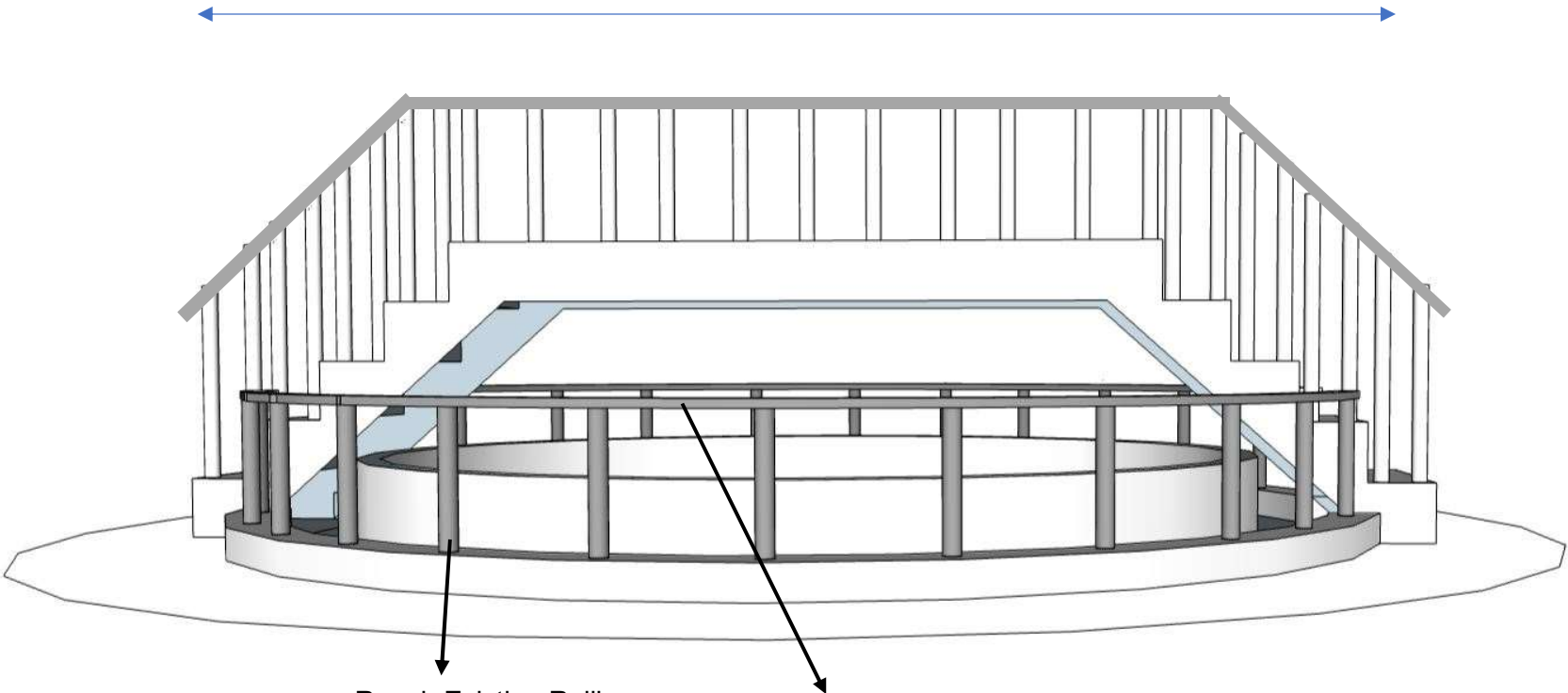


Post expansion installation



Kudakudhin Park Fish Pond

Pond diameter 17Ft



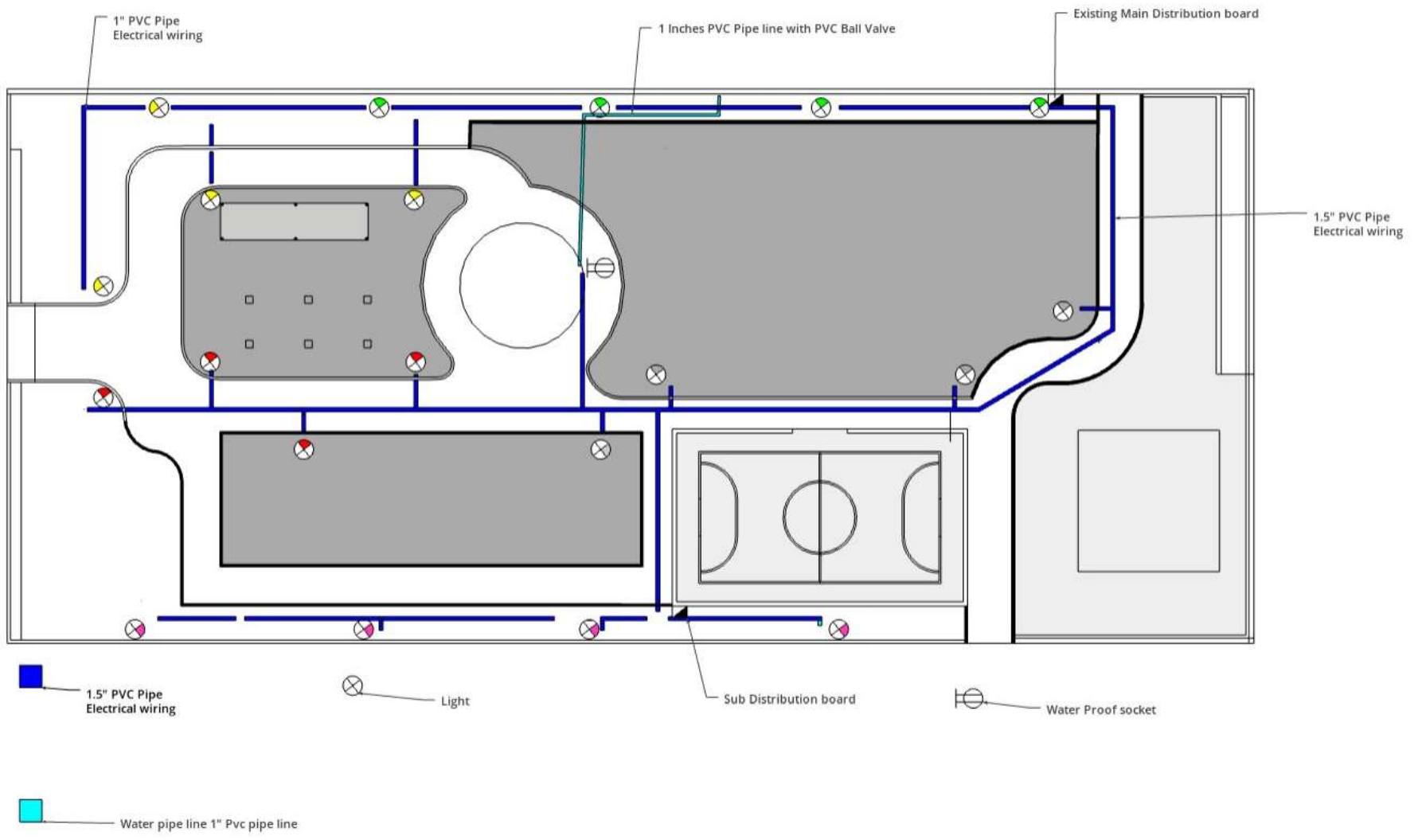
Repair Existing Railing

Using 1 inch Stainless steel tube, repair and add missing poles, All measurements to be checked at site before fabricating

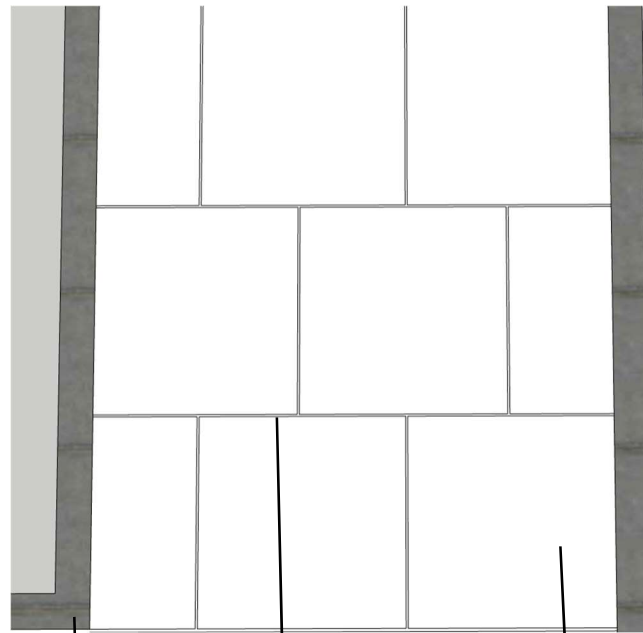
Add railing top

Using 1 inch Stainless steel tube, All measurements to be checked at site before fabricating

Electric and water wiring



Park Work-way Paving Details



24" x 24" Paving
Blocks

9mm Gap Between
Paving Blocks

Work-way Paving
Protection
Foundation