

























### Form of Bid Security (Bank Guarantee)

WHEREAS, .....[*name of Bidder*] (hereinafter called “the Bidder”) has submitted his Bid issued by the Ministry of Defence and National Security on .....for Supplying of .....[*name of Contract*] (hereinafter called “the Bid”).

KNOW ALL PEOPLE by these presents that We ..... [*name of Bank*] of ..... [*name of country*] having our registered office at ..... (hereinafter called “the Bank”) are bound unto .....[*name of Employer*] (hereinafter called “the Employer”) in the sum of \* ..... for which payment well and truly to be made to the said Employer, the Bank binds itself, its successors, and assigns by these presents.

SEALED with the Common Seal of the said Bank this .....day of .....20.....

THE CONDITIONS of this obligation are:

- (1) If, after Bid opening, the Bidder withdraws his Bid during the period of Bid validity specified in the Form of Bid;  
or
- (2) If the Bidder having been notified of the acceptance of his Bid by the Employer during the period of Bid validity:
  - (a) fails or refuses to execute the Form of Agreement in accordance with the Instructions to Bidders, if required; or
  - (b) fails or refuses to furnish the Performance Security, in accordance with the Instruction to Bidders; or
  - (c) does not accept the correction of the Bid Price,

\* The Bidder should insert the amount of the Guarantee in words and figures denominated in Maldivian Rufiyaa. This figure should be the same as shown in Clause 3.1 of the Instructions to Bidders.

we undertake to pay to the Employer up to the above amount upon receipt of his first written demand, without the Employer’s having to substantiate his demand, provided that in his demand the Employer will note that the amount claimed by him is due to him owing to the occurrence of one or any of the three conditions, specifying the occurred condition or conditions.

This Guarantee will remain in force up to and including the date ..... days after the deadline for submission of bids as such deadline is stated in the Instructions to Bidders or as it may be extended by the Employer, notice of which extension(s) to the Bank is hereby waived. Any demand in respect of this Guarantee should reach the Bank not later than the above date.

DATE..... SIGNATURE OF THE BANK  
WITNESS ..... SEAL  
[signature, name, and address]

### Performance Security

[The bank, as requested by the successful Bidder, shall fill in this form in accordance with the instructions indicated]  
[Guarantor letterhead or SWIFT identifier code]

**Beneficiary:** *[insert name and Address of Purchaser]*

**Date:** *[Insert date of issue]*

**PERFORMANCE GUARANTEE No.:** *[Insert guarantee reference number]*

**Guarantor:** *[Insert name and address of place of issue, unless indicated in the letterhead]*

We have been informed that *\_ [insert name of Supplier, which in the case of a joint venture shall be the name of the joint venture]* (hereinafter called "the Applicant") has entered into Contract No. *[insert reference number of the contract]* dated *[insert date]* with the Beneficiary, for the supply of *\_ [insert name of contract and brief description of Goods and related Services]* (hereinafter called "the Contract").

Furthermore, we understand that, according to the conditions of the Contract, a performance guarantee is required.

At the request of the Applicant, we as Guarantor, hereby irrevocably undertake to pay the Beneficiary any sum or sums not exceeding in total an amount of *[insert amount in figures]* ( *\_\_\_\_\_* ) *[insert amount in words]*,<sup>1</sup> such sum being payable in the types and proportions of currencies in which the Contract Price is payable, upon receipt by us of the Beneficiary's complying demand supported by the Beneficiary's statement, whether in the demand itself or in a separate signed document accompanying or identifying the demand, stating that the Applicant is in breach of its obligation(s) under the Contract, without the Beneficiary needing to prove or to show grounds for your demand or the sum specified therein.

This guarantee shall expire, no later than the .... Day of ....., 2...<sup>2</sup>, and any demand for payment under it must be received by us at this office indicated above on or before that date.

This guarantee is subject to the Uniform Rules for Demand Guarantees (URDG) 2010 Revision, ICC Publication No. 758, except that the supporting statement under Article 15(a) is hereby excluded.

\_\_\_\_\_  
*[signature(s)]*

- 1 The Guarantor shall insert an amount representing the percentage of the Accepted Contract Amount specified in the Letter of Acceptance/Letter/Note/Mail, and denominated either in the currency (ies) of the Contract or a freely convertible currency acceptable to the Beneficiary.*
- 2 Insert the date sixty days after the expected completion date as described in Clause 4.2. The Purchaser should note that in the event of an extension of this date for completion of the Contract, the Purchaser would need to request an extension of this guarantee from the Guarantor. Such request must be <sup>2</sup> Insert the date sixty days after the expected completion date. The Purchaser should note that in the event of an extension of this date for completion of the Contract, the Purchaser would need to request an extension of this guarantee from the Guarantor. Such request must be in writing and must be made prior to the expiration date established in the guarantee. In preparing this guarantee, the Purchaser might consider adding the following text to the form, at the end of the penultimate paragraph: "The Guarantor agrees to a one-time extension of this guarantee for a period not to exceed [six months] [one year], in response to the Beneficiary's written request for such extension, such request to be presented to the Guarantor before the expiry of the guarantee."*

*Note: All italicized text (including footnotes) is for use in preparing this form and shall be deleted from the final product.*

**Advance Payment Security  
Demand Guarantee**

[Guarantor letterhead or SWIFT identifier code]

**Beneficiary:** \_ [Insert name and Address of Purchaser]

**Date:** \_ [Insert date of issue]

**ADVANCE PAYMENT GUARANTEE No.:** \_ [Insert guarantee reference number]

**Guarantor:** \_ [Insert name and address of place of issue, unless indicated in the letterhead]

We have been informed that [insert name of Supplier, which in the case of a joint venture shall be the name of the joint venture] (hereinafter called "the Applicant") has entered into Contract No. [insert reference number of the contract] dated [insert date] with the Beneficiary, for the execution of [insert name of contract and brief description of Goods and related Services] (hereinafter called "the Contract").

Furthermore, we understand that, according to the conditions of the Contract, an advance payment in the sum [insert amount in figures] ( ) [insert amount in words] is to be made against an advance payment guarantee.

At the request of the Applicant, we as Guarantor, hereby irrevocably undertake to pay the Beneficiary any sum or sums not exceeding in total an amount of [insert amount in figures] ( ) [insert amount in words]<sup>1</sup> upon receipt by us of the Beneficiary's complying demand supported by the Beneficiary's statement, whether in the demand itself or in a separate signed document accompanying or identifying the demand, stating either that the Applicant:

- (a) has used the advance payment for purposes other than toward delivery of Goods; or
- (b) has failed to repay the advance payment in accordance with the Contract conditions, specifying the amount which the Applicant has failed to repay.

A demand under this guarantee may be presented as from the presentation to the Guarantor of a certificate from the Beneficiary's bank stating that the advance payment referred to above has been credited to the Applicant on its account number [insert number] at [insert name and address of Applicant's bank].


The maximum amount of this guarantee shall be progressively reduced by the amount of the advance payment repaid by the Applicant as specified in copies of interim statements or payment certificates which shall be presented to us. This guarantee shall expire, at the latest, upon our receipt of a copy of the interim payment certificate indicating that ninety (90) percent of the Accepted Contract Amount, has been certified for payment, or on the [insert day] day of [insert month], 2 [insert year], whichever is earlier. Consequently, any demand for payment under this guarantee must be received by us at this office on or before that date.

This guarantee is subject to the Uniform Rules for Demand Guarantees (URDG) 2010 Revision, ICC Publication No.758, except that the supporting statement under Article 15(a) is hereby excluded.

\_\_\_\_\_  
[signature(s)]

<sup>1</sup> The Guarantor shall insert an amount representing the amount of the advance payment and denominated either in the currency(ies) of the advance payment as specified in the Contract, or in a freely convertible currency acceptable to the Purchaser.

*Note: All italicized text (including footnotes) is for use in preparing this form and shall be deleted from the final product.*

  
ދިވެހި ސަރުކާރުގެ ގެޒެޓްގައި ބަޔާންކުރި ގޮތުގައި  
ސަރުކާރުގެ ގެޒެޓްގައި ބަޔާންކުރި ގޮތުގައި

(ސަރުކާރުގެ ގެޒެޓްގައި ބަޔާންކުރި ގޮތުގައި) ގޮތުގައި ބަޔާންކުރި ގޮތުގައި  
އެ ގޮތުގައި ބަޔާންކުރި ގޮތުގައި ބަޔާންކުރި ގޮތުގައި

ސަރުކާރުގެ ގެޒެޓްގައި ބަޔާންކުރި ގޮތުގައި  
ސަރުކާރުގެ ގެޒެޓްގައި ބަޔާންކުރި ގޮތުގައި































ސަރުކާރުގެ ނިންމުމަކީ ސަރުކާރުގެ ނިންމުމެވެ. ސަރުކާރުގެ ނިންމުމަކީ ސަރުކާރުގެ ނިންމުމެވެ. ސަރުކާރުގެ ނިންމުމަކީ ސަރުކާރުގެ ނިންމުމެވެ.

6.8 ޖުމްހޫރިއްޔާގެ ސަރުކާރުގެ ނިންމުމަކީ ސަރުކާރުގެ ނިންމުމެވެ. ސަރުކާރުގެ ނިންމުމަކީ ސަރުކާރުގެ ނިންމުމެވެ. ސަރުކާރުގެ ނިންމުމަކީ ސަރުކާރުގެ ނިންމުމެވެ.

6.9 ޖުމްހޫރިއްޔާގެ ސަރުކާރުގެ ނިންމުމަކީ ސަރުކާރުގެ ނިންމުމެވެ. ސަރުކާރުގެ ނިންމުމަކީ ސަރުކާރުގެ ނިންމުމެވެ. ސަރުކާރުގެ ނިންމުމަކީ ސަރުކާރުގެ ނިންމުމެވެ.

6.10 ޖުމްހޫރިއްޔާގެ ސަރުކާރުގެ ނިންމުމަކީ ސަރުކާރުގެ ނިންމުމެވެ. ސަރުކާރުގެ ނިންމުމަކީ ސަރުކާރުގެ ނިންމުމެވެ. ސަރުކާރުގެ ނިންމުމަކީ ސަރުކާރުގެ ނިންމުމެވެ.

6.11 ޖުމްހޫރިއްޔާގެ ސަރުކާރުގެ ނިންމުމަކީ ސަރުކާރުގެ ނިންމުމެވެ. ސަރުކާރުގެ ނިންމުމަކީ ސަރުކާރުގެ ނިންމުމެވެ. ސަރުކާރުގެ ނިންމުމަކީ ސަރުކާރުގެ ނިންމުމެވެ.

























**ඉදිරිපත් කිරීමේ කොටස**

**ඉදිරිපත් කිරීමේ කොටස**

▪ **ඉදිරිපත් කිරීමේ කොටස**

T701 - 01 මුද්දර කැබලි සඳහා 13 ක්ෂේත්‍රයේ ඉදිරිපත් කිරීම.

T701 - 02 මුද්දර කැබලි සඳහා ඉදිරිපත් කිරීමේ කොටස (ඉදිරිපත් කිරීමේ කොටස) සඳහා ඉදිරිපත් කිරීමේ කොටස.

▪ **SPECIFICATION**

- Frame: Aluminum (Marine grade)
- Glass type: TOUGHNED SAFETY GLASS
- Thickness of glass: 10mm
- Method of fixing: Bolts and nuts
- Standard: Water Tight
- Warranty: Minimum 1 Year for Glass Panel and Fixing

▪ Necessary Drawings are attached as Per the Location and Figure Numbers Below

1	WHEELHOUSE FRONT WINDOW PORT 1. Fig: 1
2	WHEELHOUSE FRONT WINDOW PORT 2. Fig: 2
3	WHEELHOUSE FRONT WINDOW STBD 1. Fig: 3
4	WHEELHOUSE FRONT WINDOW STBD 2. Fig: 4
5	WHEELHOUSE SIDE WINDOW PORT 1. Fig: 5
6	WHEELHOUSE SIDE WINDOW STBD 1. Fig:6
7	WHEELHOUSE SIDE WINDOW PORT 2. Fig: 7
8	WHEELHOUSE SIDE WINDOW STBD 2. Fig: 8
9	WHEELHOUSE SIDE WINDOW PORT 3. Fig: 9
10	WHEELHOUSE SIDE WINDOW STBD 3. Fig: 10
11	GALLEY SIDE WINDOW PORT 1. Fig: 11
12	MESS SIDE WINDOW STBD 1. Fig: 12
13	MESS ROOM AFT WINDOW 1. Fig: 13

▪ **ඉදිරිපත් කිරීමේ කොටස**

- ඉදිරිපත් කිරීමේ කොටස
- ඉදිරිපත් කිරීමේ කොටස
- ඉදිරිපත් කිරීමේ කොටස
- ඉදිරිපත් කිරීමේ කොටස
- ඉදිරිපත් කිරීමේ කොටස

මෙහි: ඉදිරිපත් කිරීමේ කොටස ඉදිරිපත් කිරීමේ කොටස ඉදිරිපත් කිරීමේ කොටස.

Fig. 1

WHEELHOUSE FRONT WINDOW PORT 1

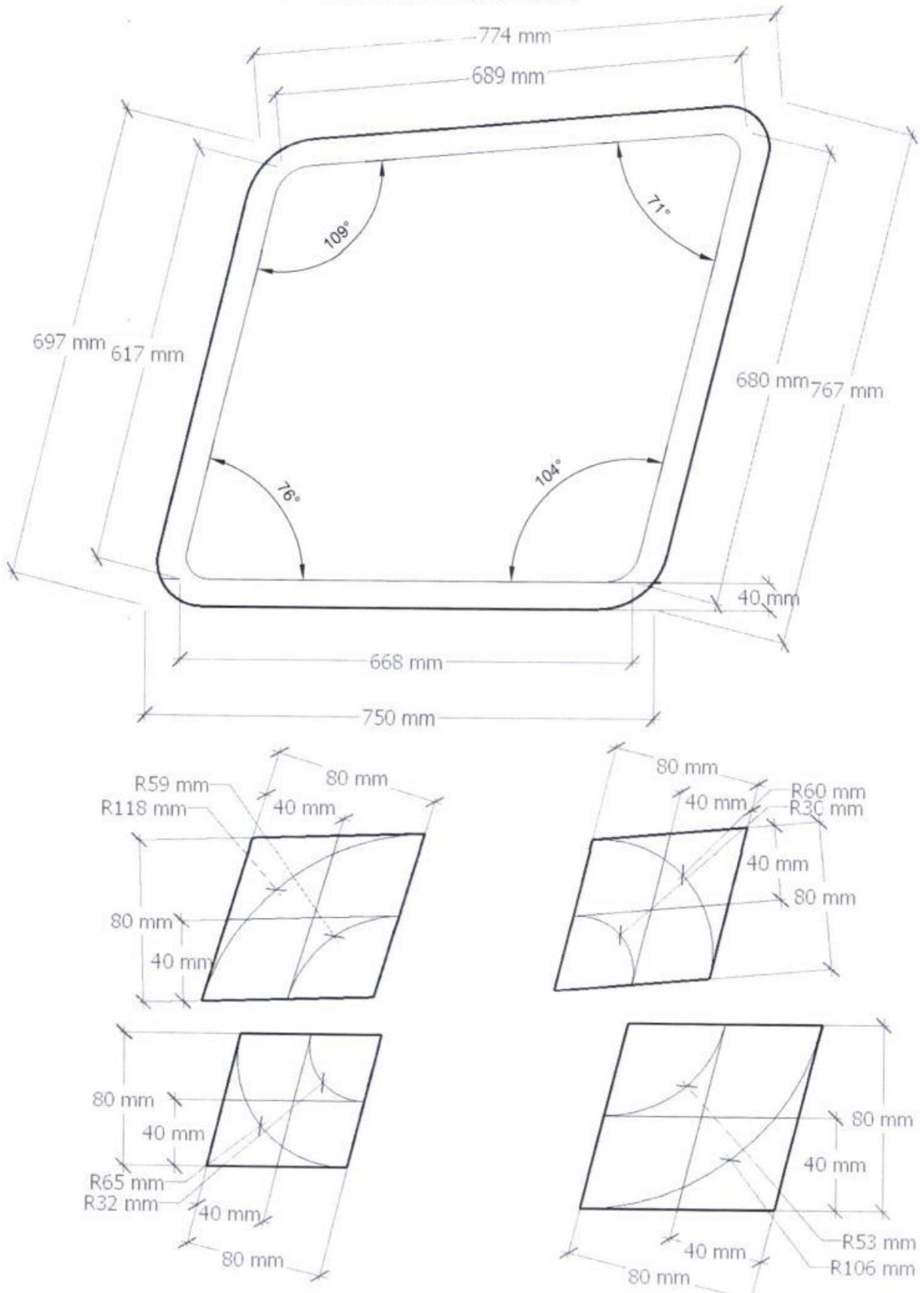


Fig. 02

WHEELHOUSE FRONT WINDOW PORT 2

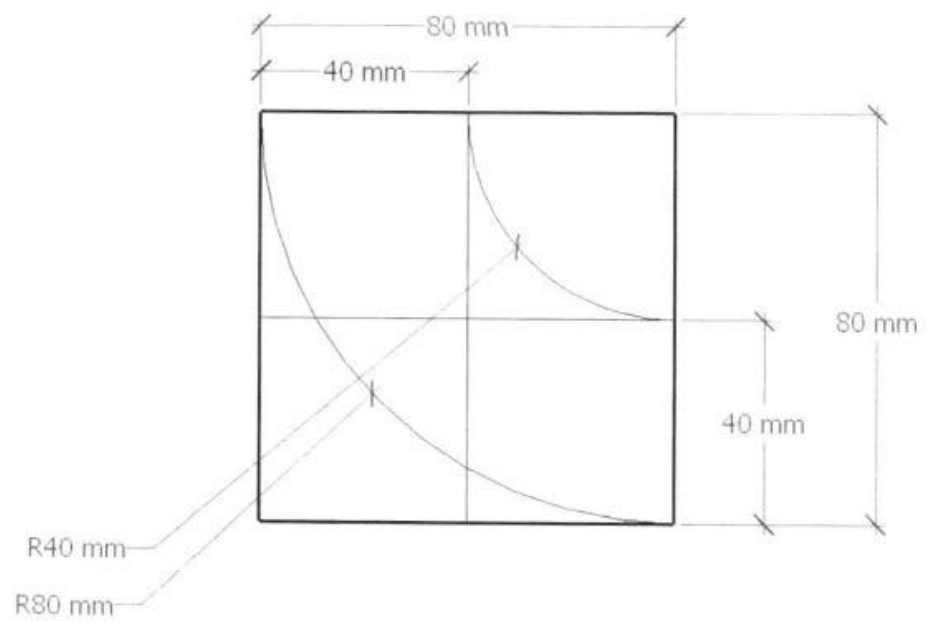
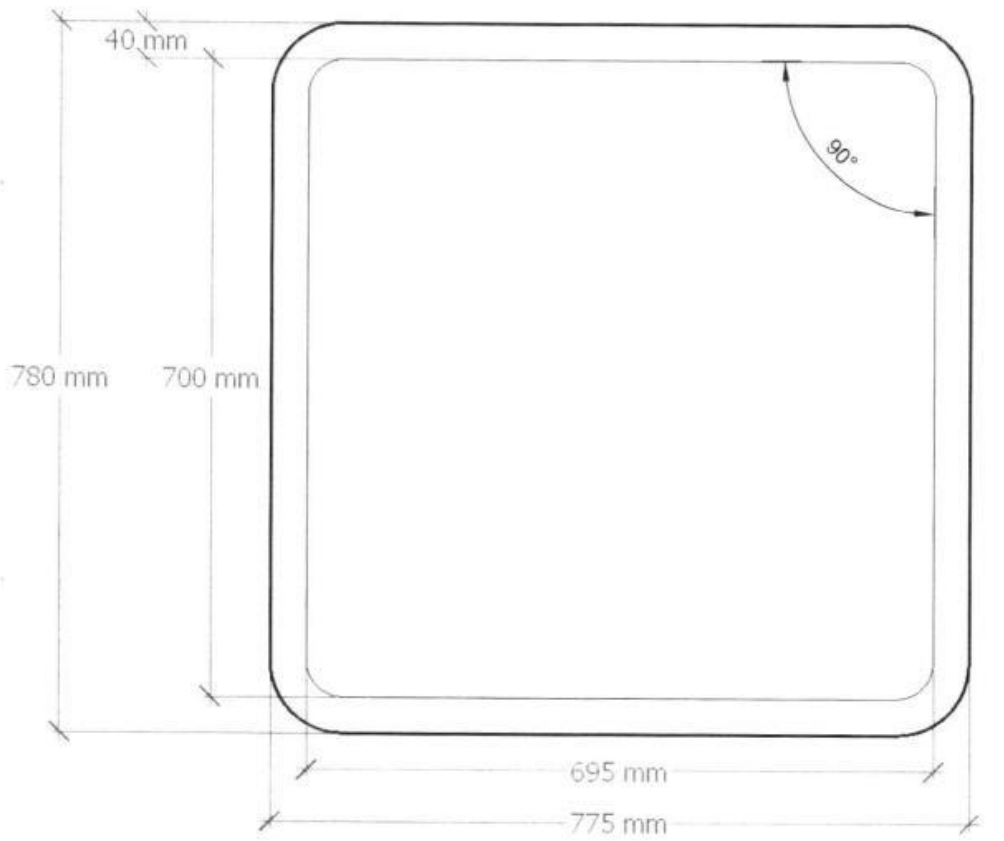


Fig. 3

WHEELHOUSE FRONT WINDOW STBD 1

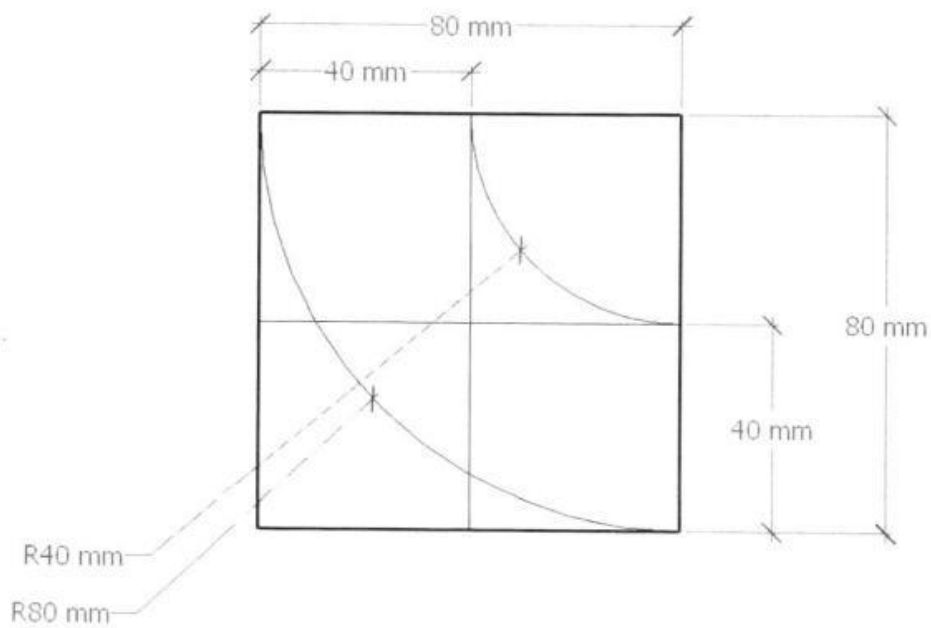
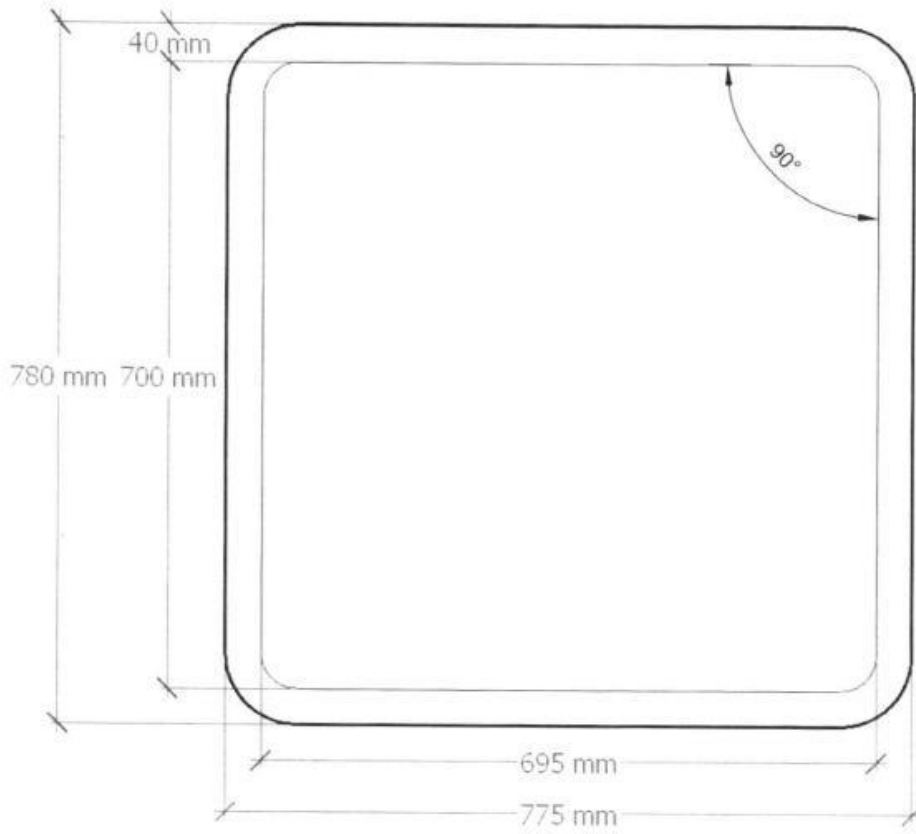


Fig. 4

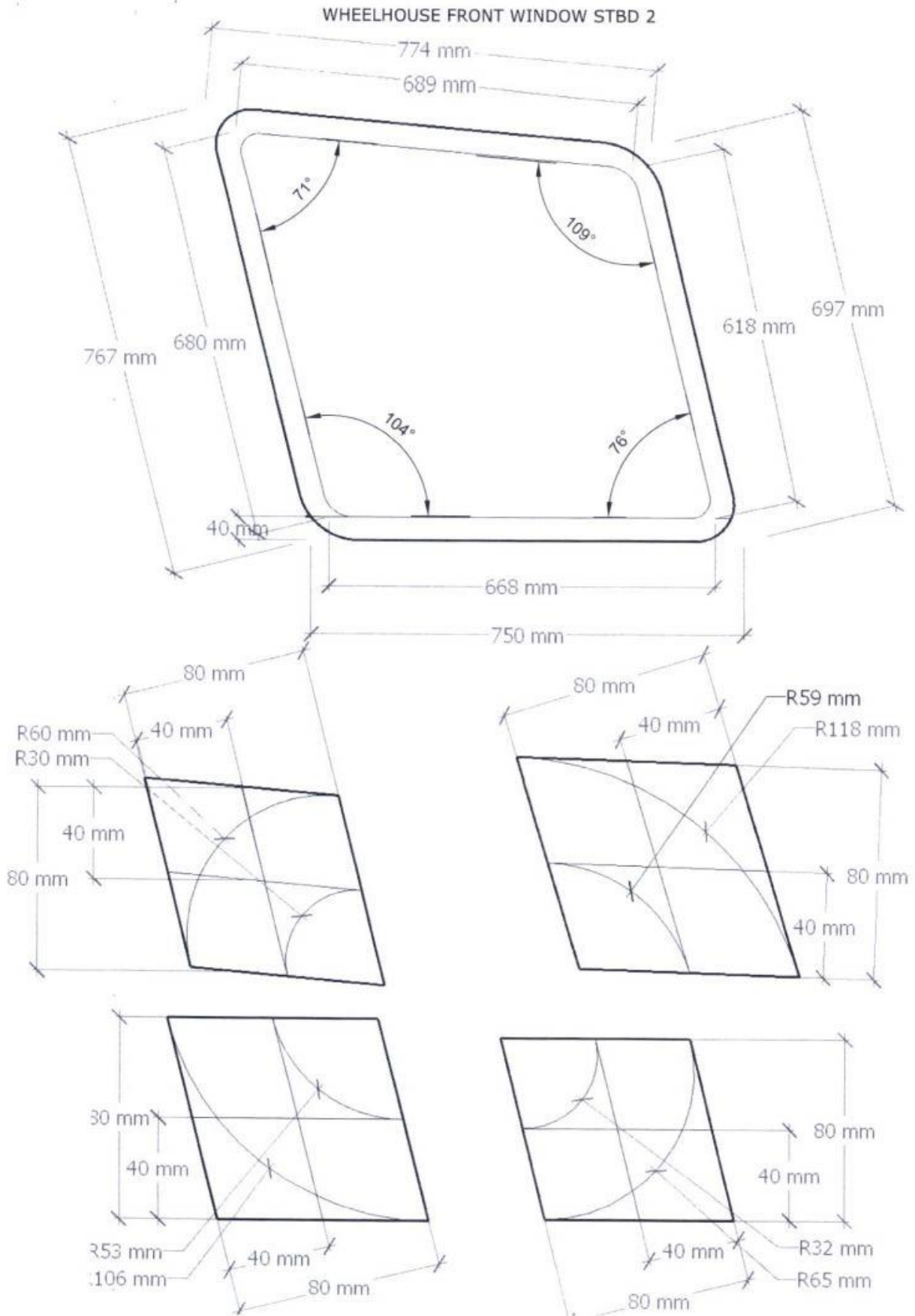


Fig. 5

WHEELHOUSE SIDE WINDOW PORT 1

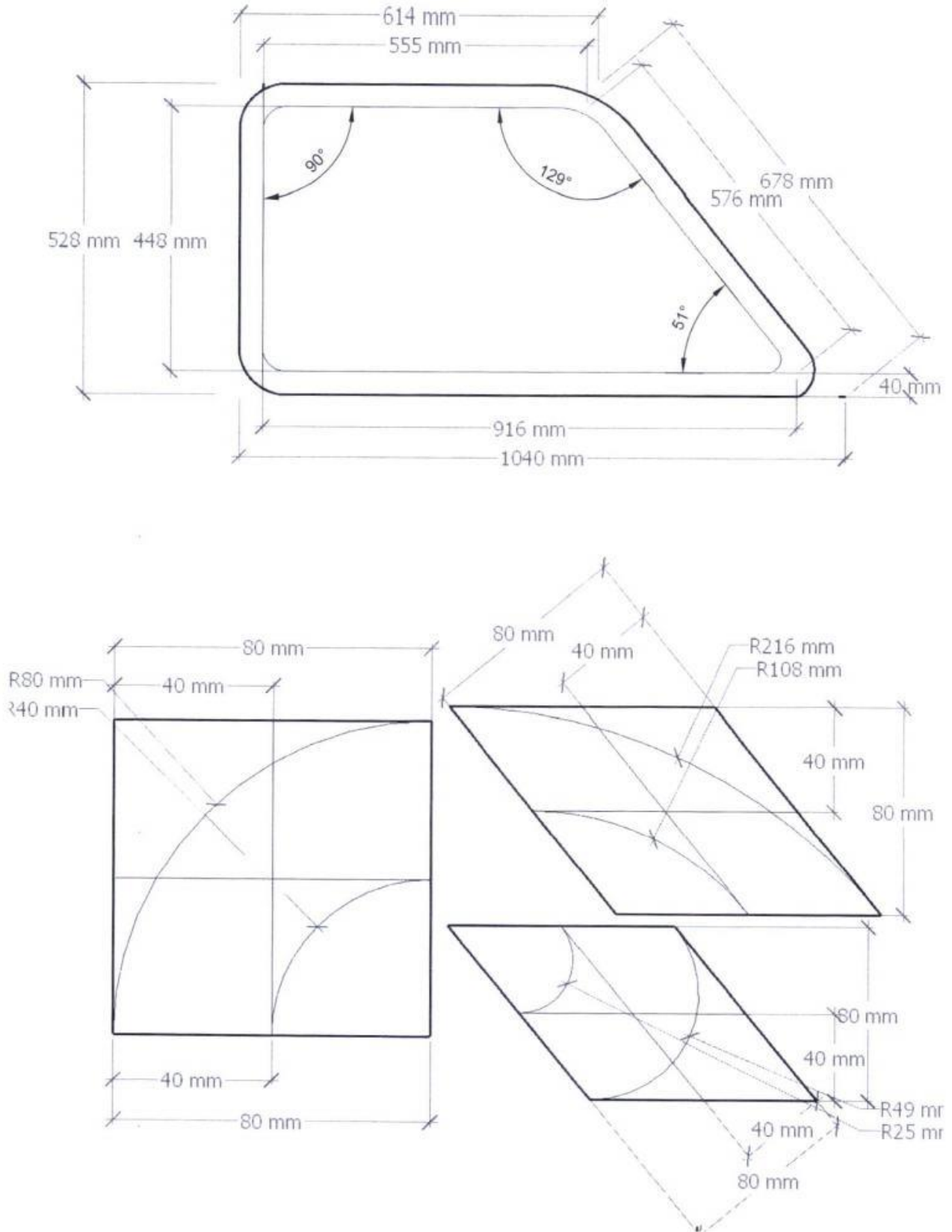




Fig. 6

WHEELHOUSE SIDE WINDOW STBD 1

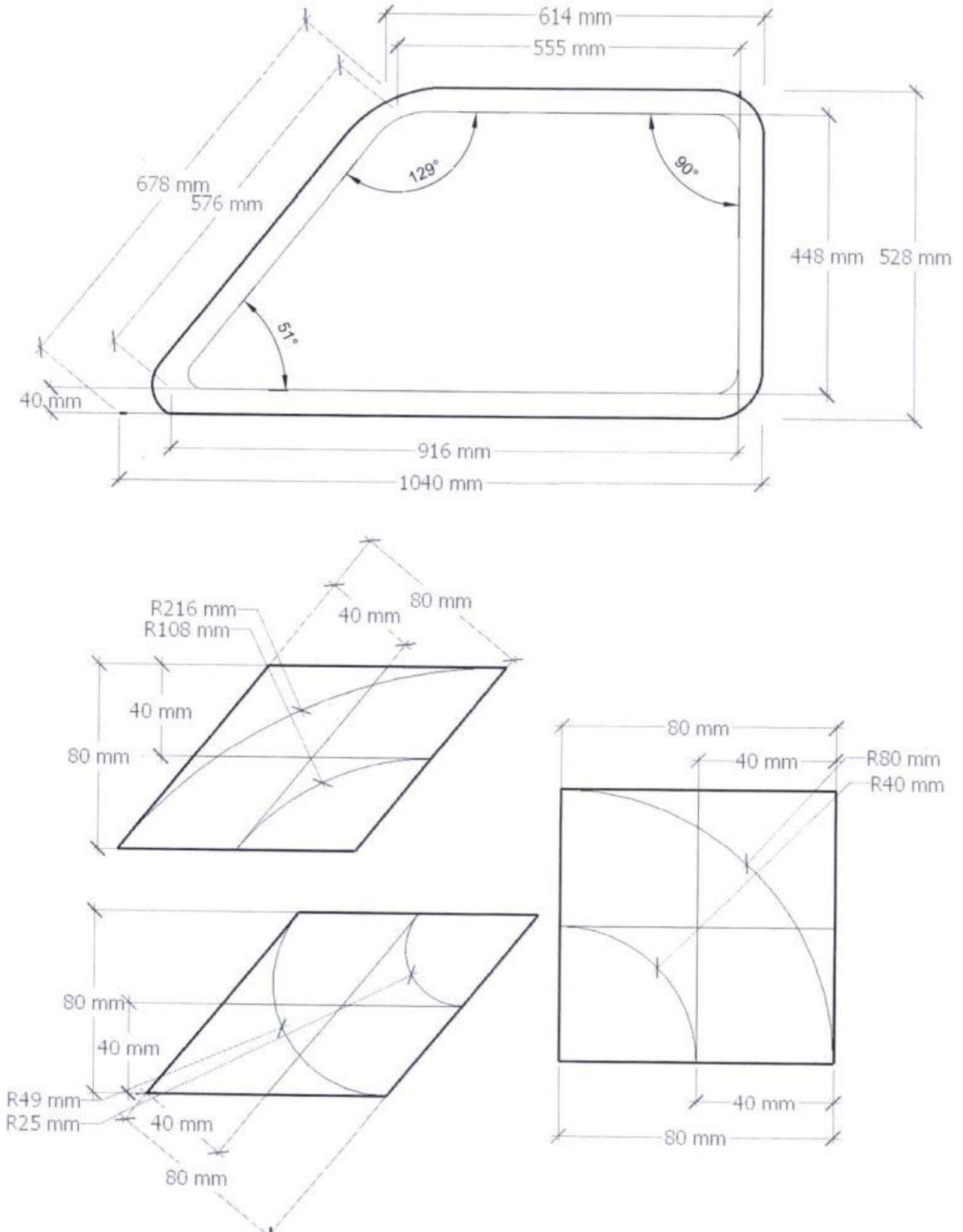




Fig. 7

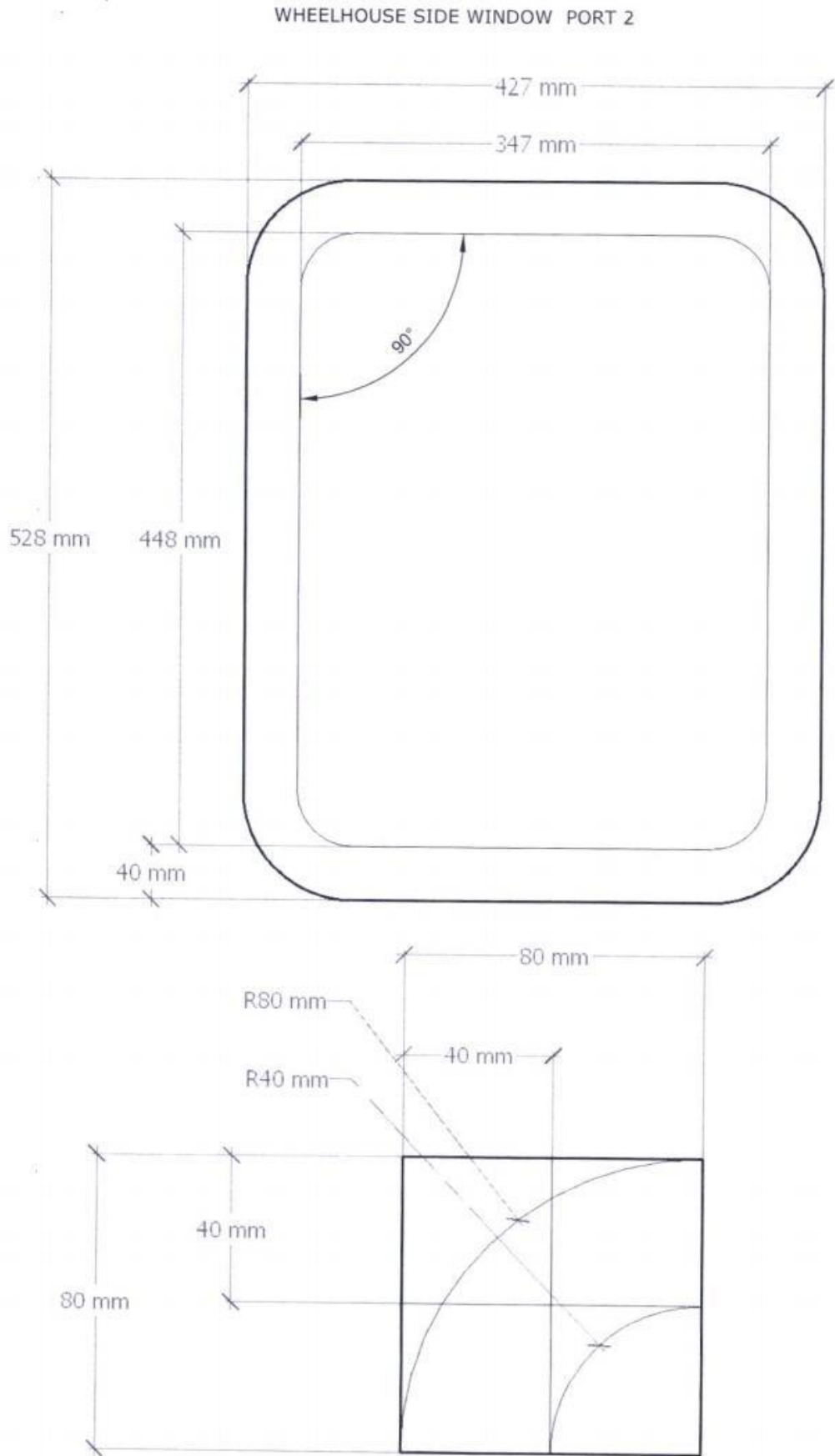


Fig. 8

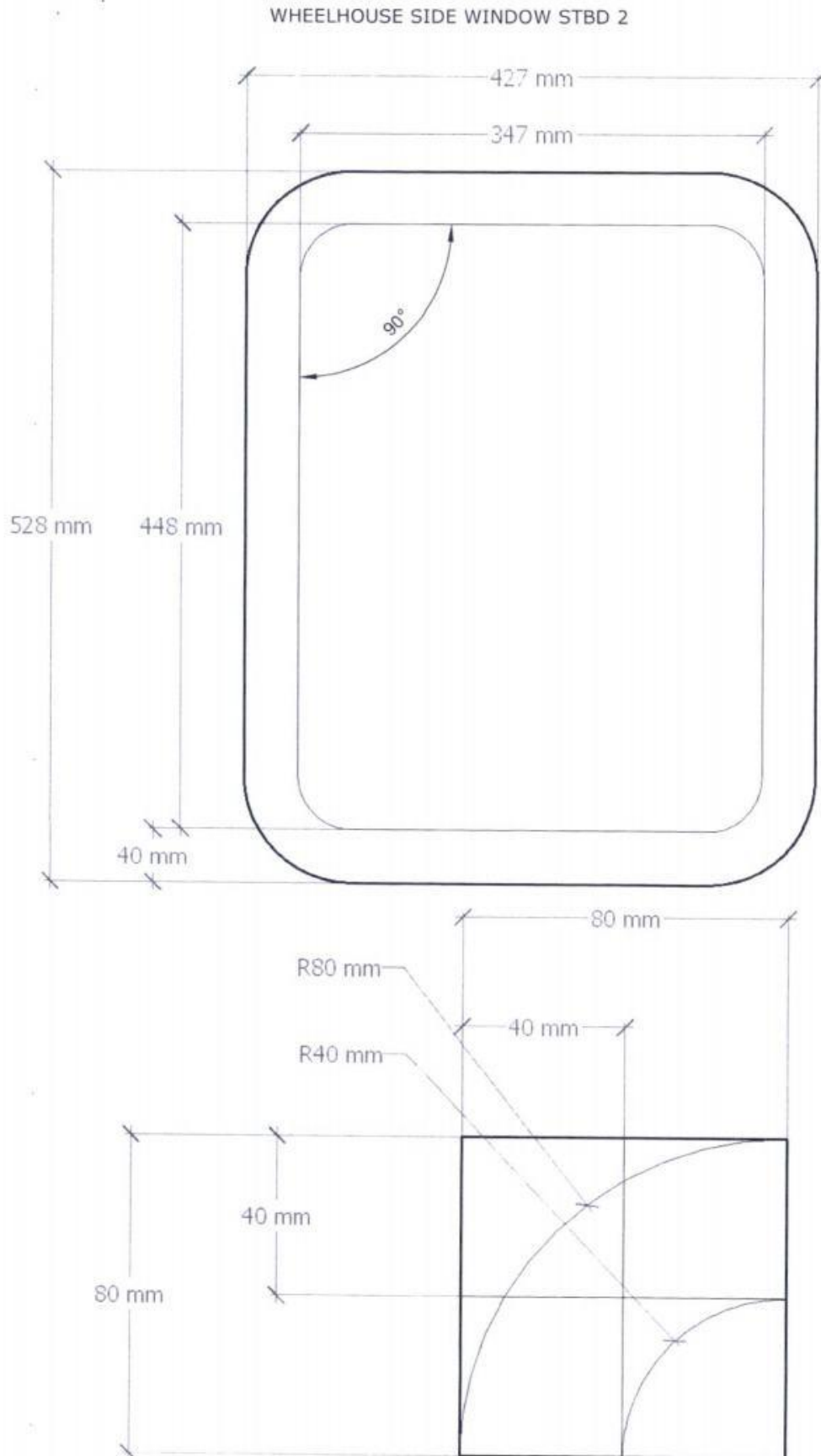


Fig. 9

WHEELHOUSE SIDE WINDOW PORT 3

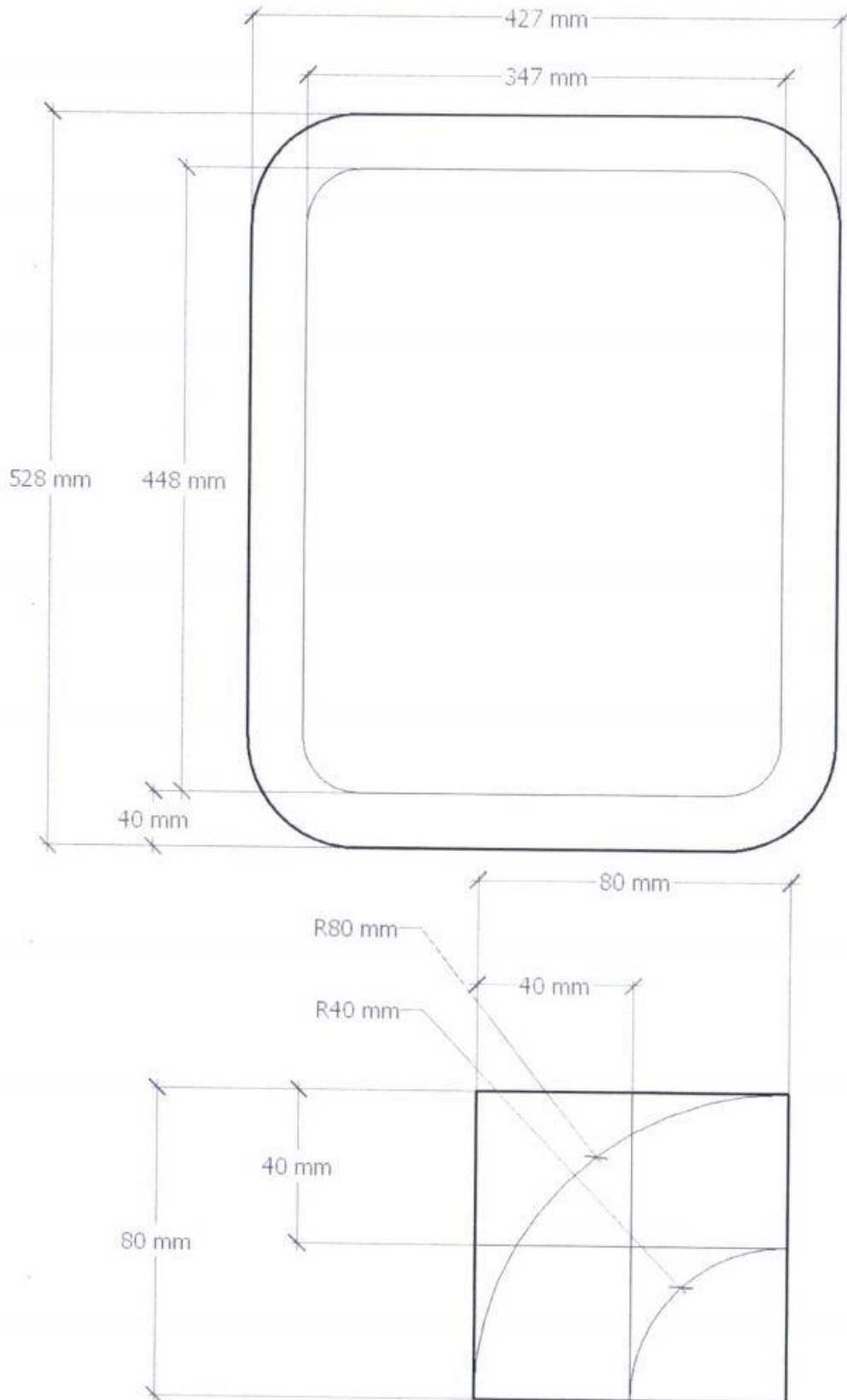


Fig. 10

WHEELHOUSE SIDE WINDOW STBD 3

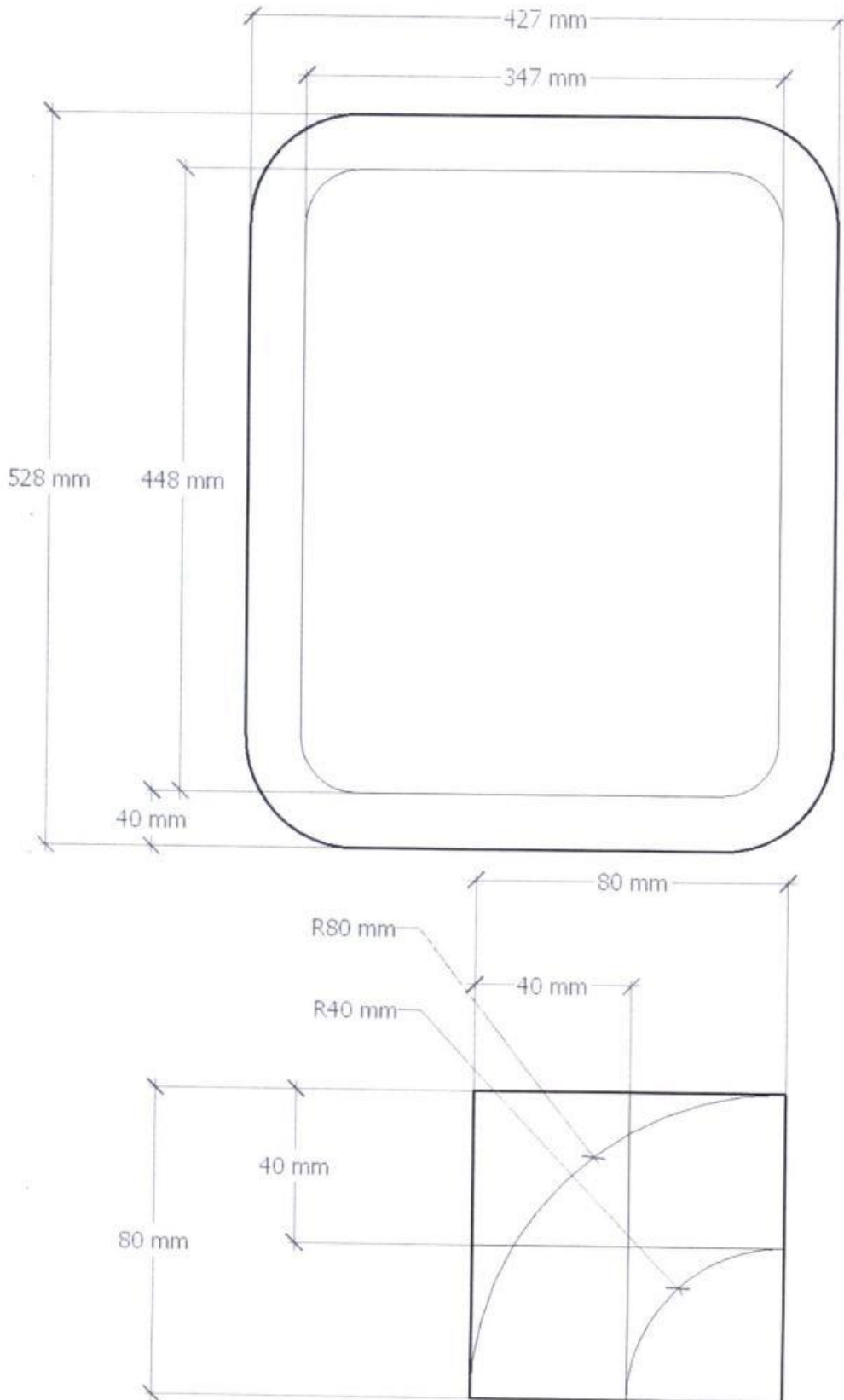


Fig. 11

GALLEY SIDE WINDOW PORT 1

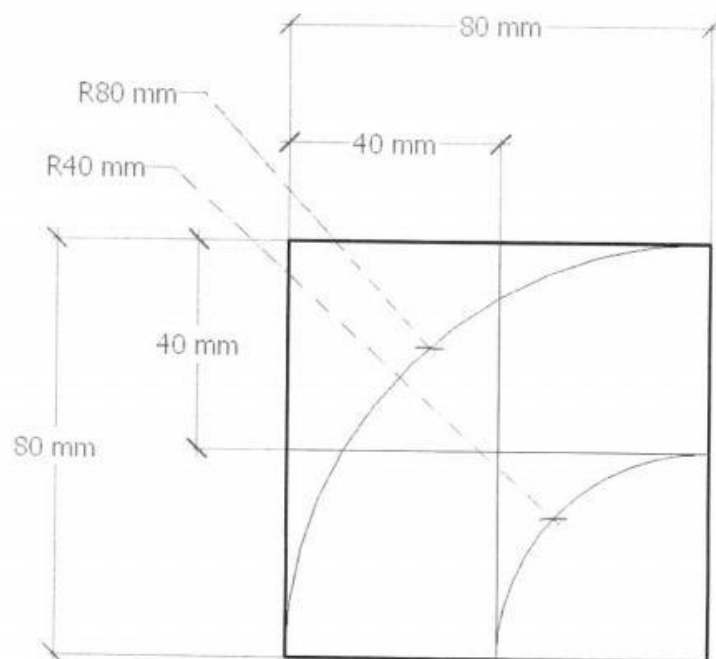
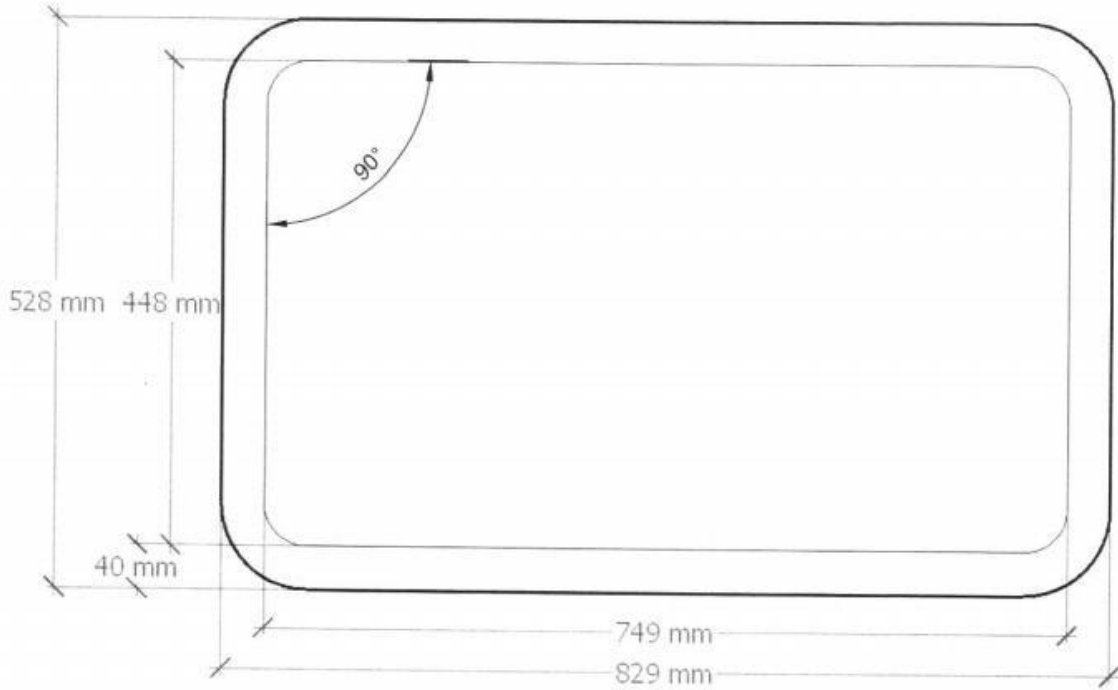


Fig. 12

MESS SIDE WINDOW STBD 1

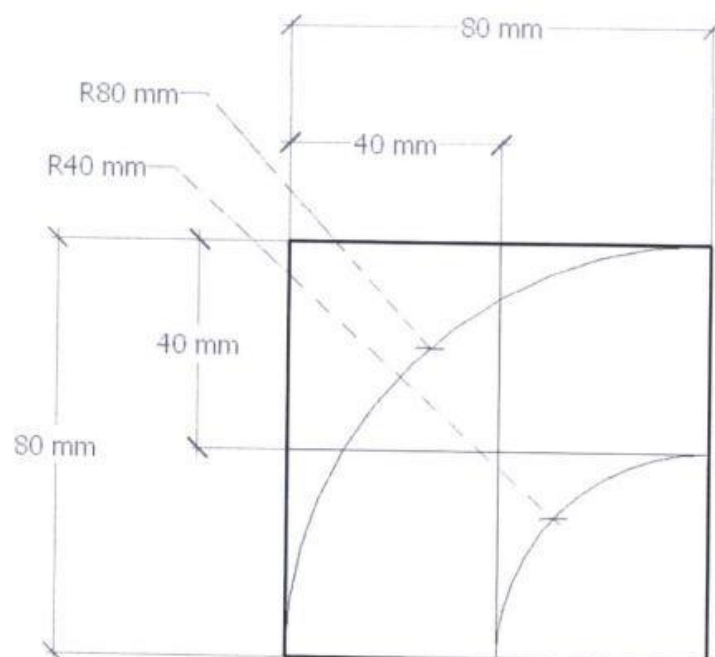
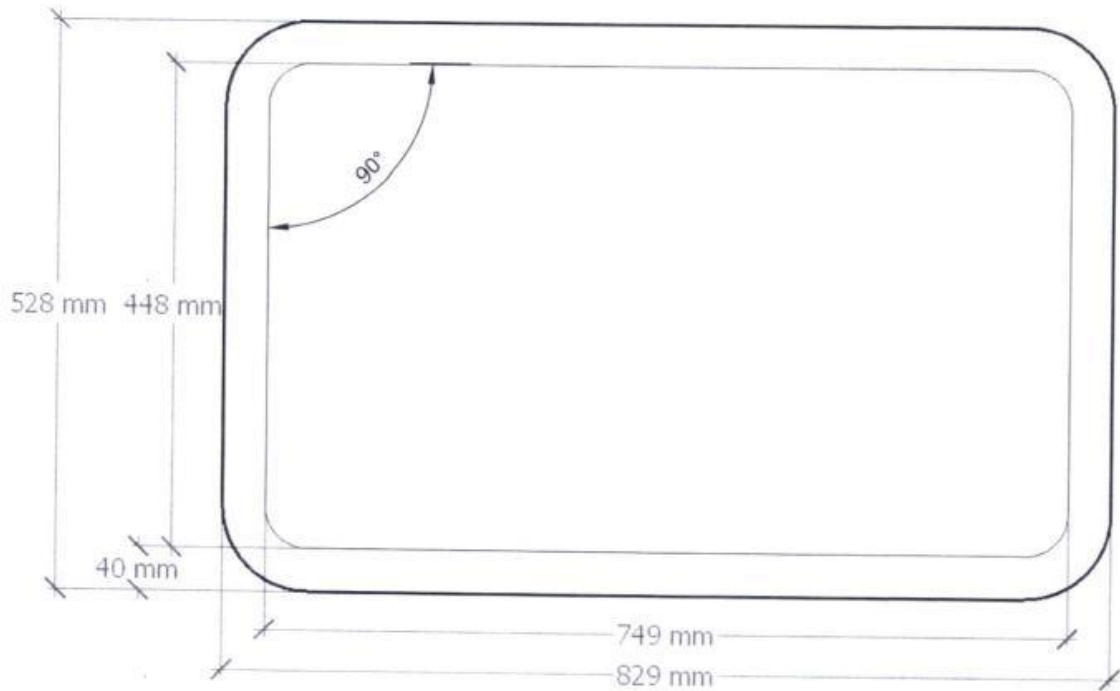


Fig. 13

MESS ROOM AFT WINDOW 1

