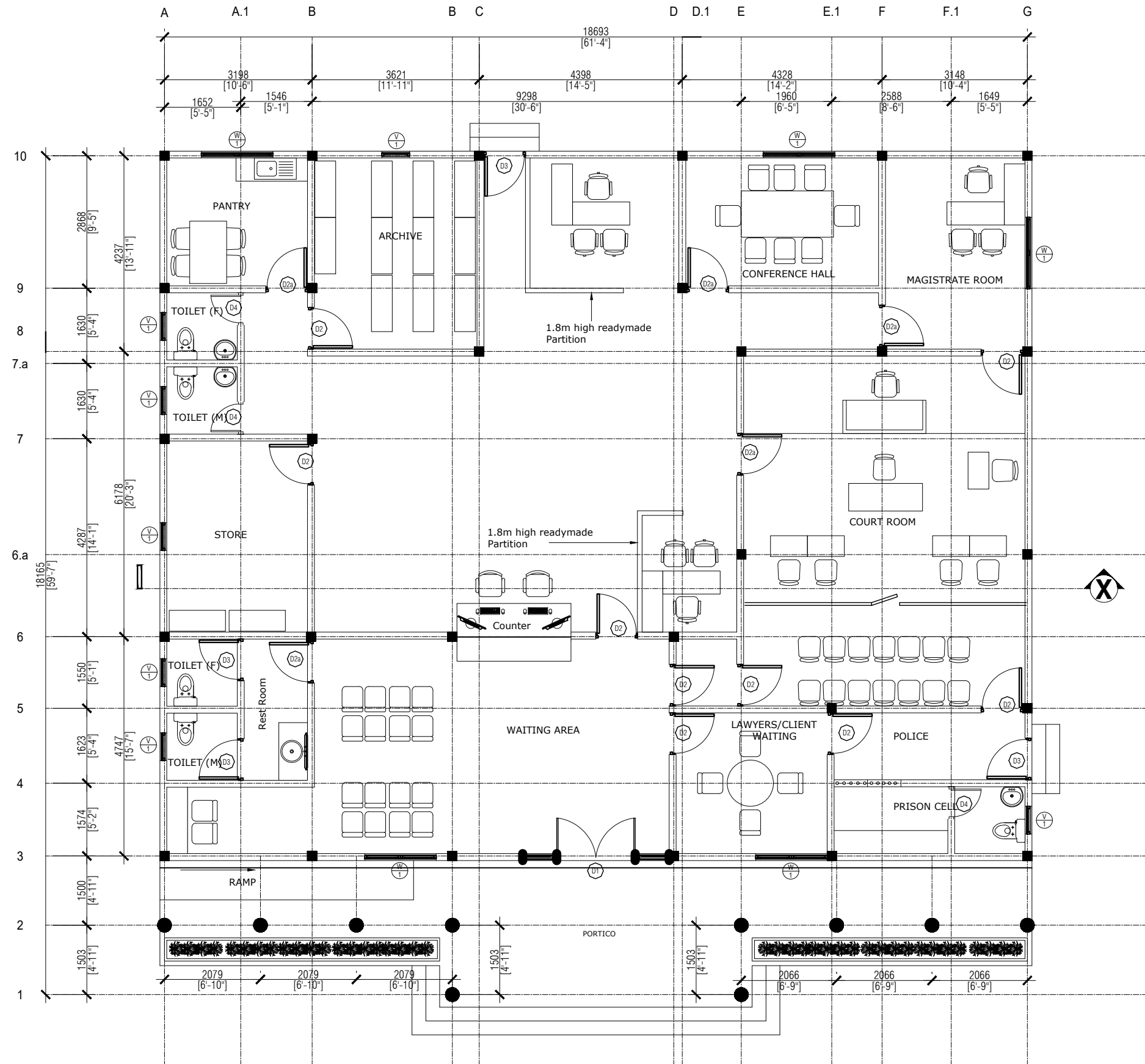
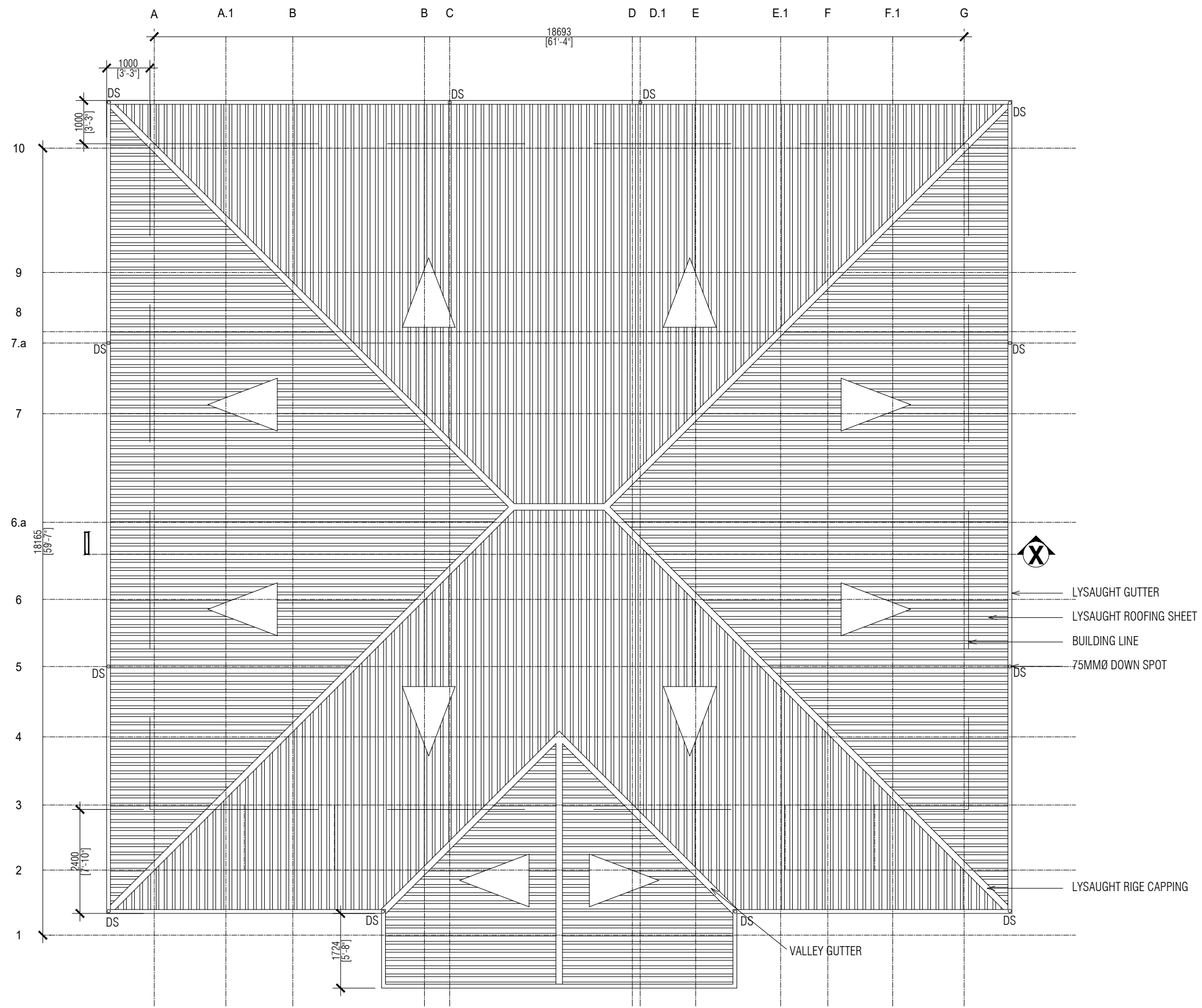


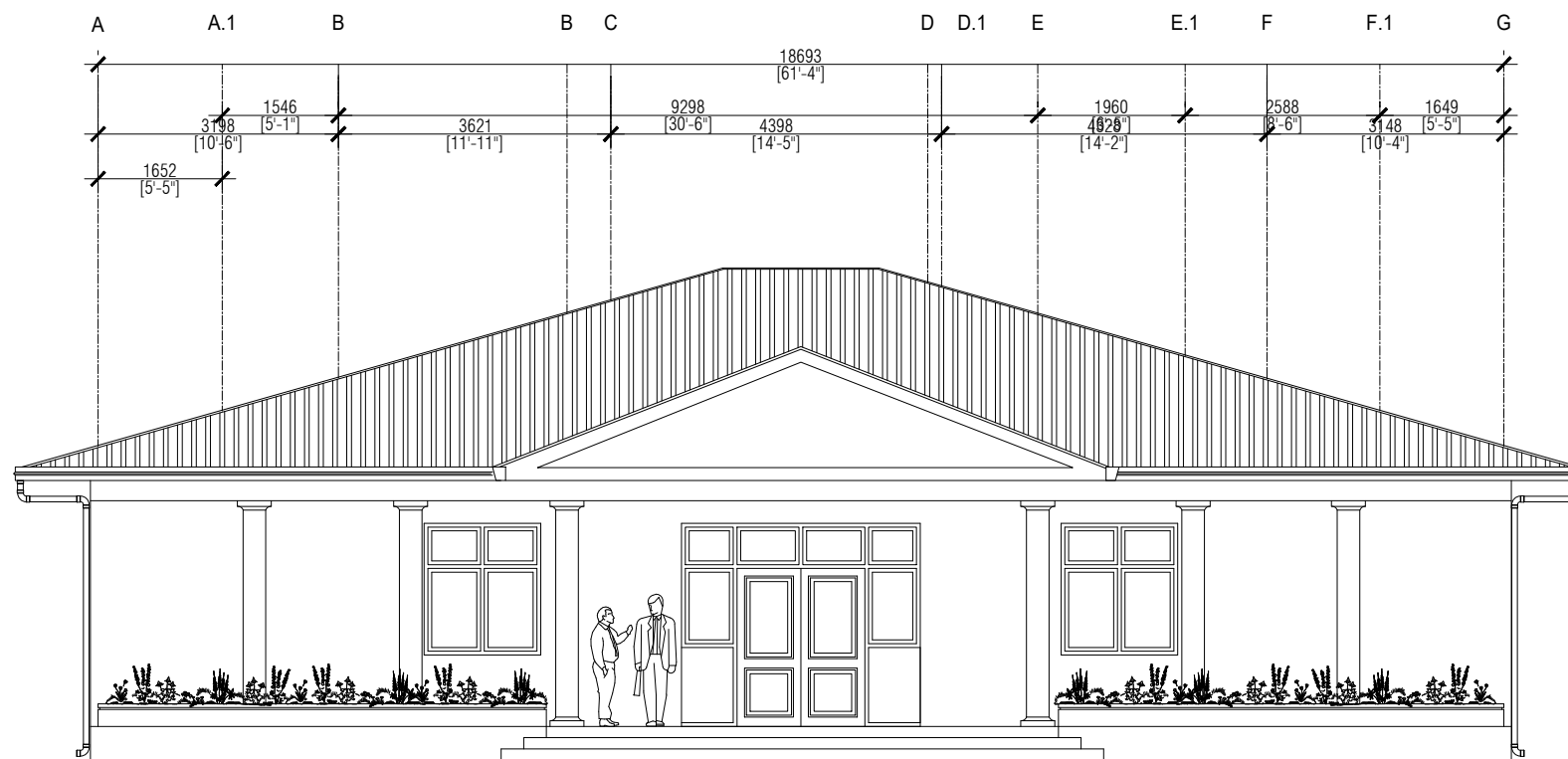
SITE PLAN  
Scale 1:100



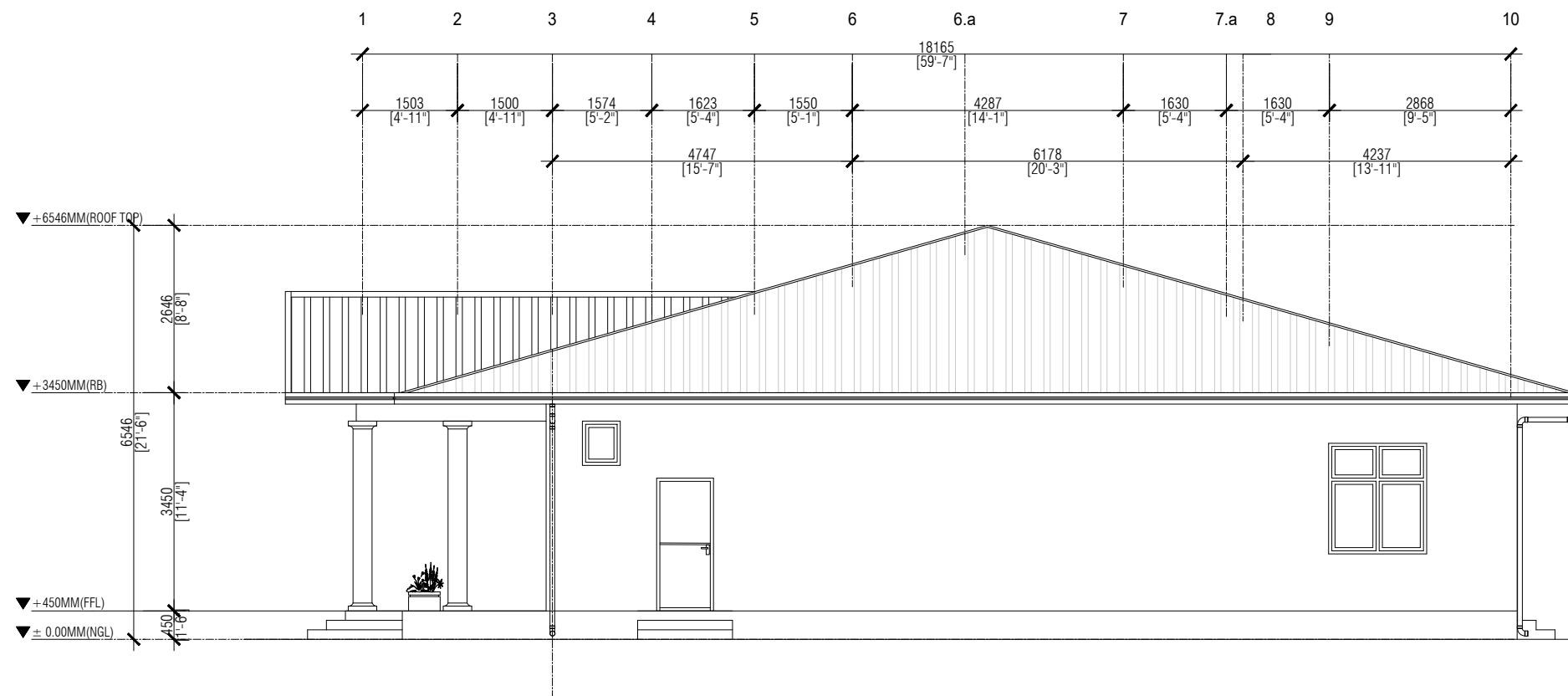
FLOOR PLAN  
Scale 1:100



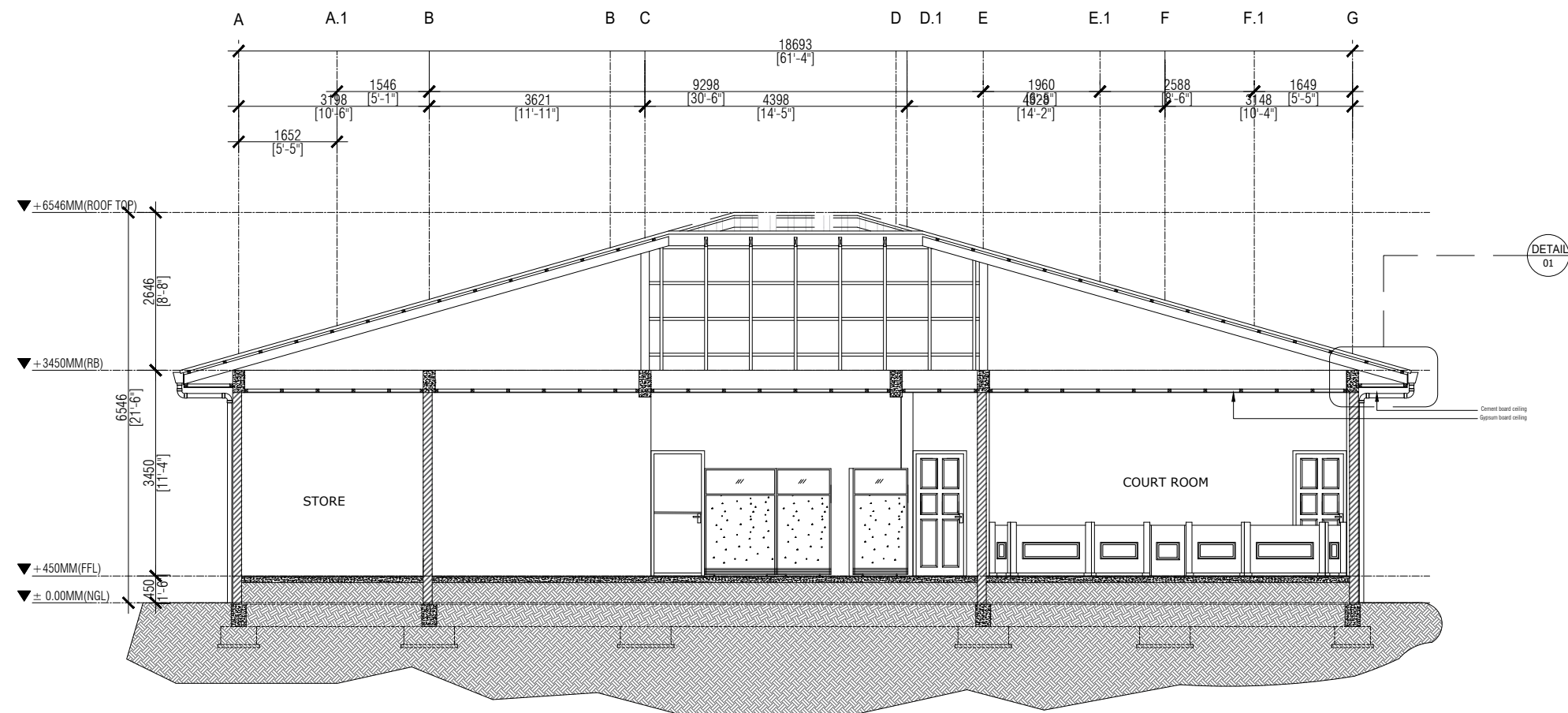
ROOF PLAN  
Scale 1:100



FRONT ELEVATION  
Scale 1:100



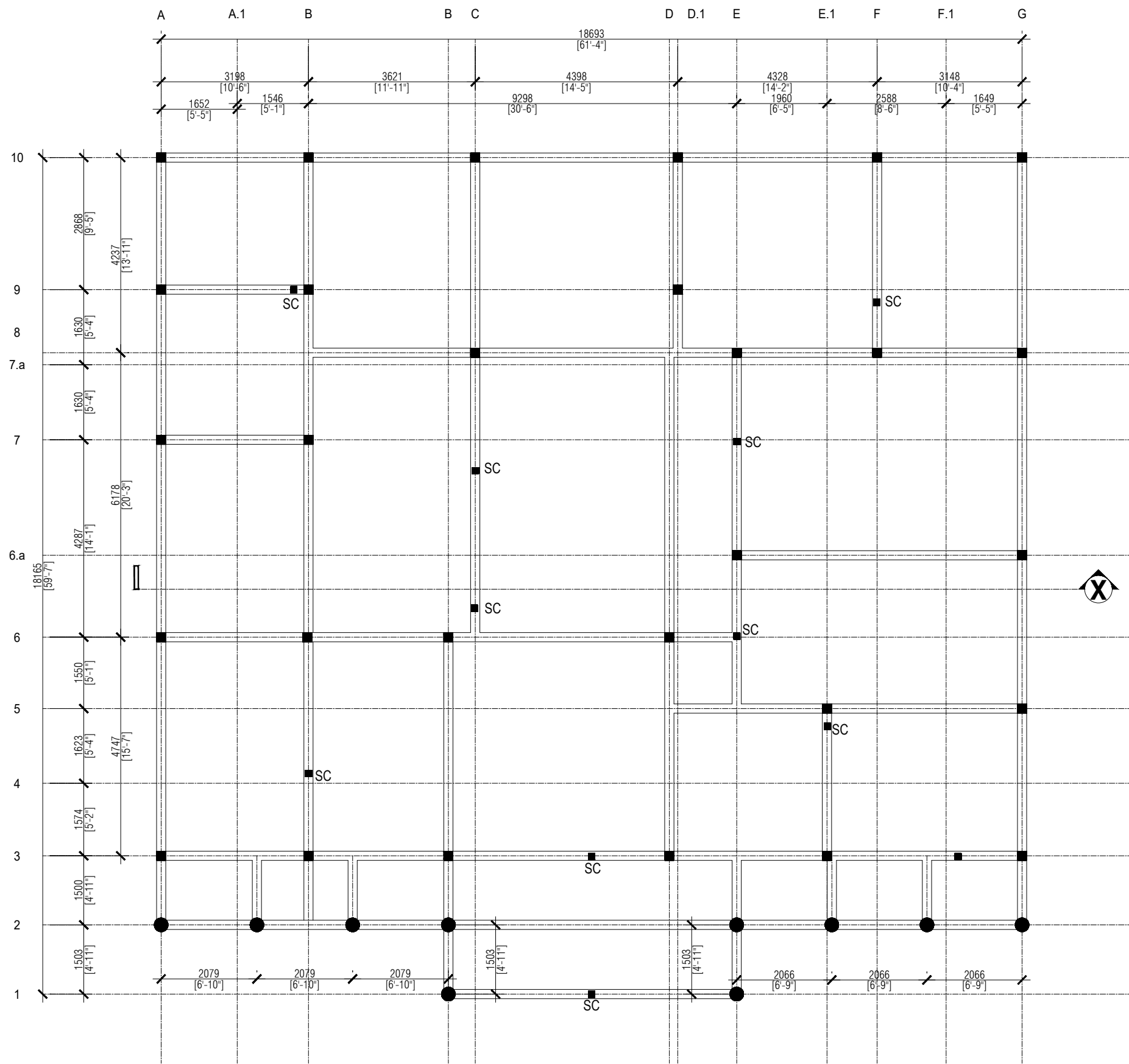
SIDE ELEVATION  
Scale 1:100



SECTION Y  
Scale 1:100

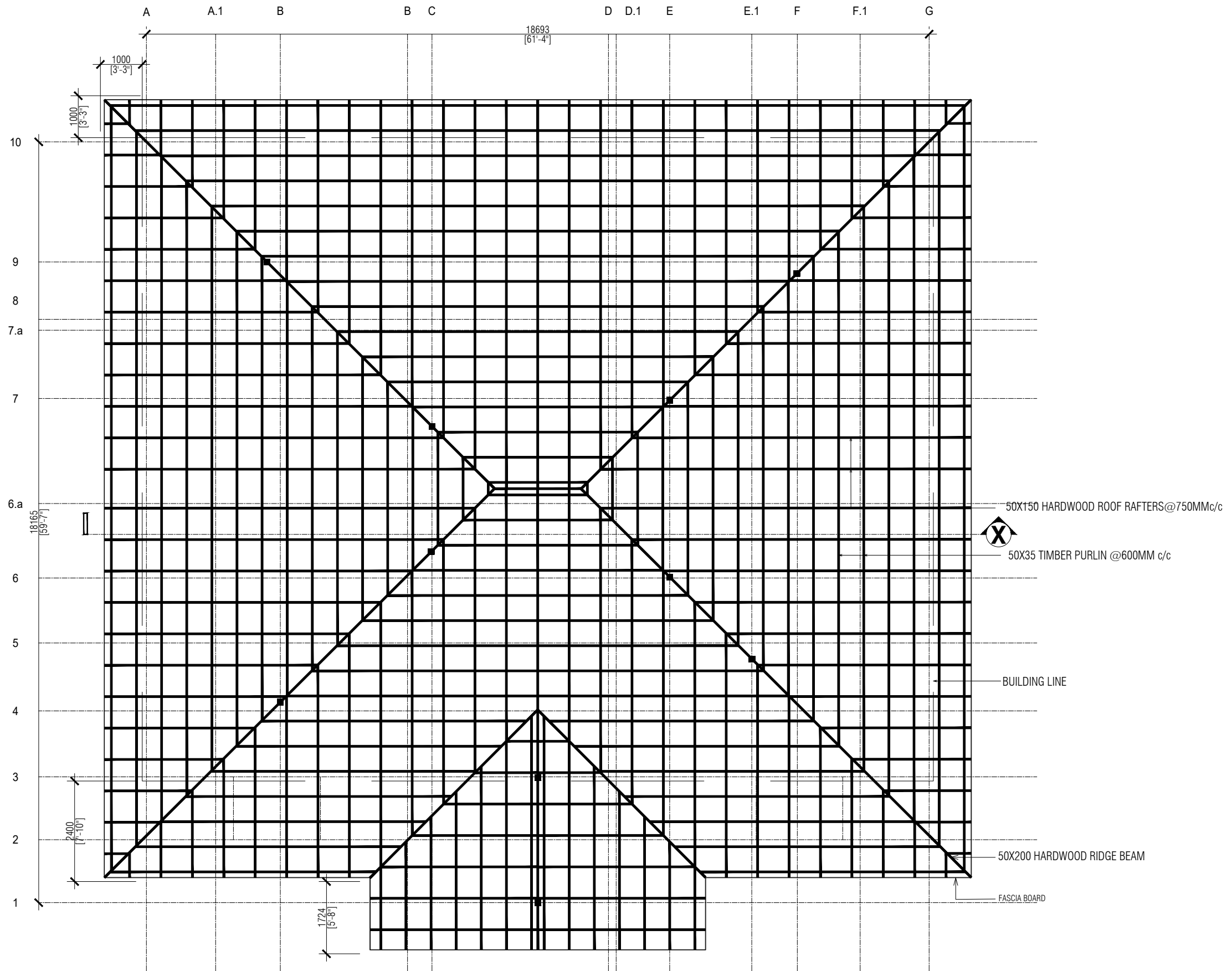
NAME	DOUBLE DOOR		SIDE HUNG DOOR		SIDE HUNG DOOR		SIDE HUNG DOOR		SIDE HUNG DOOR	
PLAN										
ELEVATION										
SYMBOL	D1		D2		D2a		D3		D4	
LOCATION	ENTRANCE	TYPE	GROUND FLOOR	TYPE	GROUND FLOOR	TYPE	GROUND FLOOR	TYPE	GROUND FLOOR	TYPE
QUANTITY		4 HINGE DOUBLE HUNG DOOR		4 HINGE SIDE HUNG DOOR		4 HINGE SIDE HUNG DOOR		4 HINGE SIDE HUNG DOOR		3 HINGE SIDE HUNG DOOR
DOOR FRAME	ALUMINIUM	REMARKS	SOLID TIMBER WOOD	REMARKS	SOLID TIMBER WOOD	REMARKS	ALUMINIUM	REMARKS WITH GRILL	ALUMINIUM	REMARKS
FINISHES	WHITE POWER COATED	TOP AND SIDE PENAL FIXED TINTED GLASS WITH GRILL	VARNISHED	DOOR FRAME WITH ARCHITRAVE	VARNISHED	DOOR FRAME WITH ARCHITRAVE	WHITE POWER COATED	FIXED TINTED GLASS	POWDER COATED	

NAME	2 PENAL WINDOW		VENTILATION	
PLAN				
ELEVATION				
SYMBOL	W1		V1	
LOCATION	GROUND FLOOR	TYPE	GROUND FLOOR	TYPE
QUANTITY		SIDE HUNG 2 PENAL		TOP HUNG VENTILATION
DOOR FRAME	ALUMINIUM	REMARKS	ALUMINIUM	REMARKS
FINISHES	WHITE POWER COATED	TINTED GLASS WITH GRILL	WHITE POWER COATED	WITH GRILL



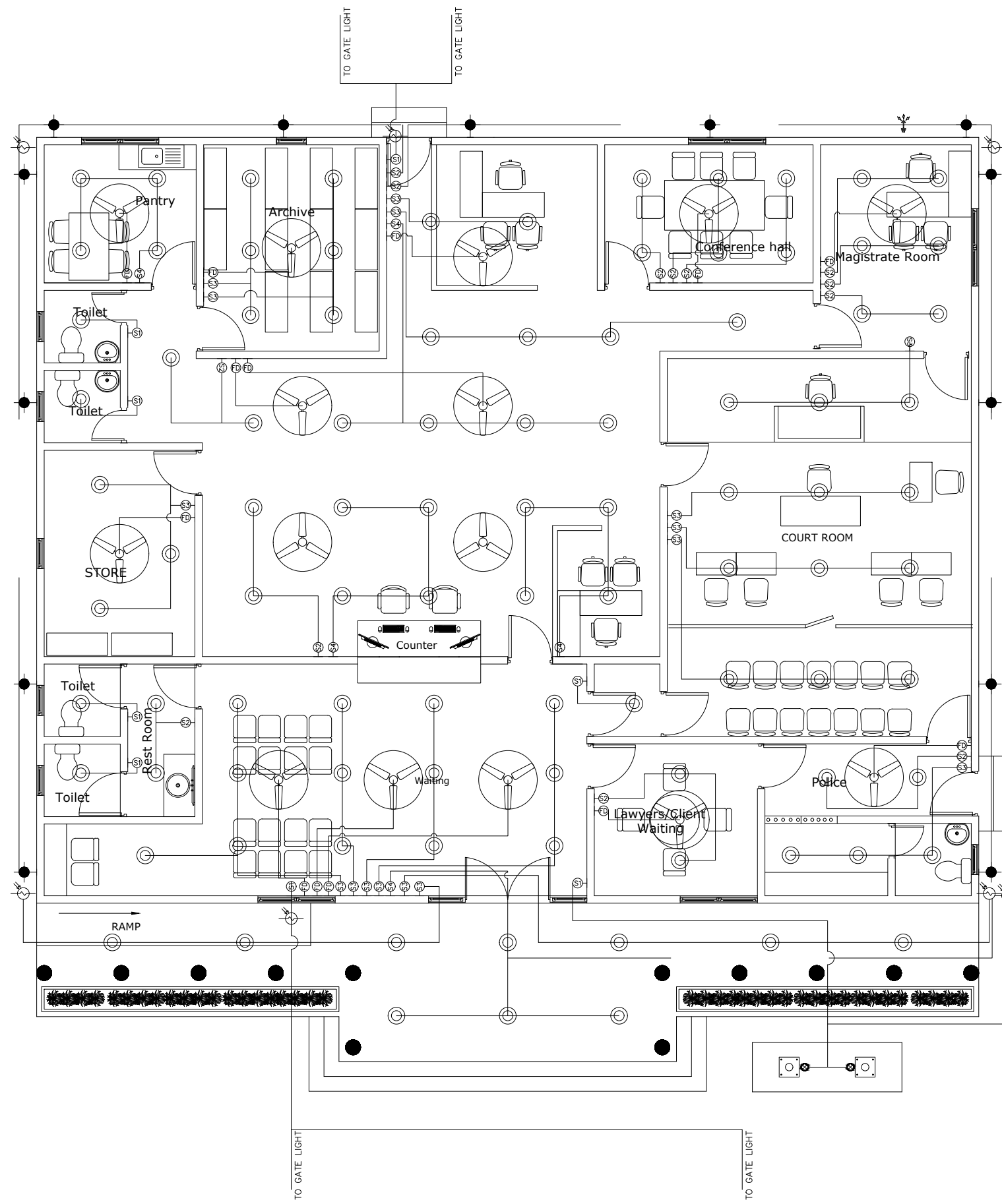
ROOF BEAM PLAN  
Scale 1:100





ROOF FRAMING PLAN  
Scale 1:100

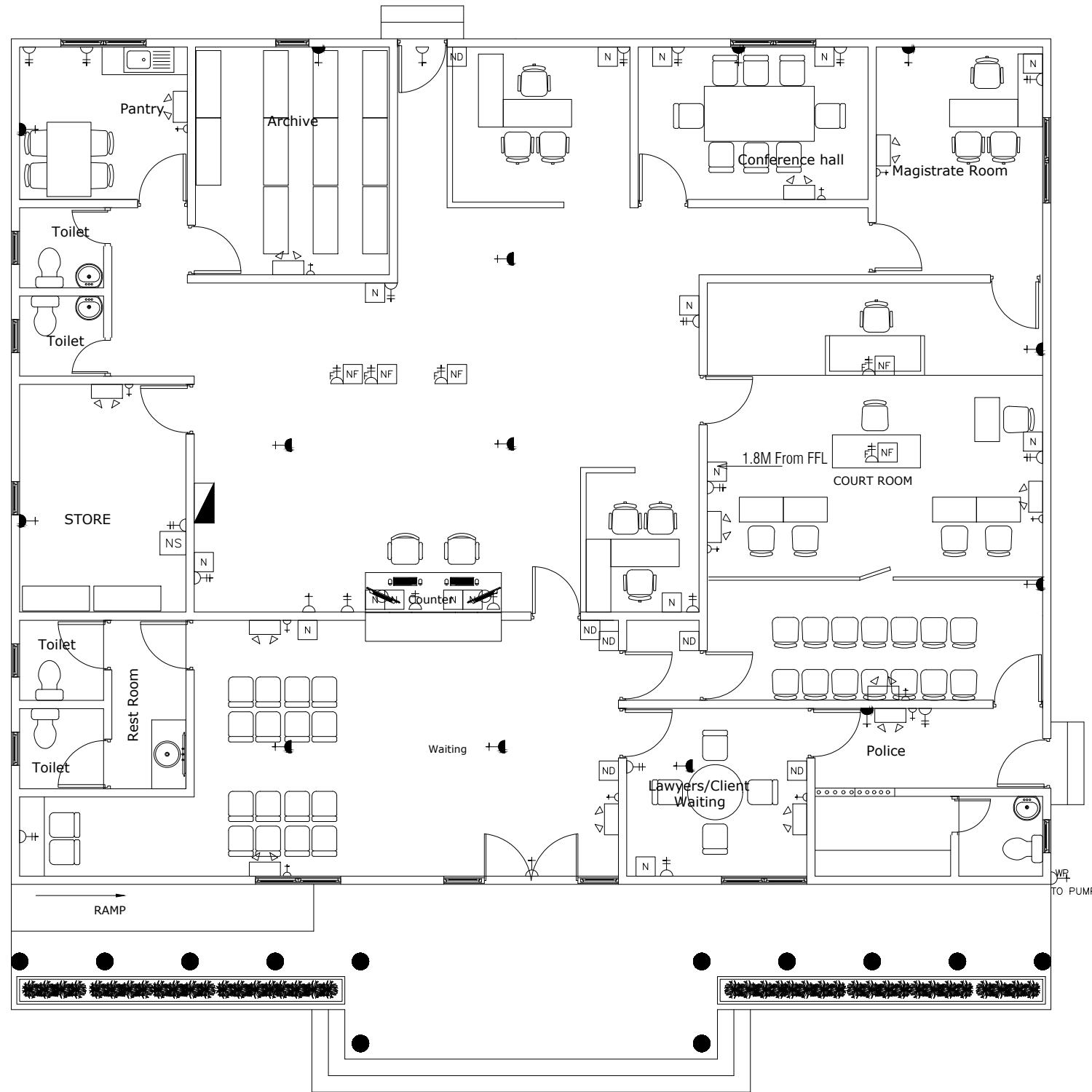
NOTE:  
"SC" FROM ROOF BEAM TO SUPPORT ROOF RIDGE



LEGEND	
⊙	DOWN LIGHTS C/W 20W ENERGY SAVERS
●	WALL LIGHT BULB (WEATHERPROOF)
⊕	CEILING FAN (1.3M DIAMETER)
⊖	ONE GANG SWITCH
⊖	TWO GANG SWITCH
⊖	THREE GANG SWITCH
⊖	FOUR GANG SWITCH
⊖	FAN DIMMER
⊖	LIGHTING ROD
⊖	PHOTOCELL SWITCH
⊖	SPOT LIGHT
⊖	2WAY SWITCH

NOTE: ALL SWITCHES @ 1.2 FROM FFL  
 ALL THE OUTDOOR LIGHTS ARE CONTROL BY PHOTOCELL SWITCH  
 ALL GATE LIGHTS ARE CONTROL BY PHOTOCELL SWITCH

ELECTRICAL LIGHTING LAYOUT  
 Scale 1:100

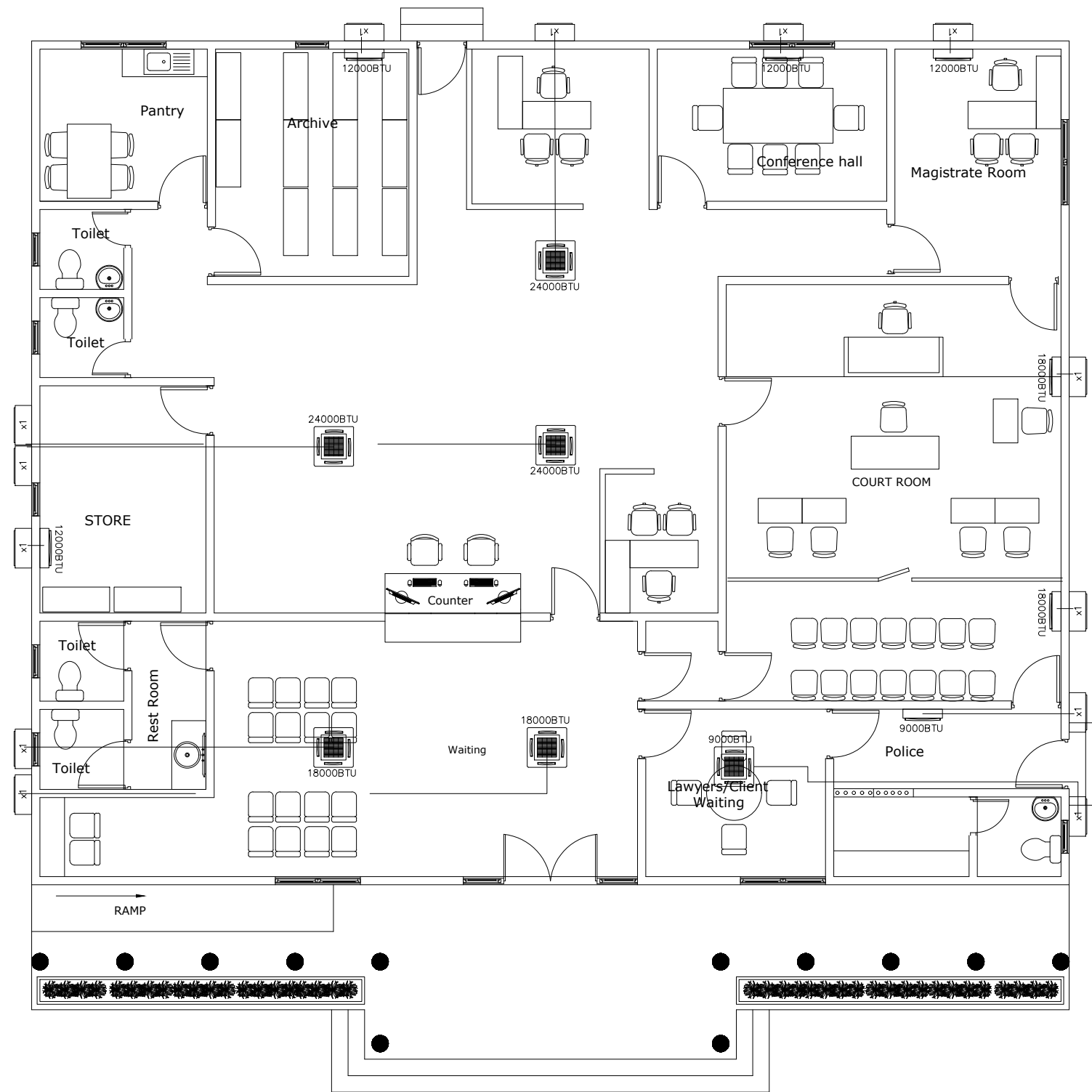


LEGEND 3 PHASE DISTRIBUTION BOARD	
	DISTRIBUTION BOARD
	NETWORK SWITCH
	1 x 13A SOCKET OUTLET
	1 x 13A SOCKET OUTLET (WATERPROOF)
	2 x 13A SOCKET OUTLET
	2 x 13A FLOOR SOCKET OUTLET
	1 x 15A SOCKET OUTLET
	NETWORK FLOOR OUTLET
	NETWORK OUTLET
	NETWORK TO DOOR ACCESS
	EMERGENCY LIGHT TWO HOUR WITH 13A SOCKET OUTLET

ON BOUNDARY WALL

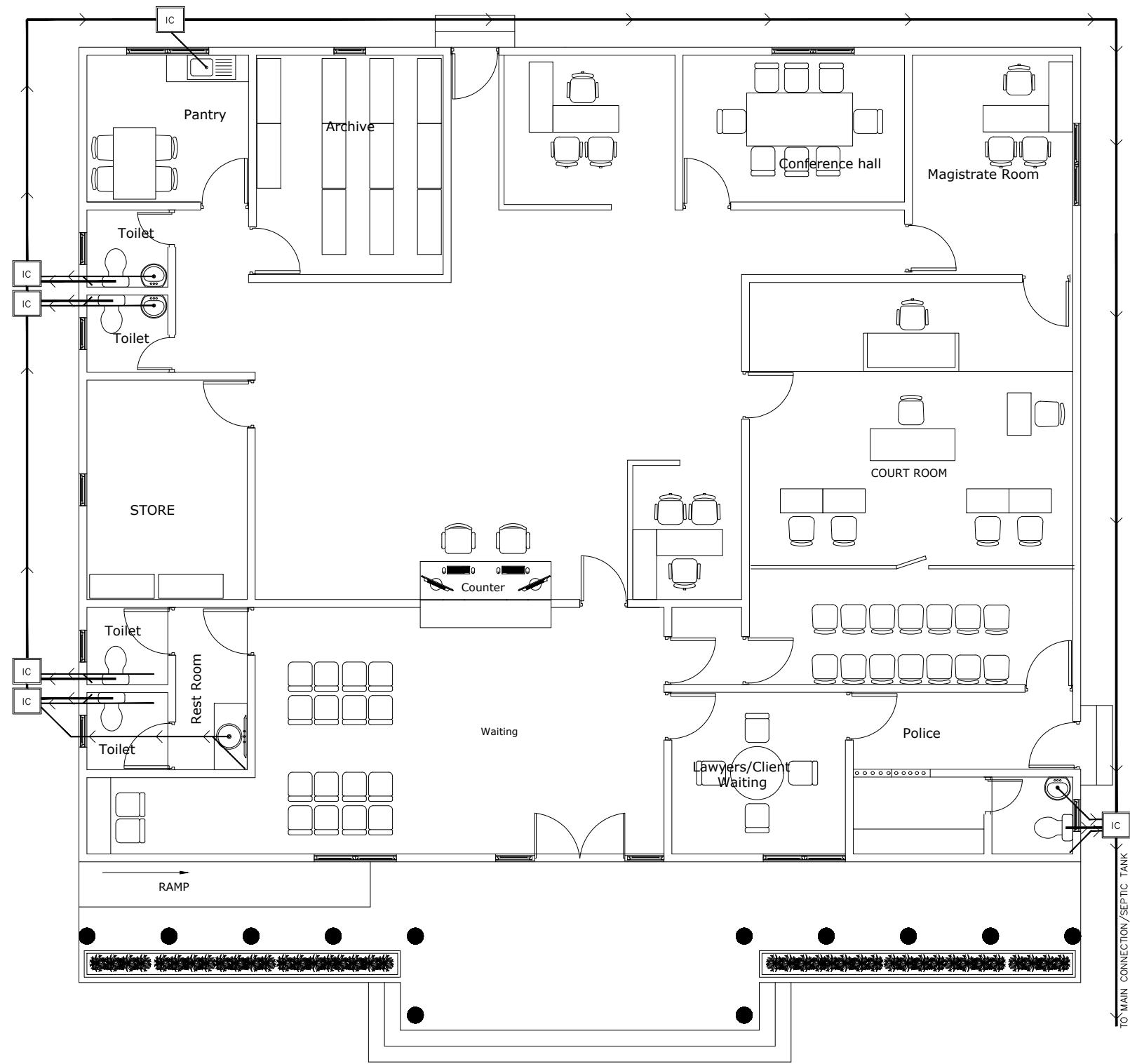
ON BOUNDARY WALL

ELECTRICAL POWER LAYOUT  
Scale 1:100



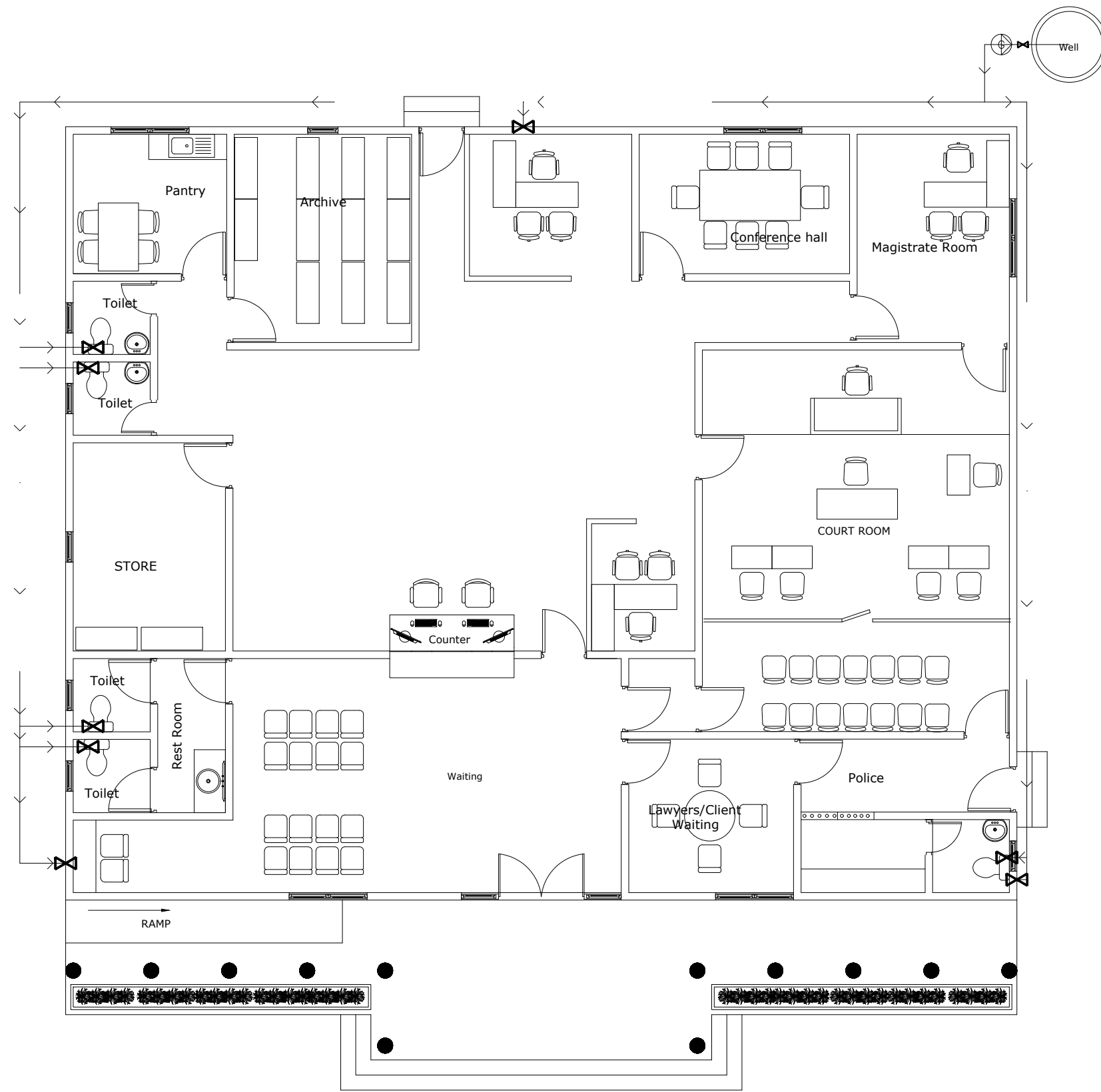
LEGEND	
	1 x 15A SOCKET OUTLET
	NETWORK OUTLET
	CEILING MOUNT AC INDOOR UNIT
	OUTDOOR UNIT
	WALL MOUNT AC INDOOR UNIT

AIR CONDITION LAYOUT  
Scale 1:100



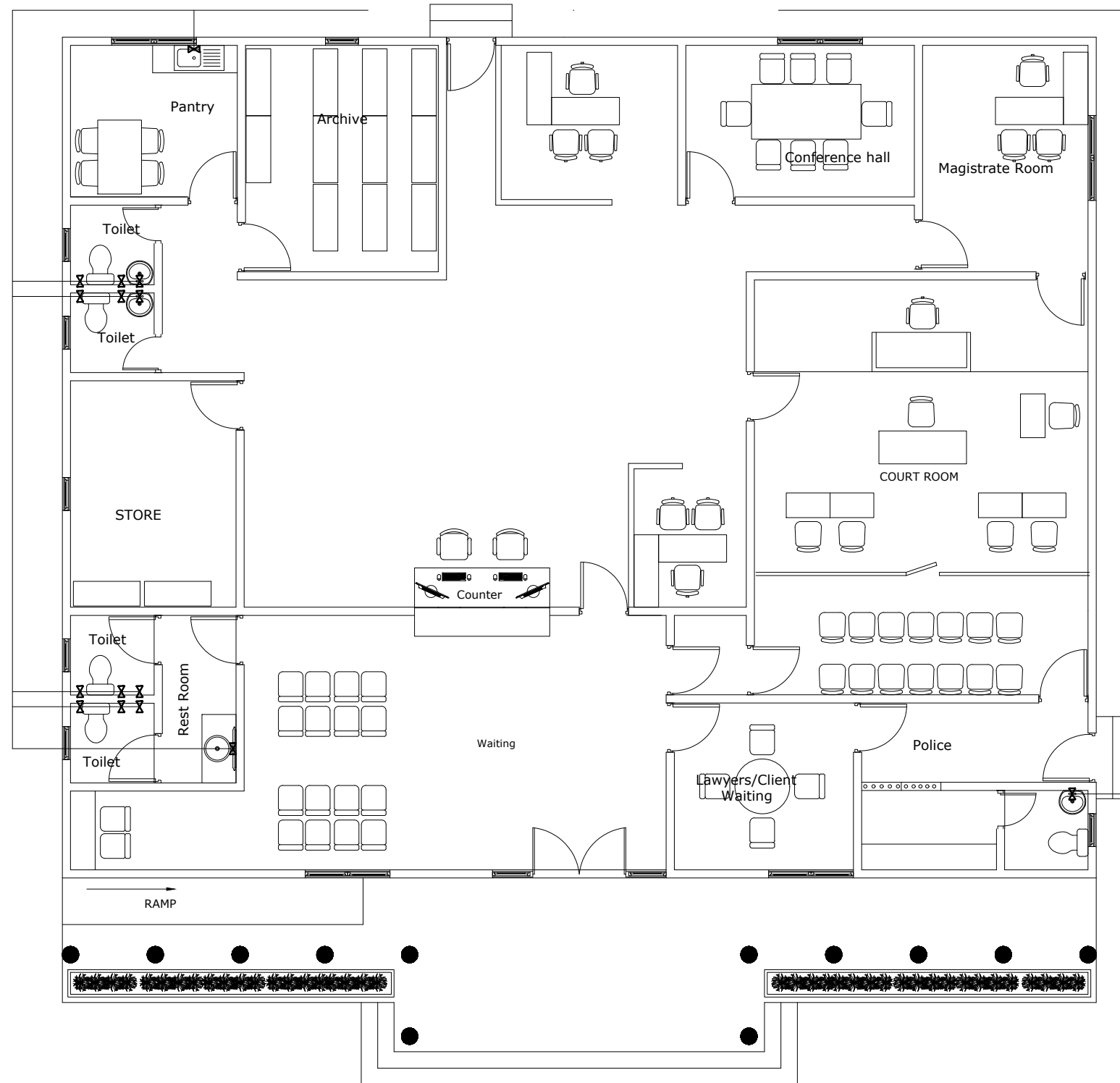
LEGEND	
	100mm $\varnothing$ PVC PIPE
	75mm $\varnothing$ PVC PIPE
	INSPECTION CHAMBER
	FLOOR DRAIN

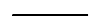

WASTE WATER PIPE LINE  
Scale 1:100



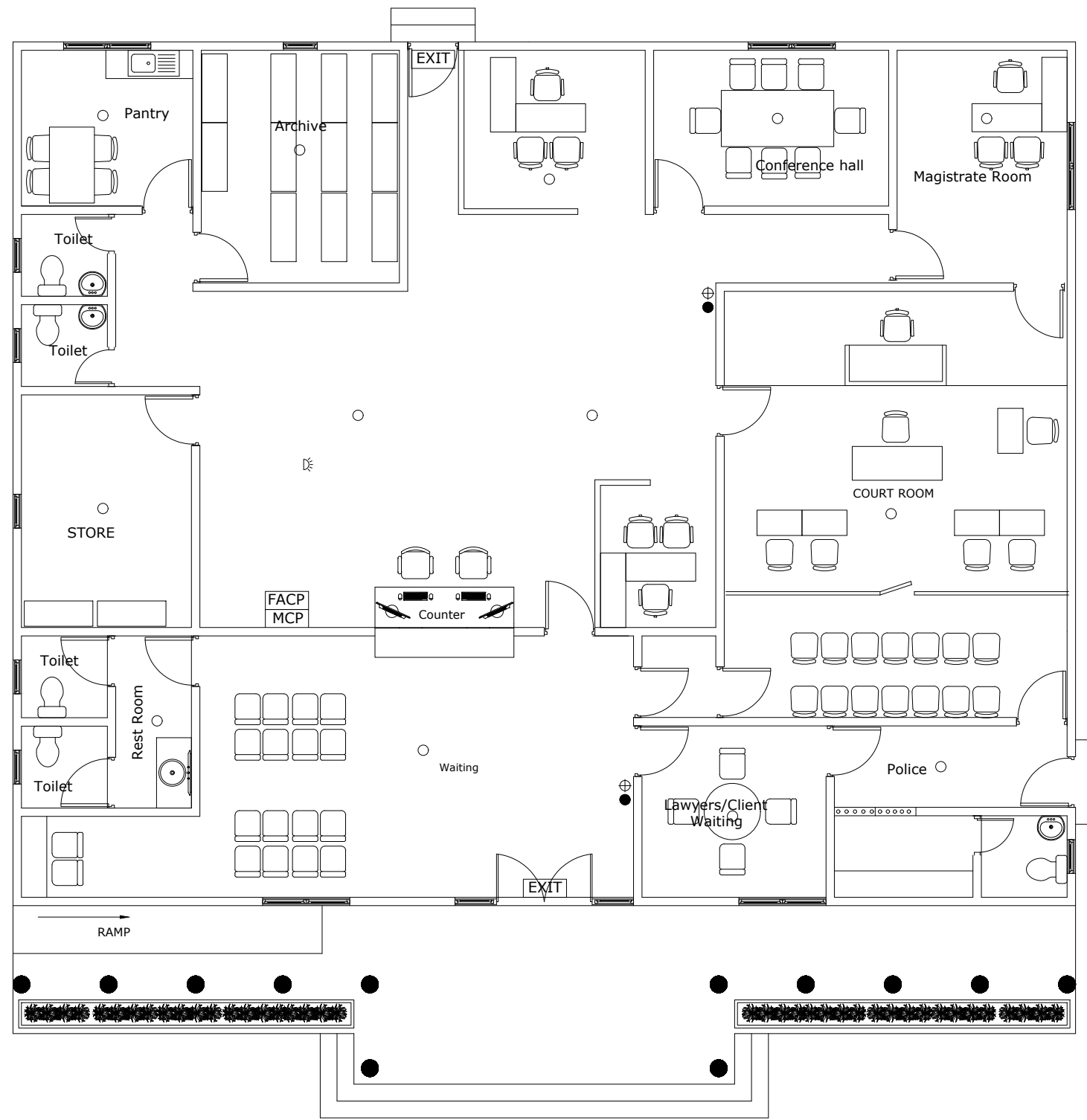
LEGEND	
	12mmØ WELL WATER SUPPLY PIPE
	VALVE
	GROUND WATER PUMP
	WELL

GROUND WATER PIPE LINE  
Scale 1:100



LEGEND	
	12mmØ WELL WATER SUPPLY PIPE
	VALVE

FRESH WATER PIPE LINE  
Scale 1:100

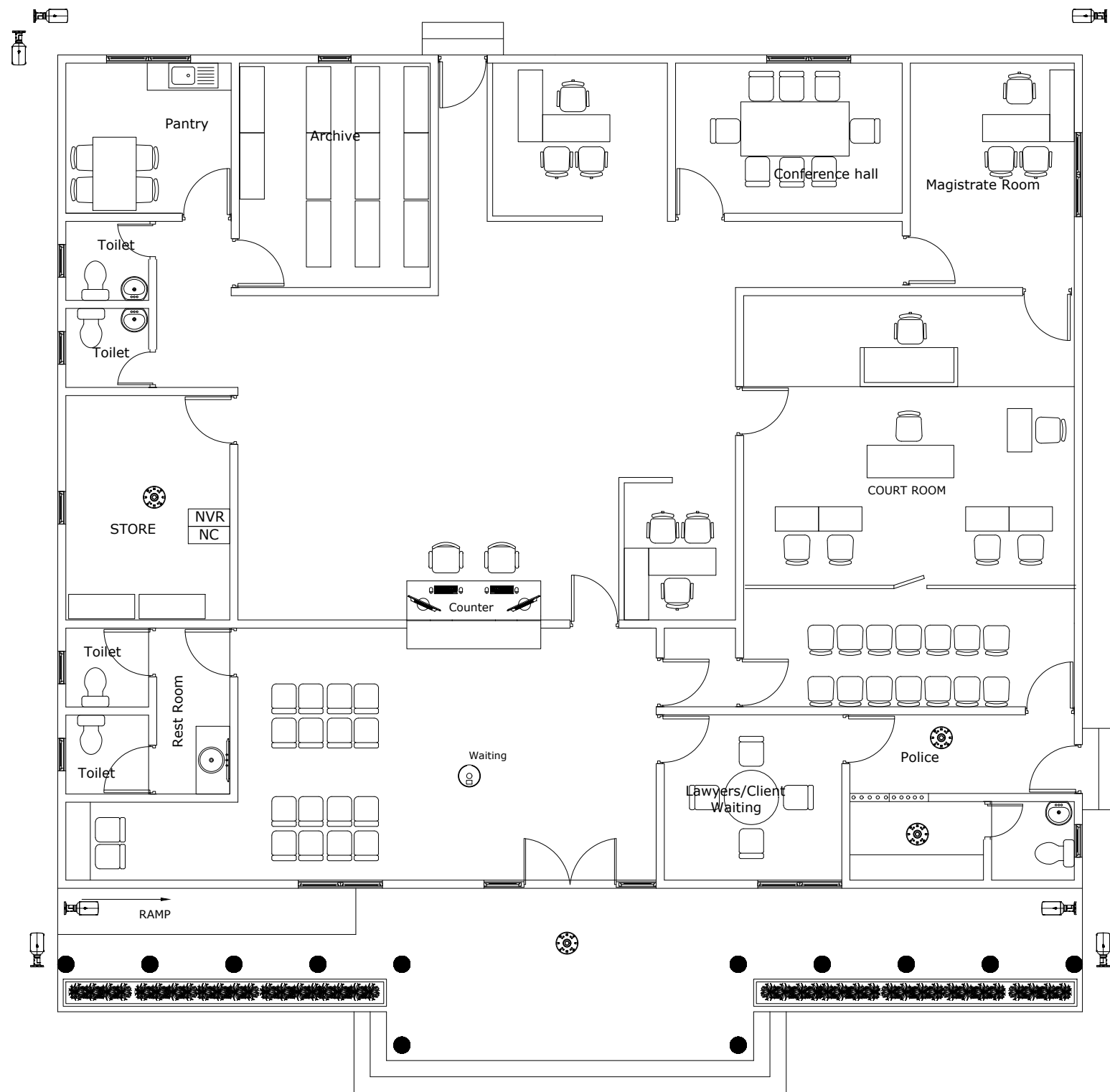





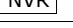
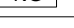
LEGEND	
○	SMOKE DETECTOR
⊕	9 LITER H2O FIRE EXTINGUISHER
●	2KG CO2 FIRE EXTINGUISHER
☼	FIRE ALARM SOUND STROBE 85DS
FACP	FIRE ALARM CONTROL PANEL
MCP	MANUAL CALL POINT
EXIT	EXIT BOARD WITH BACKUP BATTERY

NOTE: ALL CABLE MUST BE FIRE RESISTANT CABLE

FIRE FIGHTING SYSTEM  
Scale 1:100

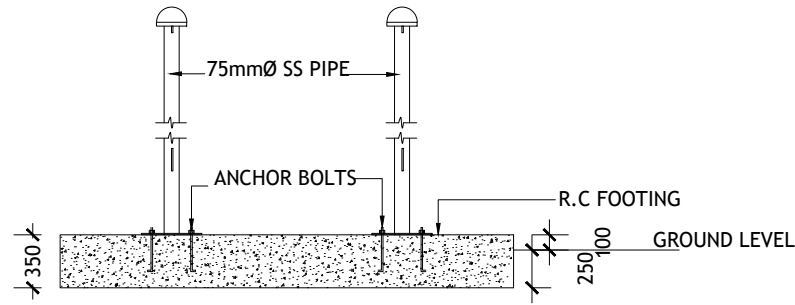




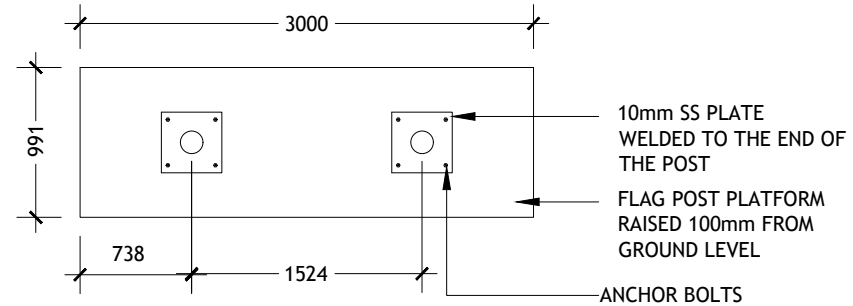
LEGEND	
	ULTRA WIDE DOME CAMERA
	VARIFOVAL BULLET NETWORK CAMERA
	FISHEYE VIEW CAMERA
	NVR
	NETWORK CABINET (RACK)

CCTV CAMERA SYSTEM  
Scale 1:100

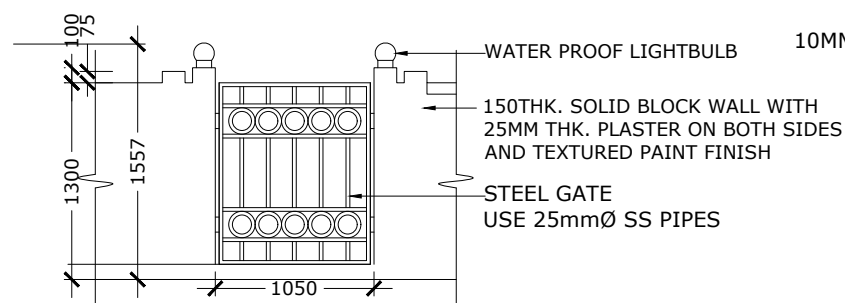
COUNTER DETAIL  
(SECTION)  
SCALE 1:50



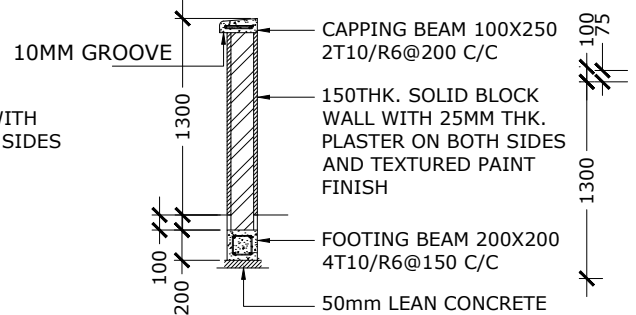
FLAG POST DETAIL  
(SECTION)  
SCALE 1:50



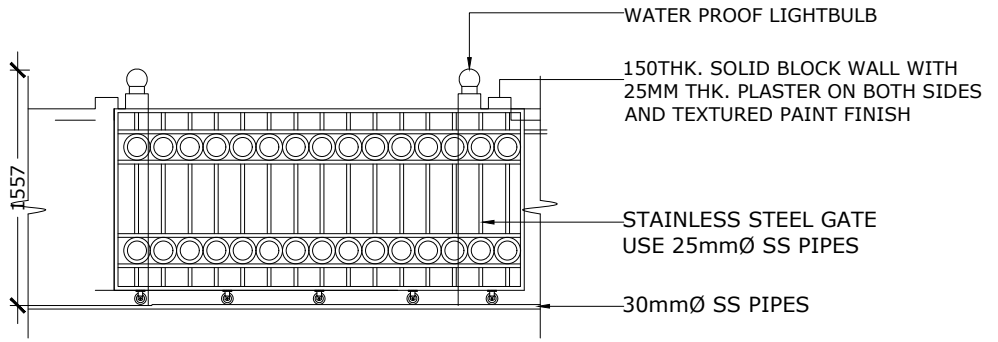
FLAG POST DETAIL  
(PLAN)  
SCALE 1:50



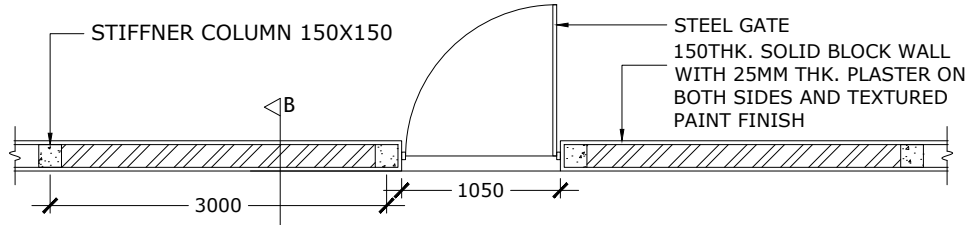
ENTRANCE GATE 2 DETAIL (ELEVATION)  
SCALE 1:50



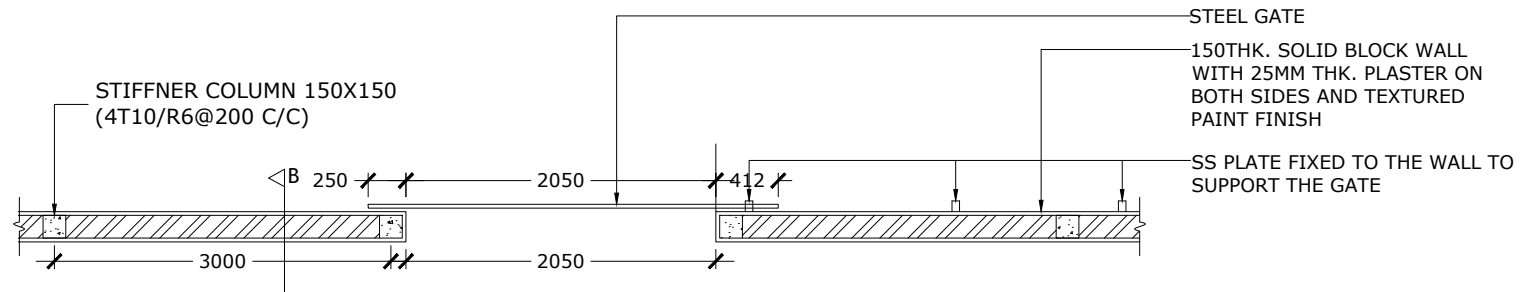
BOUNDARY WALL DETAIL  
(SECTION-B)  
SCALE 1:50



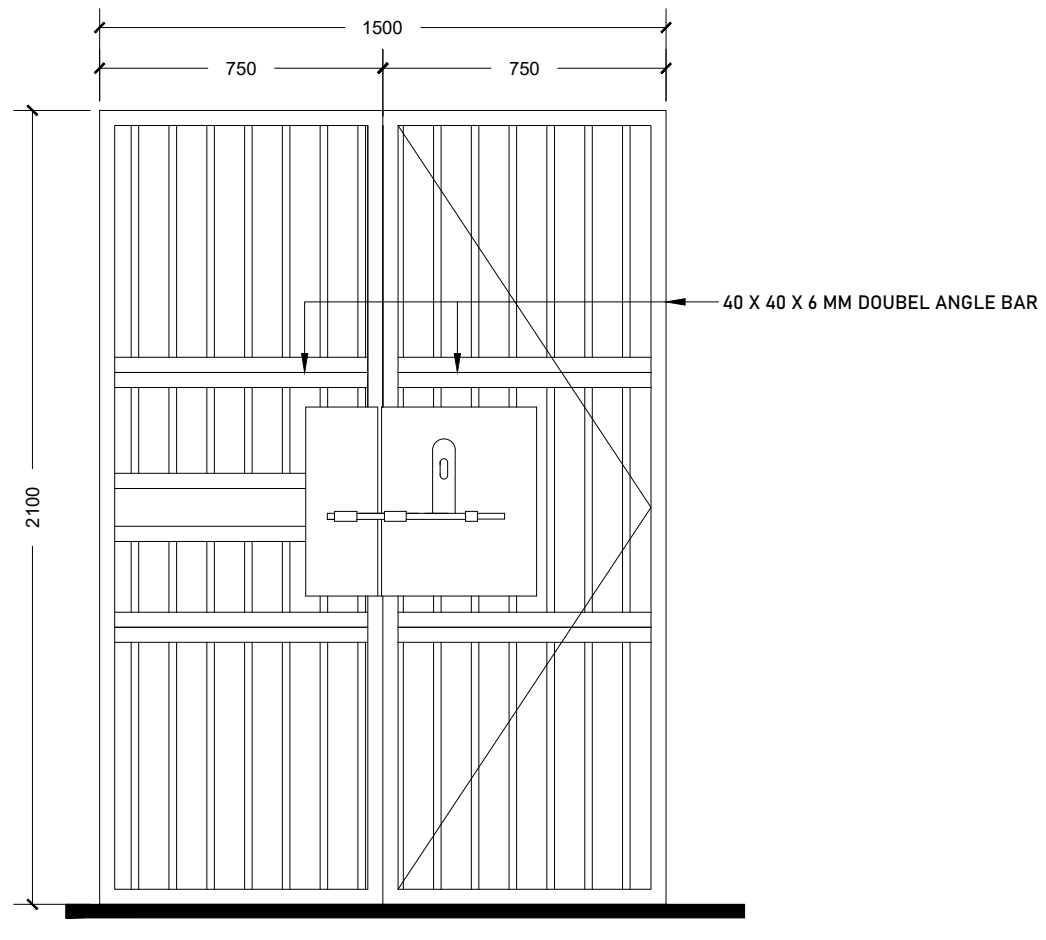
ENTRANCE GATE 1 DETAIL (ELEVATION)  
SCALE 1:50



BOUNDARY WALL / ENTRANCE GATE 2 DETAIL  
(PLAN)  
SCALE 1:50



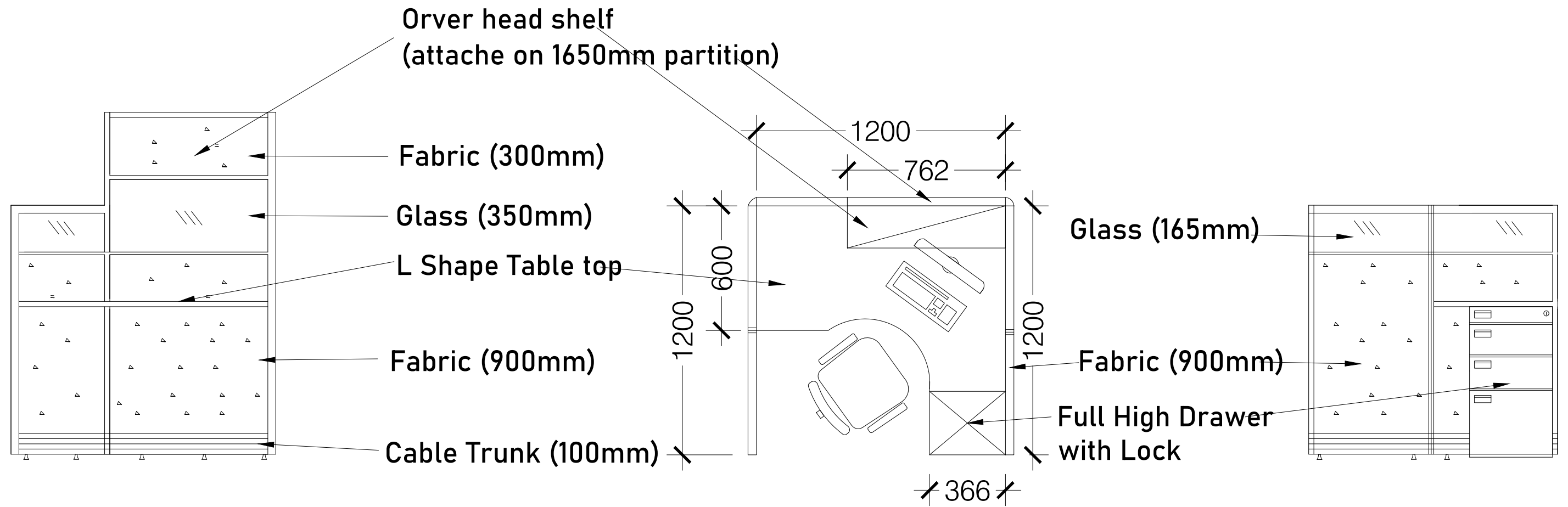
BOUNDARY WALL / ENTRANCE GATE 1 DETAIL  
(PLAN)  
SCALE 1:50

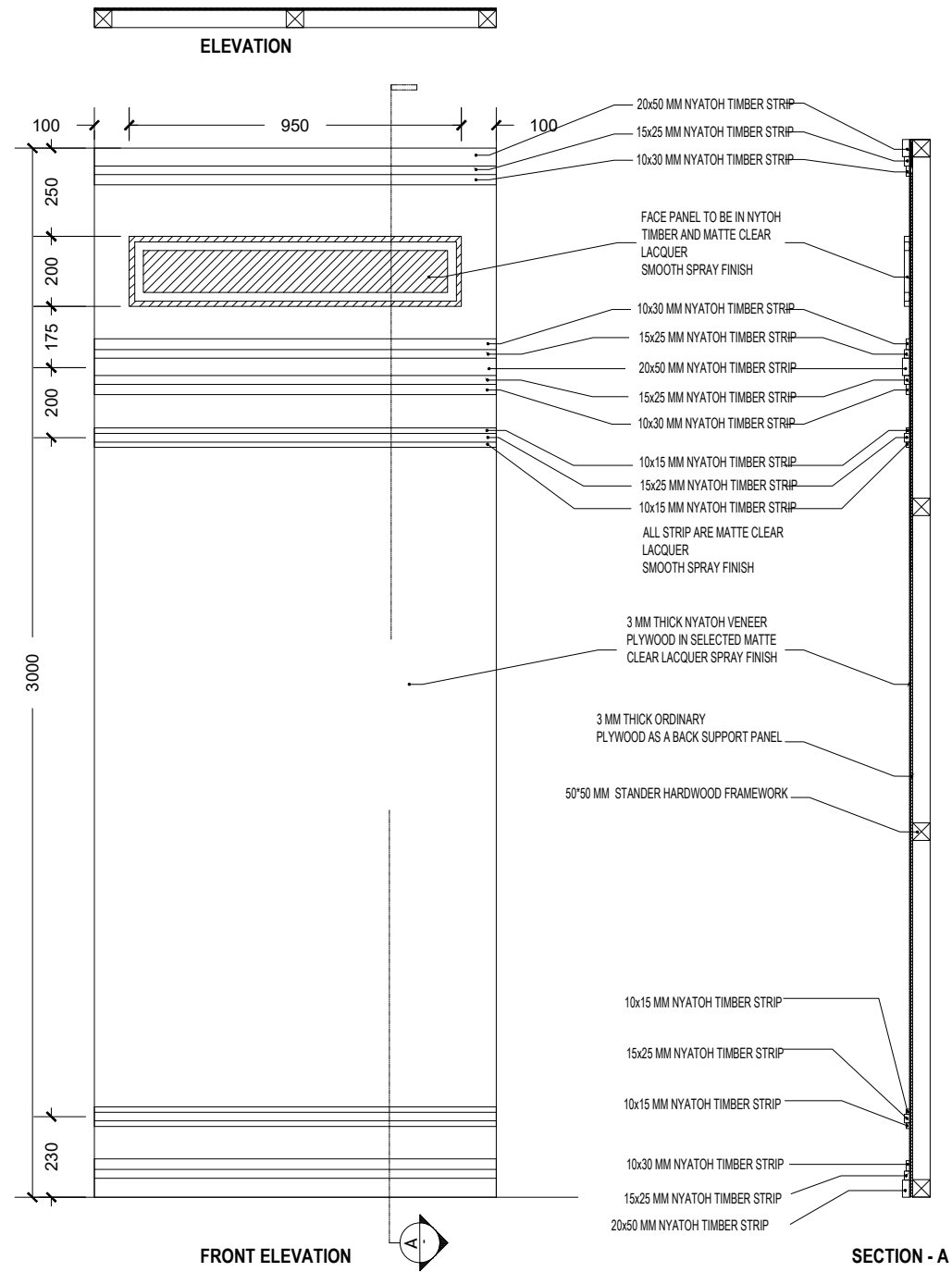


16mm DIA TOR STEEL BAR GRILL DOOR  
BAR AT 100mm ON CENTER  
USE 40 X 40 X6 ANGLE BAR  
PROVISION FOR TWO LOCKS AT TWO LEVELS

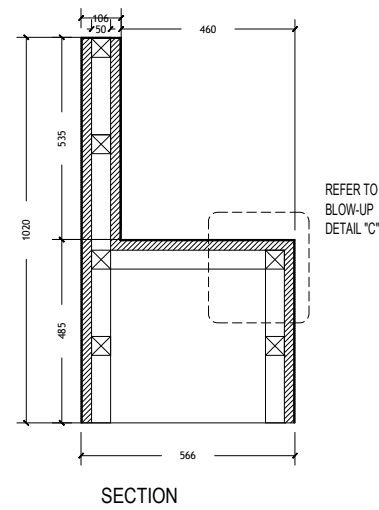
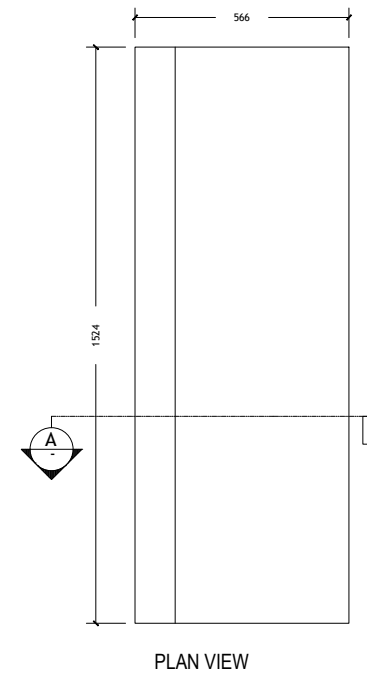
STRUCTURAL DETAILS OF PRISON CELL  
Scale 1:20

# Work Station

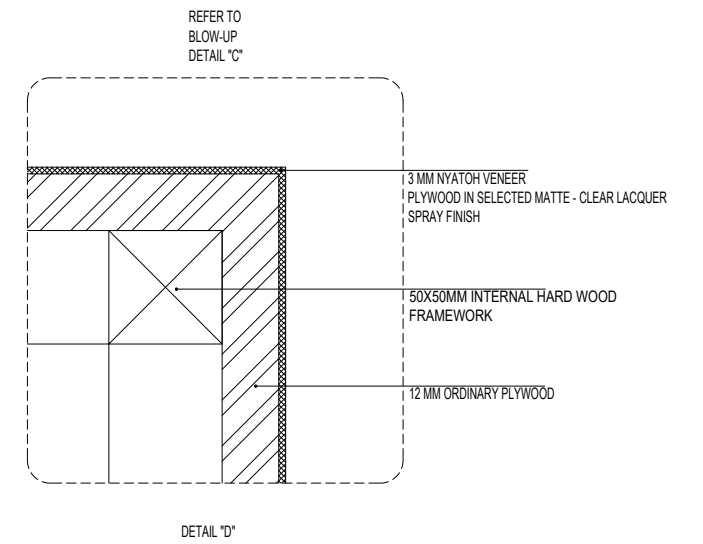


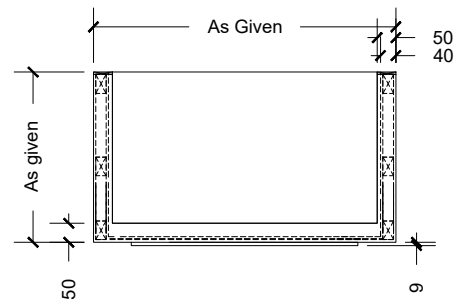


**COURT ROOM BACK PANELS & STAGE DETAILS**  
**SCALE 1:20**

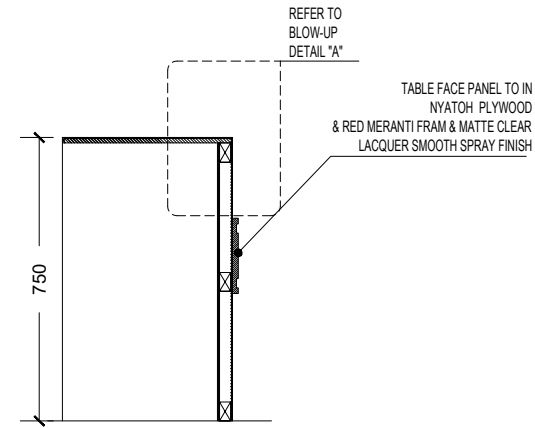


**JUDGE PANEL TABLE**  
**BENCH DETAILS**

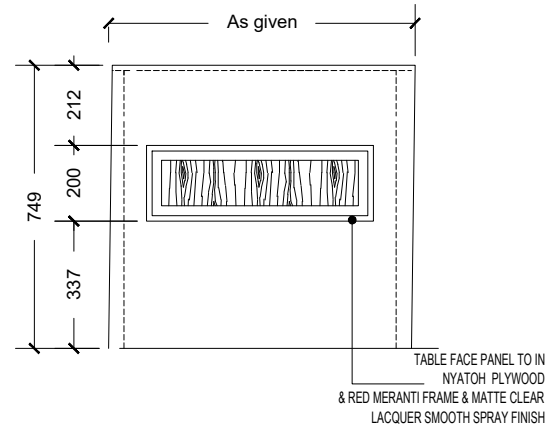
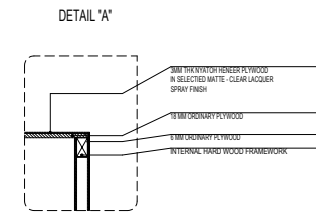




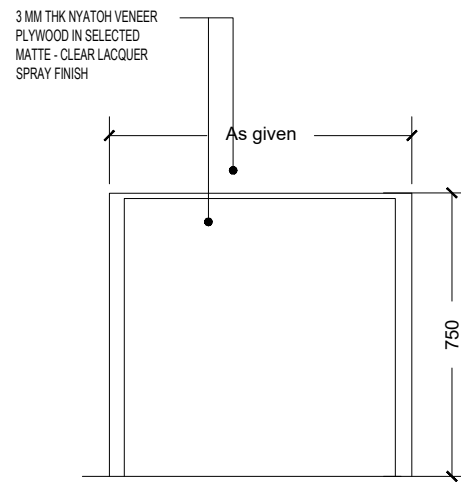
PLAN VIEW



SECTION



FRONT ELEVATION



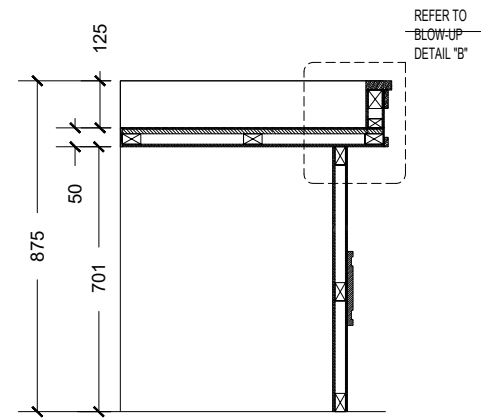
REAR ELEVATION

NOTE:

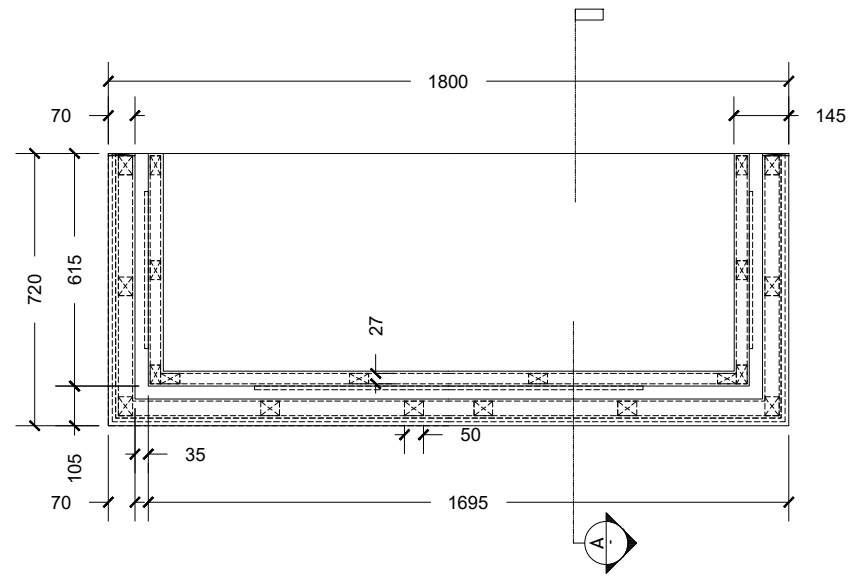
ALL TIMBERS WHICH ARE USED FOR THE STANDARD EXTERNAL FRAMEWORK TO BE APPLIED WITH SOLIGNUM TIMBER TREATMENT CHEMICAL OR EQUIVALENT, 24 HOURS BEFORE USING ON THE FRAMEWORK.

ALL SIDES TO BE FINISHED WITH NATURAL VENEER OF THE SAME WOOD USED ON THE RESPECTIVE PART OF THE FURNITURE.

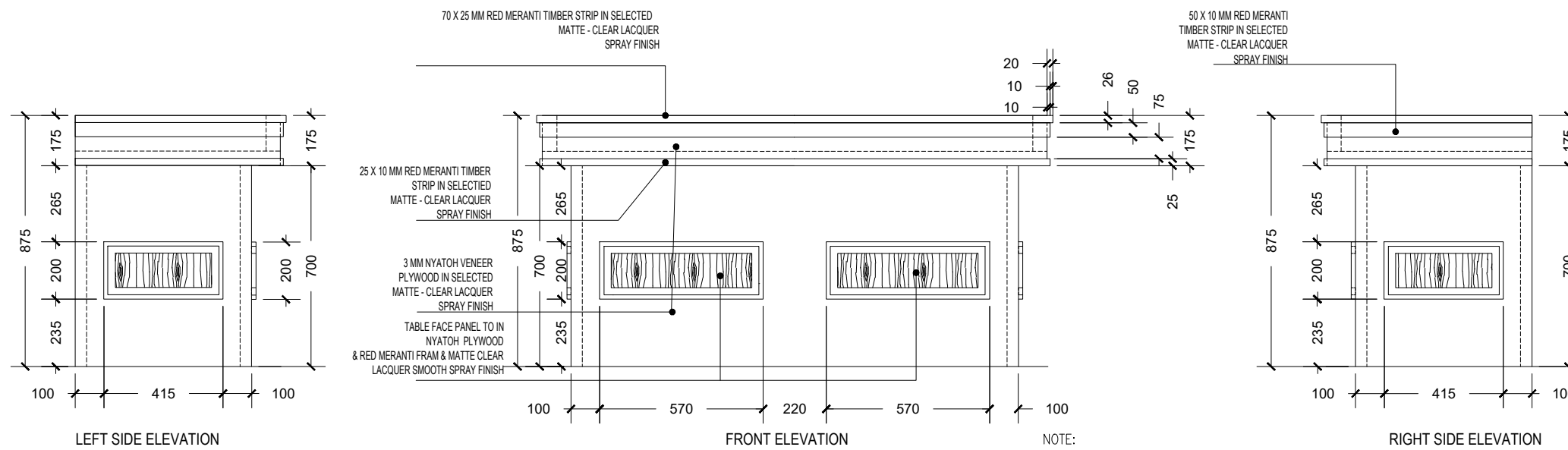
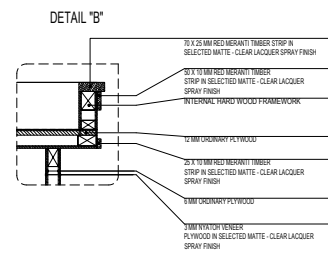
REGISTRARS'/LAWYER'S/WITNESS' TABLE  
**TABLE DETAILS**



SECTION



PLAN VIEW



LEFT SIDE ELEVATION

FRONT ELEVATION

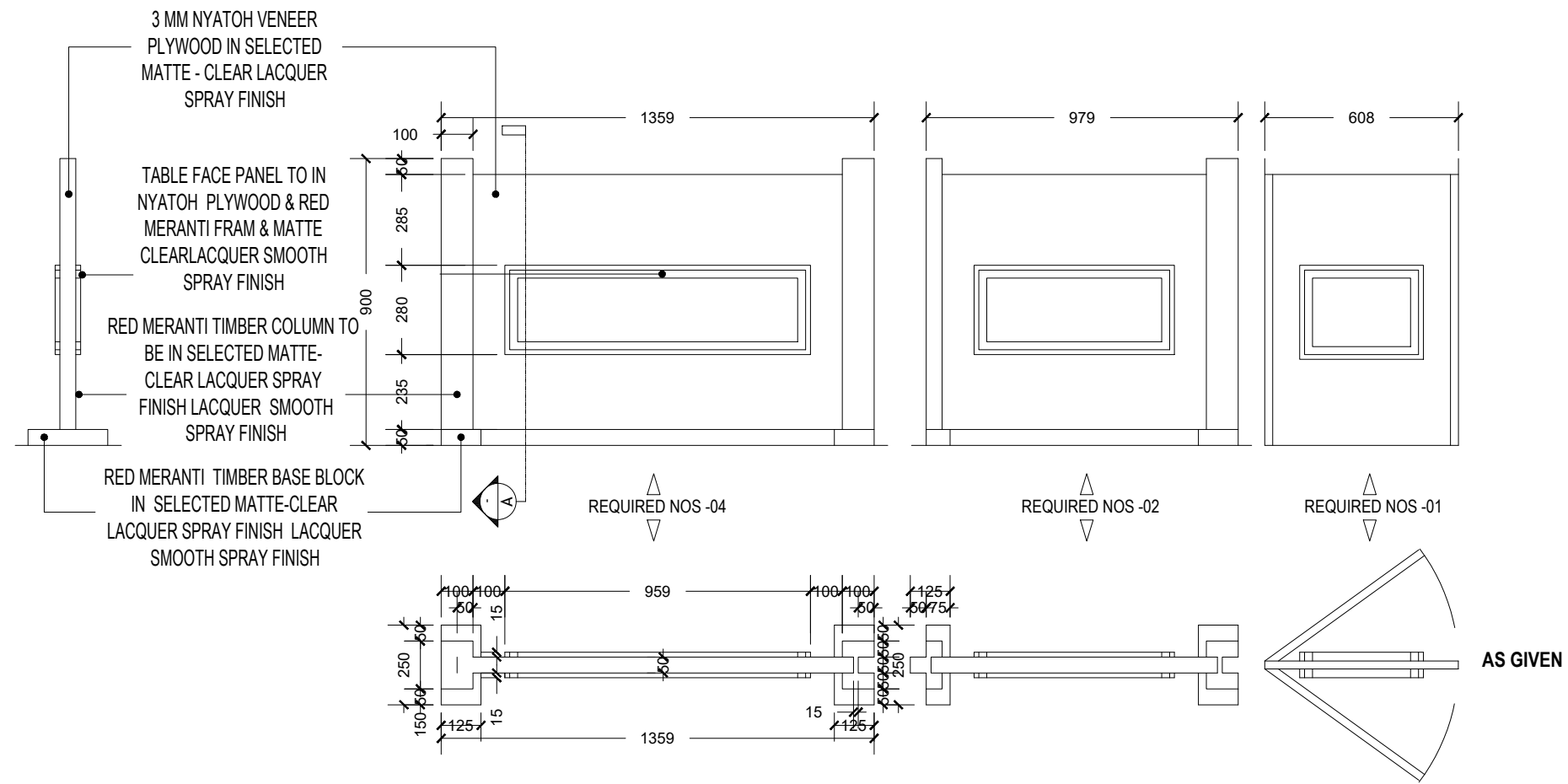
RIGHT SIDE ELEVATION

JUDGE TABLE  
**TABLE DETAILS**

NOTE:

ALL TIMBERS WHICH ARE USED FOR THE STANDARD EXTERNAL FRAMEWORK TO BE APPLIED WITH SOLIGNUM TIMBER TREATMENT CHEMICAL OR EQUIVALENT, 24 HOURS BEFORE USING ON THE FRAMEWORK.

ALL SIDES TO BE FINISHED WITH NATURAL VENEER OF THE SAME WOOD USED ON THE RESPECTIVE PART OF THE FURNITURE.

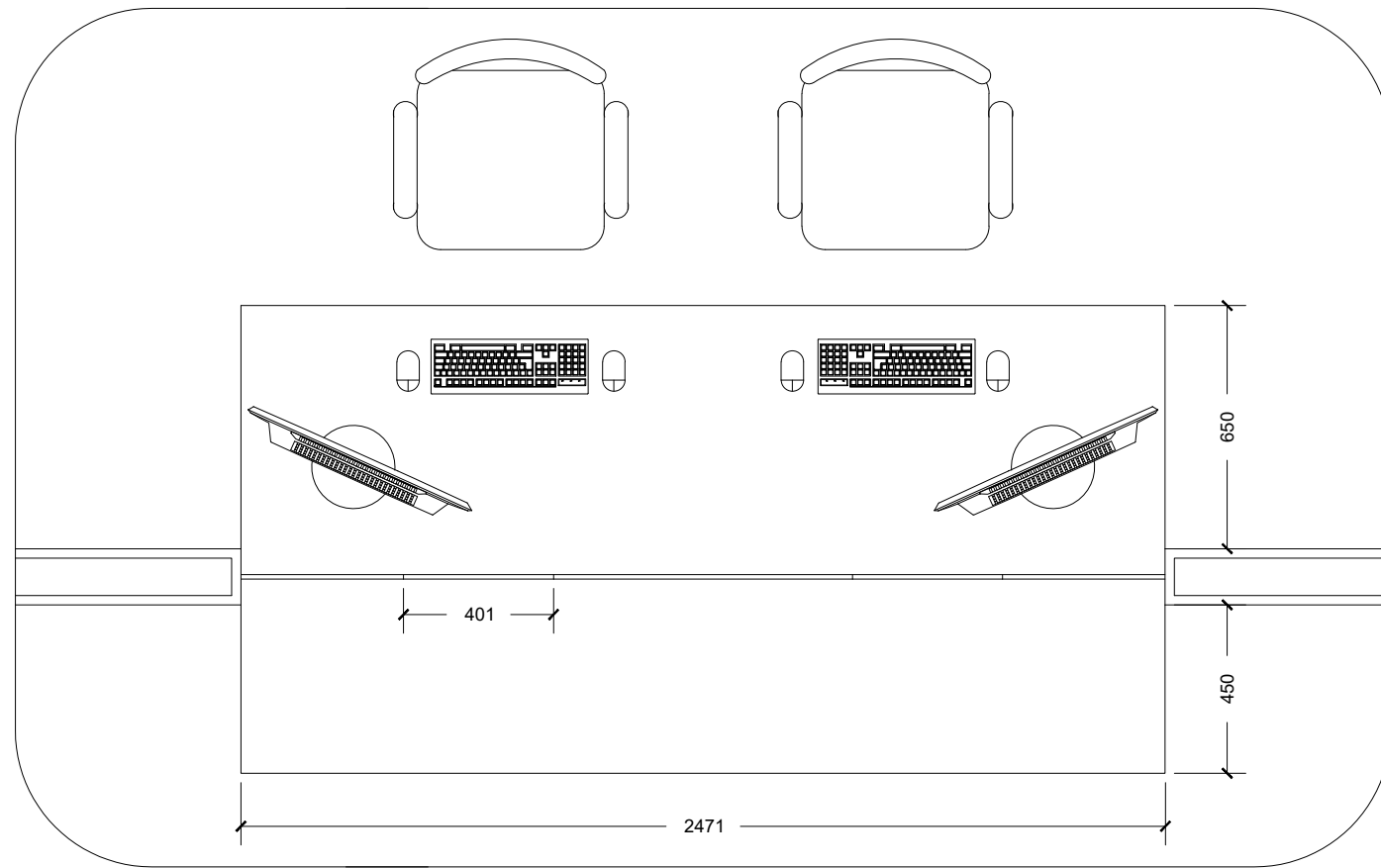


ALL THE TIMBERS WHICH ARE USED FOR THE STANDARD INTERNAL FRAME WORK TO BE APPLIED WITH SOLIGNUM TIMER TREATMENT CHEMICAL OR EQUIVALENT, 24HRS BEFORE USING ON THE FRAMEWORK

ALL THIN SIDE TO BE FINISHED WITH NATURAL VENEER OF THE SAME WOOD USED ON THE RESPECTIE PART OF THE FURNITURE

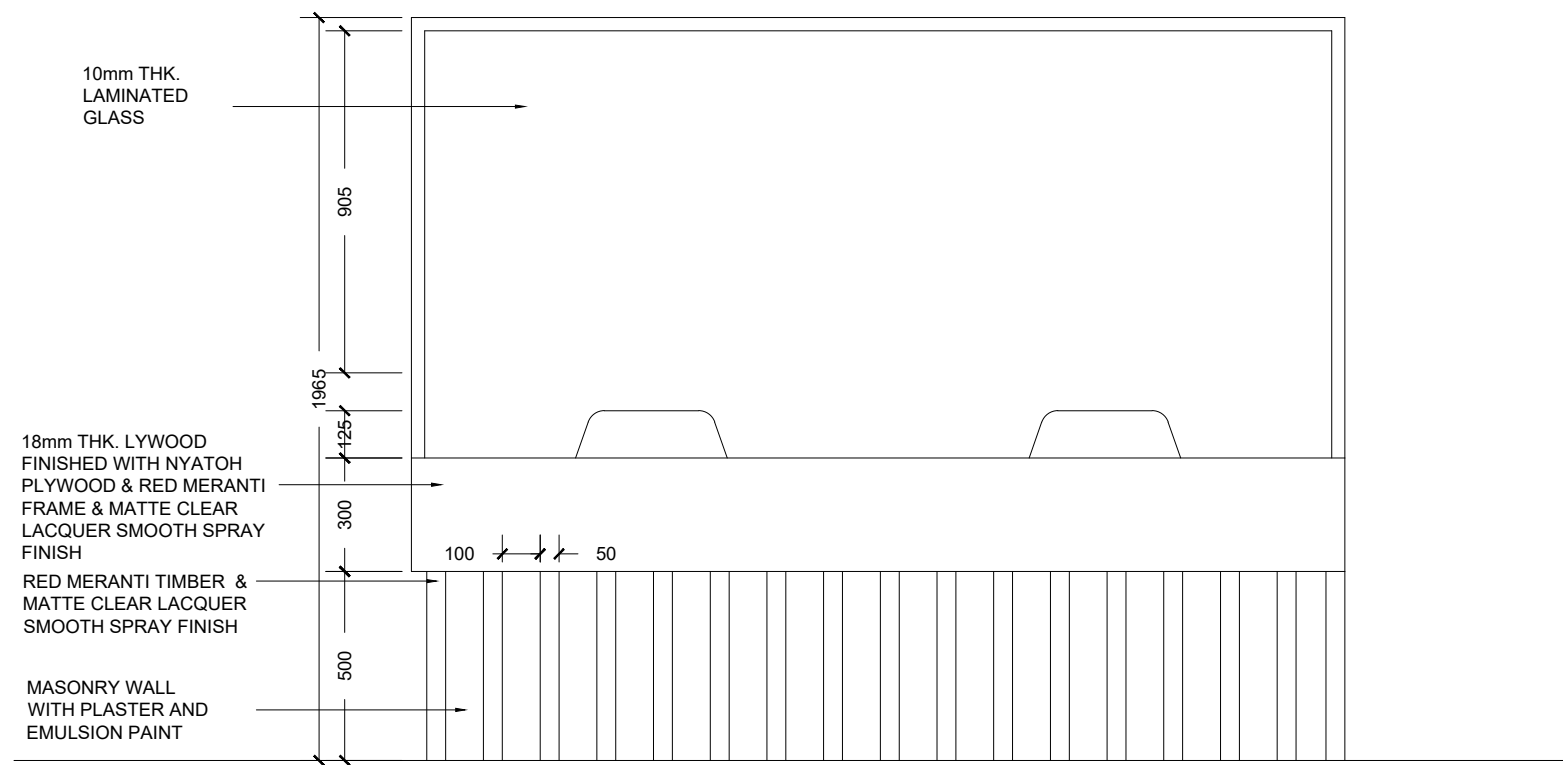
 **DIVIDER PARTITION DETAIL**  
1:20





RECEPTION COUNTER PLAN

SCALE 1:20



RECEPTION COUNTER FRONT ELEVATION

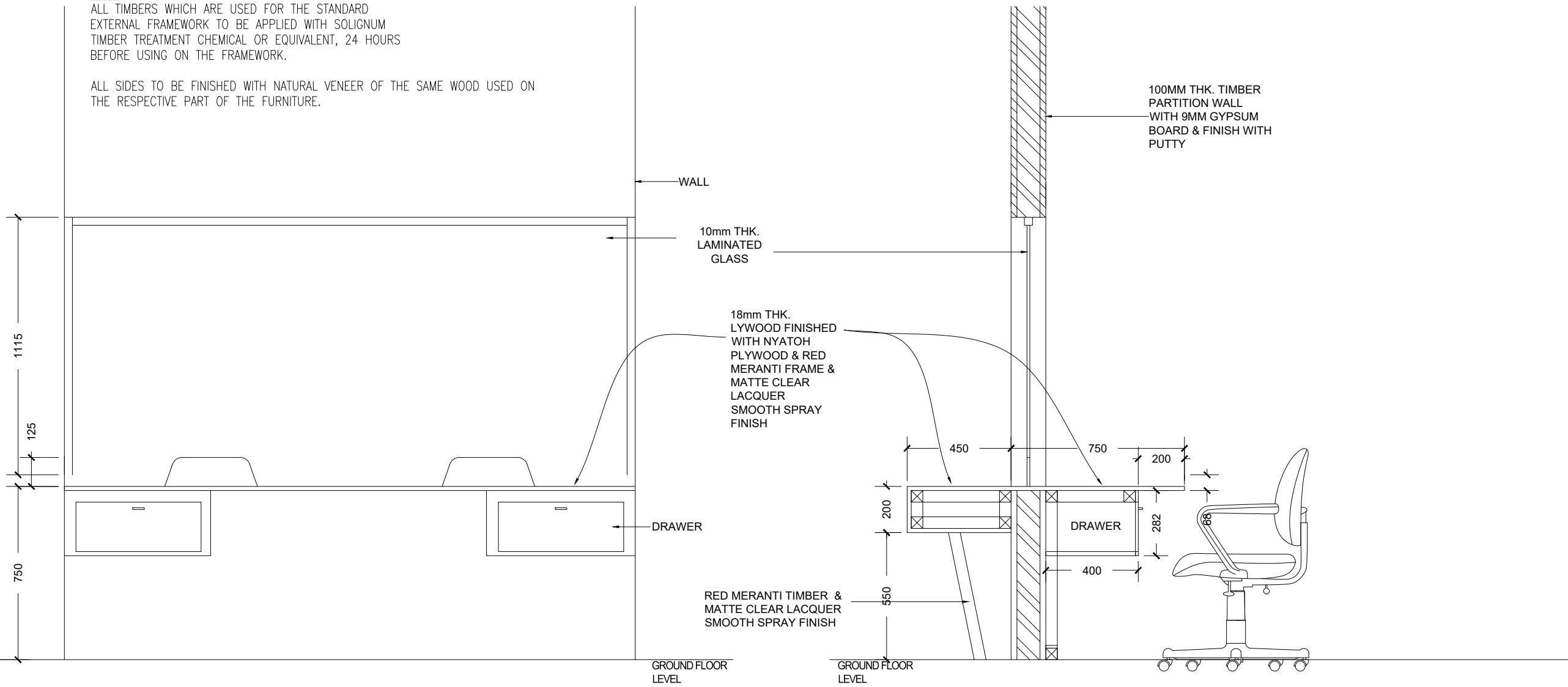
SCALE 1:20

GROUND FLOOR LEVEL

**NOTE:**

ALL TIMBERS WHICH ARE USED FOR THE STANDARD EXTERNAL FRAMEWORK TO BE APPLIED WITH SOLIGNUM TIMBER TREATMENT CHEMICAL OR EQUIVALENT, 24 HOURS BEFORE USING ON THE FRAMEWORK.

ALL SIDES TO BE FINISHED WITH NATURAL VENEER OF THE SAME WOOD USED ON THE RESPECTIVE PART OF THE FURNITURE.

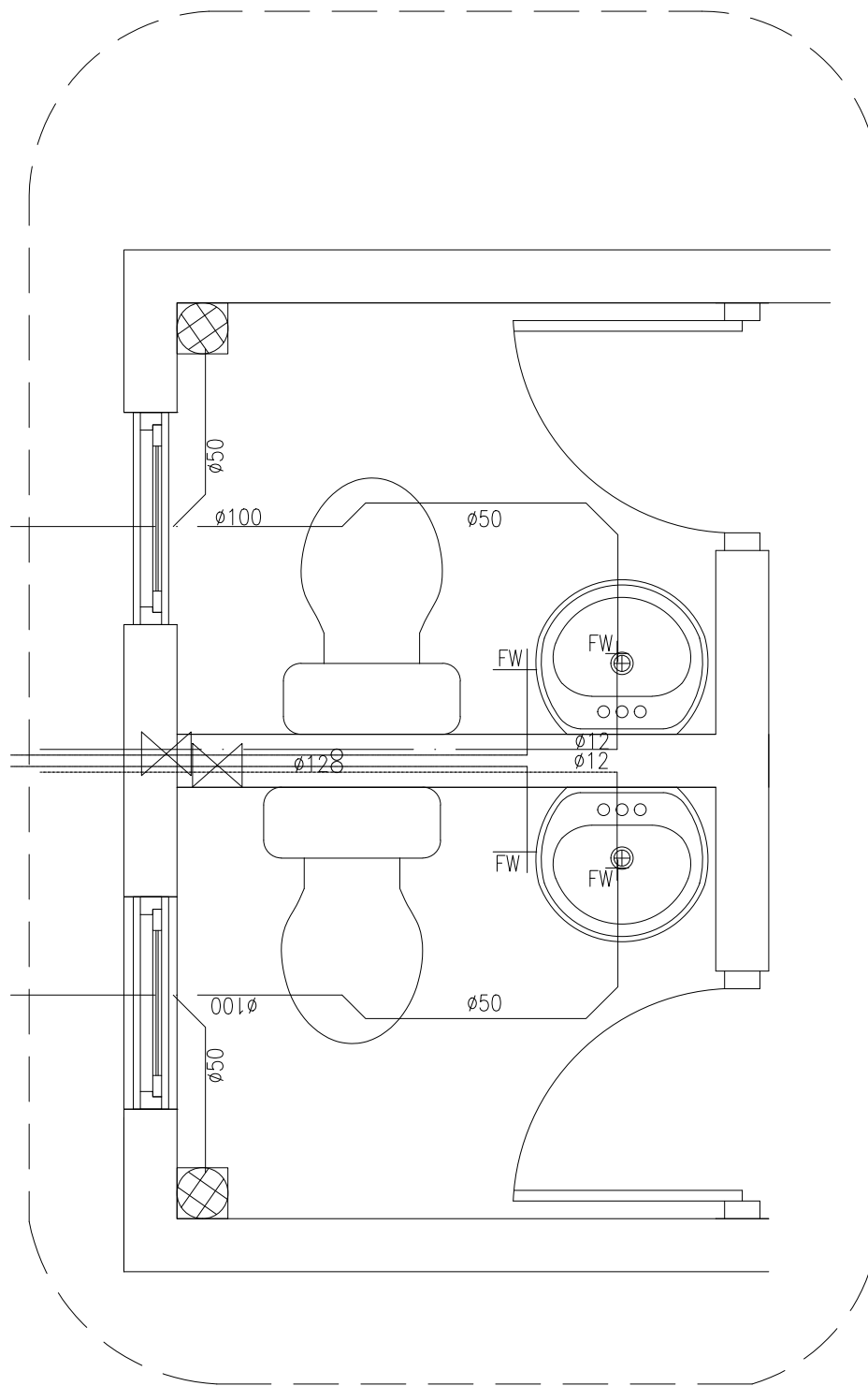
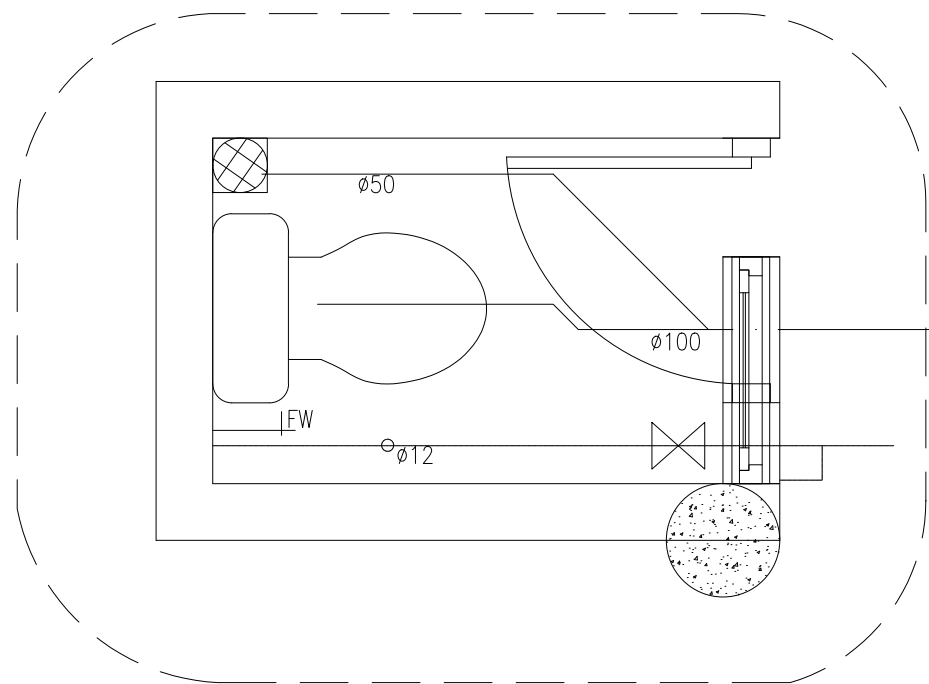


RECEPTION COUNTER REAR ELEVATION

SCALE 1:20

RECEPTION COUNTER SECTION

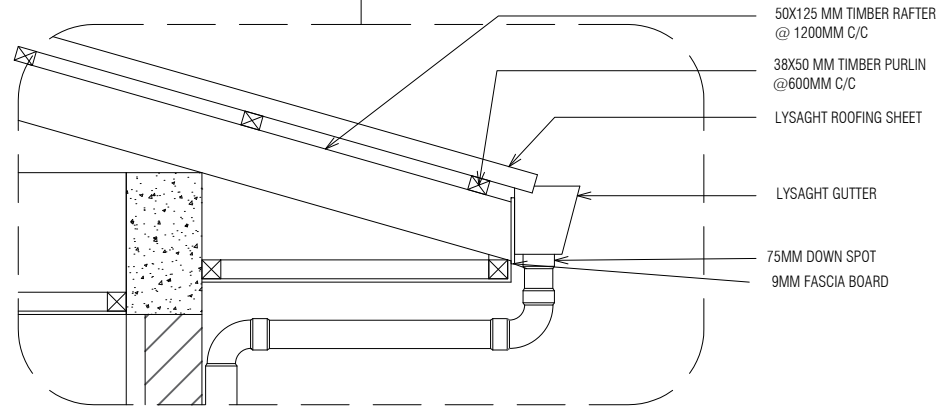
SCALE 1:20



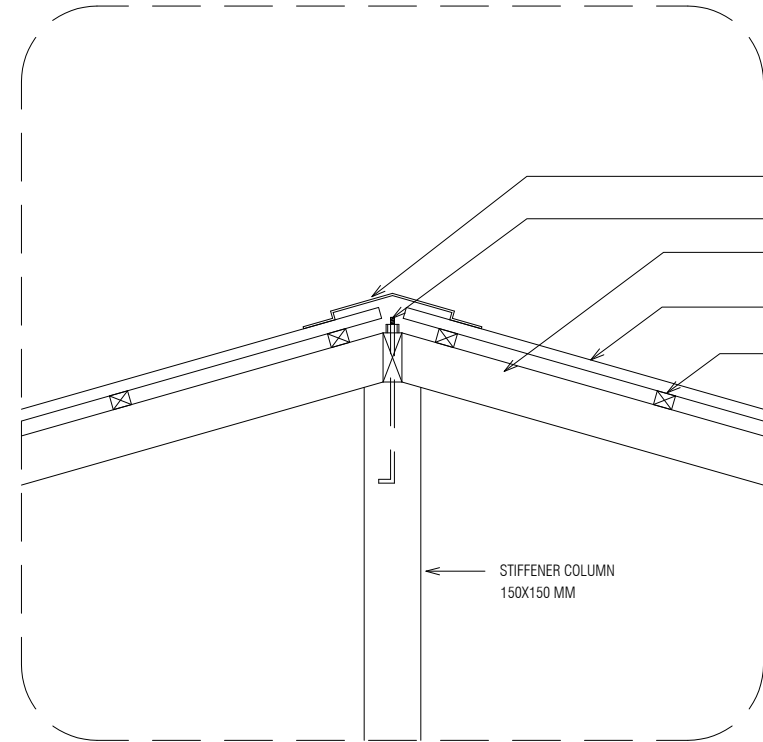
- SYMBOLS LEGEND (PLUMBING)**
- Soil Waste pipe
  - 50mm Ø Waste pipe
  - 50mm Ø vent pipe
  - Ground well water pipe
  - ⊗ Stop gate valve
  - ⊘ Non return valve
  - Hand shower
  - FD ⊗ Floor drain with water tap
  - B Wash basin
  - KS Kitchen sink
  - WC Water closet
  - FW ⊕ Fresh water tap
  - GPE ⊕ Ground water pump (Electric)

**PLUMBING DETAILS**  
**SCALE 1:20**

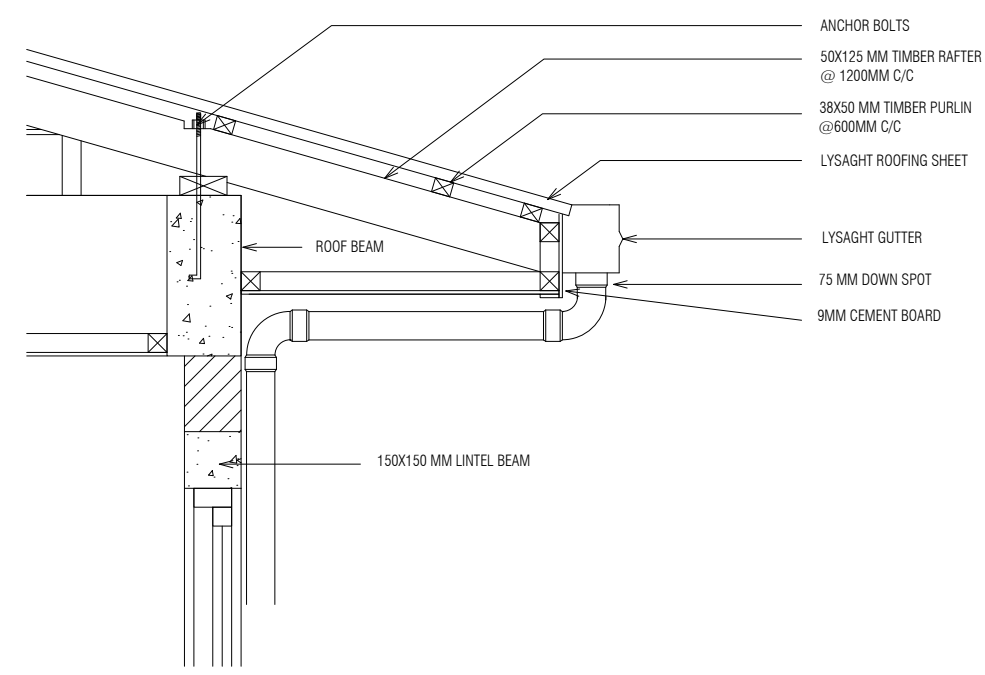
# DETAIL 01



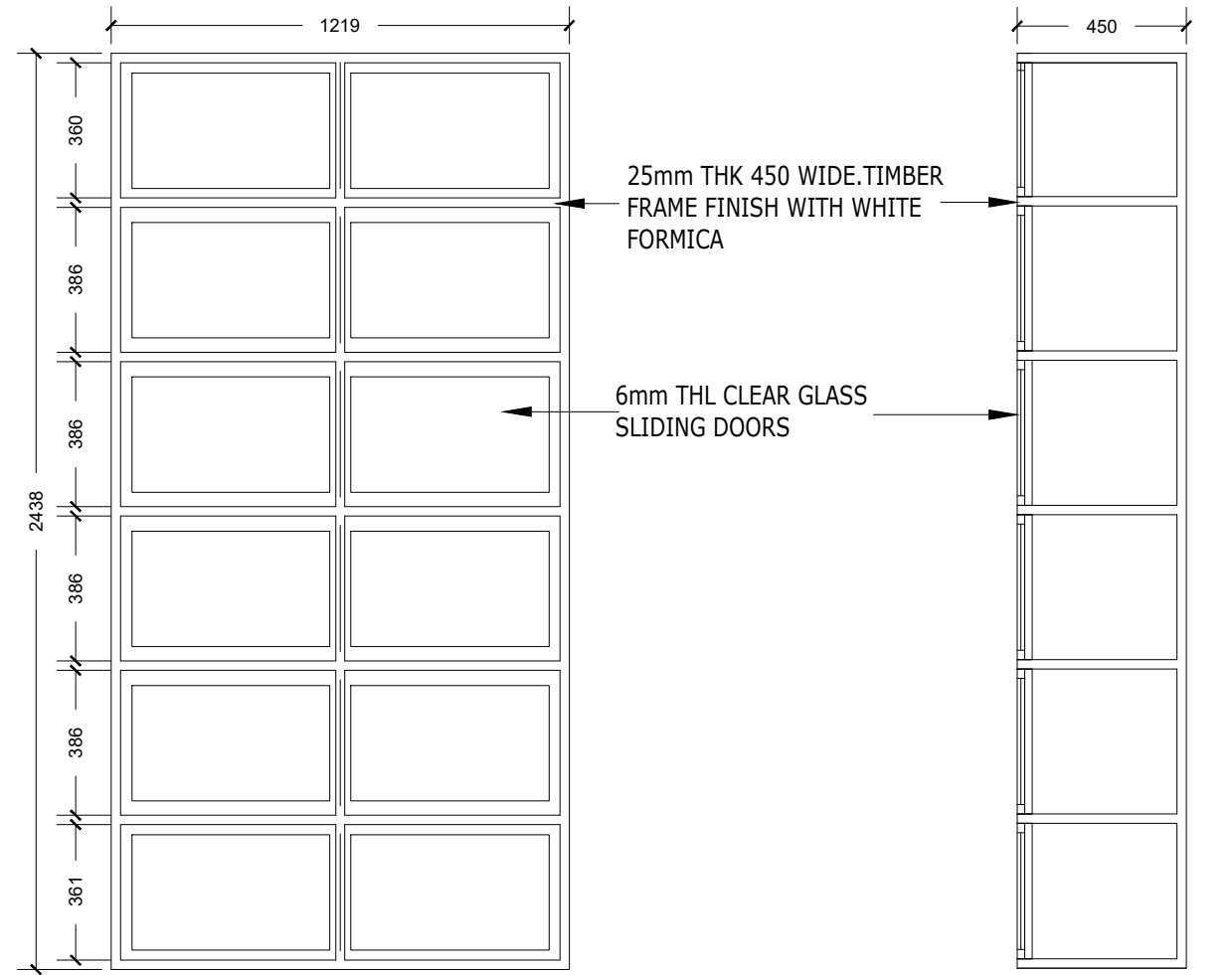
**DETAIL AT 01**  
SCALE 1:20



**DETAIL AT 02**  
SCALE 1:20

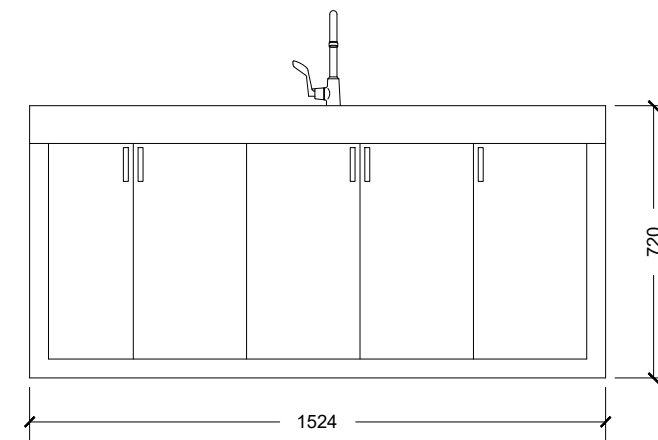
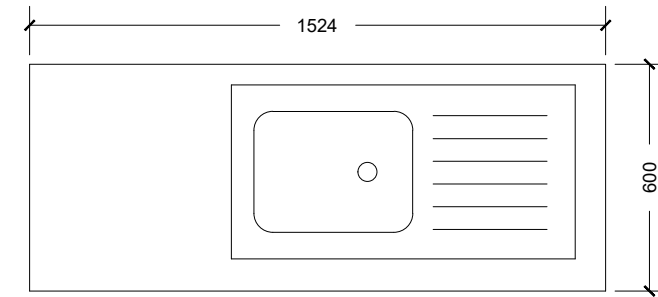


**DETAIL AT 03**  
SCALE 1:20



RACK DETAIL (ELEVATION)

RACK DETAIL (SECTION)

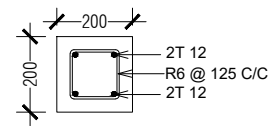


RACK DETAILS  
1:20

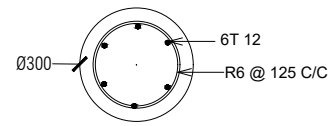
PANTRY CUPBOARD DETAILS  
1:20

**NOTE:**  
**FOUNDATION DEPTH 1200MM**  
**FOOTING DETAILS**  
 F1 - 850 x 850 x 300 - 5T10 @ 200 mm mm C/C B/W B1 & B2  
 F2 - 600 x 600 x 300 - 4T10 @ 200 mm C/C B/W B1 & B2  
 COVER - 50mm (WITH 50mm SCREED)

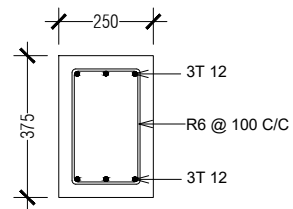
**GROUND SLAB DETAILS**  
 SLAB THICKNESS - 80mm  
 R6-200mm C/C SINGLE NET



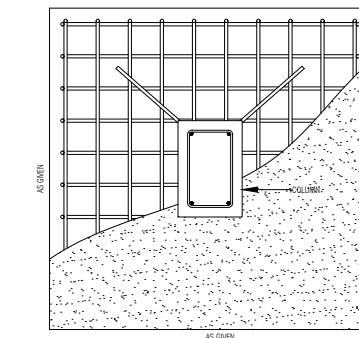
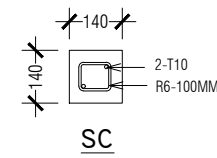
COLUMN C1



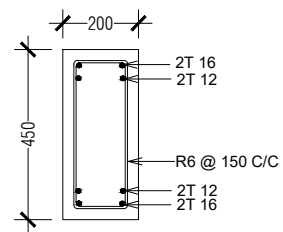
COLUMN C2



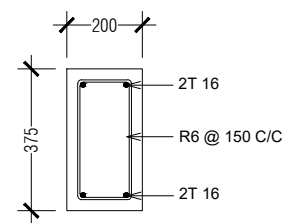
TIE BEAM



TYPICAL PLAN ( FOUNDATION PAD)

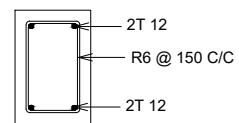


B1

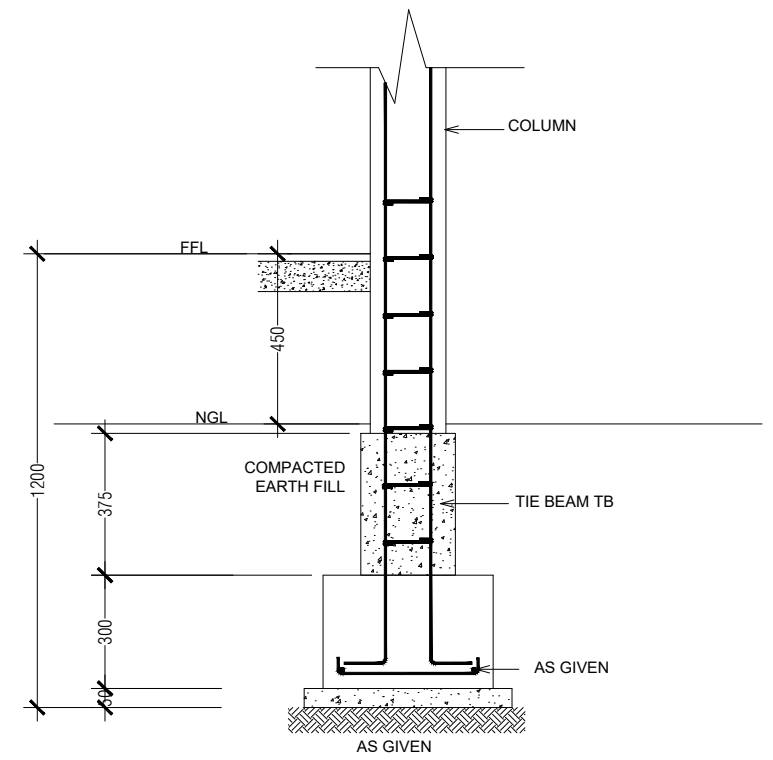


B2

ROOF BEAM



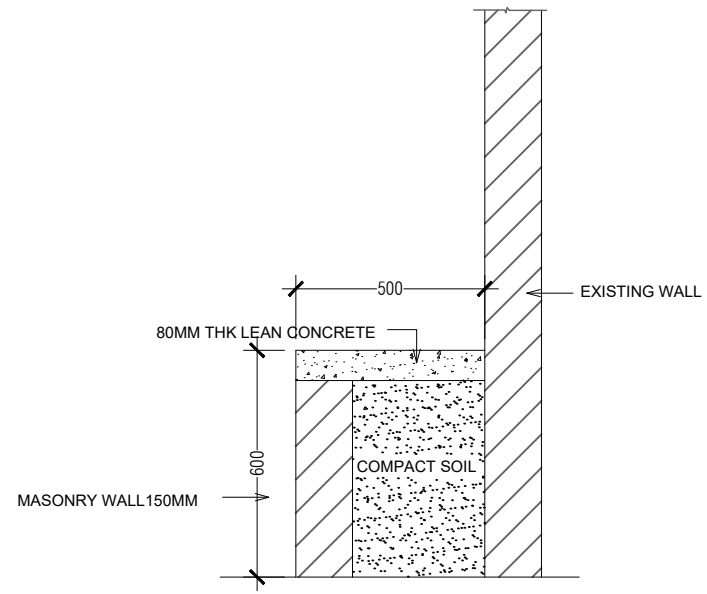
B3



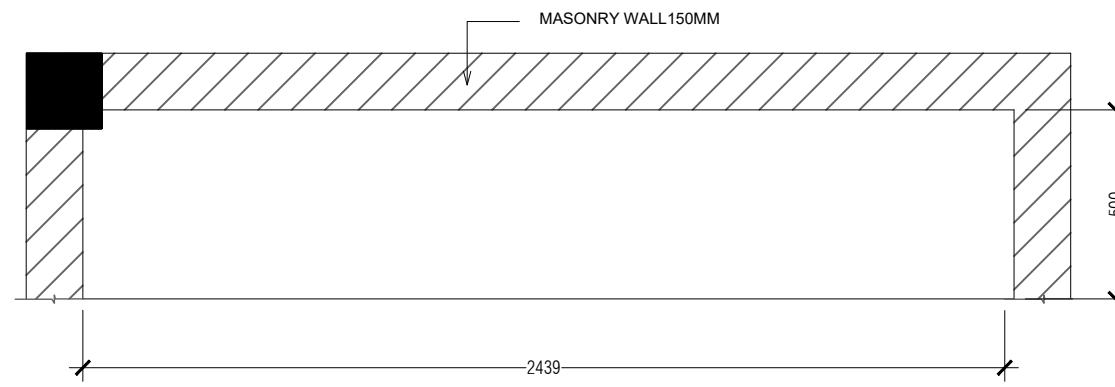
FOUNDATION BEAM (FB1)

**STRUCTURAL DETAIL**

SCALE 1:20



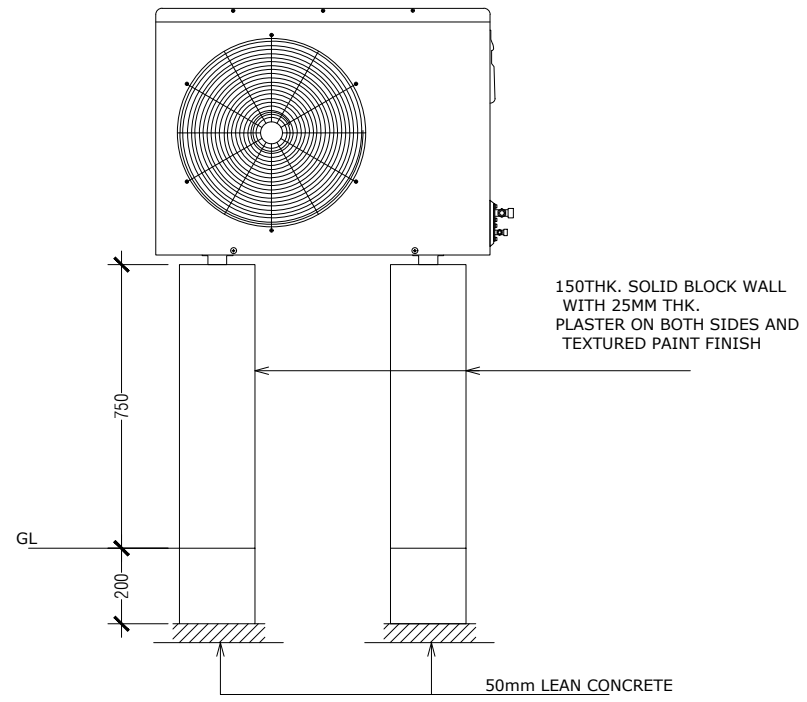
SECTION



PLAN

**BENCH CELL DETAIL**

SCALE 1:20



**AC outdoor mount details**

SCALE 1:20