

18.2. 18.1.1-
...
...
...

18.3. ...

19.1. ...
...
...

19. ...

...

...

...

() ...

20.1. ...
...
...

20. ...

20.2. ...

20.3. ...
...
...

21.1. ...
...
...

21. ...

...

...

21.2. ...
...
...

22.1. ...

22. ...

...

...

22.1.1. ...

22.1.2. ...

22.1.3. ...

23.1. ...

23. ...

...

2 - 2

2

1. 1.1		1.2
2. 2.1		
E-381/IUL-2024/64		2.2
3. 3.1		
3.2		3.3
4. 4.1		
4.2		4.3
5. 5.1		
5.2		5.3
5.4		5.5

3 - 3

3

1. 3		
	3	-1.1
	3	-1.2
	3	-1.3
	3	-1.4
	3	-1.5
	3	-1.6
	3	-1.7
	3	-1.8
2. 3		
#	3	3
	3	3
	3	3
	3	3
3. 3		

8 - ޖަހަވާލު
ޖަހަވާލުގެ ޖަހަވާލު

Form of Performance Bank Guarantee (Unconditional)

To:
[name & address of Purchaser]
.....
.....

WHEREAS [name and address of Supplier] (hereinafter called “the Supplier”) has undertaken, in pursuance of Contract No. dated to execute [name of Contract and brief description of Works] (hereinafter called “the Contract”);

AND WHEREAS it has been stipulated by you in the said Contract that the Supplier shall furnish you with a Bank Guarantee by a recognized bank for the sum specified therein as security for compliance with his obligations in accordance with the Contract;

AND WHEREAS we have agreed to give the Supplier such a Bank Guarantee;

NOW THEREFORE we hereby affirm that we are the Guarantor and responsible to you, on behalf of the Supplier, up to a total of *..... [amount of Guarantee] [amount in words], such sum being payable in the types and proportions of currencies in which the Contract Price is payable, and we undertake to pay you, upon your first written demand and without cavil or argument, any sum or sums within the limits of [amount of Guarantee] as aforesaid without your needing to prove or to show grounds or reasons for your demand for the sum specified therein.

*An amount is to be inserted by the Guarantor, representing the percentage of the Contract Price specified in the Contract, in Maldivian Rufiyaa.

We hereby waive the necessity of your demanding the said debt from the Supplier before presenting us with the demand.

We further agree that no change or addition to or other modification of the terms of the Contract or of the Works to be performed there under or of any of the Contract documents which may be made between you and the Supplier shall in any way release us from any liability under this Guarantee, and we hereby waive notice of any such change, addition, or modification.

This Guarantee shall be valid until the date of issue of the Defects Correction Certificate.

SIGNATURE AND SEAL OF THE GUARANTOR

Name of Bank

Address

.....

.....

Date

9 - ބަލަވާ ދަރިވަރު
ކަނޑުކަނޑުކަނޑުކަނޑުކަނޑުކަނޑު

Form of Bank Guarantee for Advance Payment

To:
[name & address of Purchaser]
.....
.....
[name of Contract]

Gentlemen:

In accordance with the provisions of the Conditions of Contract, of the above-mentioned Contract,[name and address of Supplier] (hereinafter called “the Supplier”) shall deposit with [name of Purchaser] a Bank Guarantee to guarantee his proper and faithful performance under the said Clause of the Contract in an amount of[amount of Guarantee][amount in words].

We, the [Bank or Financial Institution], as instructed by the Supplier, agree unconditionally and irrevocably to guarantee as primary obligator and not as Surety merely, the payment to [name of Purchaser] on his first demand without whatsoever right of objection on our part and without his first claim to the Supplier, in the amount not exceeding *..... [amount of Guarantee]..... [amount in words].

We further agree that no change or addition to or other modification of the terms of the Contract or of Works to be performed there under or of any of the Contract documents which may be made between[name of Purchaser] and the Supplier, shall in any way release us from any liability under this Guarantee, and we hereby waive notice of any such change, addition, or modification.

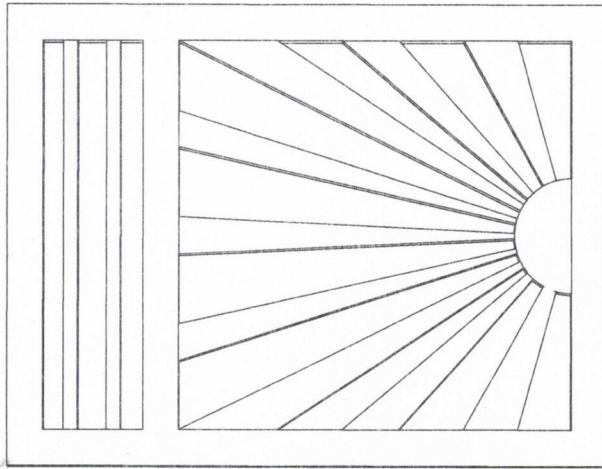
* An amount is to be inserted by the Bank or Financial Institution representing the amount of the Advance Payment, in Maldivian Rufiyaa.

This Guarantee shall remain valid and in full effect from the date of the advance payment under the Contract until[name of Purchaser] receives full repayment of the same amount from the Supplier.

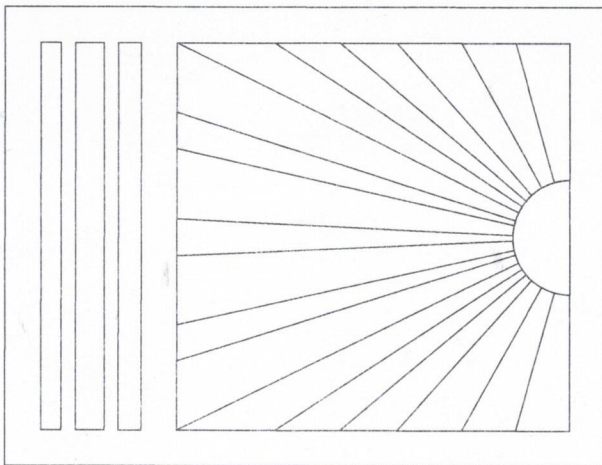
Yours truly,

SIGNATURE AND SEAL:

NAME & ADDRESS OF BANK/INSTITUTION



724 [2'-5"]



552 [1'-10"]