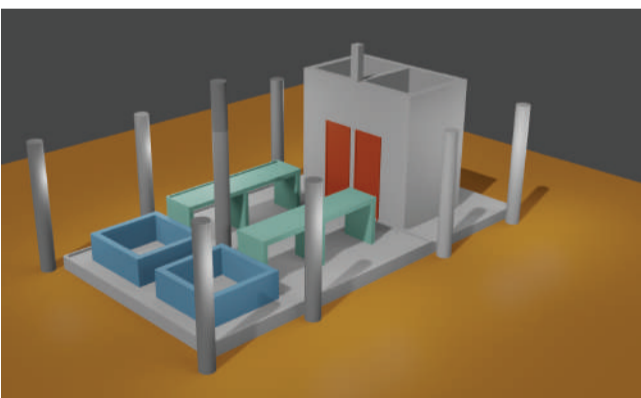
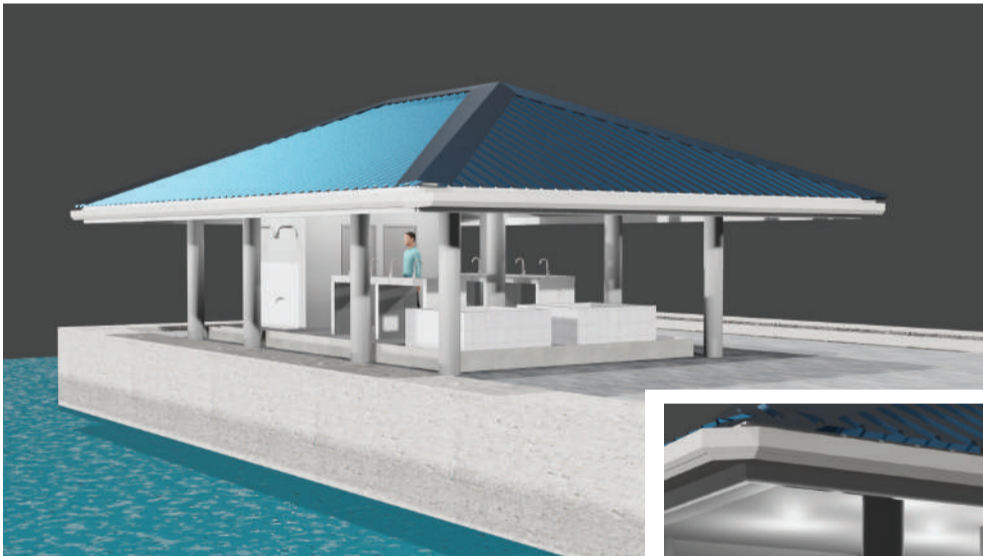
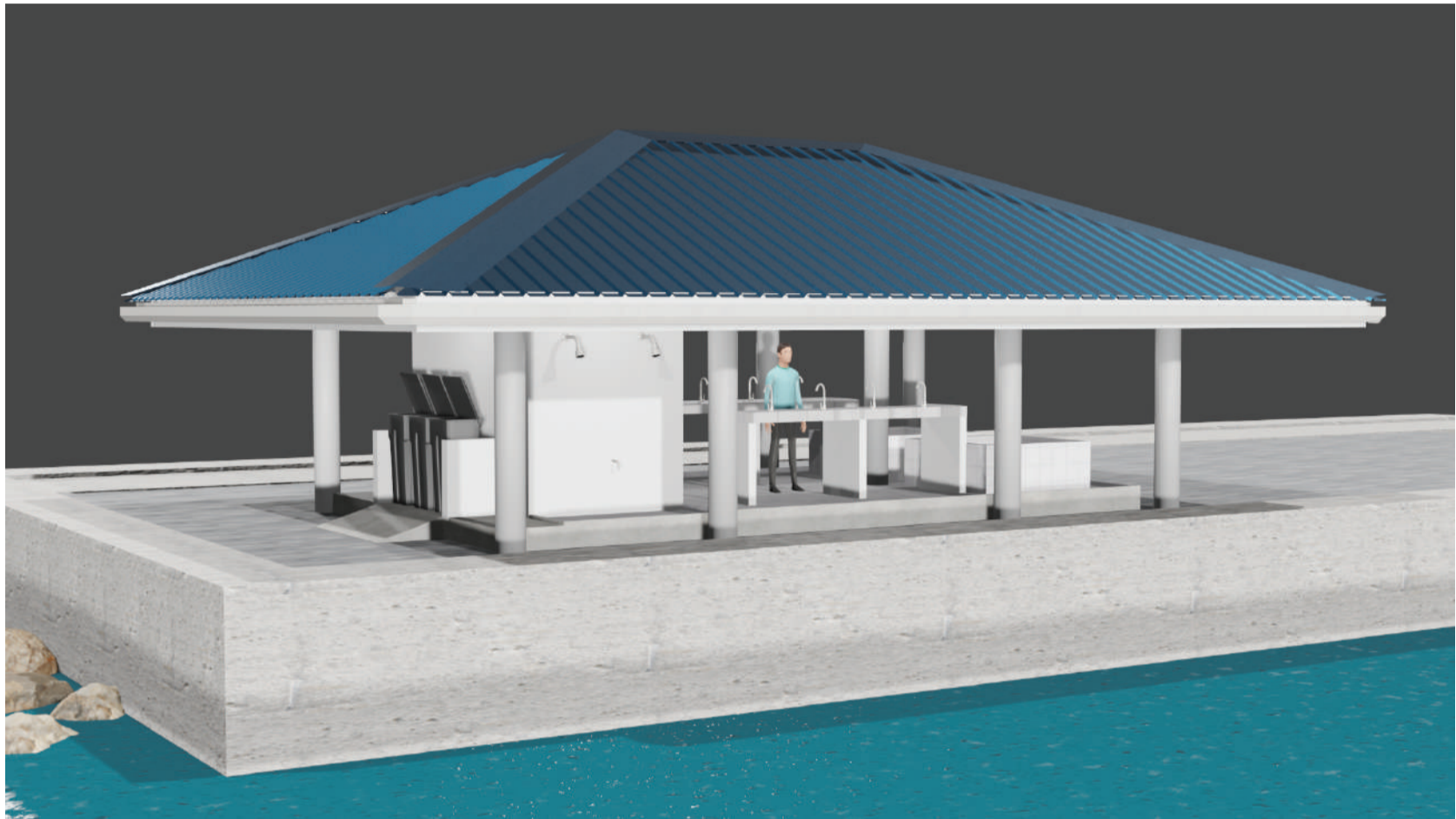
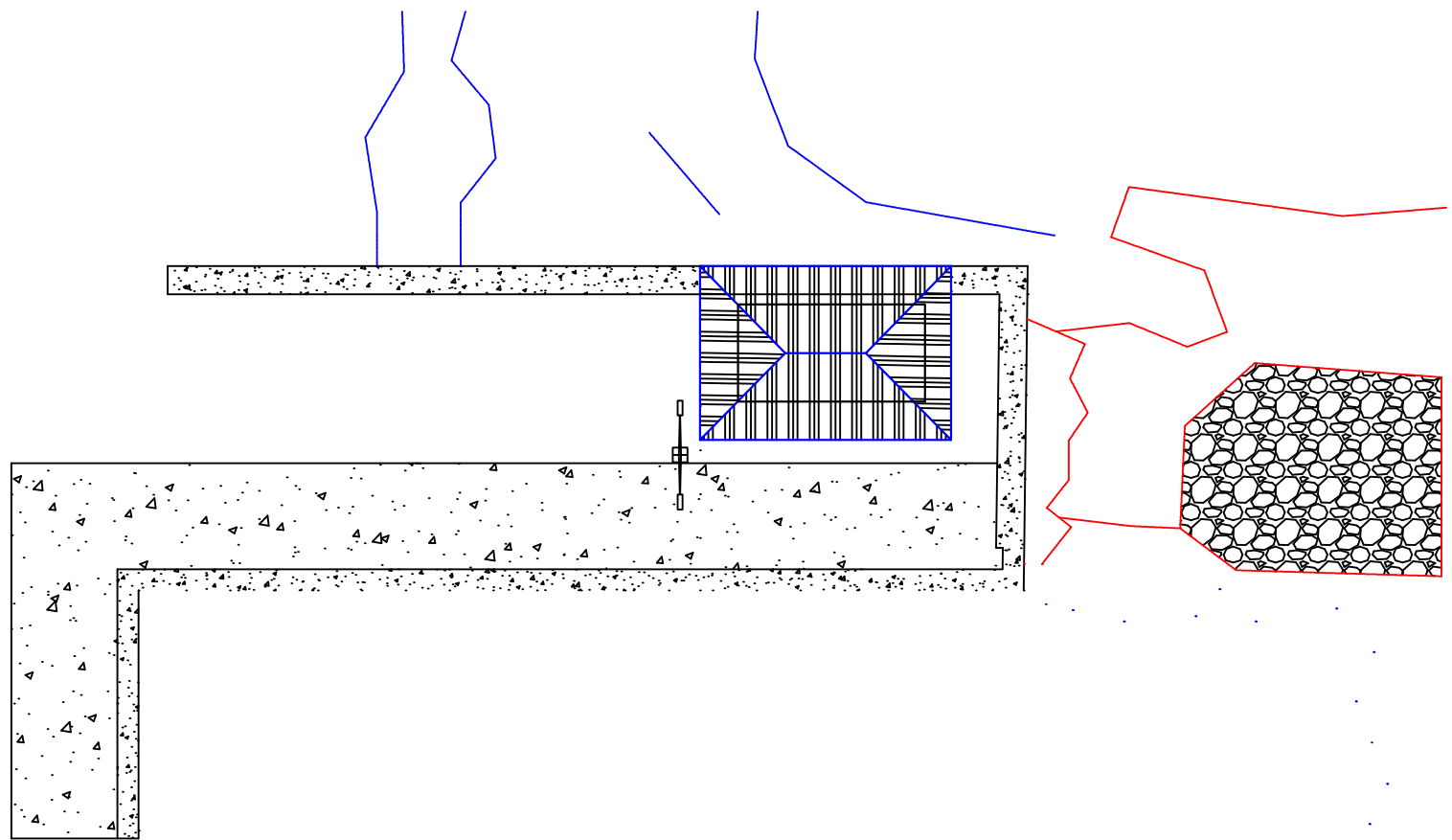


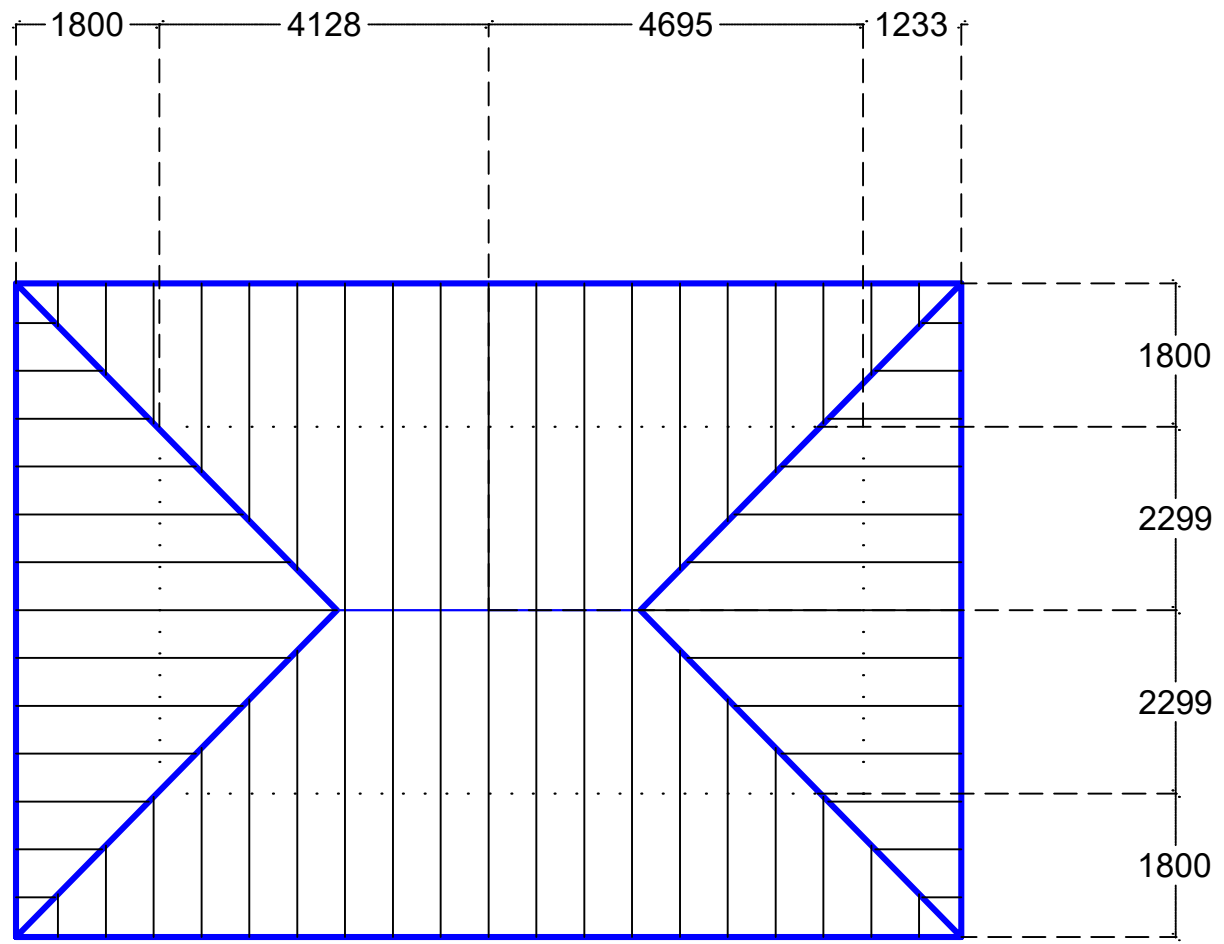
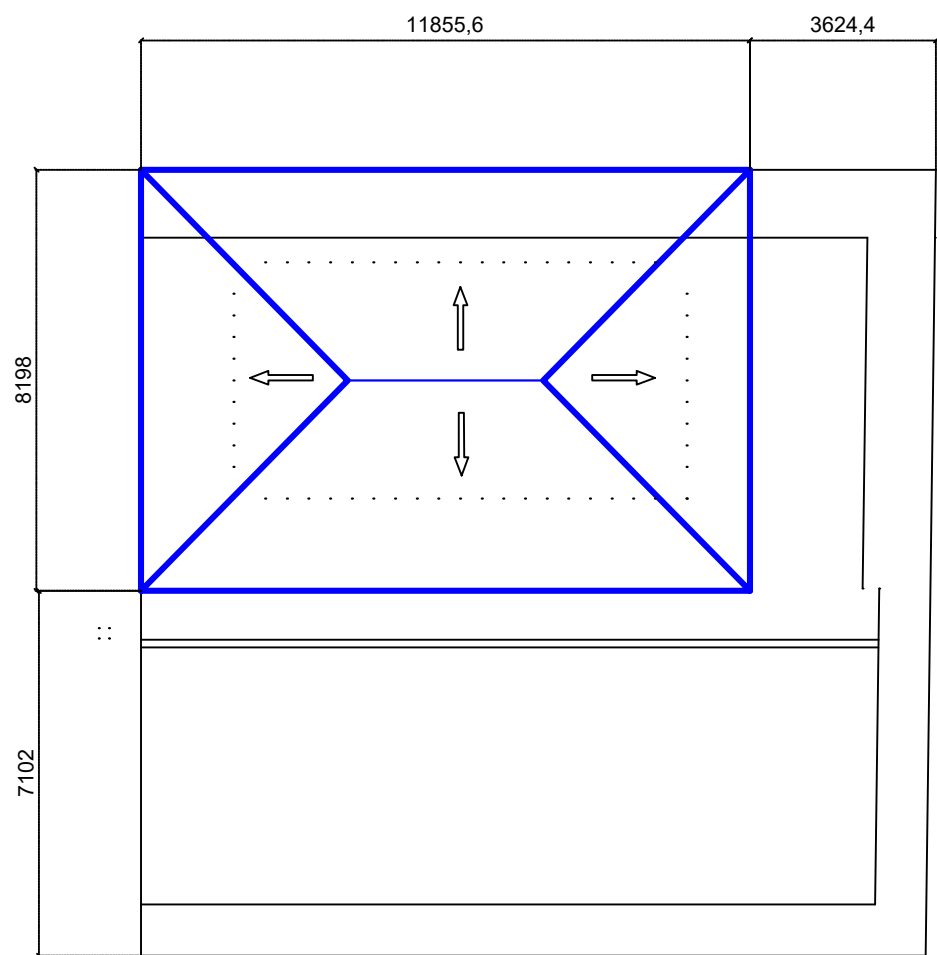
PROPOSED FISH MARKET / CLEANING STATION AT
HARBOR, H DH NELLAIIDHOO
6°42'55.1"N 72°56'57.6"E



CONCEPT BY: SECRETARIATE OF NELLAIIDHOO COUNCIL
DRAWN BY: EMSM SECTION / SECRETARIATE OF NELLAIIDHOO COUNCIL

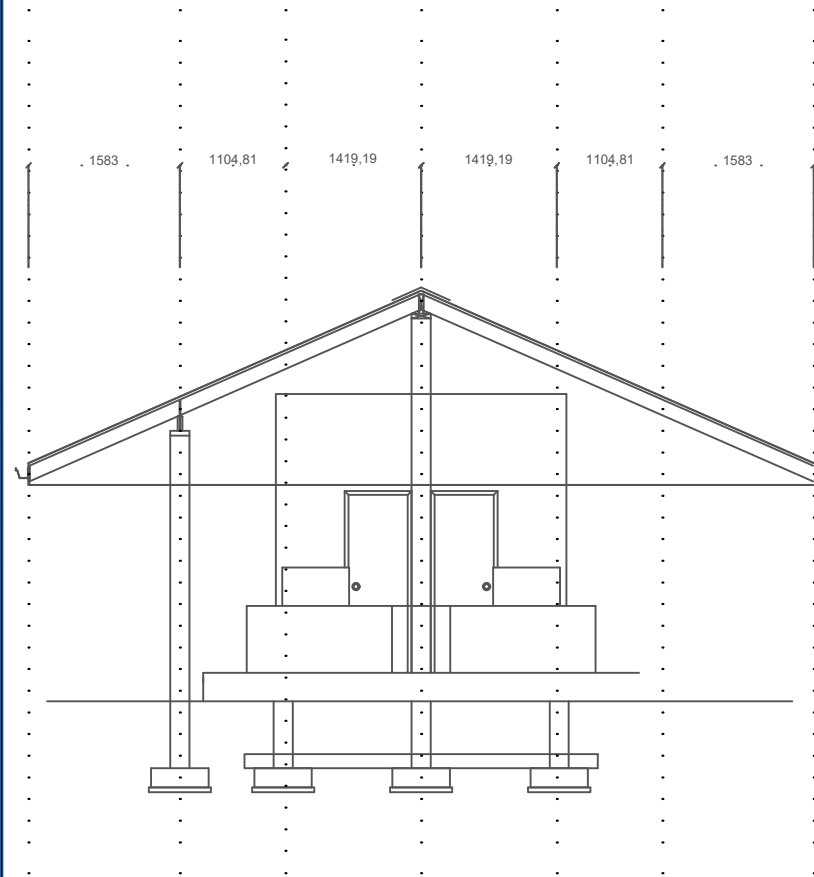


Notes:

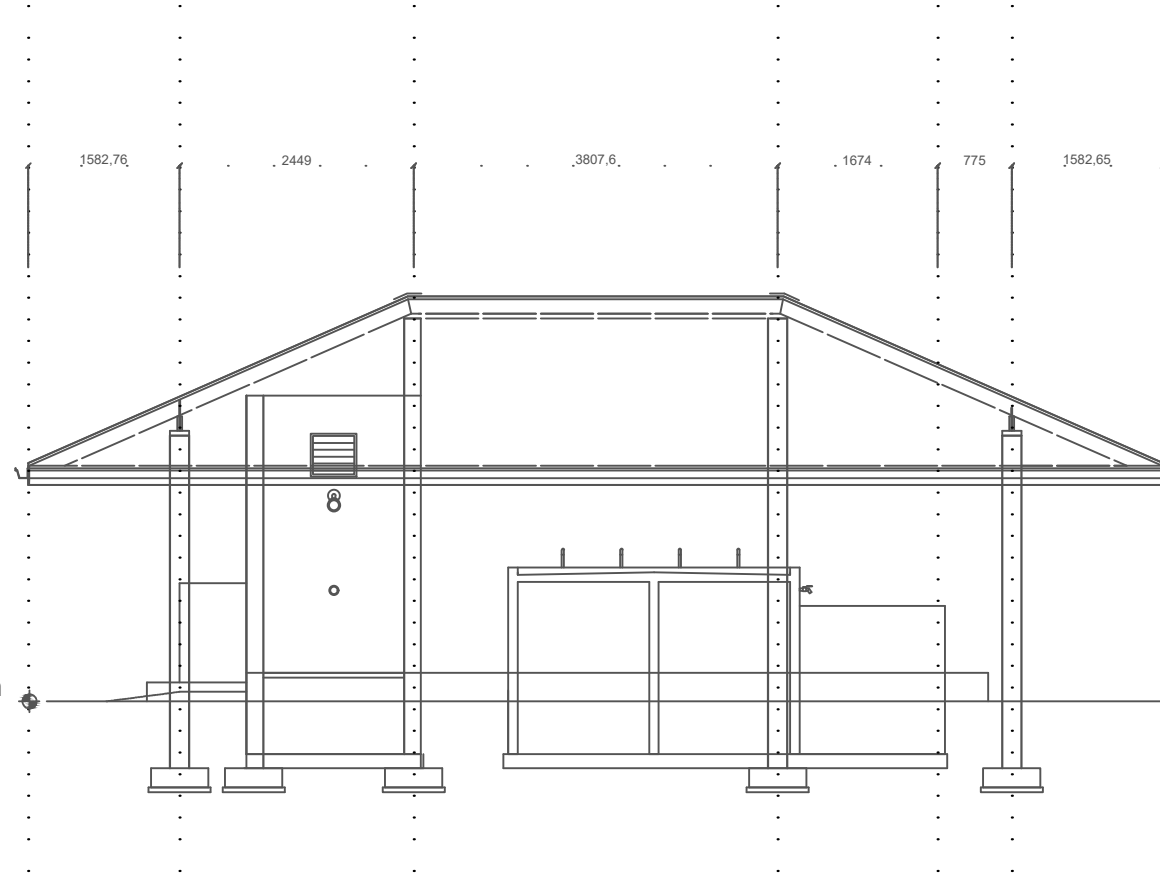
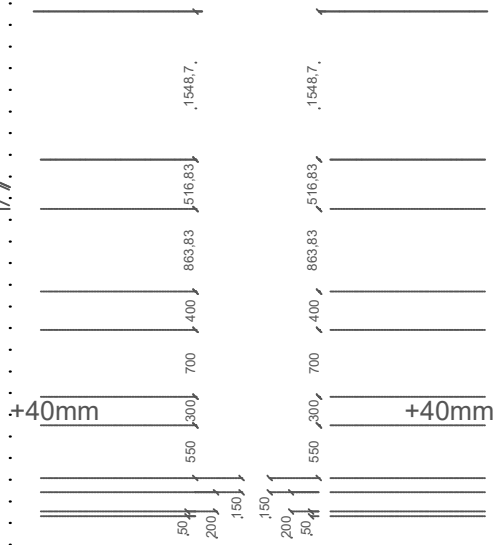


REV:	DESCRIPTION:	BY:	DATE:
---	---	---	---
STATUS: ---			
CLIENT: NELLAIHOO COUNCIL RAHVEHI MAGU H DH NELLAIHOO REPUBLIC OF MALDIVES			
ARCHITECT:			
SITE: FISH CLEANING STATION / MARKET / HARBOUR			
TITLE: SITE PLAN ---			
SCALE AT A3: 1:1	DATE: 01/06/2024	DRAWN: ESMS	CHECKED:
PROJECT NO: ---	DRAWING NO: A3/	REVISION: A	

Notes:



ELEVATION 1



ELEVATION 2

REV.	DESCRIPTION:	BY:	DATE:
---	---	---	---

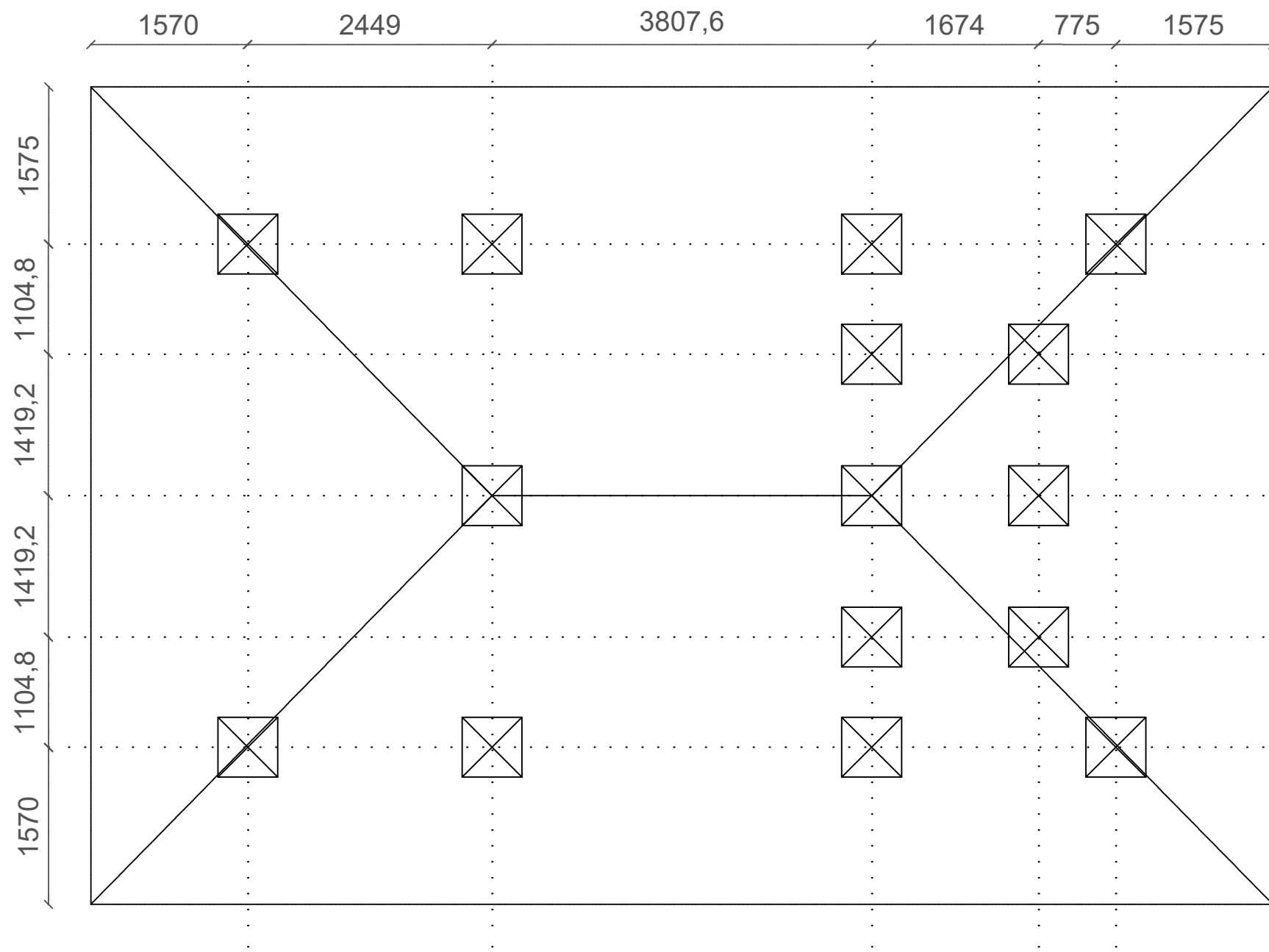
CLIENT: NELLAIIDHOO COUNCIL
RAHVEHI MAGU
H DH NELLAIIDHOO
REPUBLIC OF MALDIVES

ARCHITECT:

SITE: FISH CLEANING STATION /
MARKET / HARBOUR

TITLE: ELEVATION DETAILS

SCALE AT A3: 1:1	DATE: 01/06/2024	DRAWN: ESMS	CHECKED:
PROJECT NO: --	DRAWING NO: A3/	REVISION: A	



FOOTING PLAN

Notes:

REV.	DESCRIPTION:	BY:	DATE:
---	---	---	---

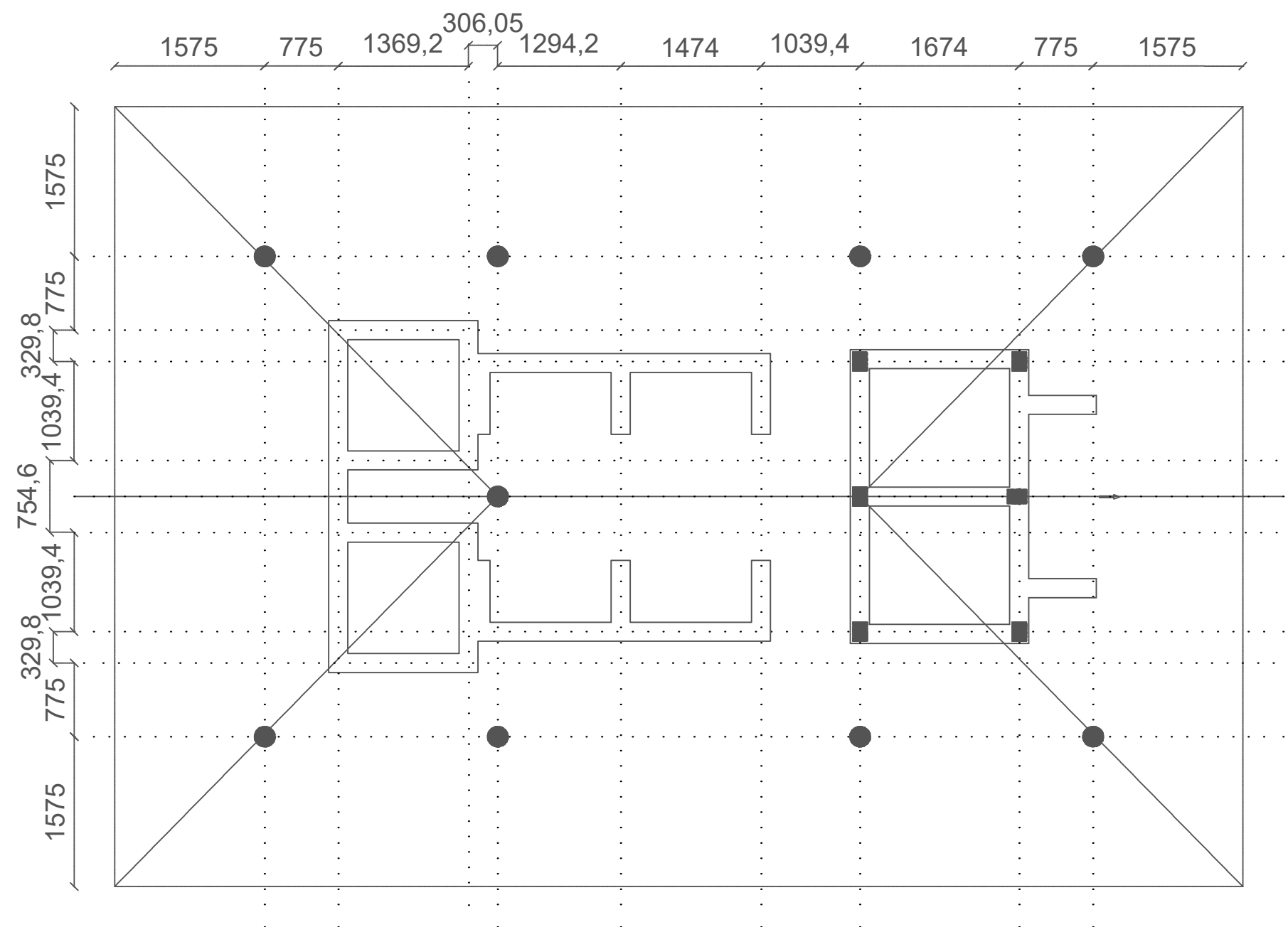
CLIENT: NELLAIIDHOO COUNCIL
 RAHVEHI MAGU
 H DH NELLAIIDHOO
 REPUBLIC OF MALDIVES

ARCHITECT:

SITE: FISH CLEANING STATION /
 MARKET / HARBOUR

TITLE: DETAILED FOOTING PLAN

SCALE AT A3: 1:1	DATE: 01/06/2024	DRAWN: ESMS	CHECKED:
PROJECT NO: --	DRAWING NO: A3/	REVISION: A	



FOUNDATION PLAN

Notes:

REV:	DESCRIPTION:	BY:	DATE:
---	---	---	---

CLIENT: NELLAIIDHOO COUNCIL
 RAHVEHI MAGU
 H DH NELLAIIDHOO
 REPUBLIC OF MALDIVES

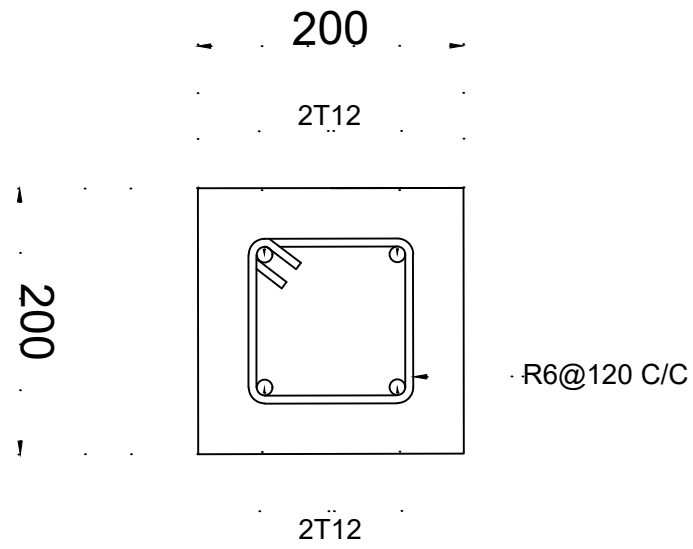
ARCHITECT:

SITE: FISH MARKET
 NELLAIIDHOO HARBOUR

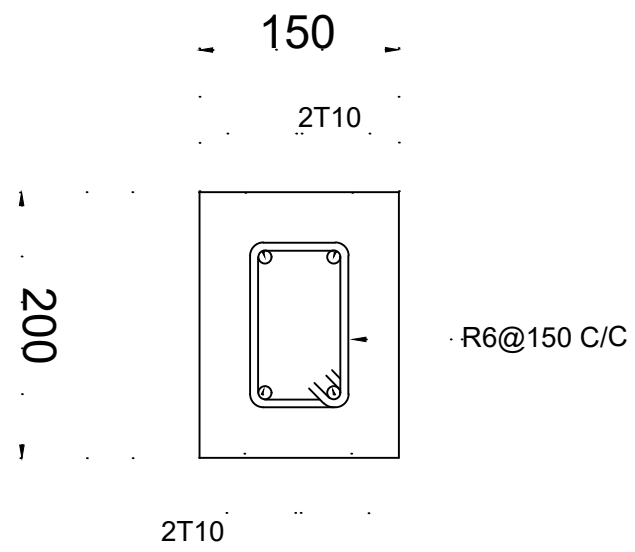
TITLE: FOUNDATION PLAN

SCALE AT A3:	DATE:	DRAWN:	CHECKED:
1:1	01/06/2024	ESMS	
PROJECT NO:	DRAWING NO:	REVISION:	
--	A3/	A	

Notes:

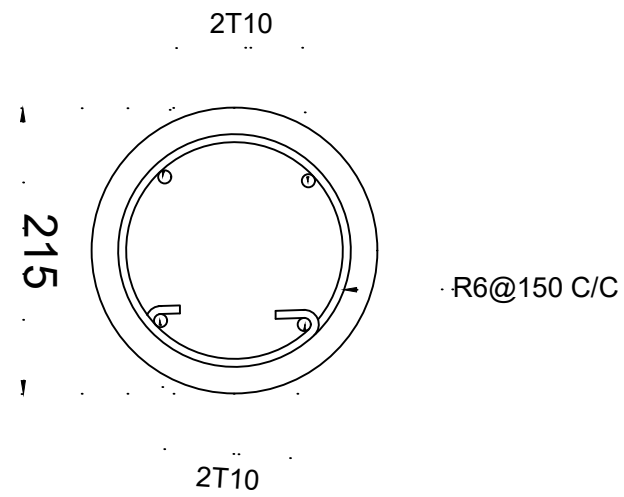


FOUNDATION BEAM

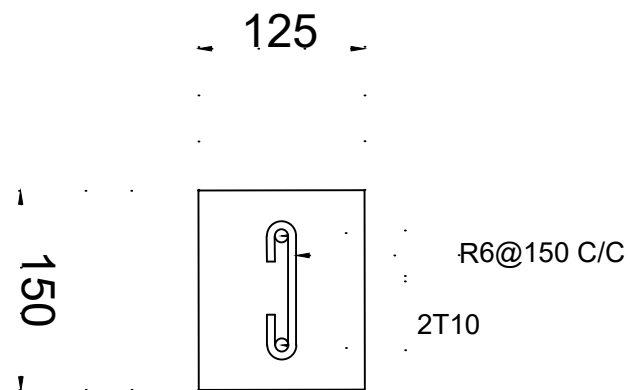


COLUMN 1

FOOTING DETAILS	
SIZE	REINFORCEMENT
600 X 600 X 200	T10@150 C/C



COLUMN 2



LINTEL BEAM

REV.	DESCRIPTION:	BY:	DATE:
---	---	---	---

--	--	--	--

CLIENT: NELLAIIDHOO COUNCIL
RAHVEHI MAGU
H DH NELLAIIDHOO
REPUBLIC OF MALDIVES

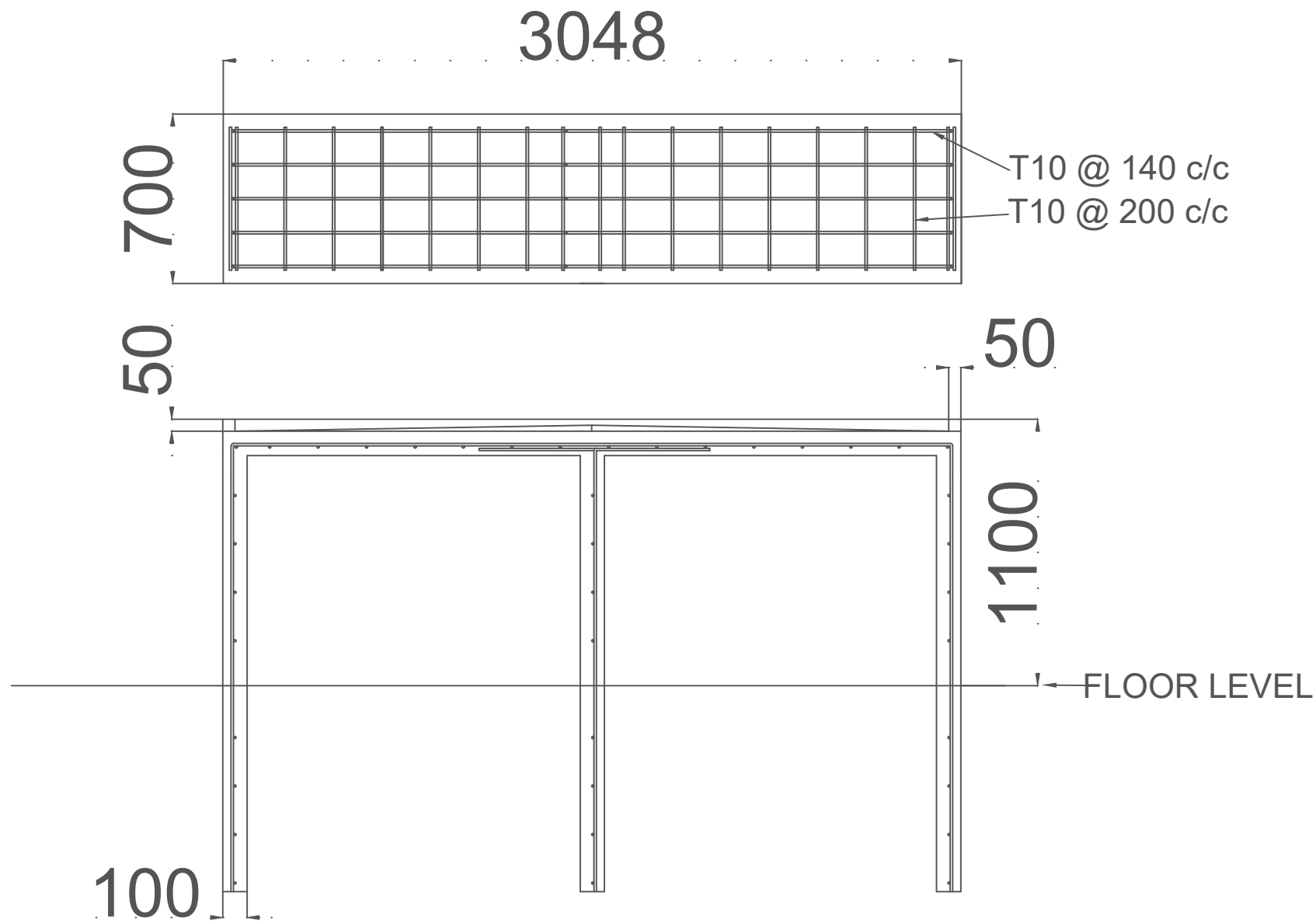
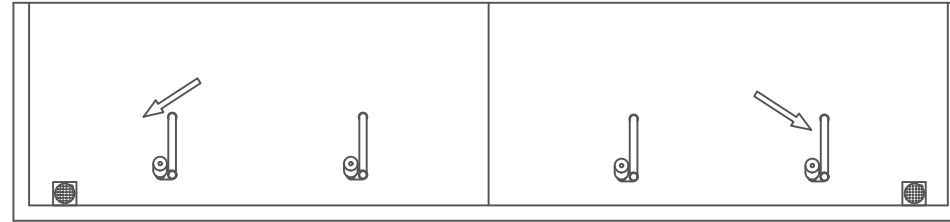
ARCHITECT:

SITE: FISH MARKET
NELLAIIDHOO HARBOUR

TITLE: DETAILS OF
COLUMNS & BEAMS

SCALE AT A3:	DATE:	DRAWN:	CHECKED:
1:1	01/06/2024	ESMS	
PROJECT NO:	DRAWING NO:	REVISION:	
--	A3/	A	

Cast in situ concrete, table top



Notes:

REV:	DESCRIPTION:	BY:	DATE:
---	---	---	---

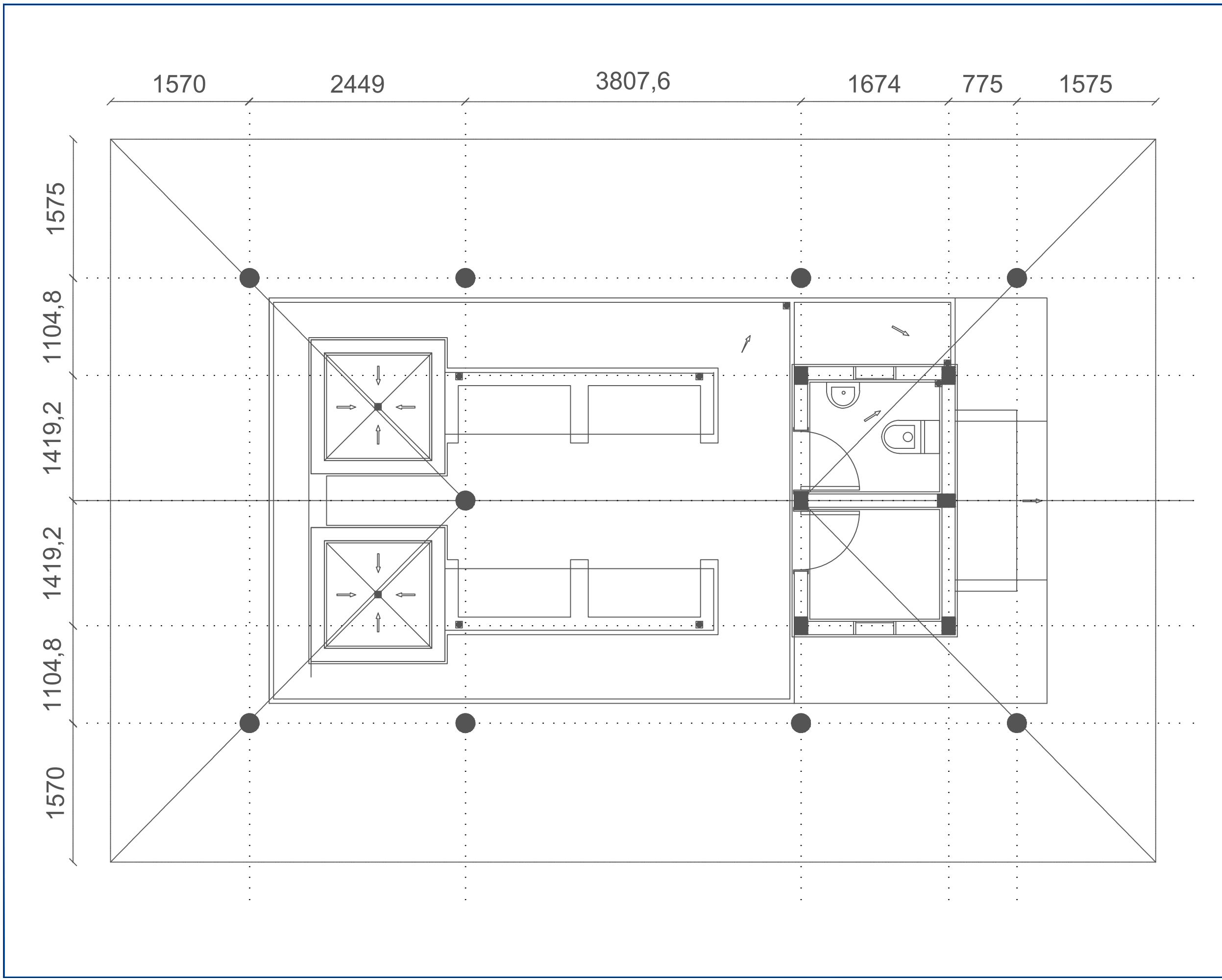
CLIENT: NELLAIIDHOO COUNCIL
RAHVEHI MAGU
H DH NELLAIIDHOO
REPUBLIC OF MALDIVES

ARCHITECT:

SITE: FISH MARKET
NELLAIIDHOO HARBOUR

TITLE: DETAILS OF
TABLE TOP

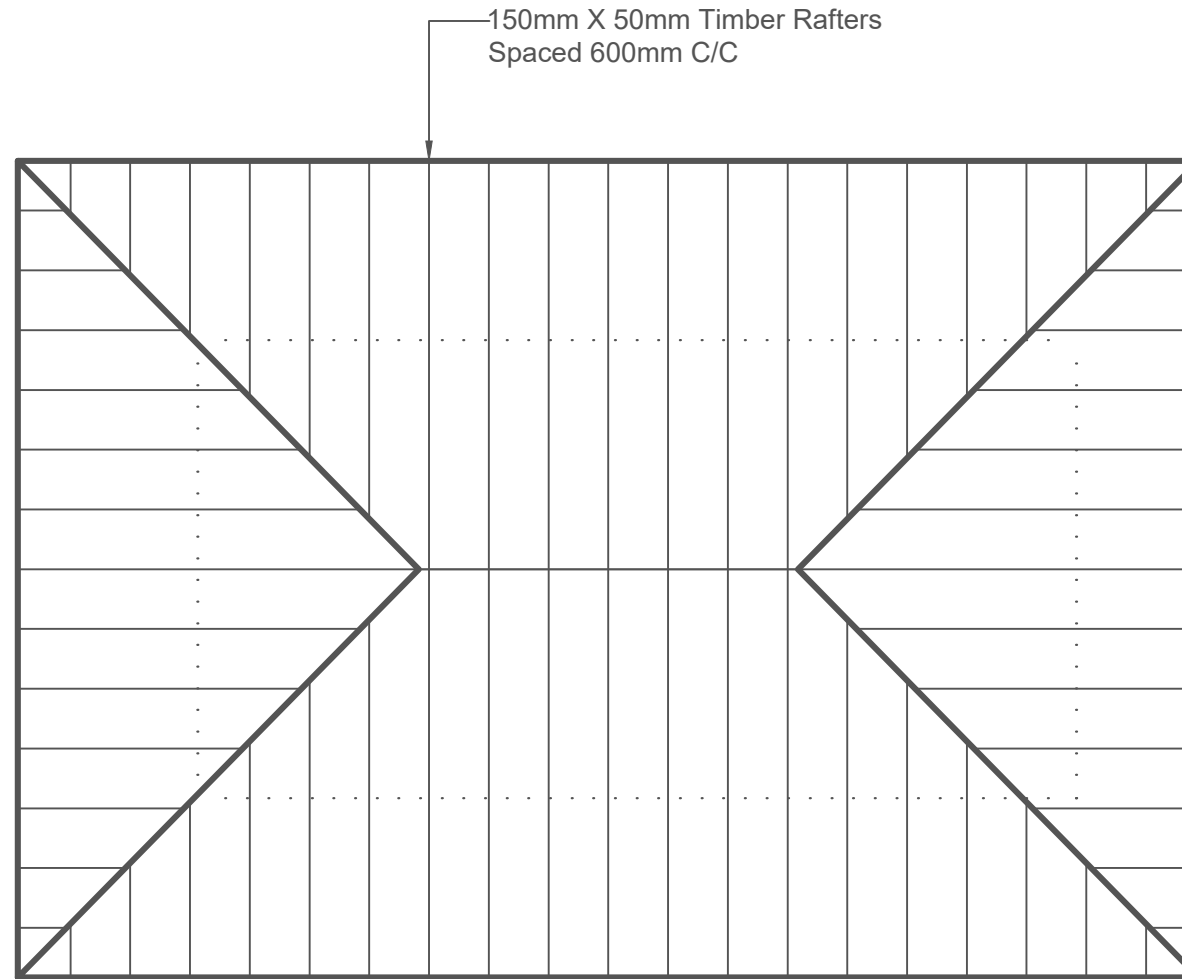
SCALE AT A3:	DATE:	DRAWN:	CHECKED:
1:1	01/06/2024	ESMS	
PROJECT NO:	DRAWING NO:	REVISION:	
--	A3/	A	



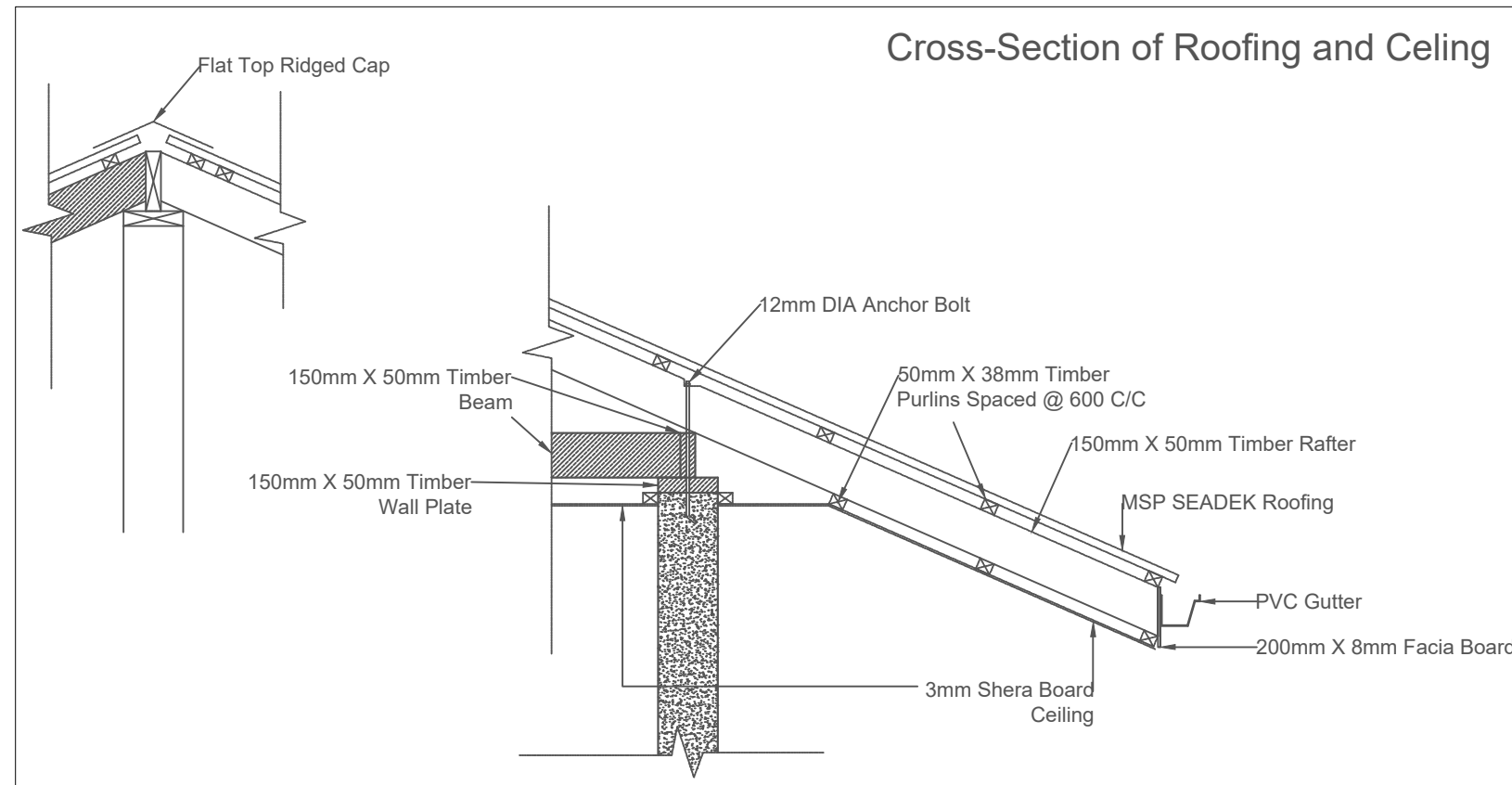
Notes:

REV:	DESCRIPTION:	BY:	DATE:
---	---	---	---
<p>CLIENT: NELLAIIDHOO COUNCIL RAHVEHI MAGU H DH NELLAIIDHOO REPUBLIC OF MALDIVES</p>			
<p>ARCHITECT:</p>			
<p>SITE: FISH CLEANING STATION / MARKET / HARBOUR</p>			
<p>TITLE: GROUND FLOOR PLAN ---</p>			
SCALE AT A3:	DATE:	DRAWN:	CHECKED:
1:1	01/06/2024	ESMS	
PROJECT NO:	DRAWING NO:	REVISION:	
--	A3/	A	

Roofing Plan



Cross-Section of Roofing and Ceiling



Notes:

REV:	DESCRIPTION:	BY:	DATE:
---	---	---	---

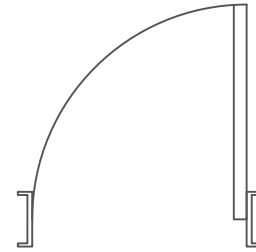
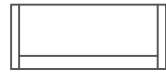
CLIENT:	NELLAIIDHOO COUNCIL RAHVEHI MAGU H DH NELLAIIDHOO REPUBLIC OF MALDIVES
ARCHITECT:	

SITE:	FISH CLEANING STATION / MARKET / HARBOUR
--------------	---

TITLE:	DETAILS OF ROOFING & CEILING PLAN
---------------	--------------------------------------

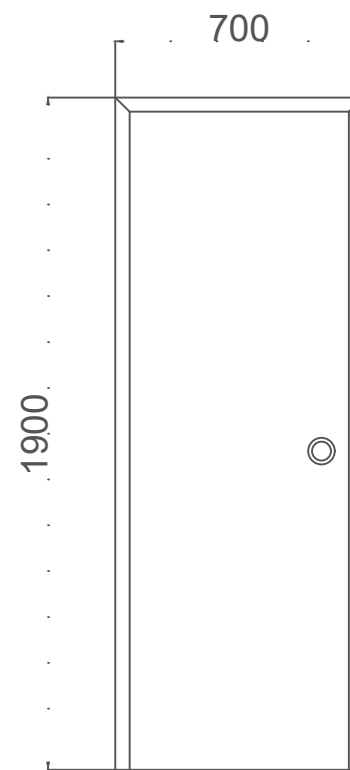
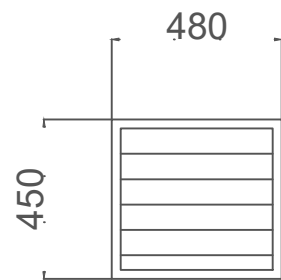
SCALE AT A3:	1:1	DATE:	01/06/2024	DRAWN:	ESMS	CHECKED:	
PROJECT NO:	--	DRAWING NO:	A3/	REVISION:	A		

PLAN VIEW



Notes:

ELEVATION VIEW



DETAILS

PVC / Aluminum Bathroom Vent
02 Nos

DETAILS

PVC / Aluminum Door Vent
02 Nos

REV.	DESCRIPTION:	BY:	DATE:

STATUS:	---
---------	-----

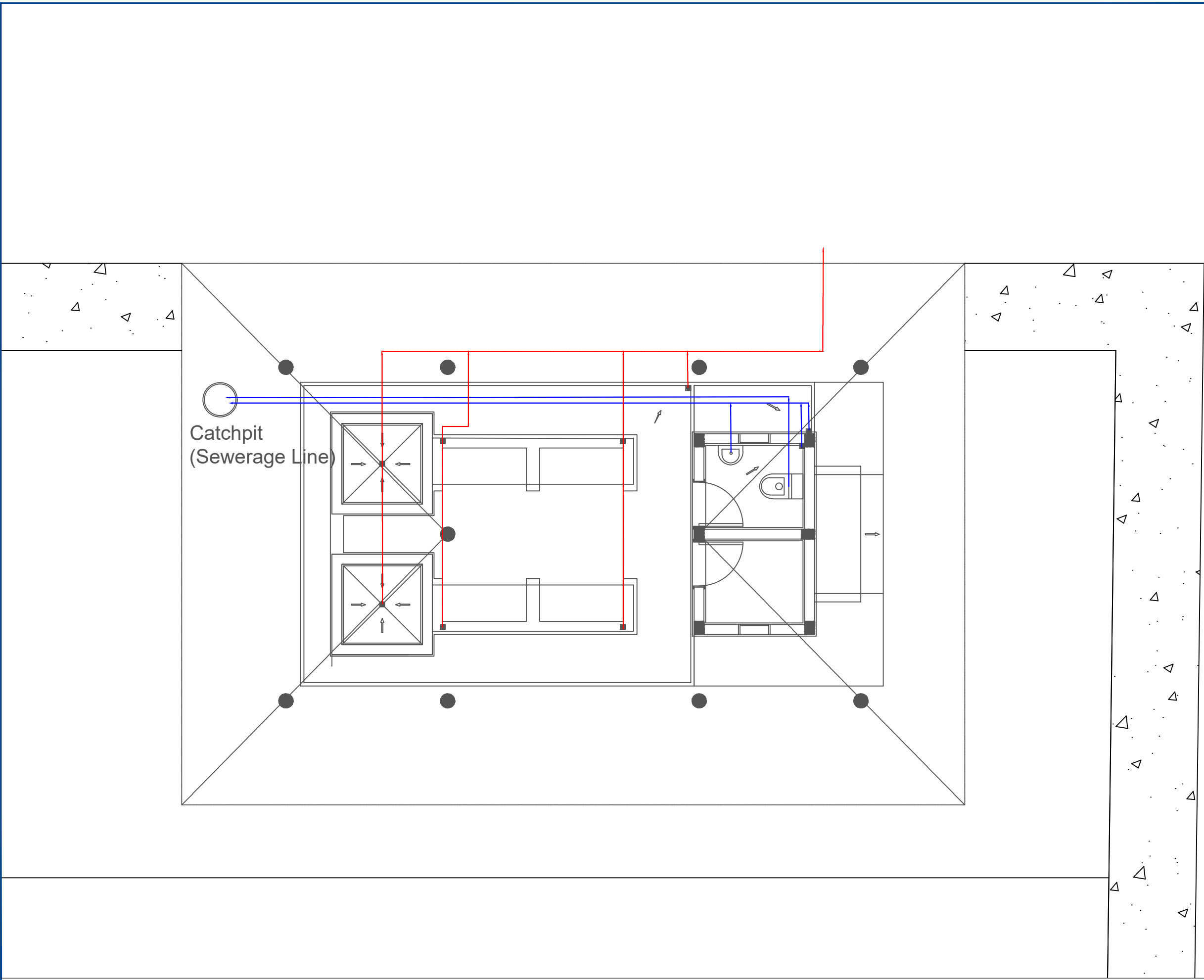
CLIENT: NELLAIIDHOO COUNCIL
RAHVEHI MAGU
H DH NELLAIIDHOO
REPUBLIC OF MALDIVES

ARCHITECT:

SITE: FISH CLEANING STATION /
MARKET / HARBOUR

TITLE: DETAILS OF
DOORS & WINDOWS

SCALE AT A3: 1:1	DATE: 01/06/2024	DRAWN: ESMS	CHECKED:
PROJECT NO: --	DRAWING NO: A3/	REVISION: A	



Notes:

← Plumbing sloped catchpit (Sewerage Line)
HP or MP PVC pipe

← Plumbing sloped to sea outfall
HP or MP PVC pipe

REV:	DESCRIPTION:	BY:	DATE:

STATUS: ---

CLIENT: NELLAIIDHOO COUNCIL
RAHVEHI MAGU
H DH NELLAIIDHOO
REPUBLIC OF MALDIVES

ARCHITECT:

SITE: FISH CLEANING STATION / MARKET / HARBOUR

TITLE: DETAILS OF SEWERAGE / DRAINAGE

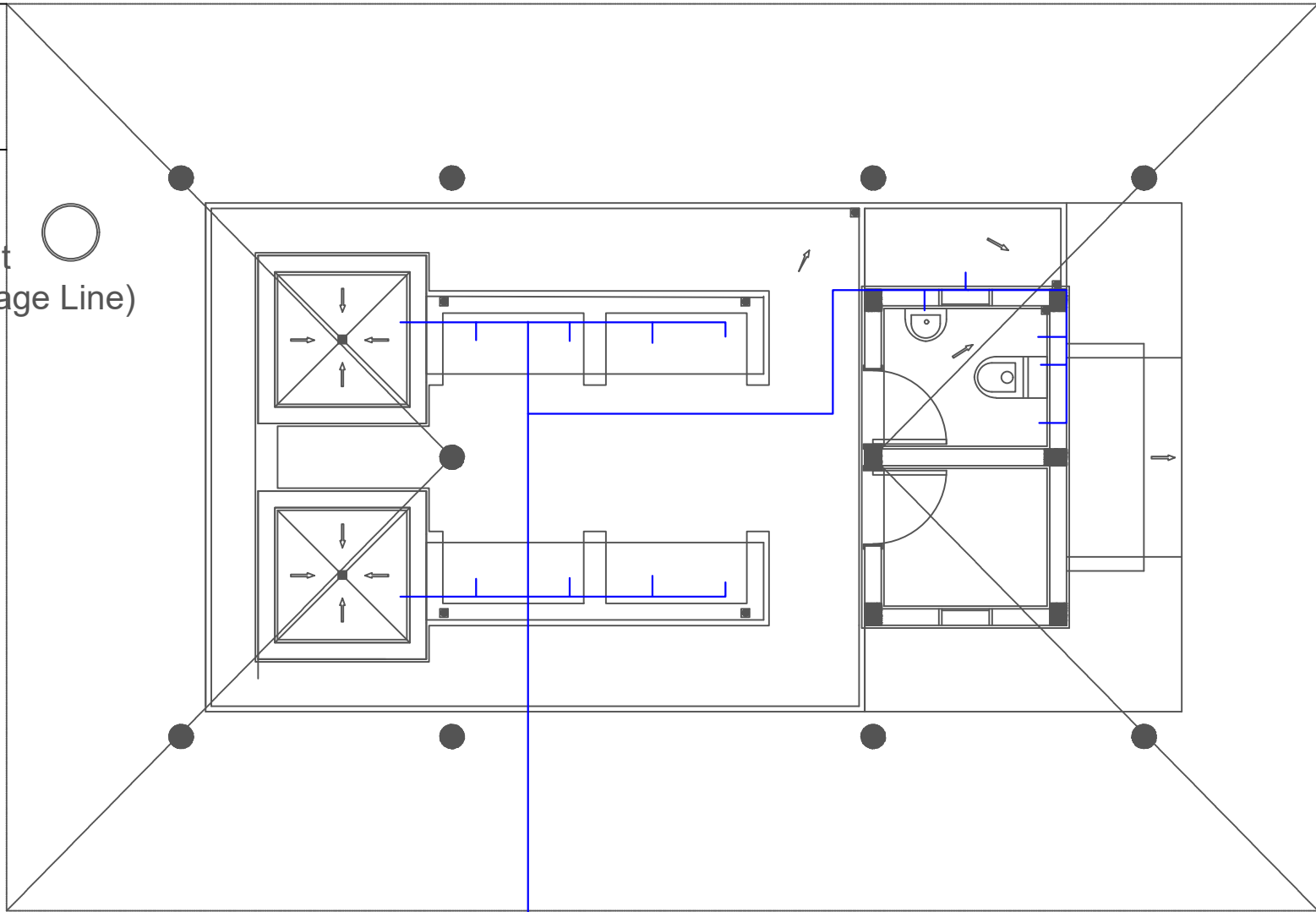
SCALE AT A3: 1:1	DATE: 01/06/2024	DRAWN: ESMS	CHECKED:
PROJECT NO: --	DRAWING NO: A3/	REVISION: A	

Notes:

Water Supply Lines
HP or MP PVC pipe

Existing Water Supply Line to Harbor

Catchpit
(Sewerage Line)



REV:	DESCRIPTION:	BY:	DATE:
---	---	---	---

CLIENT: NELLAIIDHOO COUNCIL
RAHVEHI MAGU
H DH NELLAIIDHOO
REPUBLIC OF MALDIVES

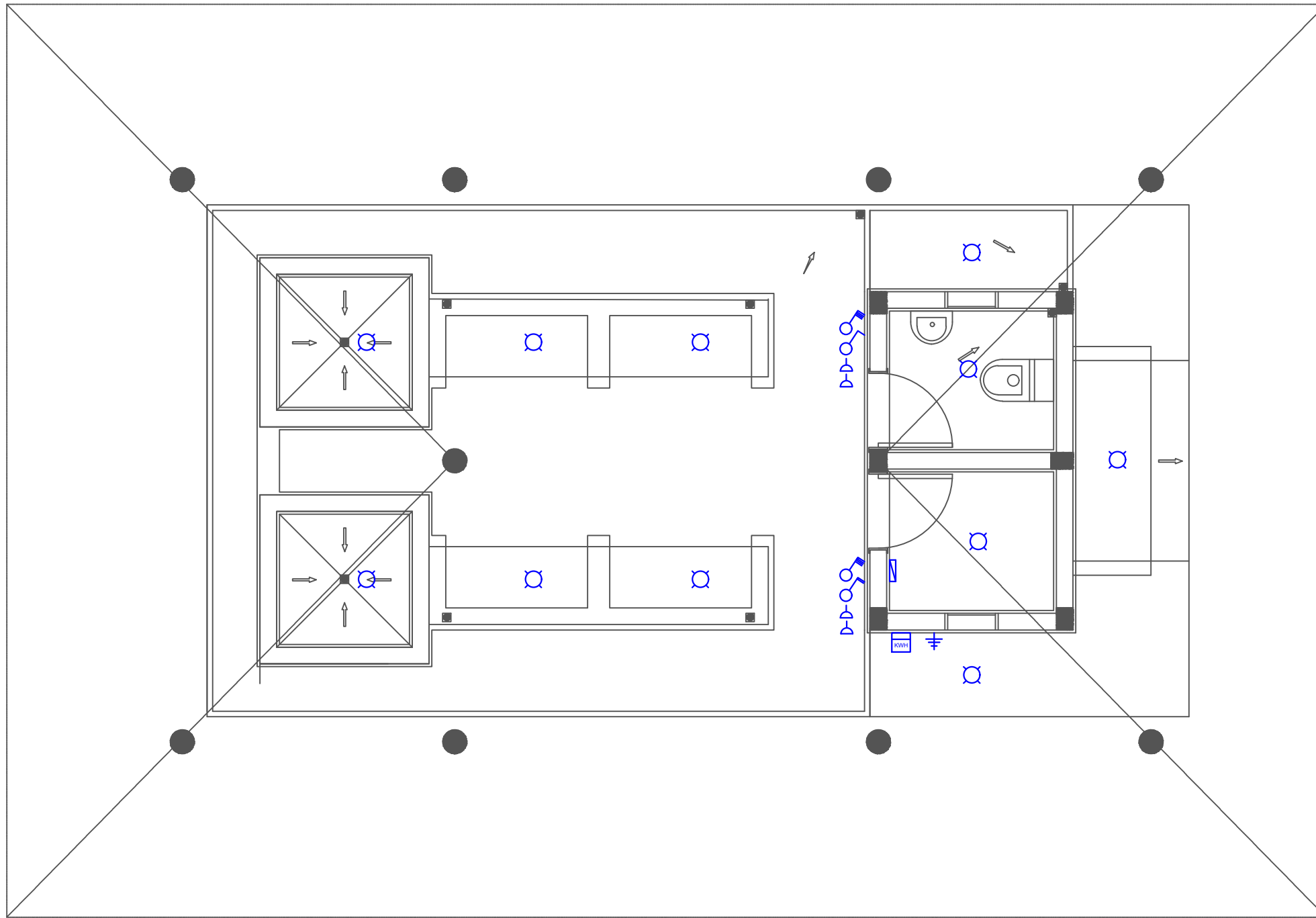
ARCHITECT:




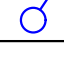

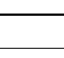
SITE: FISH CLEANING STATION /
MARKET / HARBOUR



TITLE: DETAILS OF
WATER SUPPLY

SCALE AT A3: 1:1	DATE: 01/06/2024	DRAWN: ESMS	CHECKED:
PROJECT NO: --	DRAWING NO: A3/	REVISION: A	

Notes:



DETAILS	
	CEILING LED LIGHT 24W
	1 GANG SWITC
	2 GANG SWITCH
	4 GANG SWITCH
	13A SOCKET
	DISTRIBUTION

	METER
	GROUND

REV:	DESCRIPTION:	BY:	DATE:
---	---	---	---

CLIENT: NELLAIIDHOO COUNCIL
RAHVEHI MAGU
H DH NELLAIIDHOO
REPUBLIC OF MALDIVES

ARCHITECT:

SITE: FISH CLEANING STATION /
MARKET / HARBOUR

TITLE: DETAILS OF
ELECTRICAL PLAN

SCALE AT A3: 1:1	DATE: 01/06/2024	DRAWN: ESMS	CHECKED:
PROJECT NO: --	DRAWING NO: A3/	REVISION: A	