



ޖަހާ ވަރުދާ 5

ފޯމް އޮފް ޕަރފޮމަންސް ގަވާއިދު

Form of Performance Guarantee

To:
[name & address of Purchaser]
.....
.....

WHEREAS [name and address of Supplier] (hereinafter called “the Supplier”) has undertaken, in pursuance of Contract No. dated to execute [name of Contract and brief description of Works] (hereinafter called “the Contract”);

AND WHEREAS it has been stipulated by you in the said Contract that the Supplier shall furnish you with a Bank Guarantee by a recognized bank for the sum specified therein as security for compliance with his obligations in accordance with the Contract;

AND WHEREAS we have agreed to give the Supplier such a Bank Guarantee;

NOW THEREFORE we hereby affirm that we are the Guarantor and responsible to you, on behalf of the Supplier, up to a total of *..... [amount of Guarantee] [amount in words], such sum being payable in the types and proportions of currencies in which the Contract Price is payable, and we undertake to pay you, upon your first written demand and without cavil or argument, any sum or sums within the limits of [amount of Guarantee] as aforesaid without your needing to prove or to show grounds or reasons for your demand for the sum specified therein.

*An amount is to be inserted by the Guarantor, representing the percentage of the Contract Price specified in the Contract, in Maldivian Rufiyaa.

We hereby waive the necessity of your demanding the said debt from the Supplier before presenting us with the demand.

We further agree that no change or addition to or other modification of the terms of the Contract or of the Works to be performed there under or of any of the Contract documents which may be made between you and the Supplier shall in any way release us from any liability under this Guarantee, and we hereby waive notice of any such change, addition, or modification.

This Guarantee shall be valid until the date of issue of the Defects Correction Certificate.

SIGNATURE AND SEAL OF THE GUARANTOR

Name of Bank

Address

.....

.....

Date



6 ވަނަ ބައި

ފޯމުގެ ދަށުން ސަރުކާރުގެ ސިޔާސަތު ހިންގުމަށް ފޯމުގެ ދަށުން

Form of Bank Guarantee for Advance Payment

To:
[name & address of Purchaser]

.....
[name of Contract]

Gentlemen:

In accordance with the provisions of the Conditions of Contract, of the above-mentioned Contract,
.....[name and address of Supplier]
(hereinafter called “the Supplier”) shall deposit with
..... [name of Purchaser] a Bank Guarantee to guarantee his proper and faithful
performance under the said Clause of the Contract in an amount of[amount of Guarantee]
.....[amount in words].

We, the
[Bank or Financial Institution], as instructed by the Supplier, agree unconditionally and irrevocably to
guarantee as primary obligator and not as Surety merely, the payment to
..... [name of Purchaser] on his first demand without whatsoever
right of objection on our part and without his first claim to the Supplier, in the amount not exceeding
* [amount of Guarantee].....
..... [amount in words].

We further agree that no change or addition to or other modification of the terms of the Contract or of Works
to be performed there under or of any of the Contract documents which may be made between
.....[name of Purchaser] and the Supplier, shall in
any way release us from any liability under this Guarantee, and we hereby waive notice of any such change,
addition, or modification.

* An amount is to be inserted by the Bank or Financial Institution representing the amount of the
Advance Payment, in Maldivian Rufiyaa.

This Guarantee shall remain valid and in full effect from the date of the advance payment under the Contract
until[name of Purchaser] receives full repayment of the same
amount from the Supplier.

Yours truly,
SIGNATURE AND SEAL:
NAME & ADDRESS OF BANK/INSTITUTION



8 - ބަނޑުވާ ގޮތުގައި

ބަނޑުވާ ގޮތުގައި ބަނޑުވާ ގޮތުގައި ބަނޑުވާ ގޮތުގައި

<p>ބަނޑުވާ ގޮތުގައި ބަނޑުވާ ގޮތުގައި</p>	<p>ބަނޑުވާ ގޮތުގައި ބަނޑުވާ ގޮތުގައި</p>	<p>ބަނޑުވާ ގޮތުގައި</p>	<p>ބަނޑުވާ ގޮތުގައި</p>
<p>(Benchmark Price) / Submitted Price) x Allocated percentage</p>	<ul style="list-style-type: none"> ❖ ބަނޑުވާ ގޮތުގައި ބަނޑުވާ ގޮތުގައި ބަނޑުވާ ގޮތުގައި ❖ ބަނޑުވާ ގޮތުގައި ބަނޑުވާ ގޮތުގައި ބަނޑުވާ ގޮތުގައި ❖ ބަނޑުވާ ގޮތުގައި ބަނޑުވާ ގޮތުގައި ބަނޑުވާ ގޮތުގައި 	<p>60%</p>	<p>ބަނޑުވާ ގޮތުގައި</p>
<p>(Submitted Number of experience documents) / Benchmark Number of exp. documents) x Allocated percentage</p>	<ul style="list-style-type: none"> ❖ ބަނޑުވާ ގޮތުގައި ބަނޑުވާ ގޮތުގައި ބަނޑުވާ ގޮތުގައި ❖ ބަނޑުވާ ގޮތުގައި ބަނޑުވާ ގޮތުގައި ބަނޑުވާ ގޮތުގައި 	<p>10%</p>	<p>ބަނޑުވާ ގޮތުގައި</p>
<p>(Benchmark Period) / (Submitted Period) x Allocated percentage</p>	<ul style="list-style-type: none"> ❖ ބަނޑުވާ ގޮތުގައި ބަނޑުވާ ގޮތުގައި ބަނޑުވާ ގޮތުގައި ❖ ބަނޑުވާ ގޮތުގައި ބަނޑުވާ ގޮތުގައި ބަނޑުވާ ގޮތުގައި 	<p>20%</p>	<p>ބަނޑުވާ ގޮތުގައި</p>
<p>(Benchmark Period) / (Submitted Period) x Allocated percentage</p>	<ul style="list-style-type: none"> ❖ ބަނޑުވާ ގޮތުގައި ބަނޑުވާ ގޮތުގައި ބަނޑުވާ ގޮތުގައި ❖ ބަނޑުވާ ގޮތުގައި ބަނޑުވާ ގޮތުގައި ބަނޑުވާ ގޮތުގައި 	<p>10%</p>	<p>ބަނޑުވާ ގޮތުގައި</p>
		<p>100%</p>	<p>ބަނޑުވާ ގޮތުގައި</p>



Secretariat of the Hoarafushi Council

Ha.Hoarafushi - Republic of Maldives

ދިވެހިރާއްޖޭގެ ޖުމްހޫރިއްޔާ ގުޅިގެން ހެލްޕް ސެކްޓަރުގެ ޖަލްސާ ގުޅިގެން
 ރައީސުލް ޖުމްހޫރިއްޔާ، ދިވެހިރާއްޖެ

މި ޖުމްހޫރިއްޔާގެ ޖުމްހޫރީ ޖަލްސާގެ ޖަލްސާ ގުޅިގެން ހެލްޕް ސެކްޓަރުގެ ޖަލްސާ ގުޅިގެން
 ޖުމްހޫރީ ޖަލްސާގެ ޖަލްސާ ގުޅިގެން ހެލްޕް ސެކްޓަރުގެ ޖަލްސާ ގުޅިގެން ހެލްޕް ސެކްޓަރުގެ ޖަލްސާ ގުޅިގެން
 ޖުމްހޫރީ ޖަލްސާގެ ޖަލްސާ ގުޅިގެން ހެލްޕް ސެކްޓަރުގެ ޖަލްސާ ގުޅިގެން ހެލްޕް ސެކްޓަރުގެ ޖަލްސާ ގުޅިގެން

<p>މި ޖުމްހޫރިއްޔާގެ ޖުމްހޫރީ ޖަލްސާގެ ޖަލްސާ ގުޅިގެން ހެލްޕް ސެކްޓަރުގެ ޖަލްސާ ގުޅިގެން</p> <p>ހެލްޕް ސެކްޓަރު:</p> <p>ސަރުކާރު:</p> <p>މަޢުލޫމާތު:</p> <p>ޖުމްހޫރީ ޖަލްސާ:</p>	<p>މި ޖުމްހޫރިއްޔާގެ ޖުމްހޫރީ ޖަލްސާގެ ޖަލްސާ ގުޅިގެން ހެލްޕް ސެކްޓަރުގެ ޖަލްސާ ގުޅިގެން</p> <p>ހެލްޕް ސެކްޓަރު:</p> <p>ސަރުކާރު:</p> <p>މަޢުލޫމާތު:</p> <p>ޖުމްހޫރީ ޖަލްސާ:</p>
<p>ހެލްޕް ސެކްޓަރު:</p> <p>ސަރުކާރު:</p> <p>މަޢުލޫމާތު:</p> <p>ޖުމްހޫރީ ޖަލްސާ: # 2015</p>	<p>ހެލްޕް ސެކްޓަރު:</p> <p>ސަރުކާރު:</p> <p>މަޢުލޫމާތު:</p> <p>ޖުމްހޫރީ ޖަލްސާ: # 2015</p>
<p>މި ޖުމްހޫރިއްޔާގެ ޖުމްހޫރީ ޖަލްސާގެ ޖަލްސާ ގުޅިގެން ހެލްޕް ސެކްޓަރުގެ ޖަލްސާ ގުޅިގެން</p> <p>ހެލްޕް ސެކްޓަރު:</p> <p>ސަރުކާރު:</p> <p>މަޢުލޫމާތު:</p> <p>ޖުމްހޫރީ ޖަލްސާ: # 2015</p> <p>މަޢުލޫމާތު ސަރުކާރު:</p> <p>ހެލްޕް ސެކްޓަރުގެ ޖަލްސާ ގުޅިގެން:</p>	<p>މި ޖުމްހޫރިއްޔާގެ ޖުމްހޫރީ ޖަލްސާގެ ޖަލްސާ ގުޅިގެން ހެލްޕް ސެކްޓަރުގެ ޖަލްސާ ގުޅިގެން</p> <p>ހެލްޕް ސެކްޓަރު:</p> <p>ސަރުކާރު:</p> <p>މަޢުލޫމާތު:</p> <p>ޖުމްހޫރީ ޖަލްސާ: # 2015</p> <p>މަޢުލޫމާތު ސަރުކާރު:</p> <p>ހެލްޕް ސެކްޓަރުގެ ޖަލްސާ ގުޅިގެން:</p>

(19) ޯޅުމުގެ ސަބަބުން ސަރުކާރުގެ ސިޔާސަތު ހަދަން ފޯމުލަތު ހިންގަން (މި ސަބަބުން 1000 ޖަހަން)



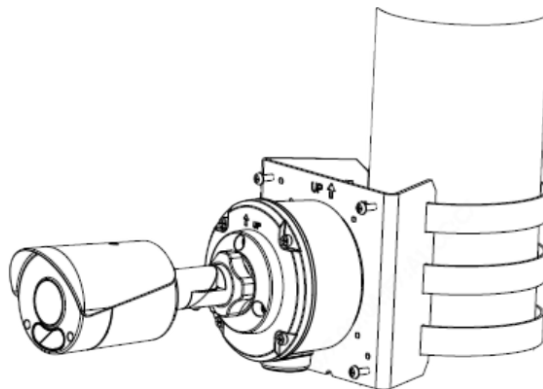
Supply and installation of Hoarafushi Bandharu CCTV Cameras.

Camera Specification

5MP HD Mini IR Fixed Bullet Network Camera (Qty 48)

- High quality image with 5MP, 1/2.7"CMOS sensor
- 5MP (2880*1620) @ 30/25fps; 4MP (2560*1440)@ 30/25fps; 3MP (2304*1296) @30/25fps; 2MP (1920*1080) @30/25fps;
- Ultra 265, H.265, H.264, MJPEG
- Easy star technology ensures high image quality in low illumination environment
- 120dB true WDR technology enables clear image in strong light scene
- Support 9:16 Corridor Mode
- Built-in Mic
- Smart IR, up to 50m (164ft) IR distance
- Supports 256 G Micro SD card
- IP67 protection
- Support PoE power supply
- 3-Axis

Note: Must include pole mount and outdoor camera waterproof junction box



NVR Specification

64-Channel Input NVR (Qty 1)

- Support Ultra H.265/H.265/H.264 video formats
- 16/32/64-channel input
- Supports mainstream cameras of ONVIF conformance (Profile S, Profile G, Profile T) and RTSP protocols
- Support 2-ch HDMI, 1-ch VGA. HDMI1 and HDMI2 up to 4K (3840x2160) resolution
- HDMI1, HDMI2, VGA independent outputs provided
- Up to 12 Megapixels resolution recording
- Support RAID 0, 1, 5, 6, 10
- Various fisheye dewarping modes for live view and playback for both web interface and GUI
- Support N+1 Hot spare
- Support for 12V Power output
- ANR technology to enhance the storage reliability when the network is disconnected

Note: Minimum 30 days recording

Network Switch Specification (Indoor)

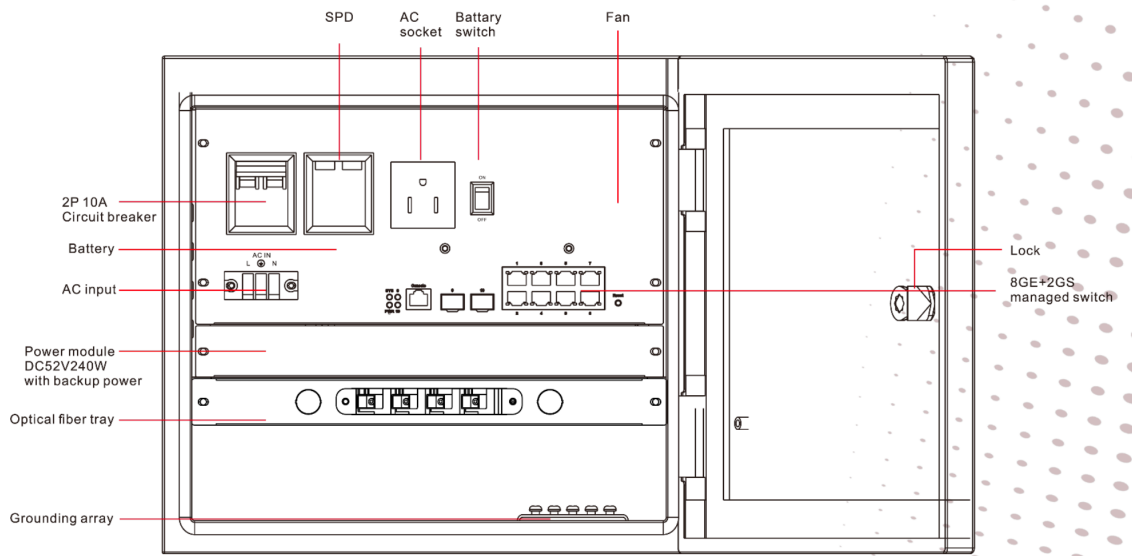
28-Port Gigabit Smart Switch with 24-Port PoE+ (Qty 1)

24× 802.3at/af-compliant PoE+ ports with a total power supply of 250 W*. Full Gigabit Ports: 24× gigabit PoE+ ports and 4× gigabit SFP Slots provide high-speed connections

Network Switch Specification (Outdoor) (Qty 6)

Industrial Outdoor PoE Managed Switch 8Port Full Gigabit PoE + 2Gigabit SFP Uplink

Parameter	Specifications
Power input	AC 100~240V, 50/60Hz, 10A
AC output	controlled AC output 1 channels; support for remote control of single channel; support shows the single circuit voltage and the current value;
Consumption	Self-consumption<15W, PoE output 285W max
Ethernet ports parameter	1~8 ports: 10/100/1000Base-T 30W PoE RJ45(IEEE802.3af/at) 9~10 ports: 1000M SFP slots
Console port	RJ45 to serial port (38400,8,N,1)
Reset key	Short press restart , >5s press recovery to default
Cable and distance	Use cat5e/6, 100m max.
Backup power	if AC power down, 200W load go on 10~15 minute at temperature
Battery	48V2.6AH lithium iron phosphate battery
Standard	IEEE802.3, IEEE802.3u, IEEE802.3z
Switch fabric	20Gbps
Though put	14.88Mpps
Buffer	1M
MAC address table	8K
Indicator	Power: 1 *red ; Downlink 1~8: On RJ45 green LEDs indicate Link/Act, yellow LEDs indicate PoE Uplink9, 10: On RJ45 green LEDs indicate Link/Act
Protection	Surge: 6KV, standard: IEC61000-4-5 ESD: 6KV: contact 8KV: air, standard:IEC61000-4-2
ESD	6KV: contact / 8KV: air, standard:IEC61000-4-2
Working temperature	-20°C~65°C
Storage temperature	-40°C~85°C
Humidity	0~95%(No condensation)
Dimension(L×W×H)	350mm×220mm×260mm
Material	Metal
Color	White
Net-weight	8KG



Network Rack 9U (Qty 1)



Additional Items :

Item Name	Qty
32 inch TV	1