

Fig 1

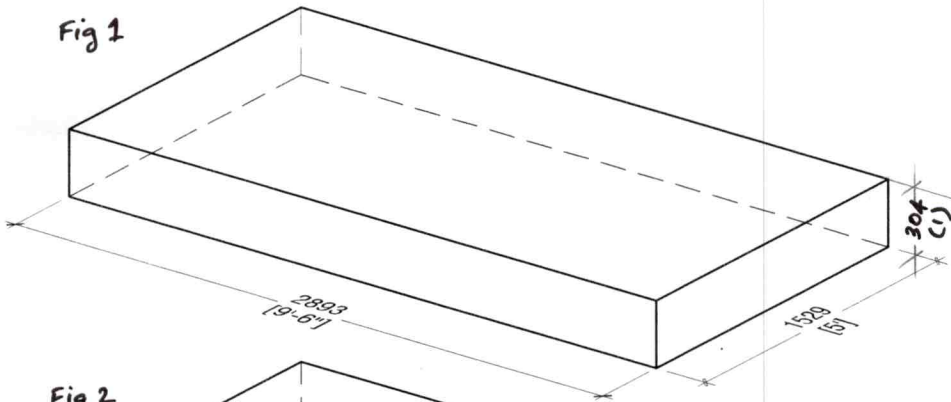


Fig 2

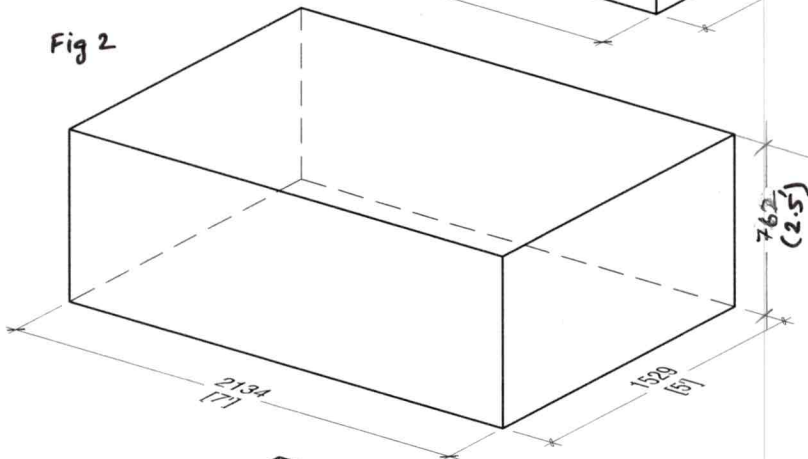


Fig 3

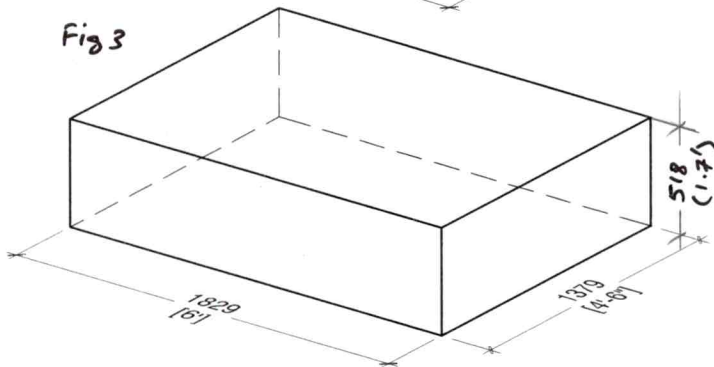
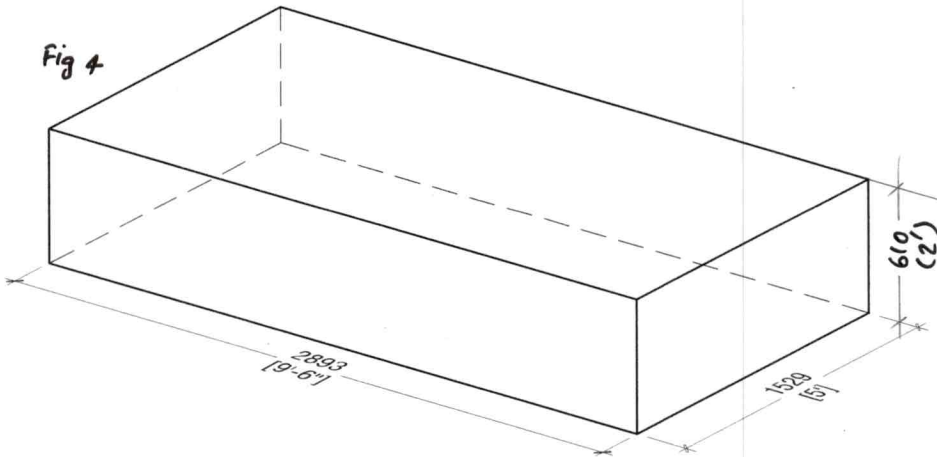


Fig 4



PROJECT:	WATER TANKS DRAWING FOR LOGISTICS UNIT
SHEET TITLE:	PERSPECTIVE DRAWINGS

CLIENT:	
SCALE:	N.T.S

AMENDMENTS:	
CHECKED BY:	

DESIGN BY:	
STRUC. DESIGN BY:	
SURVEYED BY:	
DRAWN BY:	SHAMBE

PROJECT NO:	WTD-1
DATE:	21.08.24
DEPARTMENT:	TLC - CONSTRUCTION UNIT
SHEET NO:	01

Do not scale the drawing. Figured dimensions are to be followed. All measurements must be verified on site. Any discrepancies to be reported to the architect, engineer and / or the interior designer. Contractor to provide shop drawings for approval.