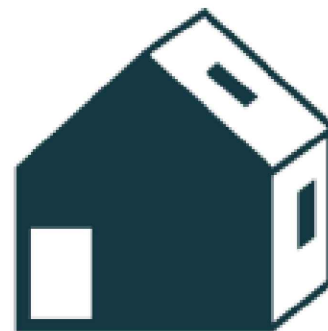




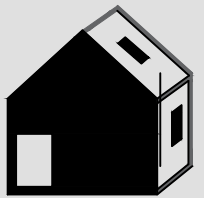
**PROPOSED PARK DESIGN
AT A.A.BODUFULHUDHOO
DETAIL DESIGN DRAWINGS**

DATE: 08-07-2024

CLIENT: BODUFULHUDHOO COUNCIL



artefact



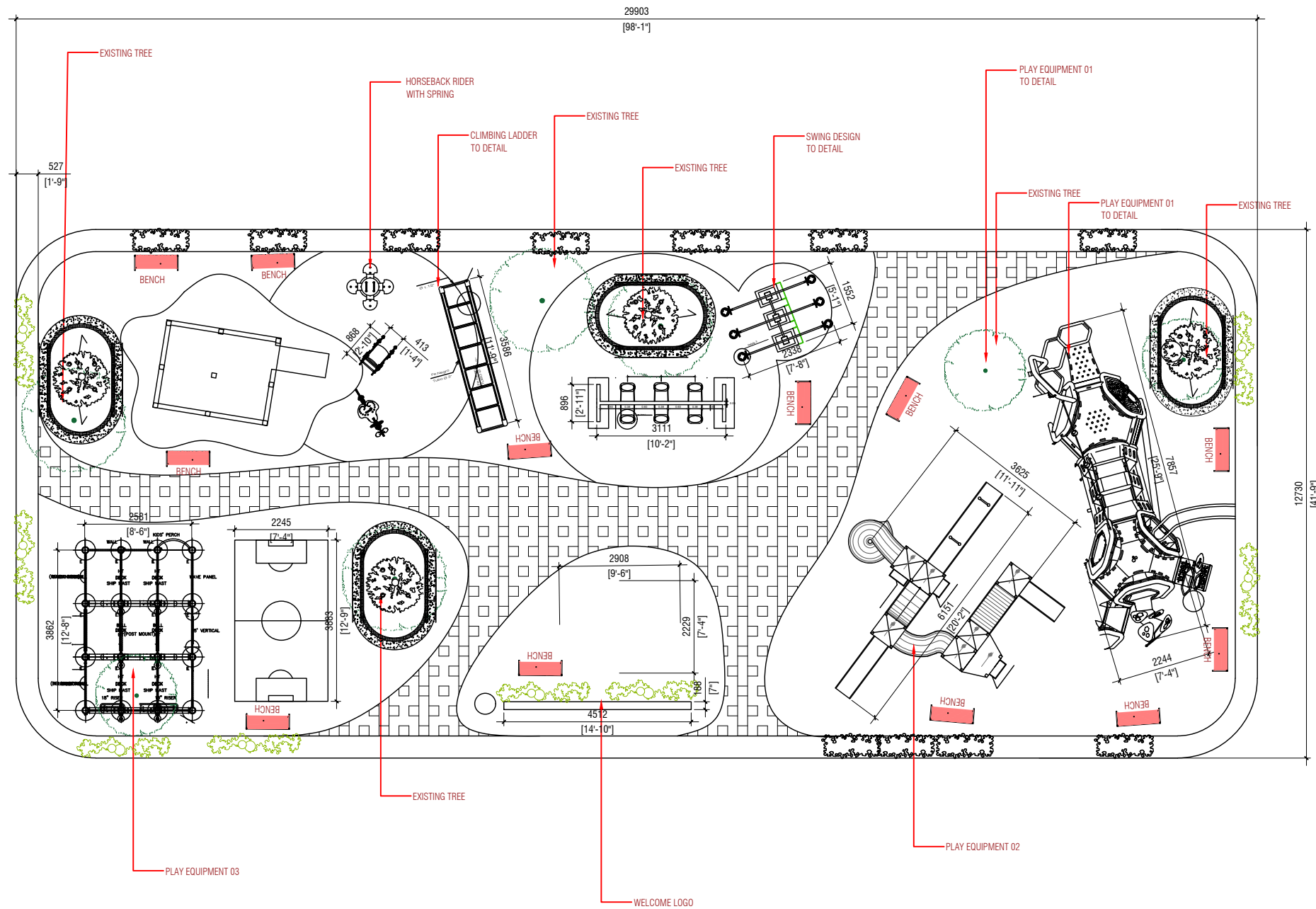
artefact

LEGEND

PD	PLUMBING DUCT
ED	ELECTRICAL DUCT
ND	NETWORKING DUCT
FD	FLOOR DRAIN
	BLOCK MASONRY WALL
	PRIVACY SCREEN WALL
	2000MM HIGH WALL
	1200MM HIGH WALL UNLESS SPECIFIED

FINISHING DETAILS:

- FFL OF BALCONES SHOULD BE 25MM LOWER THAN THE FFL OF RESPECTIVE FLOORS.
- WATER PROOFING TO BE APPLIED IN TOILETS, BALCONES & ROOF TERRACE PRIOR TO TILING
- EXTERNAL WALLS - WHITE STIPPLE EXTERIOR PAINT FINISH
- TOILET WALLS - 300MM X 300MM CERAMIC WALL TILES UP TO CEILING HEIGHT WITH TILE ADHESIVE. USE JOINT FILLER OF APPROPRIATE COLOR FOR GROUTING JOINTS BETWEEN TILES
- FLOORS - 600MM X 600MM HOMOGENOUS FLOOR TILES WITH TILE ADHESIVE
- TOILET FLOORS- 300MM X 300MM NON SKID CERAMIC FLOOR TILES WITH TILE ADHESIVE.



MASTER PLAN

PROJECT NAME:
BODUFULHUDHOO PARK

DRAWING TITLE:
PARK DESIGN

ARCHITECT:
Ahmed Ameer Shakeel

ENGINEER:
Ahmed Zuhal Zaeem

CLIENT DATE:
CLIENT NAME 08/07/2024

BODUFULHUDHOO COUNCIL

CONTACT NO-
E-MAIL :

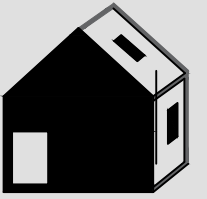
ARCHITECTURAL FIRM NAME:
ARTEFACT
ARCHITECTS, PLANNERS & ENGINEERS.

CONTACT NO- 7795009
E-MAIL : ameel.artefact@gmail.com

PROJECT NO: SCALE: SHEET SIZE:
- 1:100 A3

DRAWING NO: SHEET NO:
- 0 OF 0

A.01



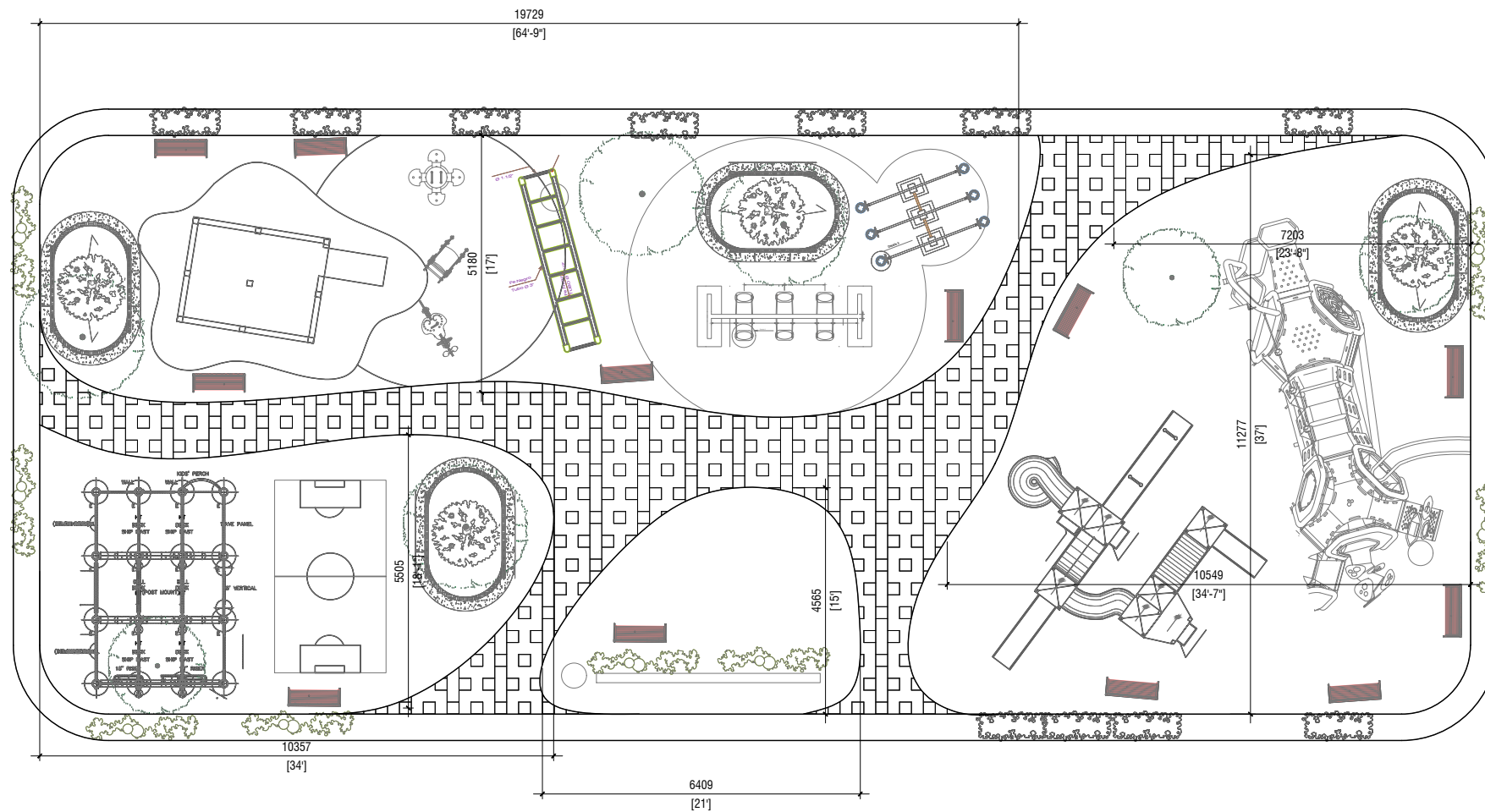
artefact

LEGEND

PD	PLUMBING DUCT
ED	ELECTRICAL DUCT
ND	NETWORKING DUCT
FD	FLOOR DRAIN
	BLOCK MASONRY WALL
	PRIVACY SCREEN WALL
	2000MM HIGH WALL
	1200MM HIGH WALL UNLESS SPECIFIED

FINISHING DETAILS:

- FFL OF BALCONIES SHOULD BE 25MM LOWER THAN THE FFL OF RESPECTIVE FLOORS.
- WATER PROOFING TO BE APPLIED IN TOILETS, BALCONIES & ROOF TERRACE PRIOR TO TILING
- EXTERNAL WALLS - WHITE STIPPLE EXTERIOR PAINT FINISH
- TOILET WALLS - 300MM X 300MM CERAMIC WALL TILES UP TO CEILING HEIGHT WITH TILE ADHESIVE. USE JOINT FILLER OF APPROPRIATE COLOR FOR GROUTING JOINTS BETWEEN TILES
- FLOORS - 600MM X 600MM HOMOGENOUS FLOOR TILES WITH TILE ADHESIVE
- TOILET FLOORS- 300MM X 300MM NON SKID CERAMIC FLOOR TILES WITH TILE ADHESIVE.



PARK WALKWAY PLAN

PROJECT NAME:
BODUFULHUDHOO PARK

DRAWING TITLE:
PARK DESIGN

ARCHITECT:
Ahmed Ameen Shakeel

ENGINEER:
Ahmed Zuhail Zaeem

CLIENT DATE:
CLIENT NAME 08/07/2024

BODUFULHUDHOO COUNCIL

CONTACT NO-
E-MAIL :

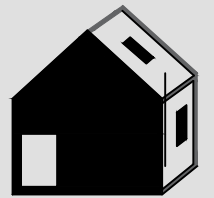
ARCHITECTURAL FIRM NAME:
ARTEFACT
ARCHITECTS, PLANNERS & ENGINEERS.

CONTACT NO- 7795009
E-MAIL : ameel.artefact@gmail.com

PROJECT NO: SCALE: SHEET SIZE:
- 1:100 A3

DRAWING NO: SHEET NO:
- 0 OF 0

A.02



artefact

LEGEND	
FD	PLUMBING DUCT
ED	ELECTRICAL DUCT
ND	NETWORKING DUCT
FD	FLOOR DRAIN
	BLOCK MASONRY WALL
	PRIVACY SCREEN WALL
	2000MM HIGH WALL
	1200MM HIGH WALL UNLESS SPECIFIED

FINISHING DETAILS:

- FFL OF BALCONIES SHOULD BE 25MM LOWER THAN THE FFL OF RESPECTIVE FLOORS.
- WATER PROOFING TO BE APPLIED IN TOILETS, BALCONIES & ROOF TERRACE PRIOR TO TILING
- EXTERNAL WALLS - WHITE STIPPLE EXTERIOR PAINT FINISH
- TOILET WALLS - 300MM X 300MM CERAMIC WALL TILES UP TO CEILING HEIGHT WITH TILE ADHESIVE. USE JOINT FILLER OF APPROPRIATE COLOR FOR GROUTING JOINTS BETWEEN TILES
- FLOORS - 600MM X 600MM HOMOGENOUS FLOOR TILES WITH TILE ADHESIVE
- TOILET FLOORS- 300MM X 300MM NON SKID CERAMIC FLOOR TILES WITH TILE ADHESIVE.

PROJECT NAME:
BODUFULHUDHOO PARK

DRAWING TITLE:
PARK DESIGN

ARCHITECT:
Ahmed Ameen Shakeel

ENGINEER:
Ahmed Zuhail Zaeem

CLIENT DATE:
CLIENT NAME 08/07/2024

BODUFULHUDHOO COUNCIL

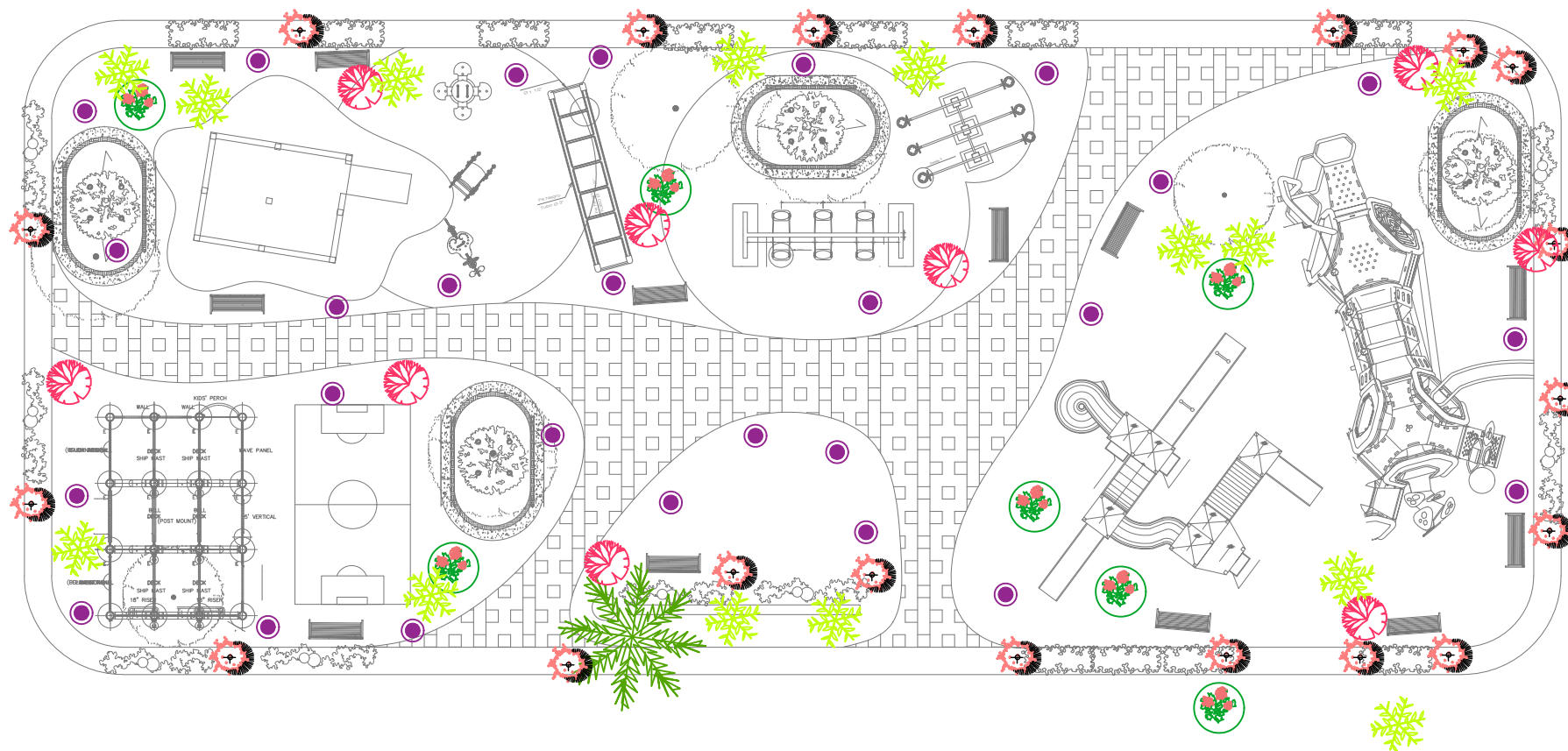
CONTACT NO-
E-MAIL :

ARCHITECTURAL FIRM NAME:
ARTEFACT
ARCHITECTS, PLANNERS & ENGINEERS.

CONTACT NO- 7795009
E-MAIL : ameel.artefact@gmail.com

PROJECT NO: SCALE: SHEET SIZE:
- 1:100 A3

DRAWING NO: SHEET NO:
- 0 OF 0

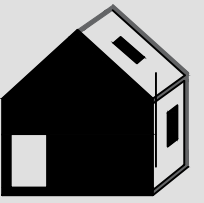


LEGEND	
	Local Shady Tree
	Rain Tree - Bodu Gas
	Gini Maa (Reethi gas/ Flame Tree)
	Fen Foah Ruh
	Gulchampaa Maa

LEGEND	
	Ficus
	Locally Available Shrubs
	Hibiscus
	Gandhakoalhi Maa
Note: All plants can be substituted with locally available similar plants	

LEGEND	
	Light Pole (Down light)
	Pathway Bollard Lighting
	Curb Type A
	Curb Type B

A.03



artefact

PROJECT NAME:
BODUFULHUDHOO PARK

DRAWING TITLE:
PARK DESIGN

ARCHITECT:
Ahmed Ameen Shakeel

ENGINEER:
Ahmed Zuhair Zaeem

CLIENT DATE:
08/07/2024

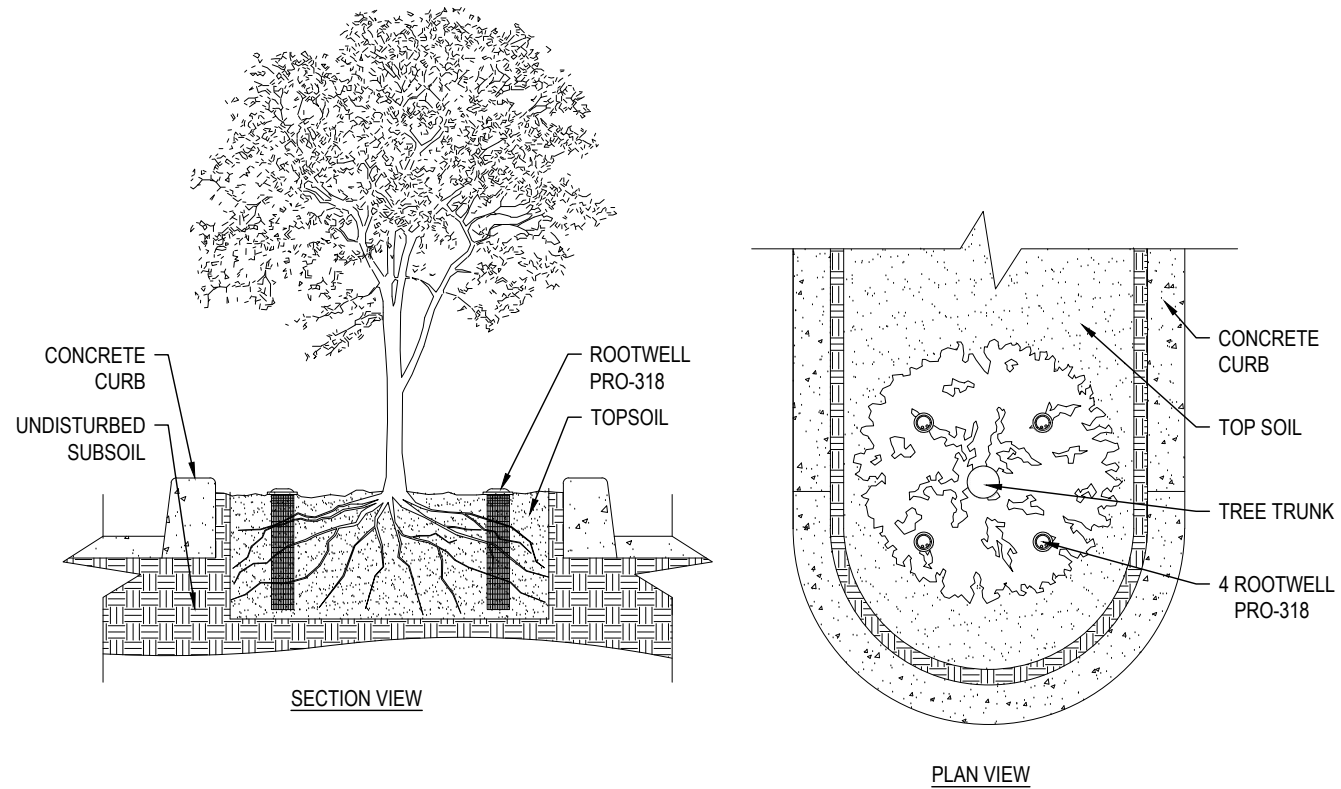
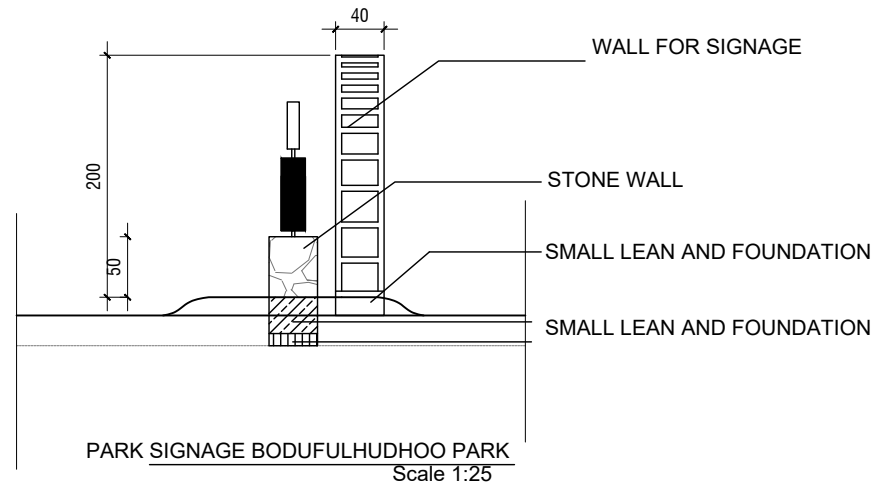
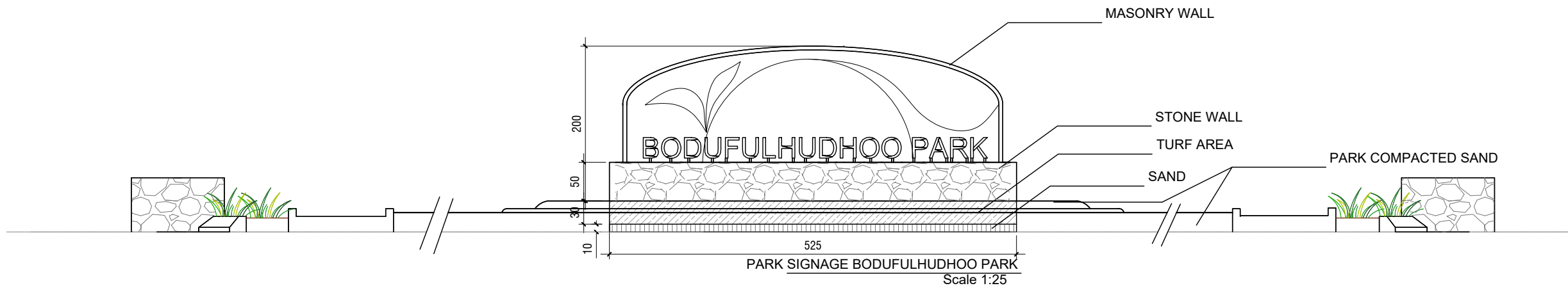
CLIENT NAME
BODUFULHUDHOO COUNCIL
CONTACT NO-
E-MAIL :

ARCHITECTURAL FIRM NAME:
ARTEFACT
ARCHITECTS, PLANNERS & ENGINEERS.

CONTACT NO- 7795009
E-MAIL : ameel.artefact@gmail.com

PROJECT NO: SCALE: SHEET SIZE:
- 1:100 A3

DRAWING NO: SHEET NO:
- 0 OF 0

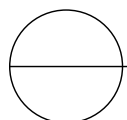


CALIPER	QUANTITY
2"	2-3
3"	3
4"	4
5"	5
6"	6

*GREATER THAN 6"
PLACE 3'-4' EVENLY
APART IN A
CIRCULAR MANNER.

MANUFACTURER NOTES:

- EXISTING TREES REQUIRE THE ROOTWELL TO BE PLACED APPROXIMATELY 2.5' TO 4' FROM THE TRUNK, OR ON LARGE TREES AS CLOSE AS POSSIBLE. TREE ROOTS ARE NOT AT THE DRIP LINE, BUT ARE MUCH CLOSER TO THE TRUNK WHEN TREES ARE IN STRESS, IN DECLINE, OR IN COMPACTED SOILS.
- USE THE QUANTITY GUIDE ABOVE AND EVENLY SPACE THE ROOTWELLS APART. ON LARGER TREES LOCATE THE ROOTWELLS IN A CIRCULAR MANNER AROUND THE TREE APPROXIMATELY 3'-4' APART. PLACE THE CAP'S TOP LIP/FLANGE SO IT IS FLUSH ON THE GROUND TO ALLOW FOR MOWING CLEARANCE.



EXISTING TREE / PARKING LOT ISLAND APPLICATION

EXISTING TREE: PARKING LOT ISLAND APPLICATION

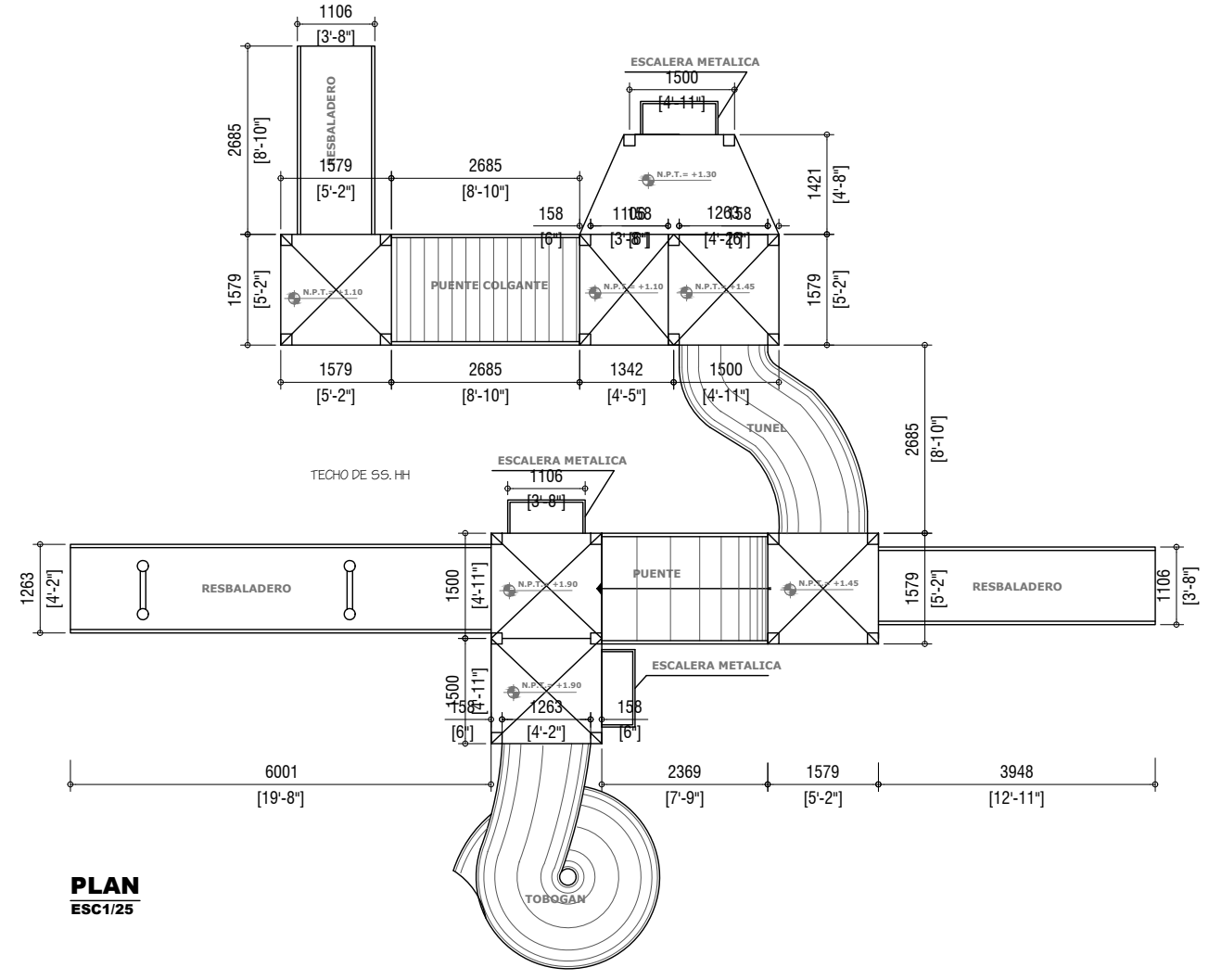
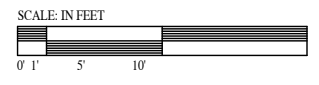
A.04

SUPER NETPLEX IS NOT IPEMA CERTIFIED

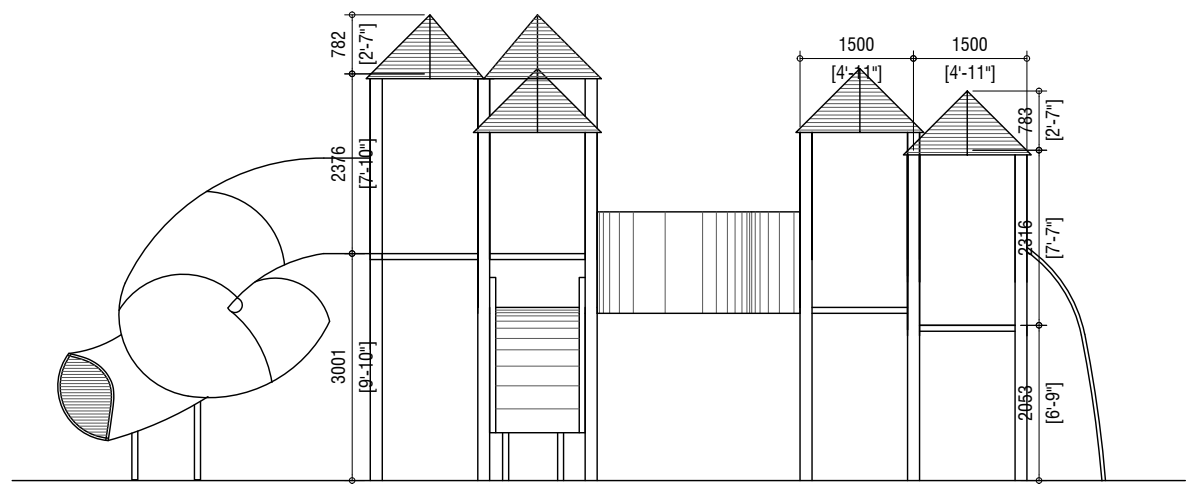


PlayBooster®
(5-12 years)

Max Fall Height: 144 inches
TOTAL SQUARE FOOTAGE
1050 SQ.FT.

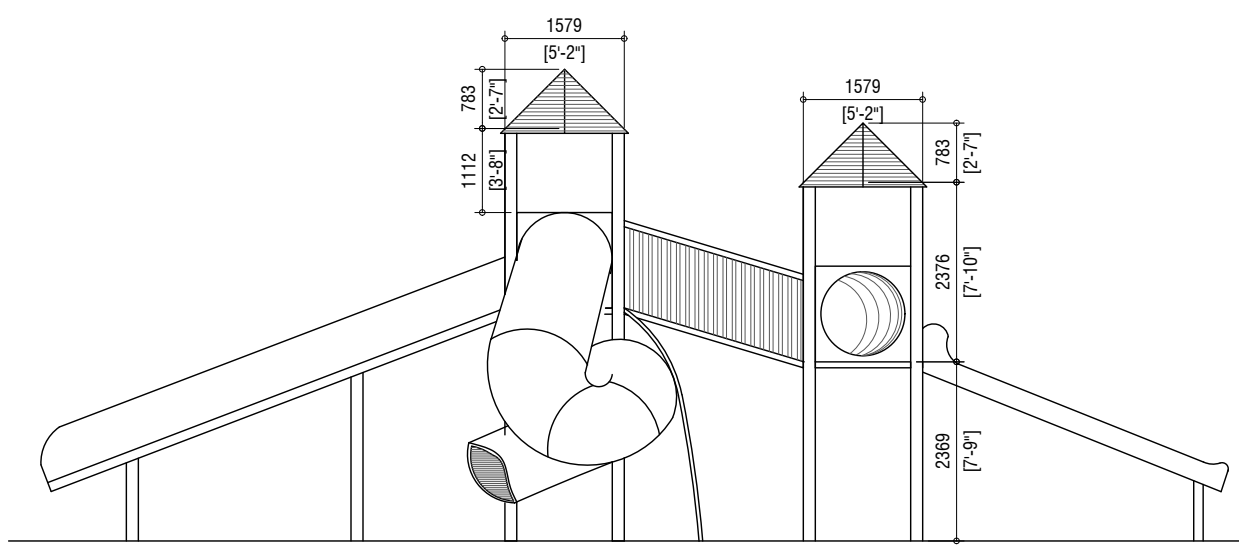


PLAN
ESC1/25



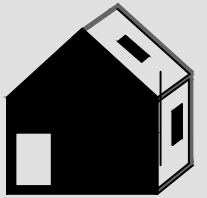
FRONT ELEVATION

ESC1/25



SIDE ELEVATION

ESC1/25



artefact

PROJECT NAME:
BODUFULHUDHOO PARK

DRAWING TITLE:
PARK DESIGN

ARCHITECT:
Ahmed Ameen Shakeel

ENGINEER:
Ahmed Zuhail Zaeem

CLIENT DATE:
BODUFULHUDHOO COUNCIL 08/07/2024

CONTACT NO-
E-MAIL :

ARCHITECTURAL FIRM NAME:
ARTEFACT
ARCHITECTS, PLANNERS & ENGINEERS.

CONTACT NO- 7795009
E-MAIL : ameel.artefact@gmail.com

PROJECT NO: - SCALE: 1:100 SHEET SIZE: A3

DRAWING NO: - SHEET NO: 0 OF 0

A.05



PROJECT NAME:
BODUFULHUDHOO PARK

DRAWING TITLE:
PARK DESIGN

ARCHITECT:
Ahmed Ameen Shakeel

ENGINEER:
Ahmed Zuhal Zaem

CLIENT DATE:
CLIENT NAME 08/07/2024

BODUFULHUDHOO COUNCIL

CONTACT NO-
E-MAIL :

ARCHITECTURAL FIRM NAME:
ARTEFACT
ARCHITECTS, PLANNERS & ENGINEERS.

CONTACT NO- 7795009
E-MAIL : ameel.artefact@gmail.com

PROJECT NO: SCALE: SHEET SIZE:
- 1:100 A3

DRAWING NO: SHEET NO:
- 0 OF 0

A.06

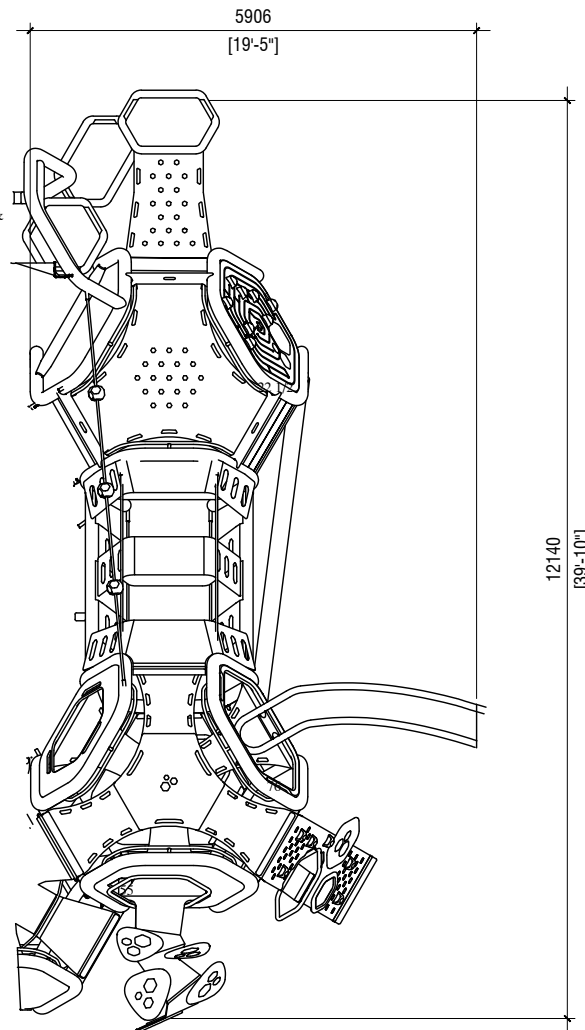
THIS PLAY AREA & PLAY EQUIPMENT IS DESIGNED FOR AGES YEARS YR/MO UNLESS OTHERWISE NOTED ON PLAN.

IT IS THE MANUFACTURERS OPINION THAT THIS PLAY AREA DOES CONFORM TO THE A.D.A. ACCESSIBILITY STANDARDS, ASSUMING AN ACCESSIBLE PROTECTIVE SURFACING IS PROVIDED, AS INDICATED, OR WITHIN THE ENTIRE USE ZONE.

THIS CONCEPTUAL PLAN WAS BASED ON INFORMATION AVAILABLE TO US. PRIOR TO CONSTRUCTION, DETAILED SITE INFORMATION INCLUDING SITE DIMENSIONS, TOPOGRAPHY EXISTING UTILITIES, SOIL CONDITIONS, AND DRAINAGE SOLUTIONS SHOULD BE OBTAINED, EVALUATED, & UTILIZED IN THE FINAL DESIGN. PLEASE VERIFY ALL DIMENSIONS OF PLAY AREA, SIZE, ORIENTATION, AND LOCATION OF ALL EXISTING UTILITIES, EQUIPMENT, AND SITE FURNISHINGS PRIOR TO ORDERING. SLIDES SHOULD NOT FACE THE HOT AFTERNOON SUN.

CHOOSE A PROTECTIVE SURFACING MATERIAL THAT HAS A CRITICAL HEIGHT VALUE TO MEET THE MAXIMUM FALL HEIGHT FOR THE EQUIPMENT (REF. ASTM F1487 STANDARD CONSUMER SAFETY PERFORMANCE SPECIFICATION FOR PLAYGROUND EQUIPMENT FOR PUBLIC USE, SECTION 8 CURRENT REVISION). THE SUBSURFACE MUST BE WELL DRAINED. IF THE SOIL DOES NOT DRAIN NATURALLY IT MUST BE TILED OR SLOPED 1/8" TO 1/4" PER FOOT TO A STORM SEWER OR A 'FRENCH DRAIN'.

265928
HEDRA
W/SLIDEWINDER
LEFT,
POLYCARBONATE &
BAMBOO PANELS

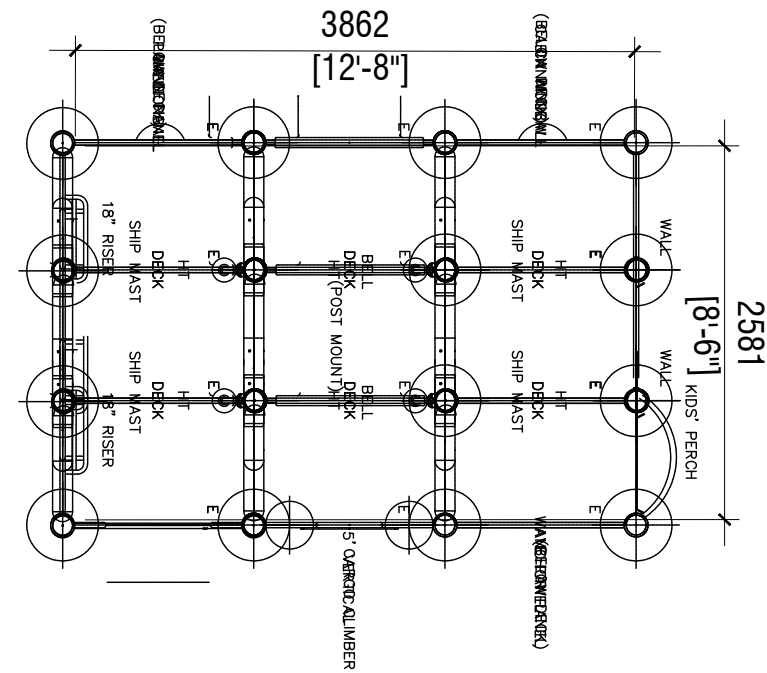
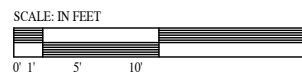


Freestanding Play
(5-12 years)

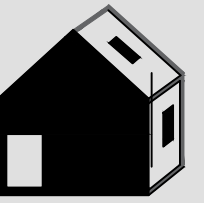
TOTAL SQUARE FOOTAGE
1382 SQ FT

Max Fall Height: 88 inches

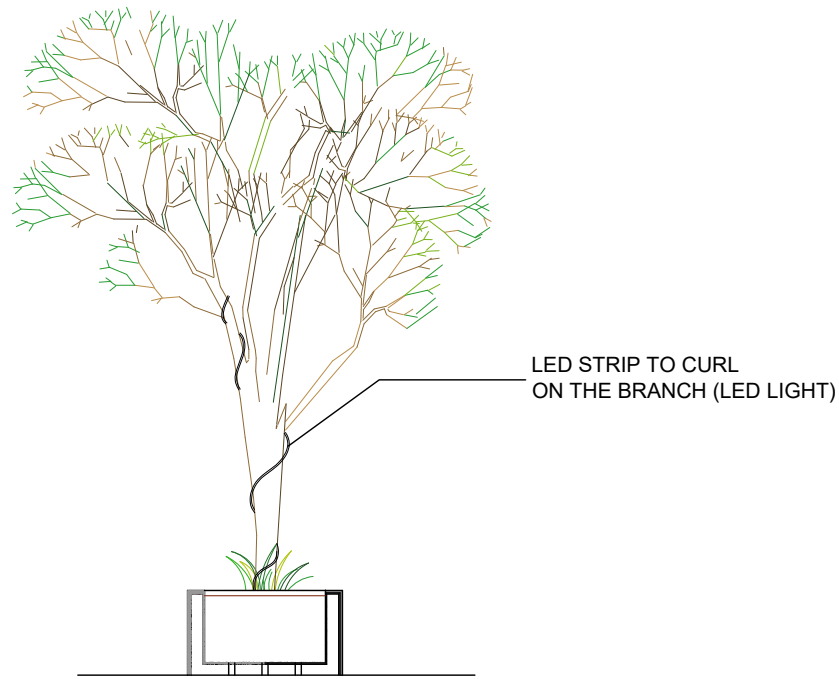
TOTAL ELEVATED PLAY COMPONENTS	TELEV	TACREQUIRED	TACRR
TOTAL ELEVATED COMPONENTS ACCESSIBLE BY RAMP	TACREQUIRED	TACTREQUIRED	TACTR
TOTAL ELEVATED COMPONENTS ACCESSIBLE BY TRANSFER	TACTREQUIRED	TGL REQUIRED	TGLR
TOTAL ACCESSIBLE GROUND LEVEL COMPONENTS SHOWN	TGL REQUIRED	TDIREQUIRED	DTGLR
TOTAL DIFFERENT TYPES OF GROUND LEVEL COMPONENTS	TDIREQUIRED		



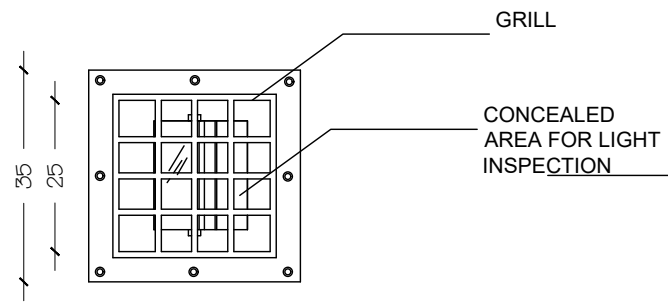
SQUARE TRANSFER
POINT, 5' DECK



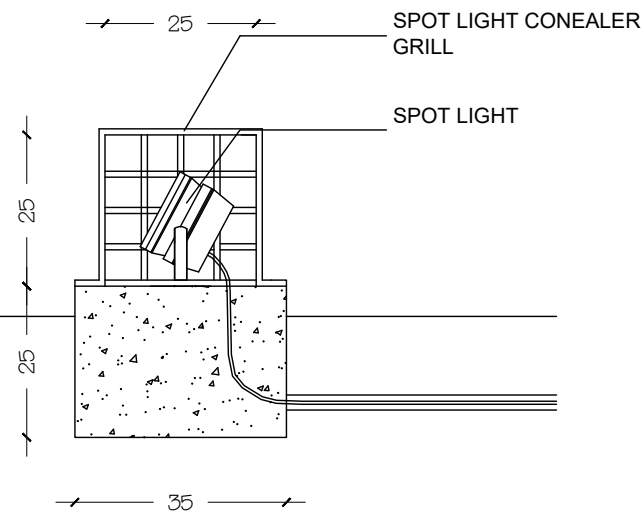
artefact



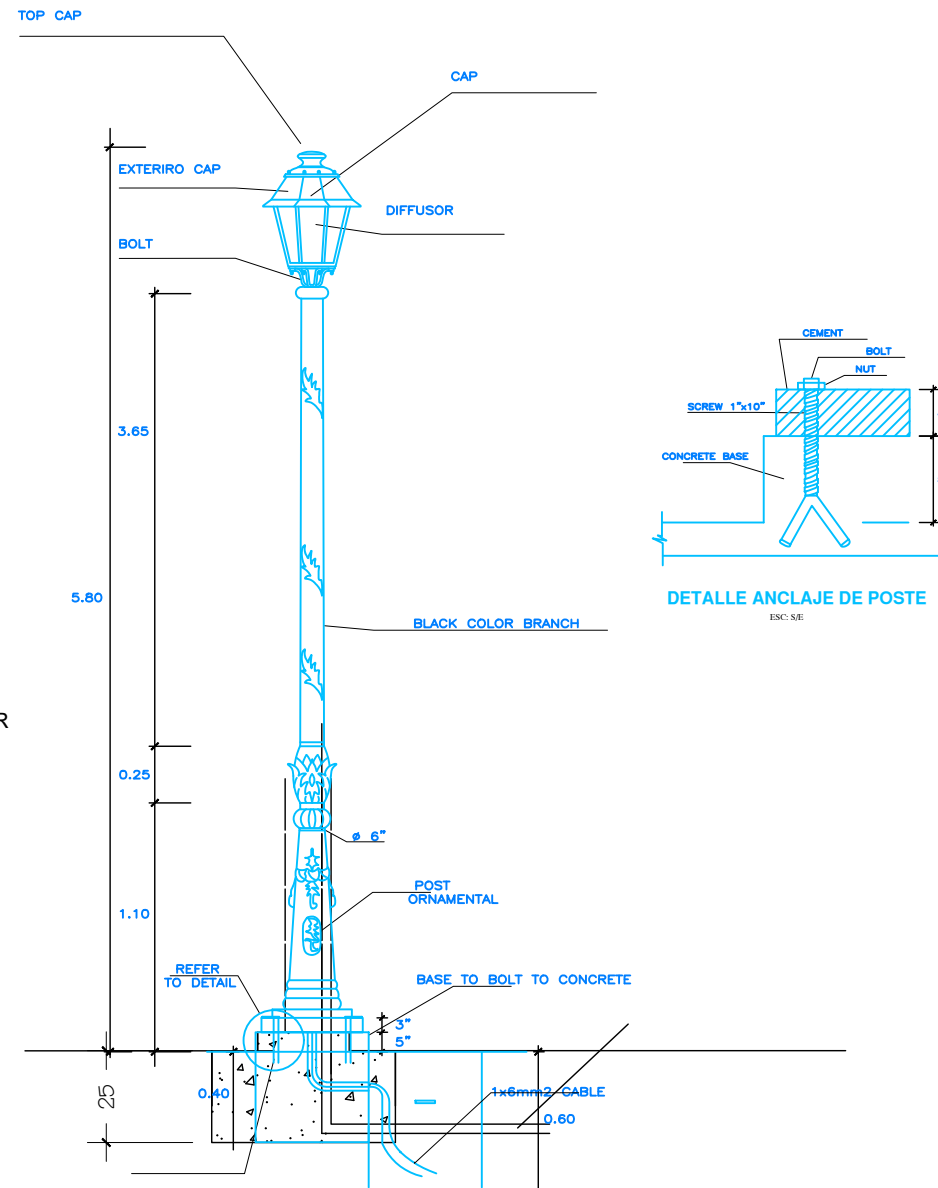
DETAIL PLANT POT
SKALA 1:25



LIGHT ON GROUND FOR TREE
SKALA 1:5



SIDE VIEW OF TYPE A LAMPS (SPOTLIGHT)
SKALA 1:5



DETAIL LIGHT POST
SKALA 1:20

PROJECT NAME:
BODUFULHUDHOO PARK

DRAWING TITLE:
PARK DESIGN

ARCHITECT:
Ahmed Ameen Shakeel

ENGINEER:
Ahmed Zuhair Zaeem

CLIENT DATE:
08/07/2024

CLIENT NAME

BODUFULHUDHOO COUNCIL

CONTACT NO-
E-MAIL :

ARCHITECTURAL FIRM NAME:

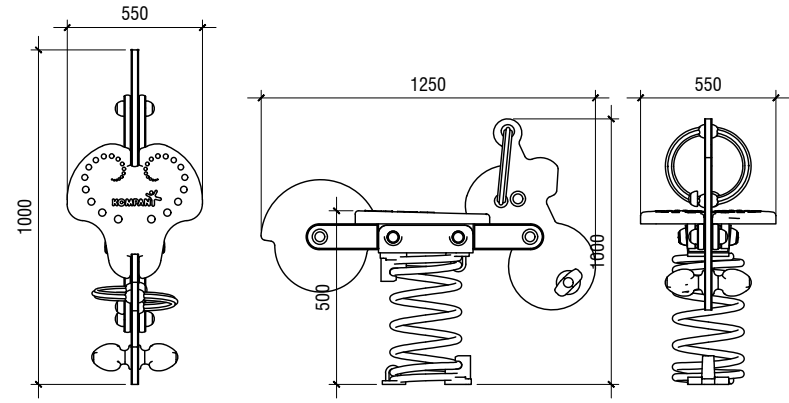
ARTEFACT
ARCHITECTS, PLANNERS & ENGINEERS.

CONTACT NO- 7795009
E-MAIL : ameel.artefact@gmail.com

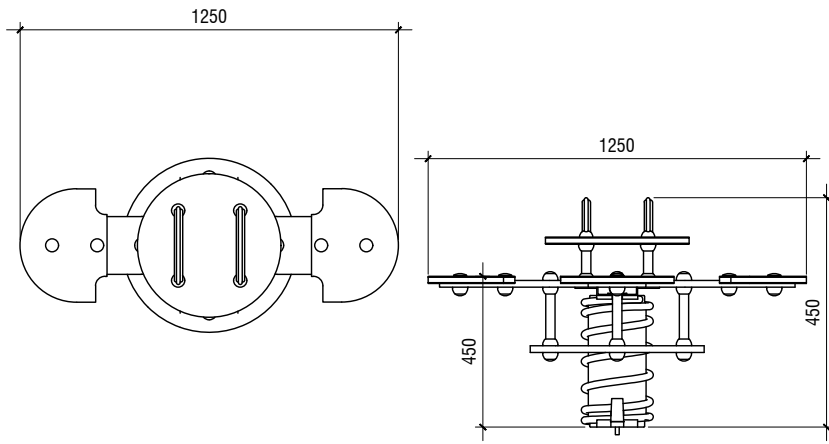
PROJECT NO: - SCALE: 1:100 SHEET SIZE: A3

DRAWING NO: - SHEET NO: 0 OF 0

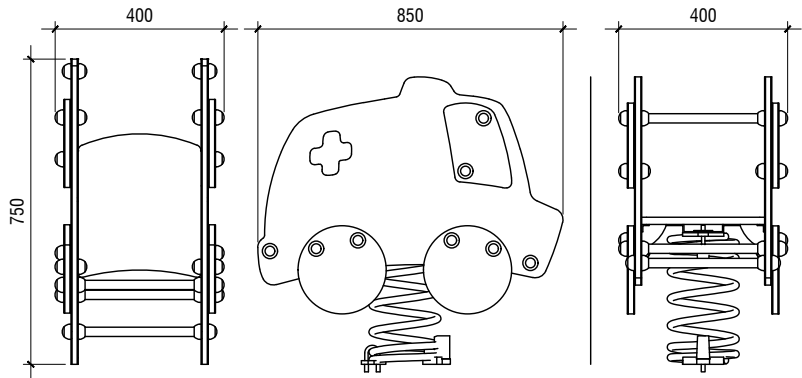
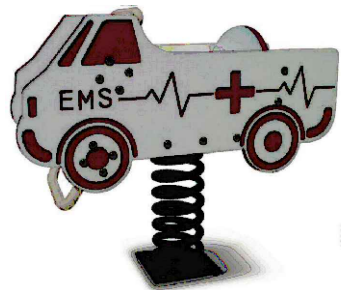
A.07



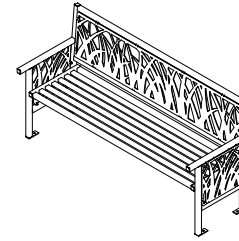
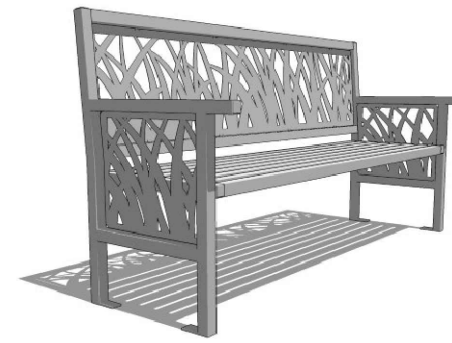
CYCLE RIDER
SCALE 1:10



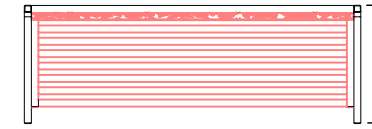
SEE SAW RIDER
SCALE 1:10



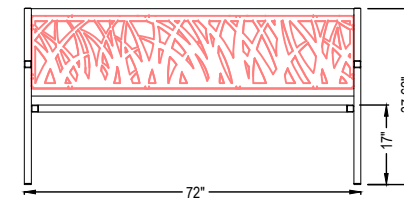
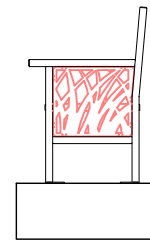
AMBULANCE RIDER
SCALE 1:10



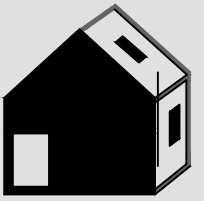
PERSPECTIVE



TOP VIEW



BENCH
SCALE 1:50



artefact

PROJECT NAME:
BODUFULHUDHOO PARK

DRAWING TITLE:
PARK DESIGN

ARCHITECT:
Ahmed Ameen Shakeel

ENGINEER:
Ahmed Zuhail Zaeem

CLIENT DATE:
BODUFULHUDHOO COUNCIL 08/07/2024

CONTACT NO-
E-MAIL :

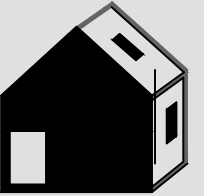
ARCHITECTURAL FIRM NAME:
ARTEFACT
ARCHITECTS, PLANNERS & ENGINEERS.

CONTACT NO- 7795009
E-MAIL : ameel.artefact@gmail.com

PROJECT NO: - SCALE: 1:100 SHEET SIZE: A3

DRAWING NO: - SHEET NO: 0 OF 0

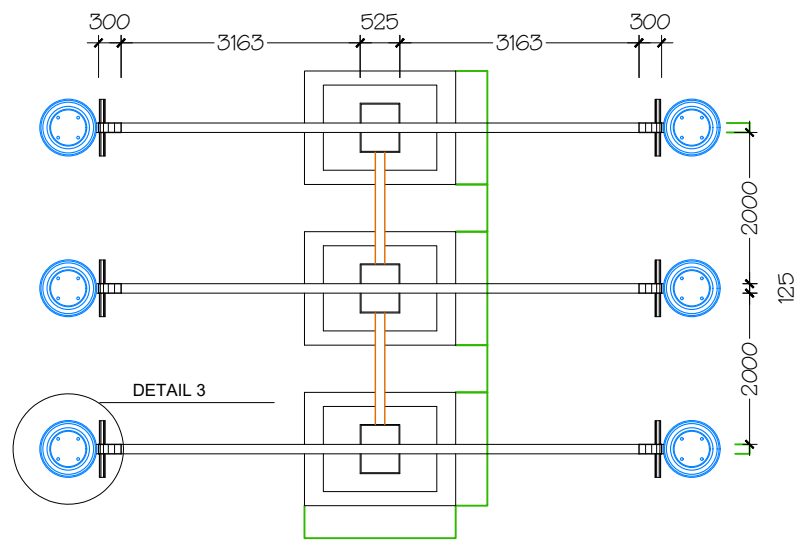
A.08



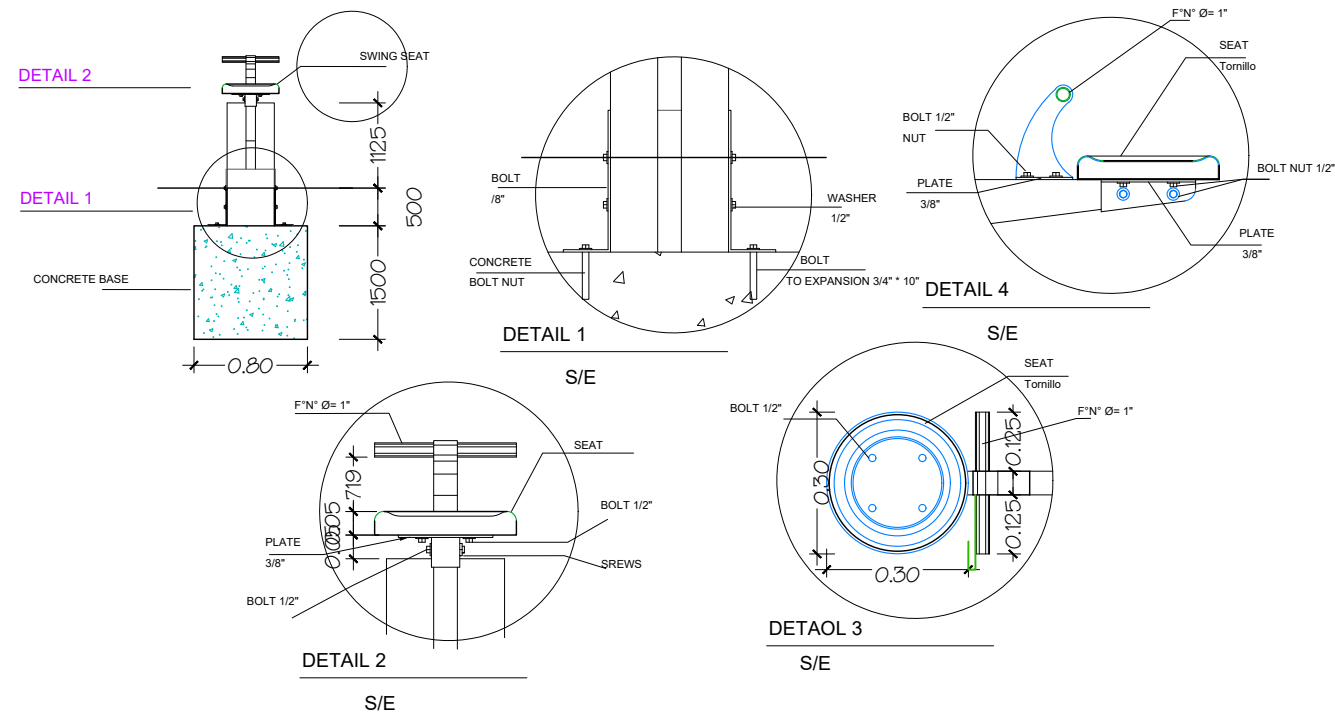
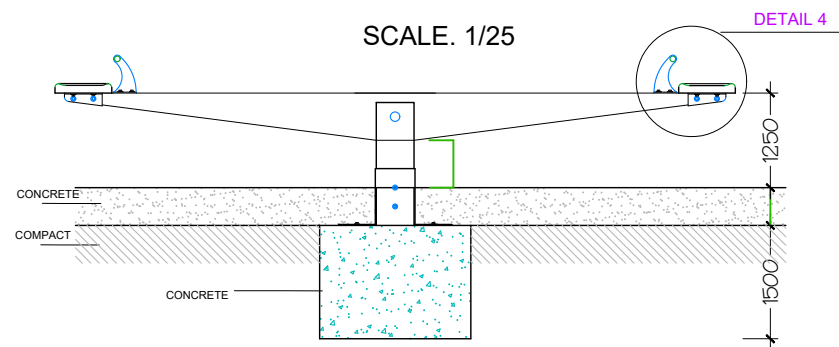
artefact



SWING DESIGN - SEE SAW TYPE



SWING DESIGN - SEE SAW TYPE



PROJECT NAME:
BODUFULHUDHOO PARK

DRAWING TITLE:
PARK DESIGN

ARCHITECT:
Ahmed Ameen Shakeel

ENGINEER:
Ahmed Zuhair Zaeem

CLIENT: BODUFULHUDHOO COUNCIL
DATE: 08/07/2024

CONTACT NO-
E-MAIL :

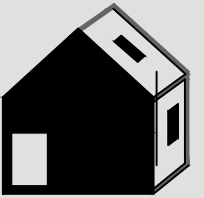
ARCHITECTURAL FIRM NAME:
ARTEFACT
ARCHITECTS, PLANNERS & ENGINEERS.

CONTACT NO- 7795009
E-MAIL : ameel.artefact@gmail.com

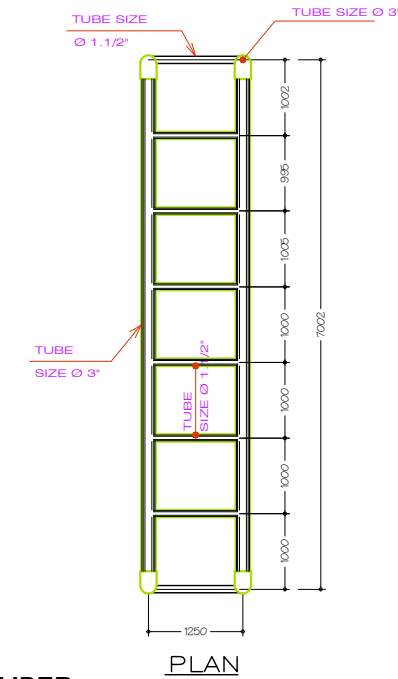
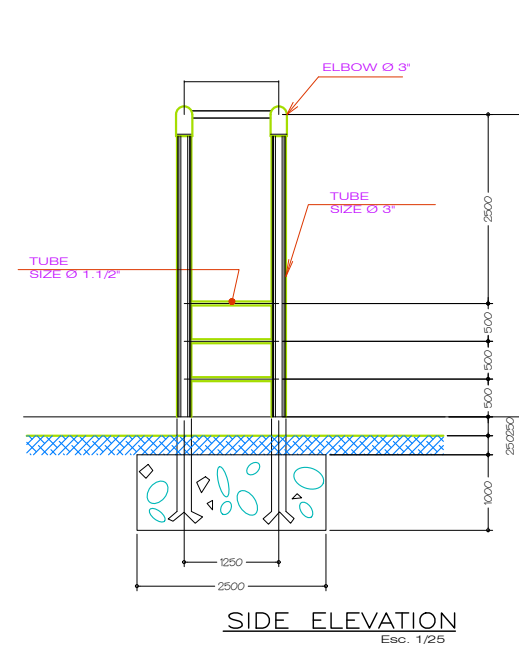
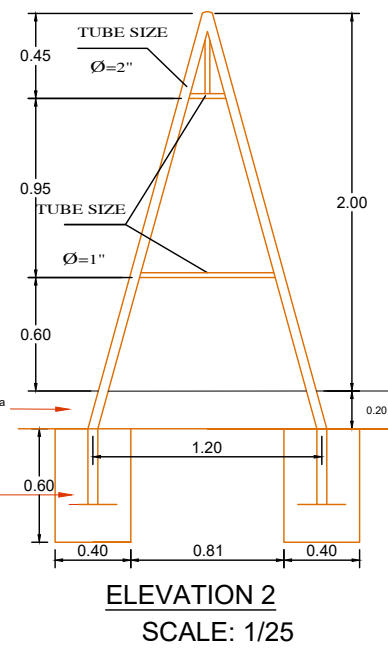
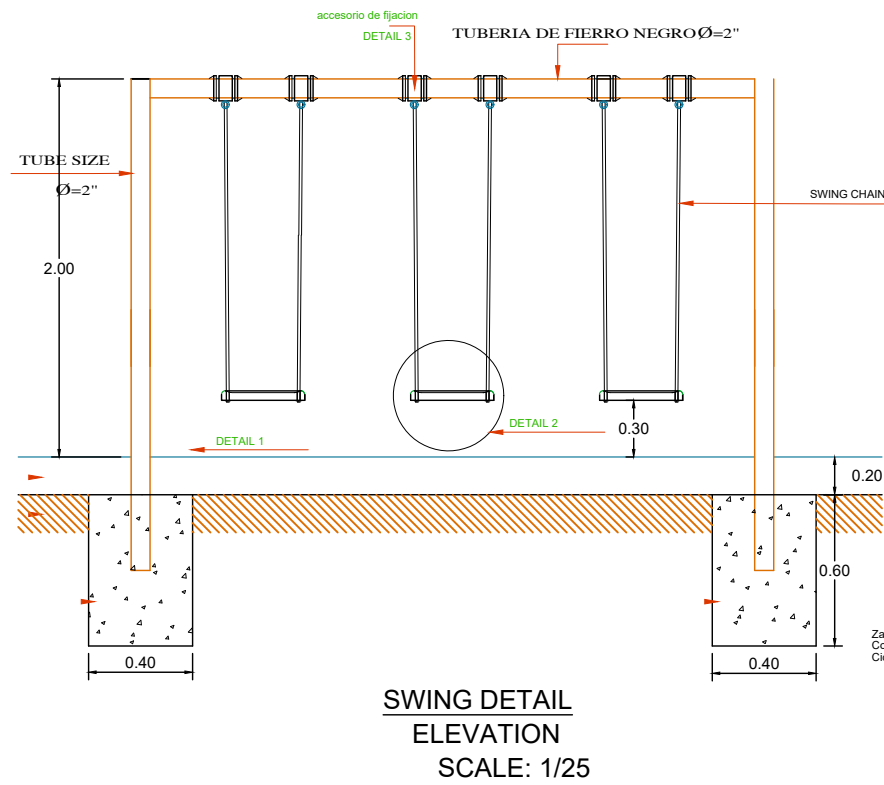
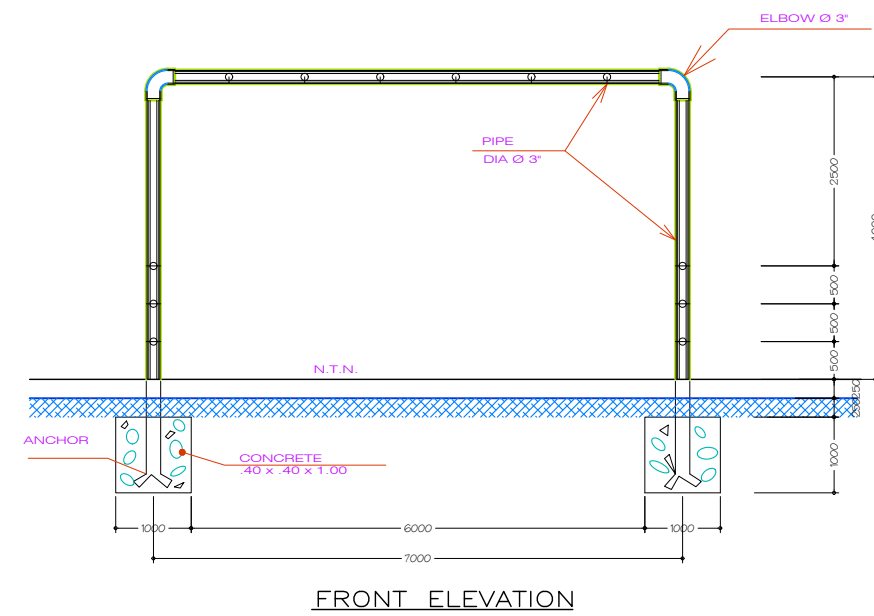
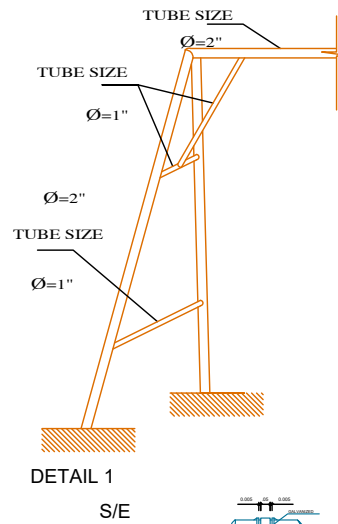
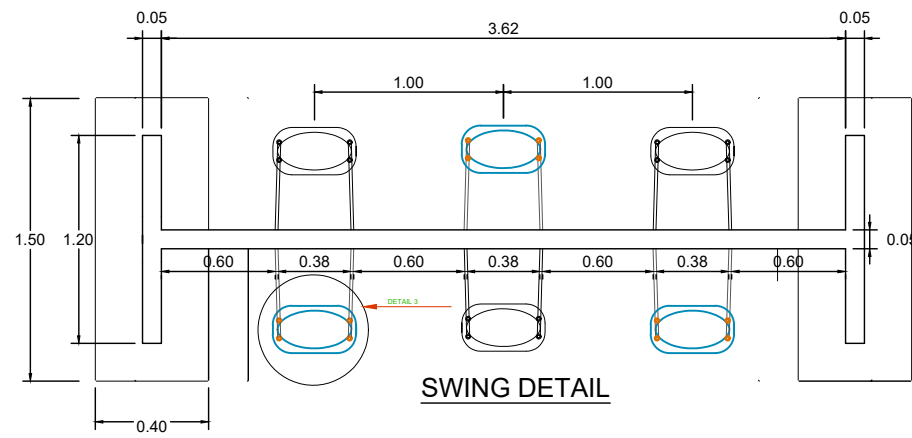
PROJECT NO: - SCALE: 1:100 SHEET SIZE: A3

DRAWING NO: - SHEET NO: 0 OF 0

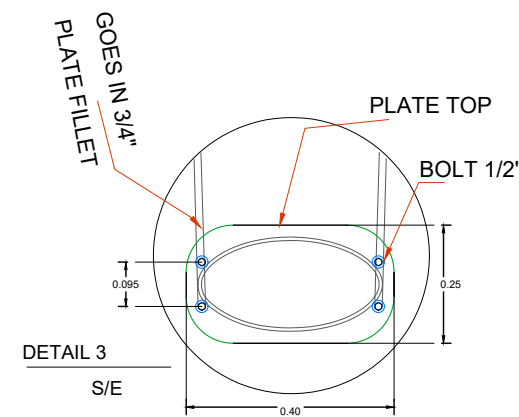
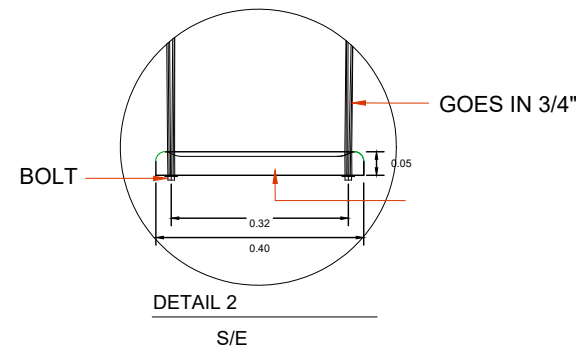
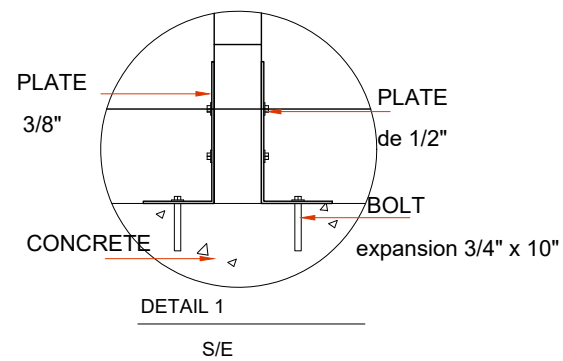
A.09



artefact



DETAIL OF CLIMBER
SCALE: 1/25



PROJECT NAME:
BODUFULHUDHOO PARK

DRAWING TITLE:
PARK DESIGN

ARCHITECT:
Ahmed Ameer Shakeel

ENGINEER:
Ahmed Zuhail Zaeem

CLIENT DATE:
CLIENT NAME 08/07/2024

BODUFULHUDHOO COUNCIL

CONTACT NO-
E-MAIL :

ARCHITECTURAL FIRM NAME:

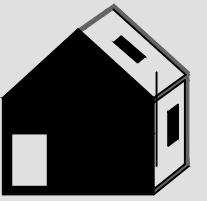
ARTEFACT
ARCHITECTS, PLANNERS & ENGINEERS.

CONTACT NO- 7795009
E-MAIL : ameel.artefact@gmail.com

PROJECT NO: SCALE: SHEET SIZE:
- 1:100 A3

DRAWING NO: SHEET NO:
- 0 OF 0

A.10



artefact

PROJECT NAME:
BODUFULHUDHOO PARK

DRAWING TITLE:
PARK DESIGN

ARCHITECT:
Ahmed Ameen Shakeel

ENGINEER:
Ahmed Zuhail Zaeem

CLIENT NAME: 08/07/2024

BODUFULHUDHOO COUNCIL

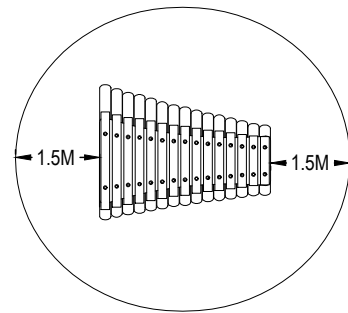
CONTACT NO-
E-MAIL :

ARCHITECTURAL FIRM NAME:
ARTEFACT
ARCHITECTS, PLANNERS & ENGINEERS.

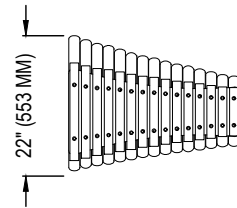
CONTACT NO- 7795009
E-MAIL : ameel.artefact@gmail.com

PROJECT NO: - SCALE: 1:100 SHEET SIZE: A3

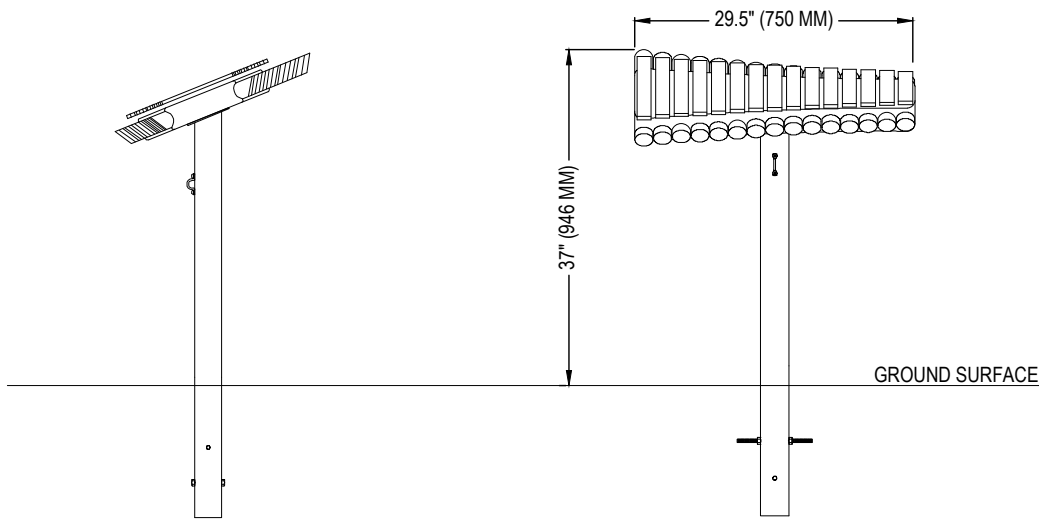
DRAWING NO: - SHEET NO: 0 OF 0



PLAN VIEW - FREE SPACE

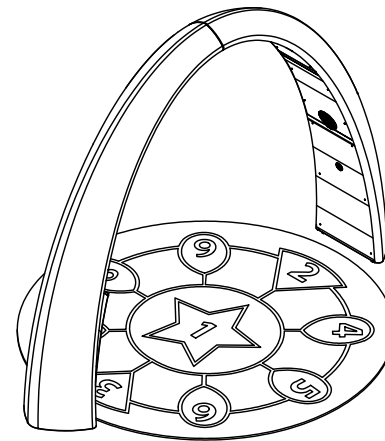


PLAN VIEW
INSTALL INSTRUMENT WITH 1.5M FREE SPACE
(FROM WIDEST POINT) AROUND IT.

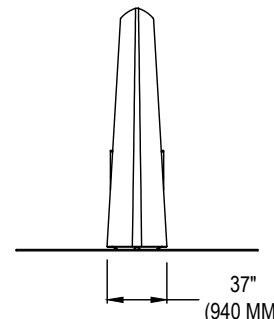


SIDE ELEVATION

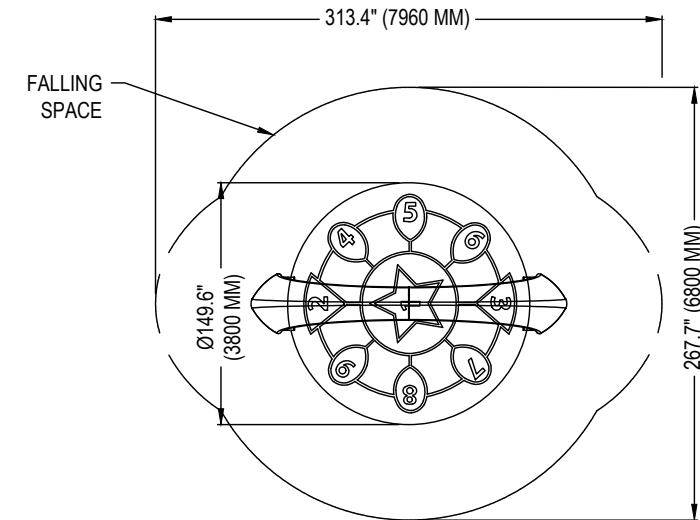
FRONT ELEVATION



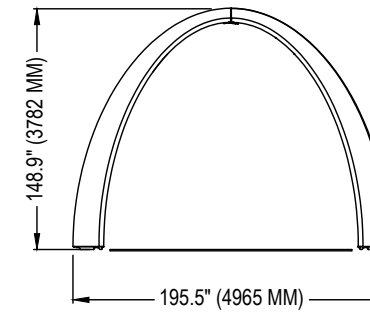
PERSPECTIVE



SIDE ELEVATION



PLAN

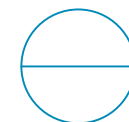


FRONT ELEVATION

SPECIFICATIONS

CONSTRUCTION: GLASS FIBER REINFORCED POLYESTER WITH ADDITIONAL REINFORCEMENTS AGAINST E.G. HAMMER BLOWS.
VISIBLE STEEL PARTS MADE OF SS304 AND PROTECTED WITH A POWDER-COAT.

- NOTES:**
1. INSTALLATION TO BE COMPLETED IN ACCORDANCE WITH MANUFACTURER'S SPECIFICATIONS.
 2. DO NOT SCALE DRAWING.
 3. THIS DRAWING IS INTENDED FOR USE BY ARCHITECTS, ENGINEERS, CONTRACTORS, CONSULTANTS AND DESIGN PROFESSIONALS FOR PLANNING PURPOSES ONLY. THIS DRAWING MAY NOT BE USED FOR CONSTRUCTION.
 4. ALL INFORMATION CONTAINED HEREIN WAS CURRENT AT THE TIME OF DEVELOPMENT BUT MUST BE REVIEWED AND APPROVED BY THE PRODUCT MANUFACTURER TO BE CONSIDERED ACCURATE.
 5. CONTRACTOR'S NOTE: FOR PRODUCT AND COMPANY INFORMATION VISIT www.CADdetails.com/info AND ENTER REFERENCE NUMBER 5052-031.

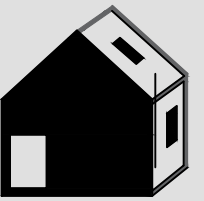


PLAY EXPERIENCES

LAPPSET SONA INTERACTIVE DANCE AND PLAY ARCH

PERCUSSION PLAY
CAVATINA

A.11



artefact

PROJECT NAME:
BODUFULHUDHOO PARK

DRAWING TITLE:
PARK DESIGN

ARCHITECT:
Ahmed Ameen Shakeel

ENGINEER:
Ahmed Zuhail Zaeem

CLIENT DATE:
BODUFULHUDHOO COUNCIL 08/07/2024

BODUFULHUDHOO COUNCIL

CONTACT NO-
E-MAIL :

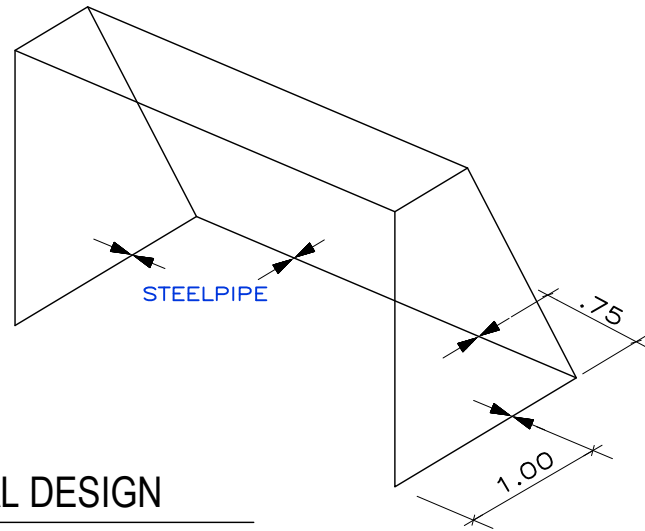
ARCHITECTURAL FIRM NAME:

ARTEFACT
ARCHITECTS, PLANNERS & ENGINEERS.

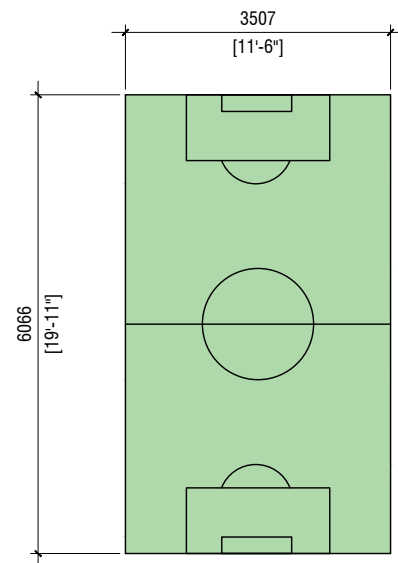
CONTACT NO- 7795009
E-MAIL : ameel.artefact@gmail.com

PROJECT NO: SCALE: SHEET SIZE:
- 1:100 A3

DRAWING NO: SHEET NO:
- 0 OF 0



GOAL DESIGN
CAVATINA



PITCH SIZE
CAVATINA

