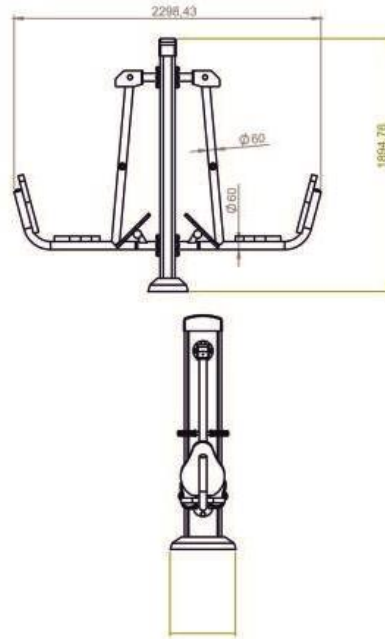
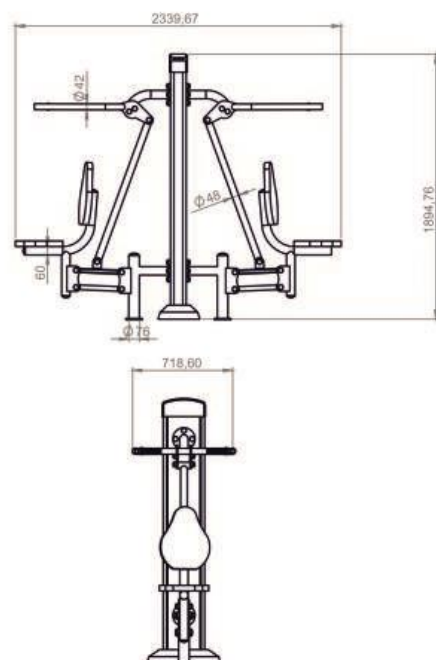


A. Proposed Equipment with Technical Drawings

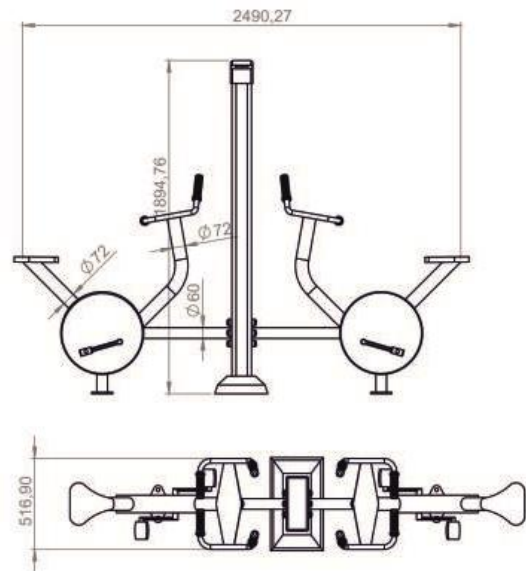
1. PD 1650 – Double Leg Press Trainer



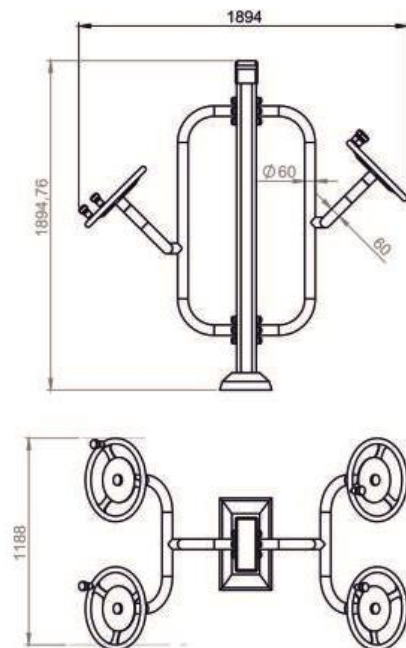
2. PD 1652 – Double Seated Pull-Down Trainer



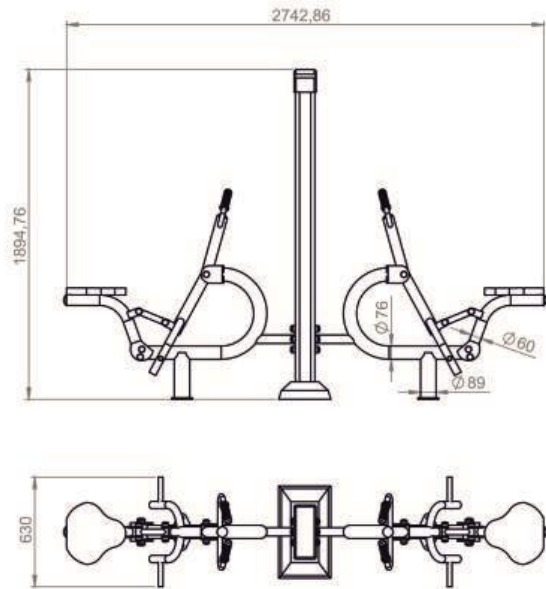
3. PD 1654 – Double Bike



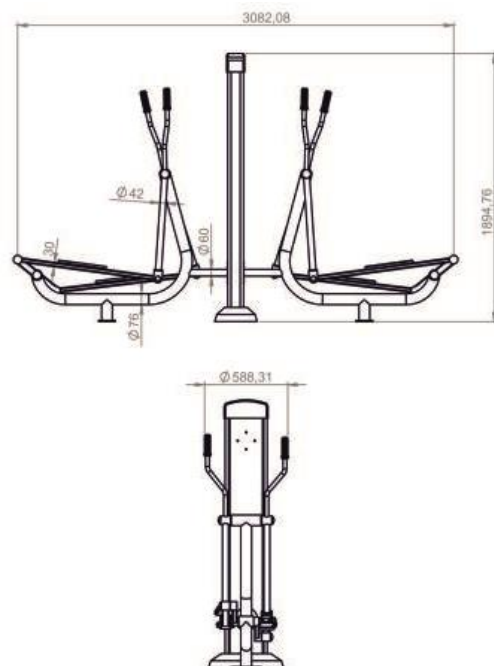
4. PD 1656 – Double Tai-Chi Spinner



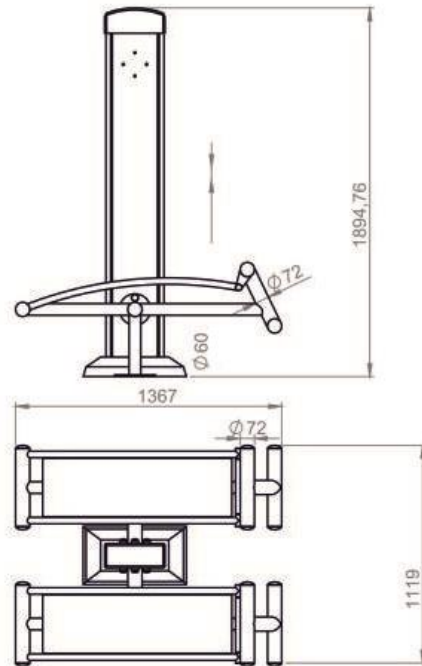
5. PD 1658 – Double Riding Trainer



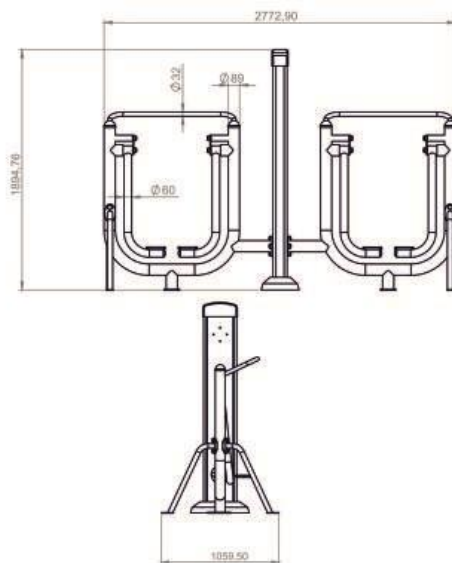
6. PD 1666 – Double Elliptical Trainer



7. PD 1670 – Double Sit-up Bench



8. PD 1672 – Double Air-Walker



B. Product Details

- Made to European standards. (TUV, SGS, CE)
- UV & Anti-corrosion galvanizing (paint made in Belgium) - To resist corrosion in and around salty beaches.
- Steel bearings of premium quality made in Japan - To withstand public use.
- Extra grease - For better resistant, life expansion and safety.
- All pipes are with 3-4 mm thickness to provide optimum strength.
- Centre panels are made of Aluminium (will provide same quality as stainless steel at a significantly low cost).

C. Product Warranty Details

The Warranty Terms of all products are Three (3) years under normal usage (subject to terms and conditions). Additional spares of some parts are included with every shipment without any additional cost.

D. Custom Branding

We are proud to offer the option for custom branding at no additional cost.



E. Installation

In our previous completed projects in the Maldives, we have worked closely with Maldives Sports Corporation that overlooked the installation of equipment we supplied. We also encourage and facilitate first hand training in our factory in Mersin, Turkey. Please refer installation drawings below.

I. Additions for installation

All nuts, bolts and anchorage required for installation are supplied with everyshipment. Also included are extra spare parts ex; foot pedals etc. at no additional cost.

II. Installation Drawings

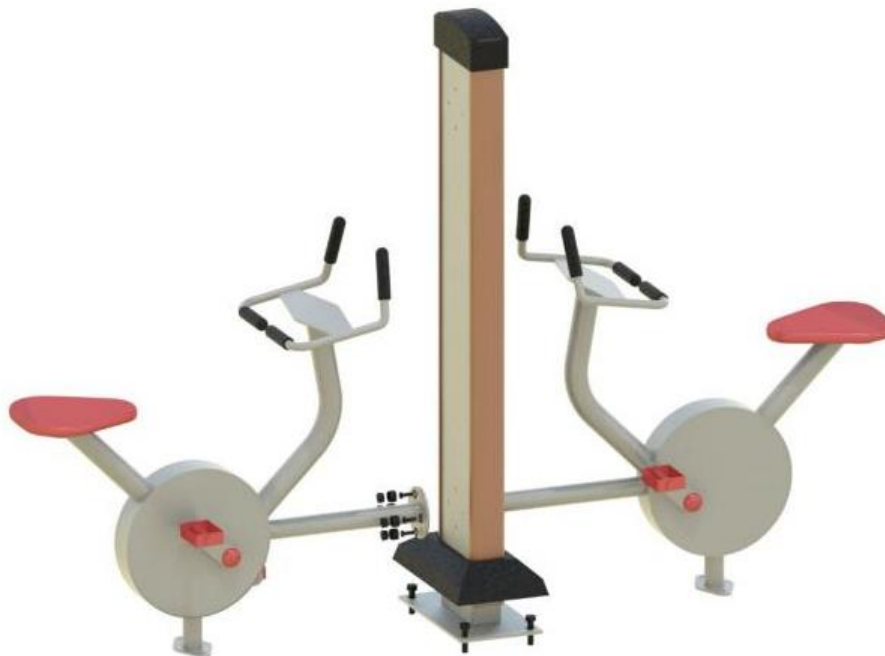
1. PD 1650 – Double Leg Press Trainer



2. PD 1652 – Double Seated Pull-Down Trainer



3. PD 1654 – Double Bike



4. PD 1656 – Double Tai-Chi Spinner



5. PD 1658 – Double Riding Trainer



6. PD 1666 – Double Elliptical Trainer



7. PD 1670 – Double Sit-up Bench



8. PD 1672 – Double Air-Walker

