



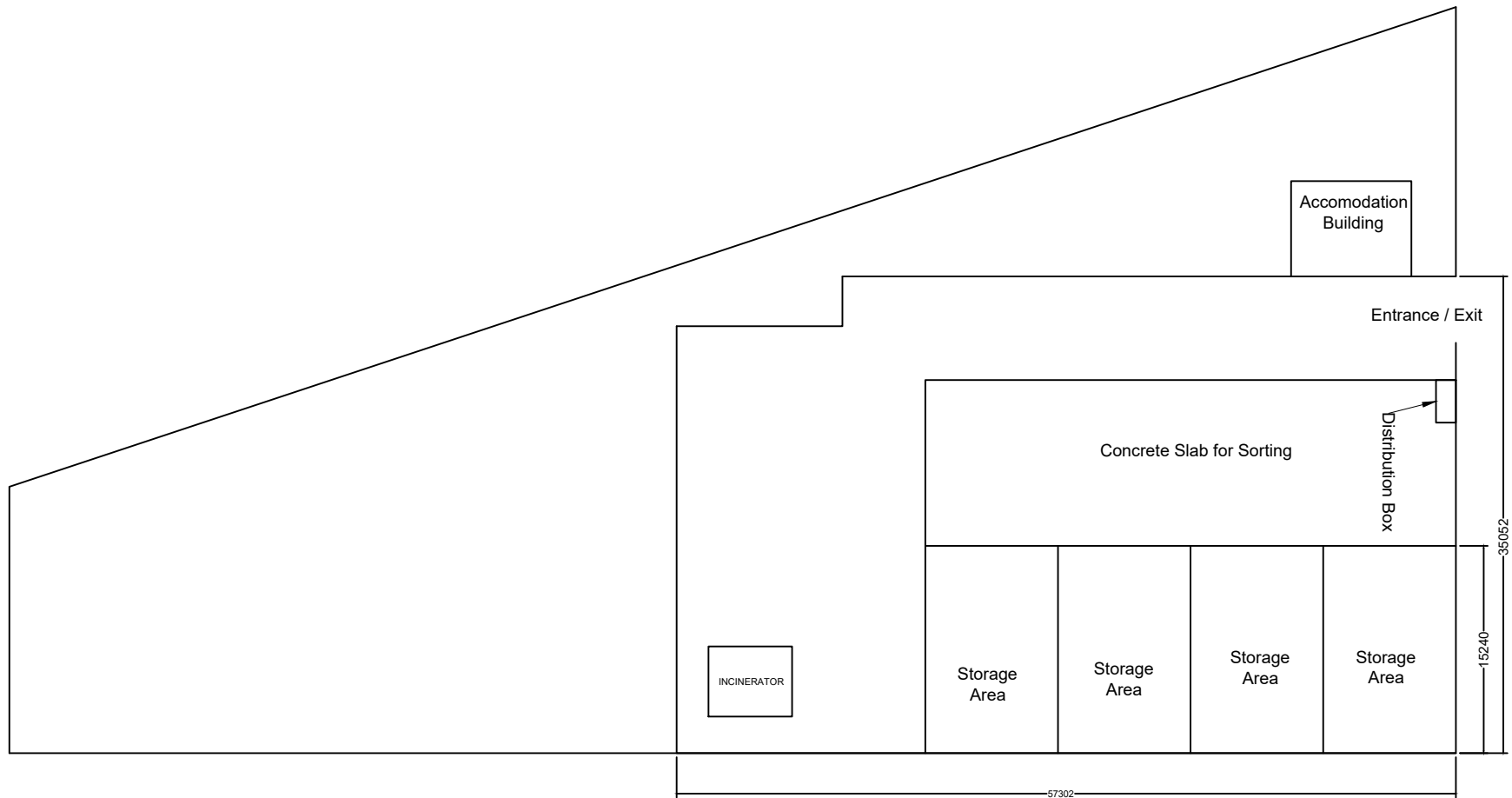
PROJECT:

**CONSTRUCTION OF
AN ISLAND WASTE MANAGEMENT CENTRE
GDH. THINADHOO**

PREPARED BY:

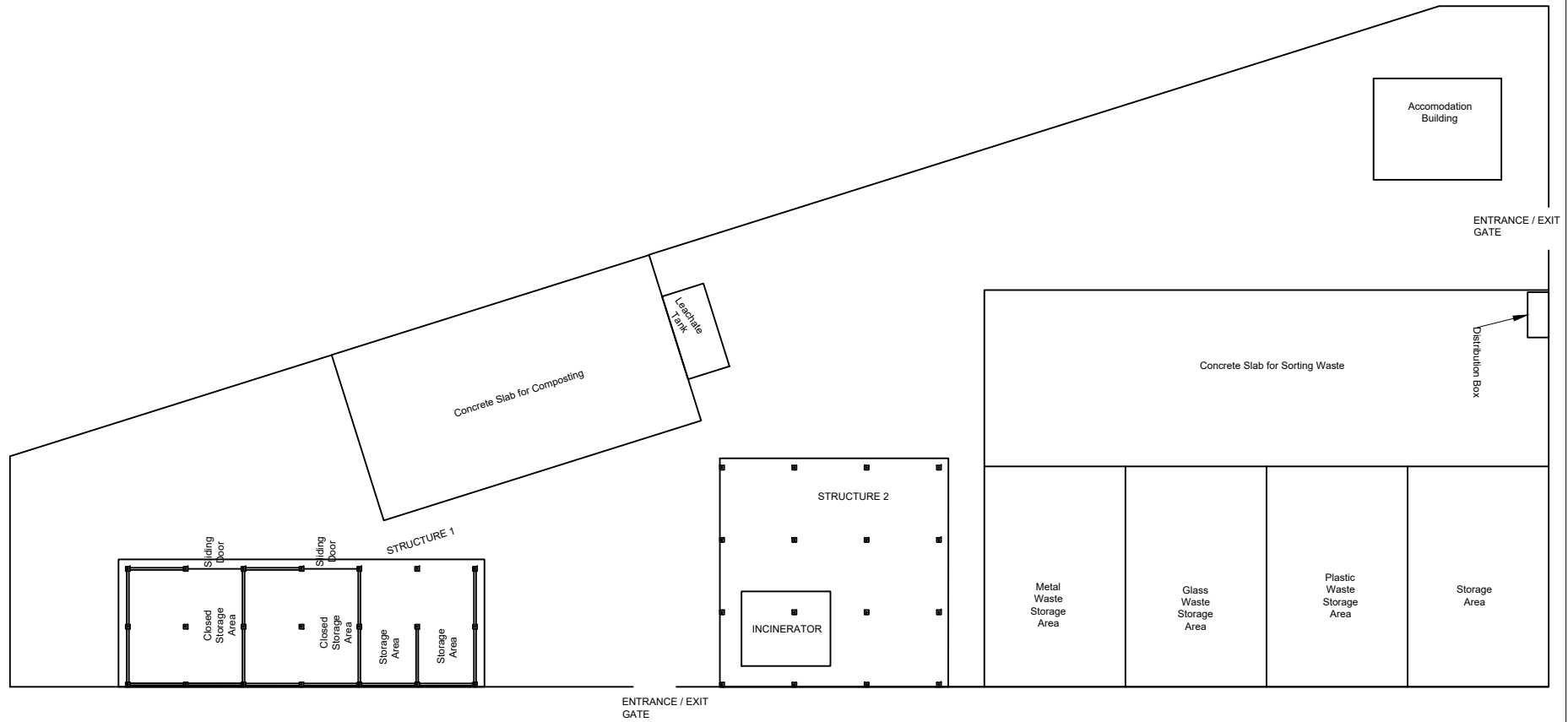
WASTE MANAGEMENT AND POLLUTION CONTROL DEPARTMENT
MINISTRY OF ENVIRONMENT AND ENERGY

June 2017



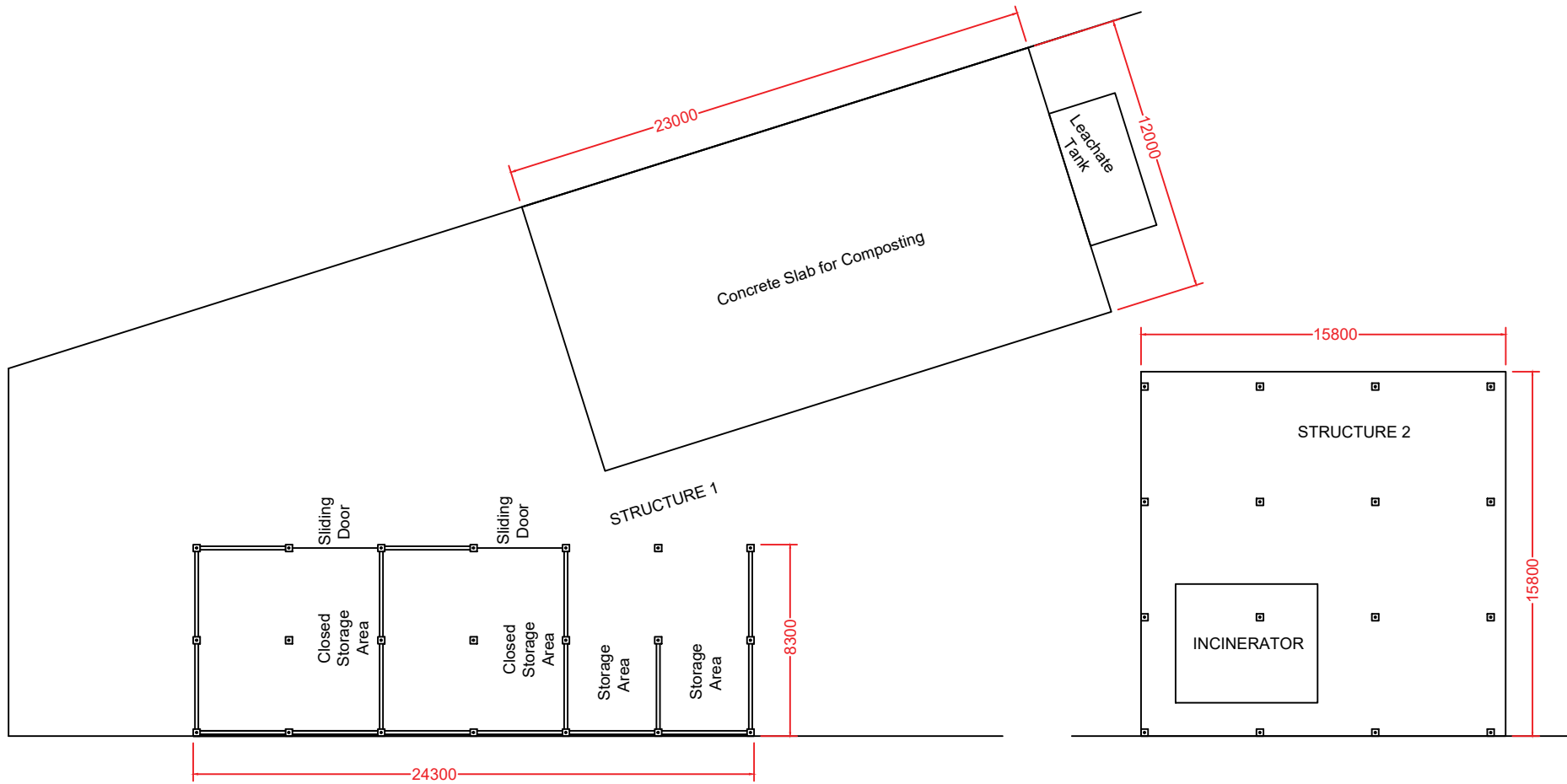
EXISTING SITE LAYOUT



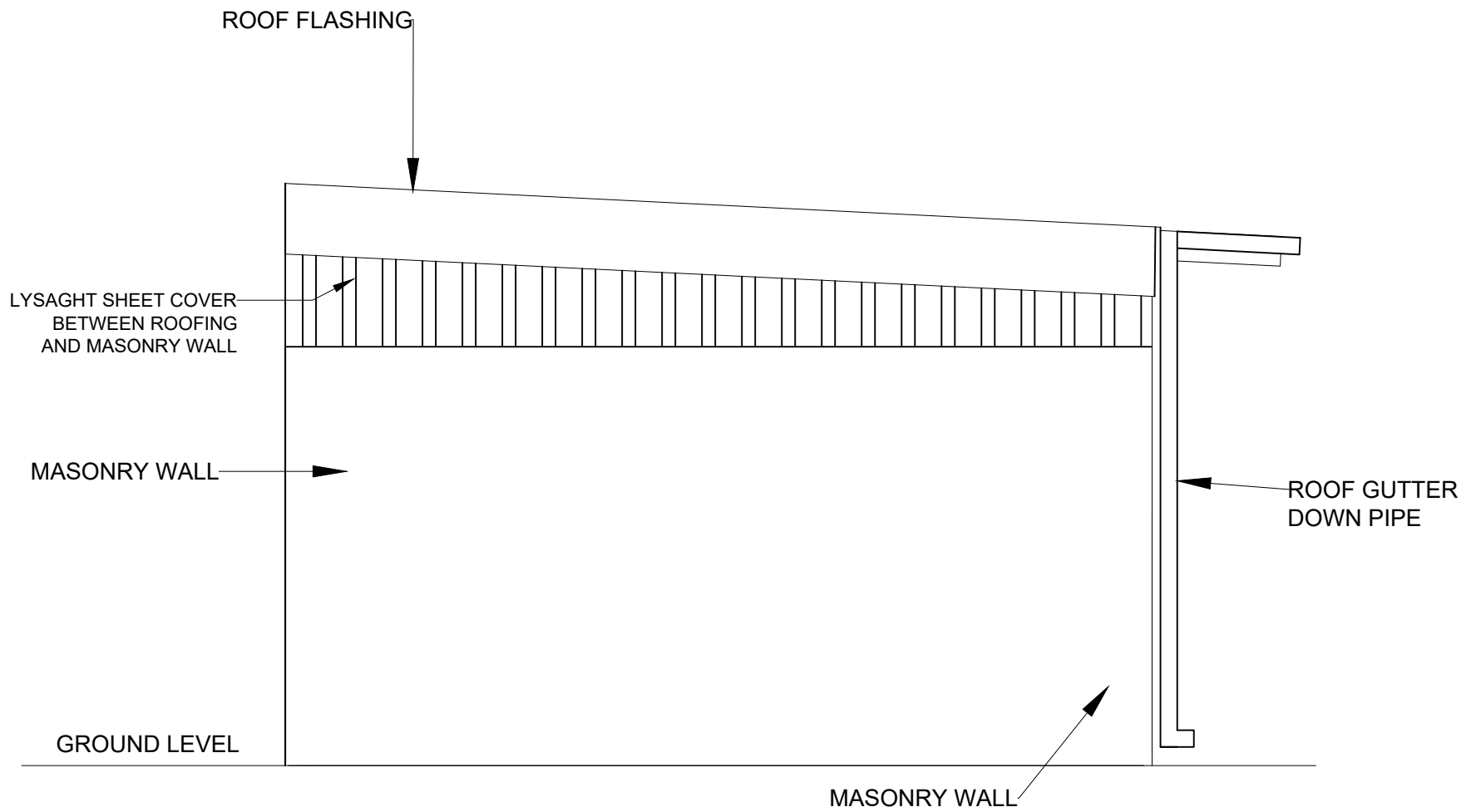


PROPOSED SITE LAYOUT

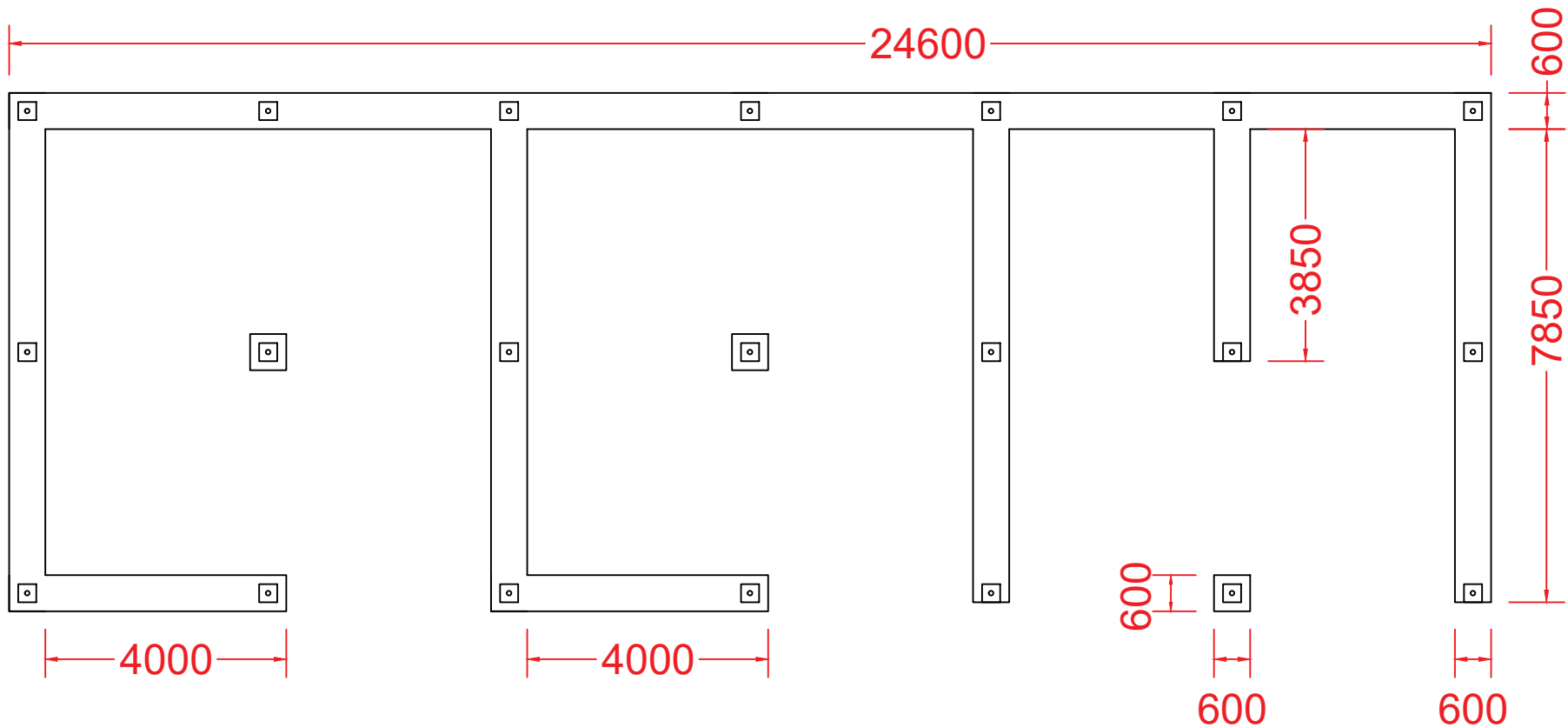




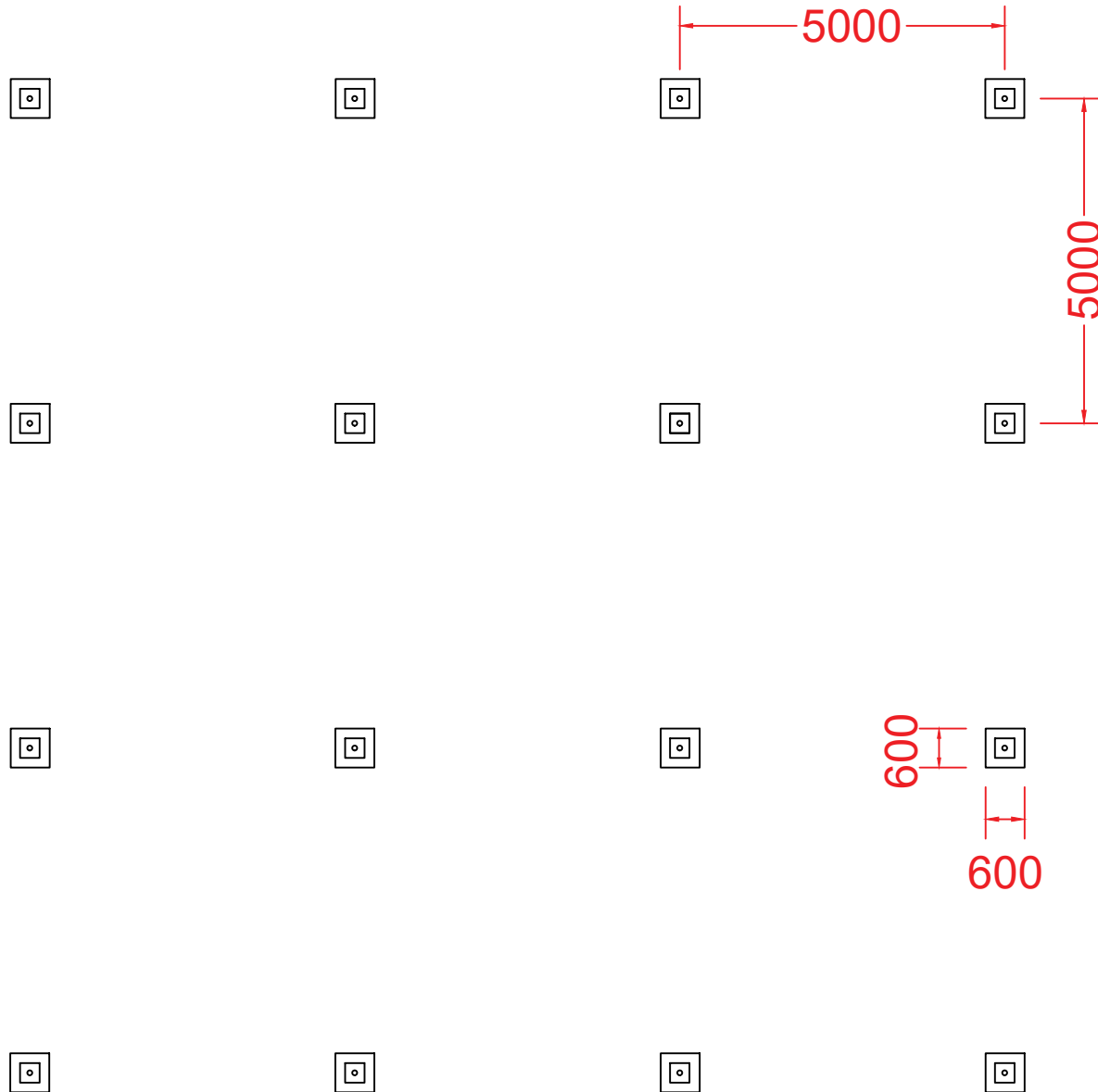
PROPOSED SITE PLAN



SIDE ELEVATION OF STRUCTURE 1

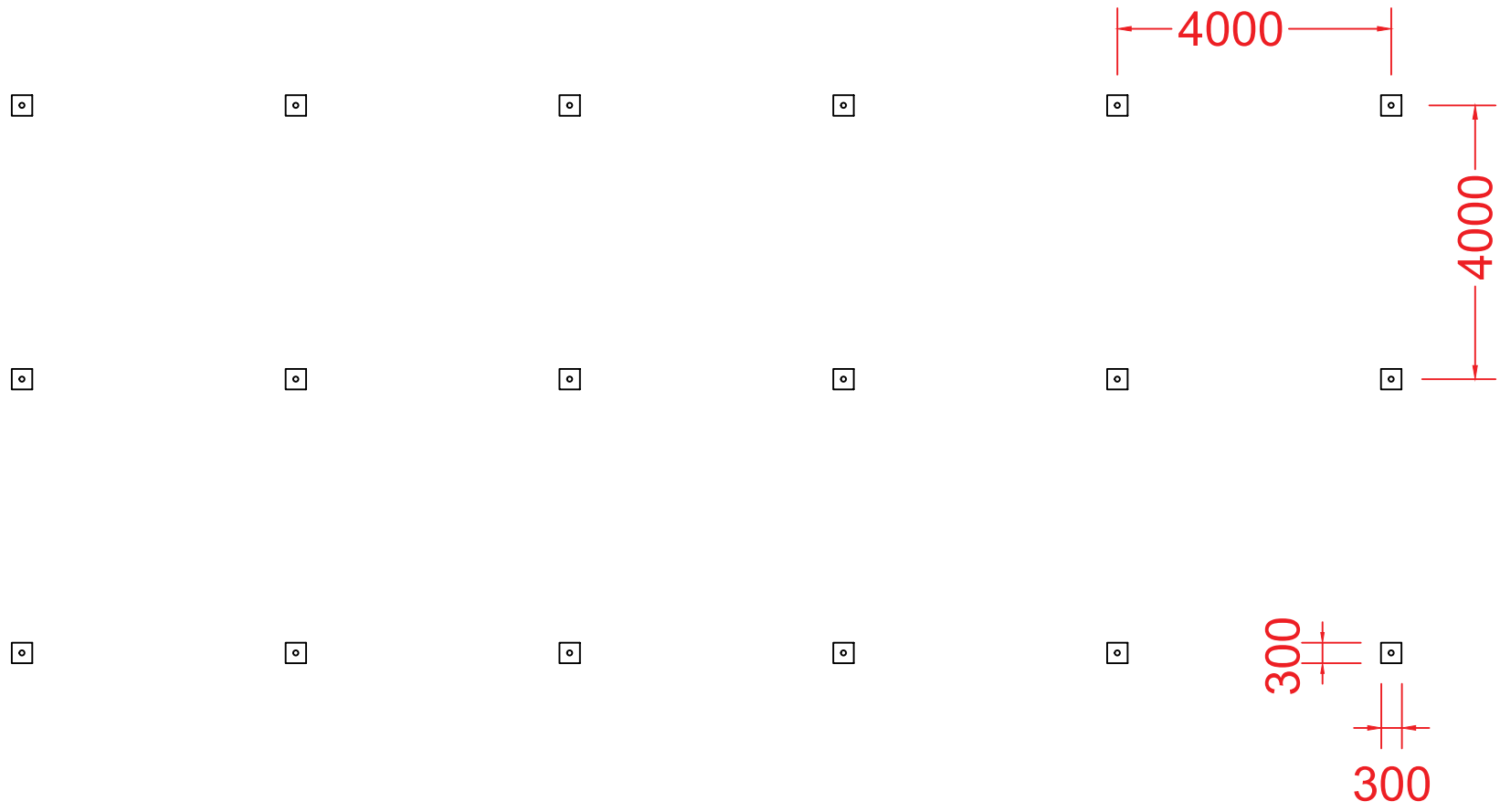


FOUNDATION PLAN - WALL FOOTING
AND ISOLATED COLUMNS OF STRUCTURE 1



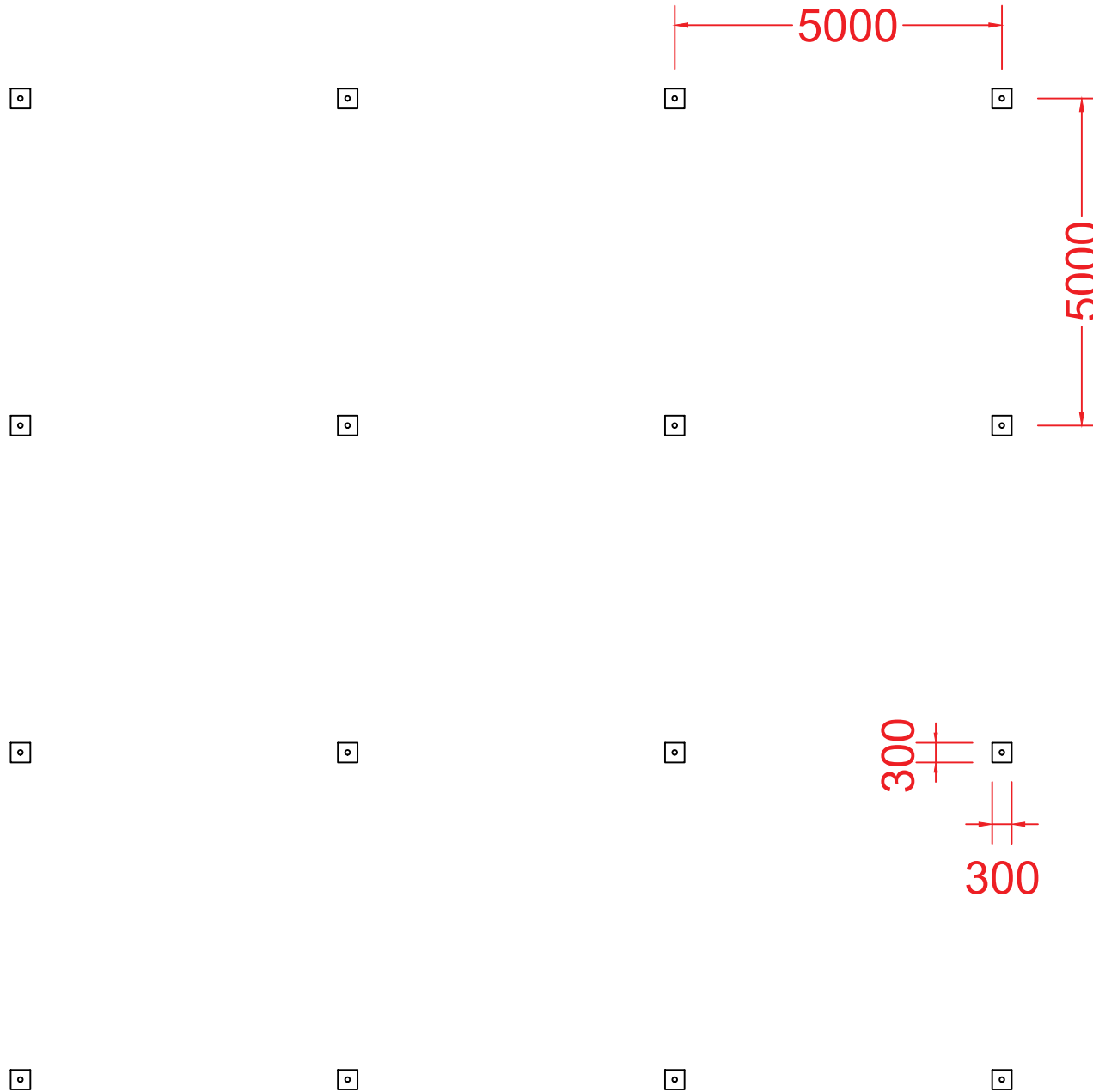
FOUNDATION PLAN - ISOLATED COLUMNS OF STRUCTURE 2





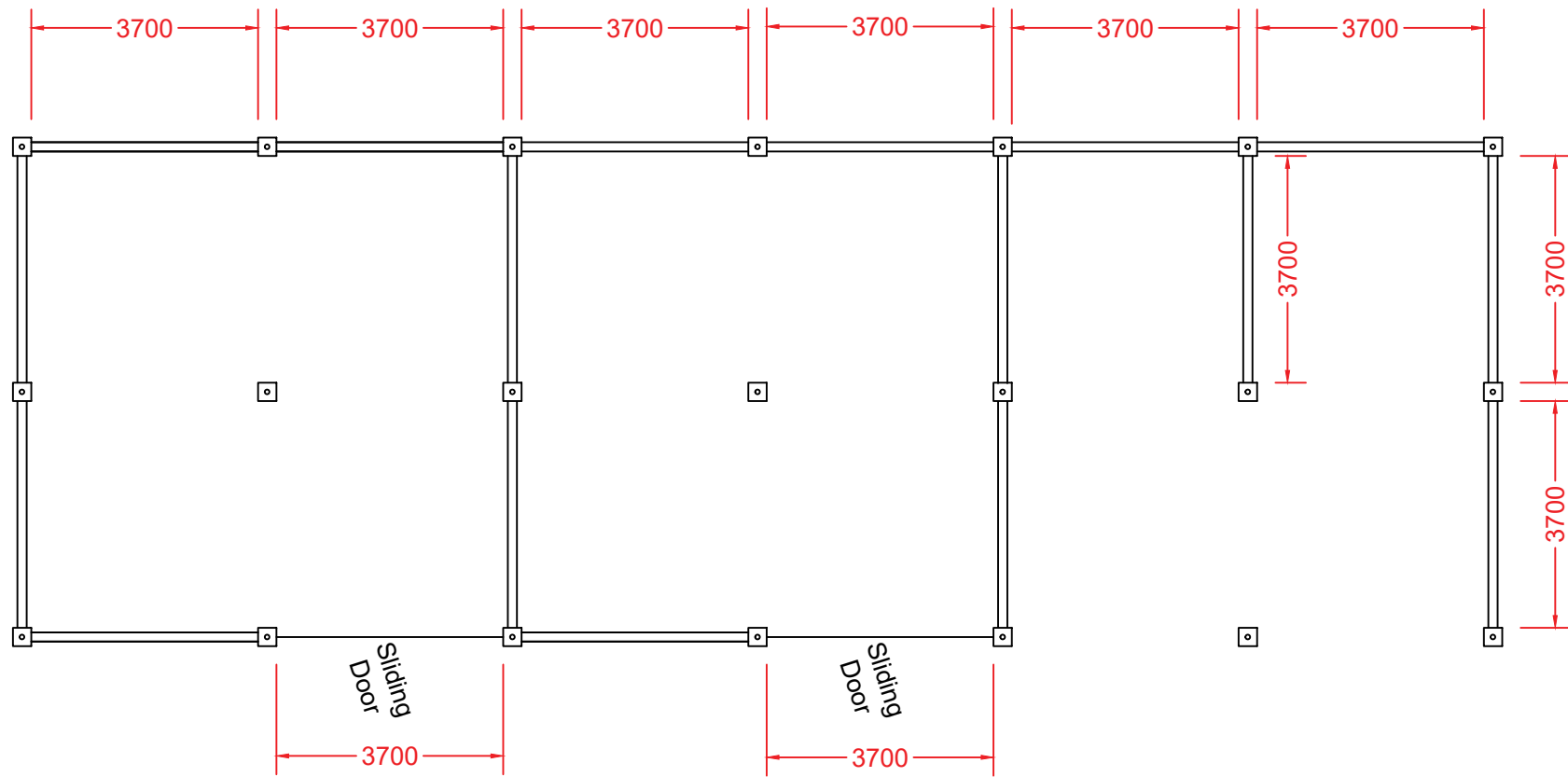
FOUNDATION PLAN - COLUMNS OF STRUCTURE 1



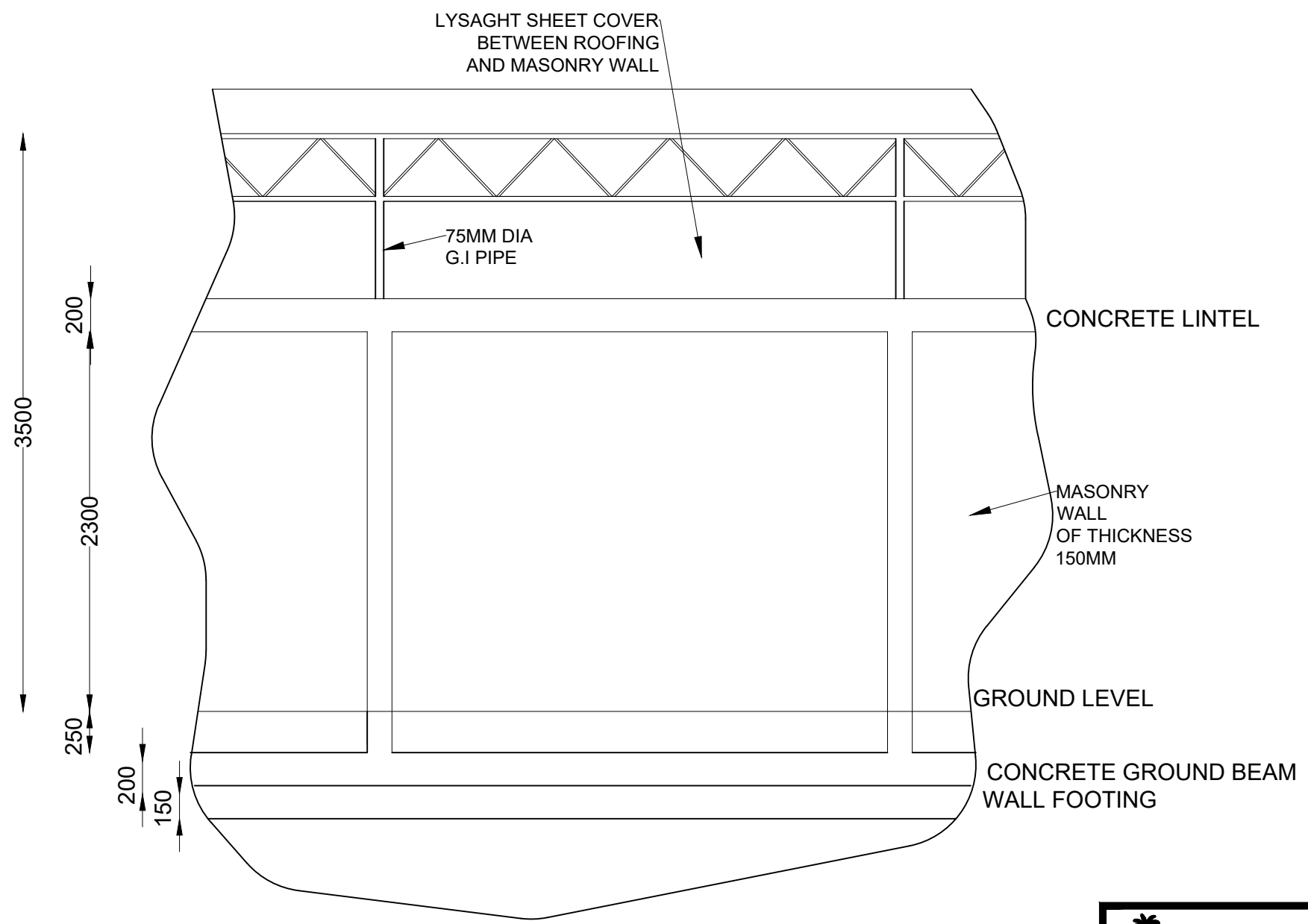


FOUNDATION PLAN - COLUMNS OF STRUCTURE 2

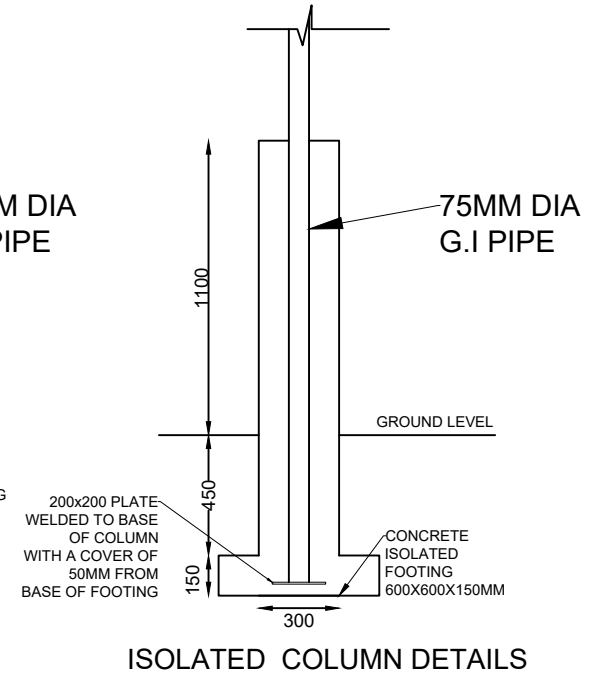
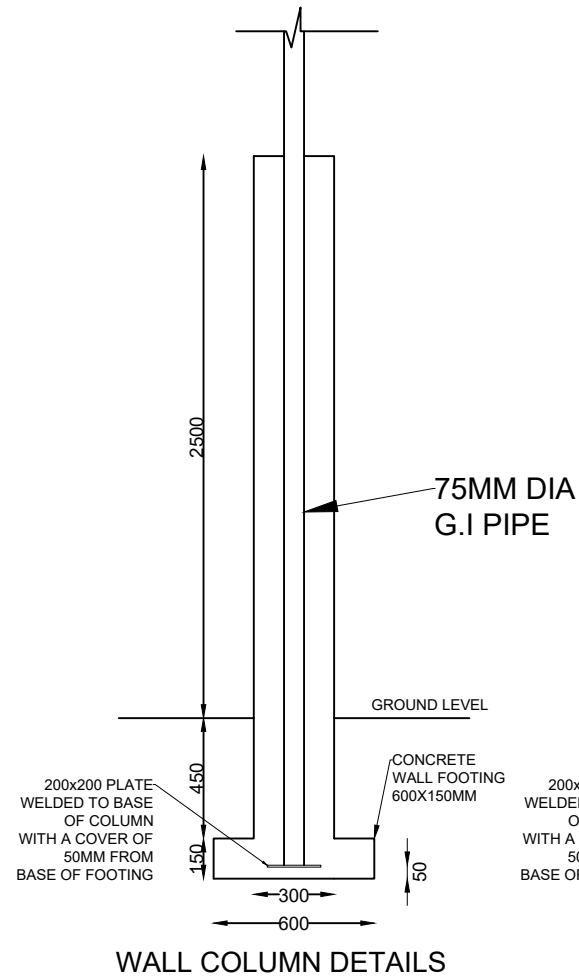
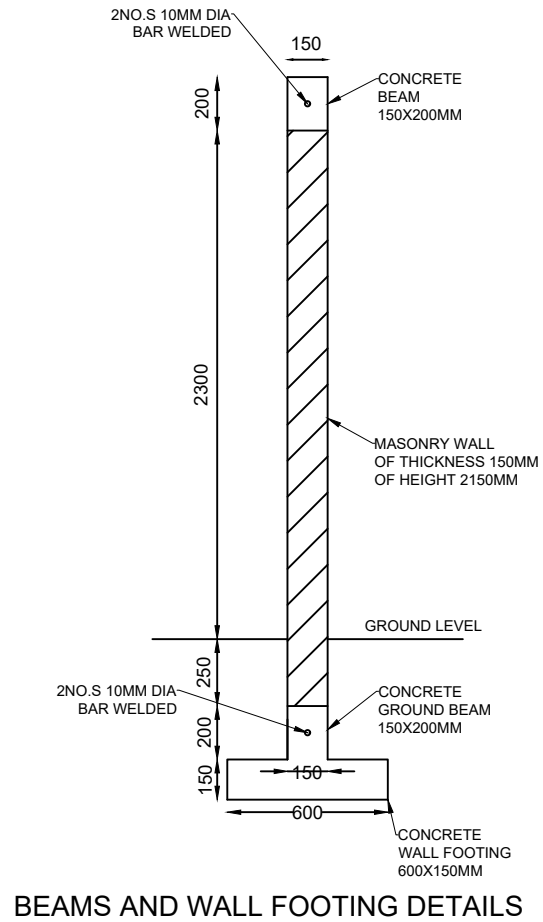




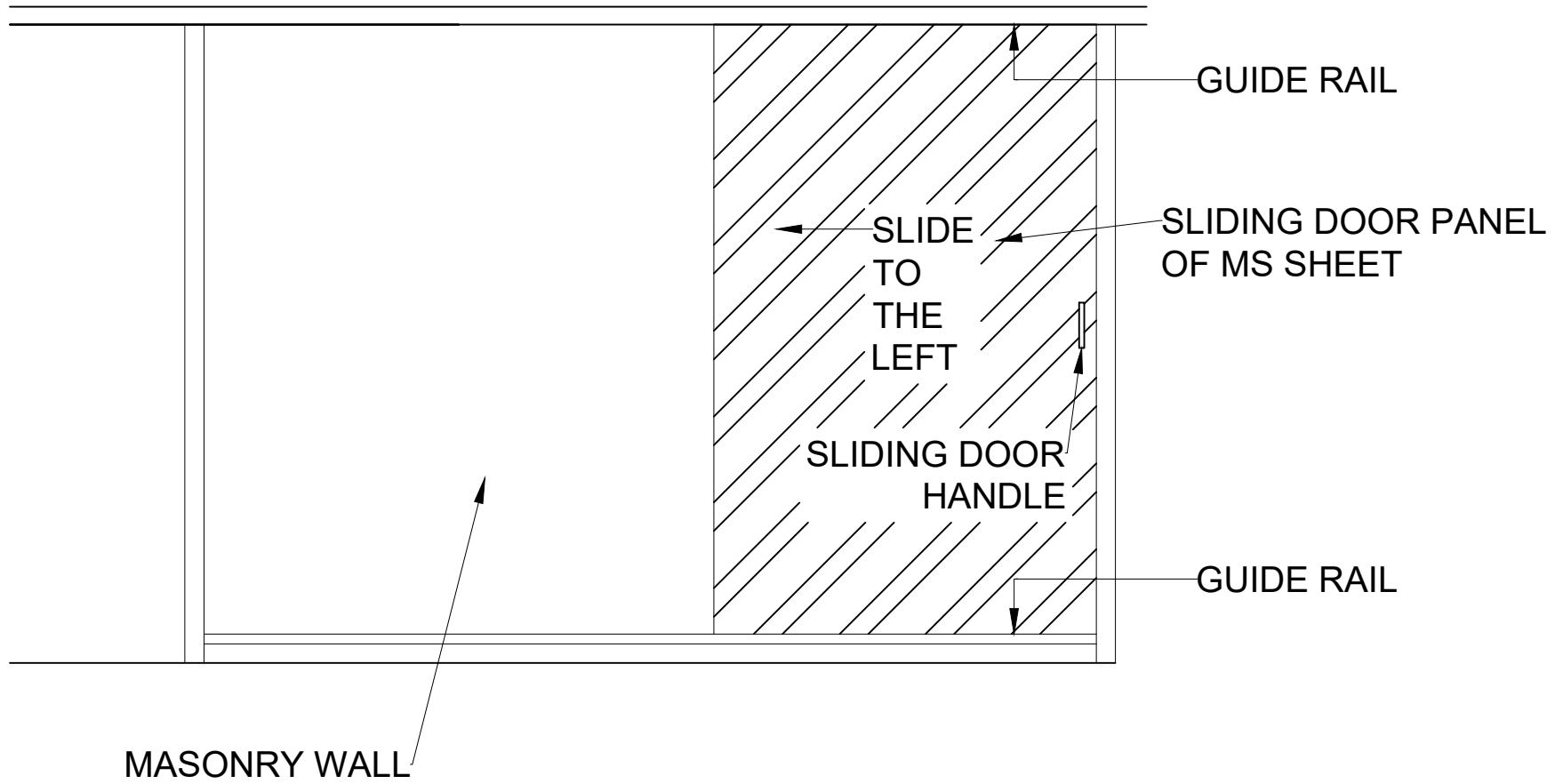
MASONRY WALL DETAILS



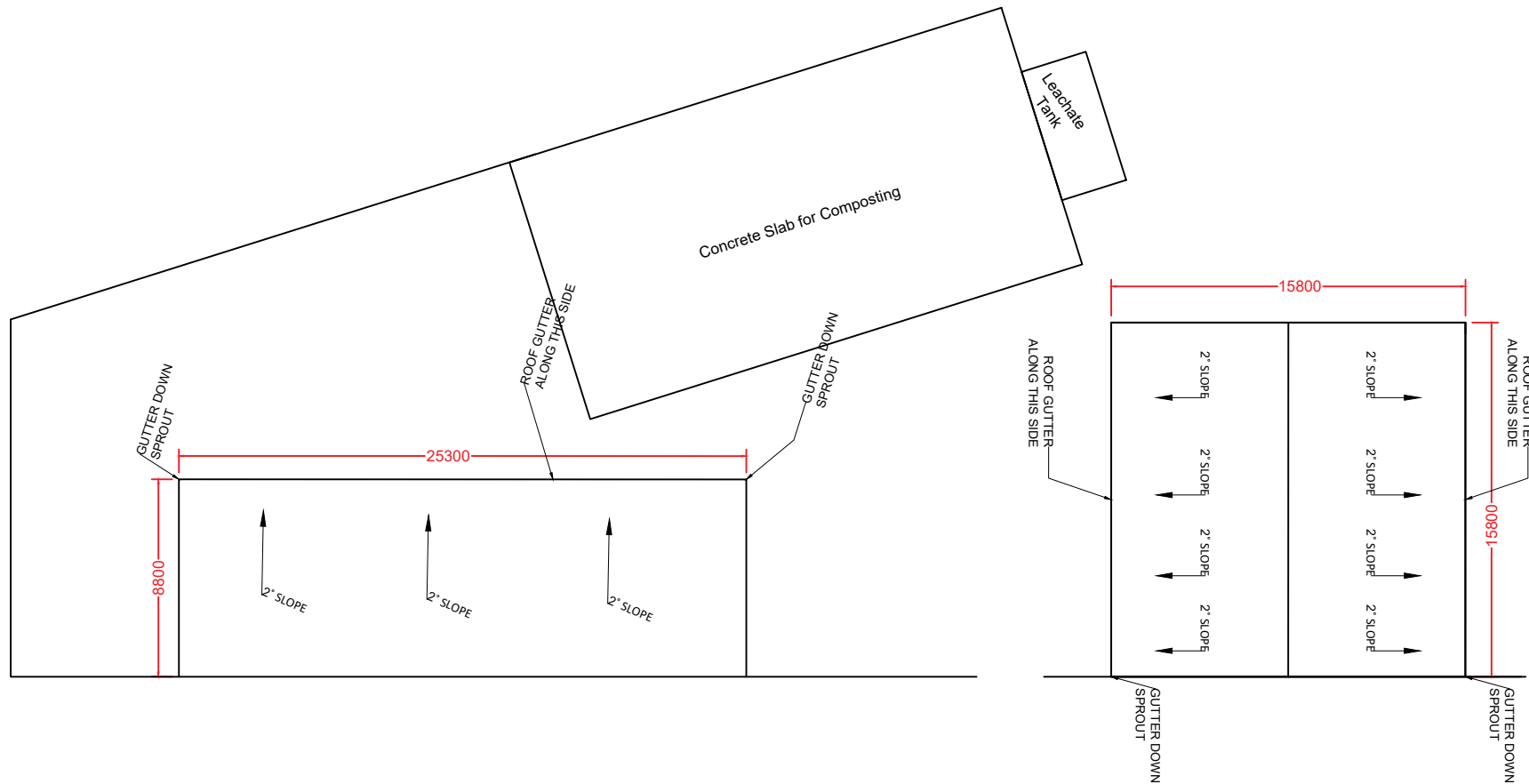
WALL DETAILS



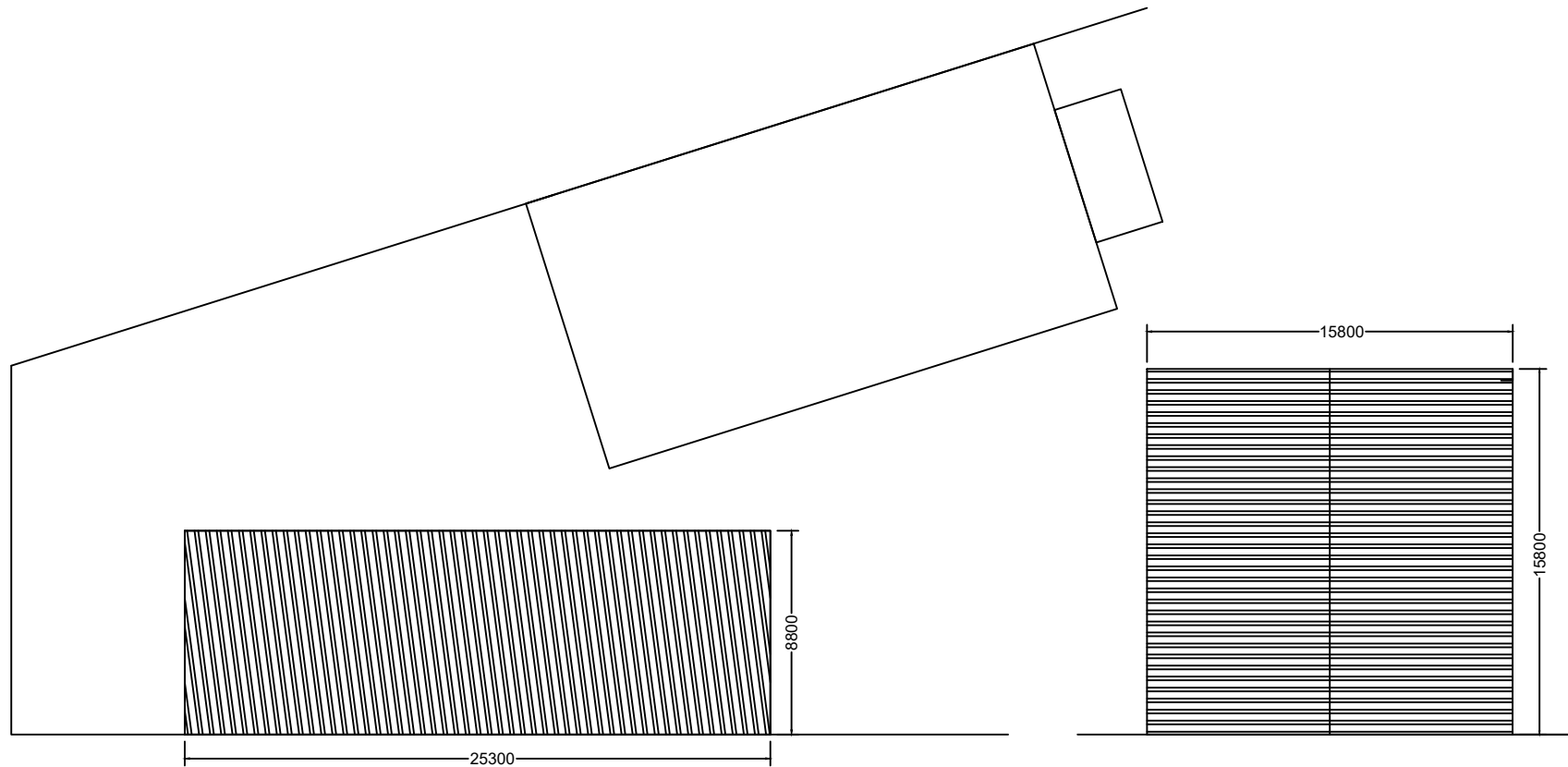
WALLS AND COLUMNS DETAILS



SLIDING DOOR DETAILS

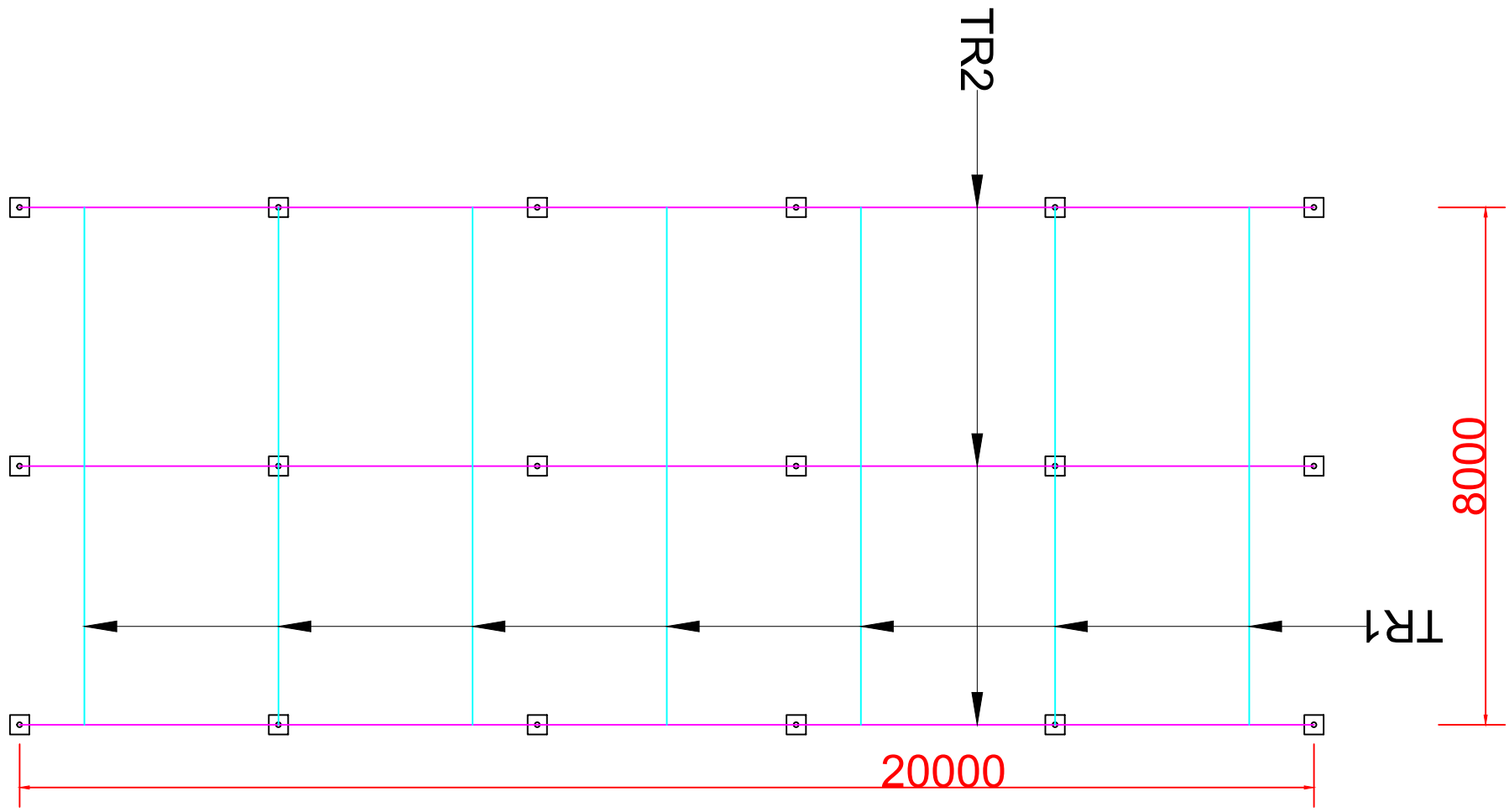


ROOF PLAN



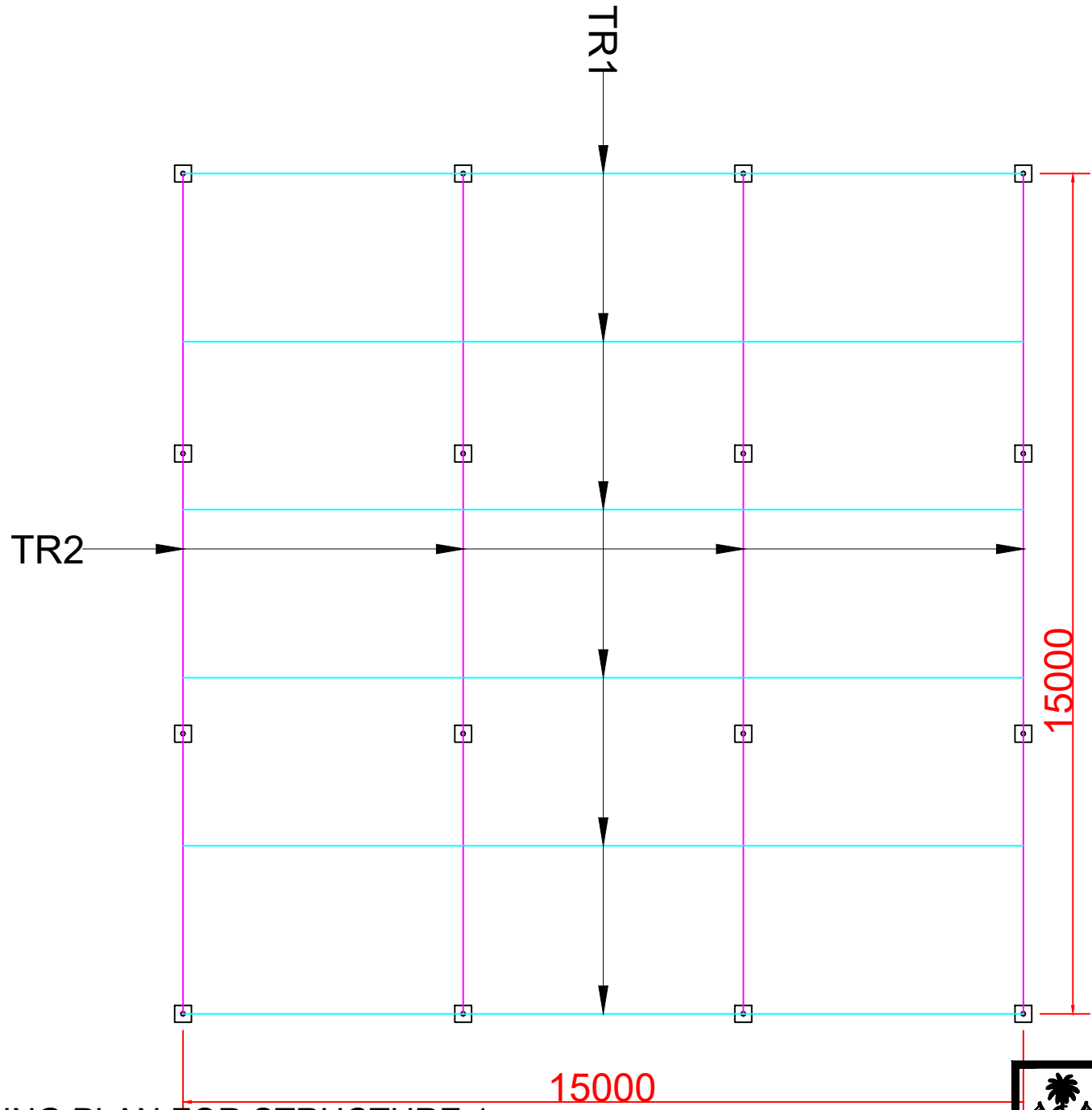
ROOF SLOPE





ROOF FRAMING PLAN FOR STRUCTURE 1

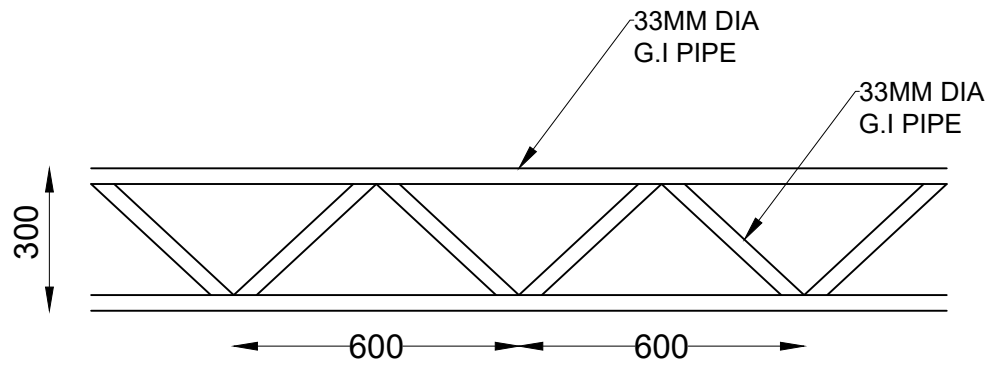




ROOF FRAMING PLAN FOR STRUCTURE 1



WMPC DEPARTMENT
MINISTRY OF ENVIRONMENT AND ENERGY
GREEN BUILDING, HANOHUWREE HINGUN,
MAAFANNU, MALÉ (20392), REPUBLIC OF MALDIVES
TEL:3018431, 3018300, FAX:328301

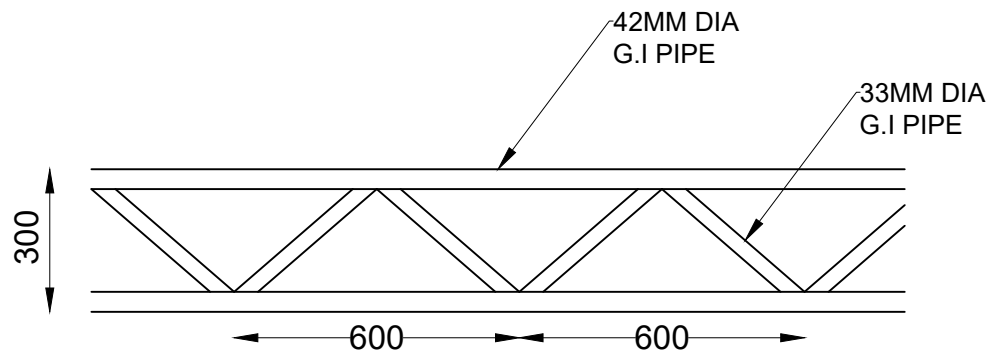


TR1 TRUSS

*Provide TR1 TRUSS @3m c/c

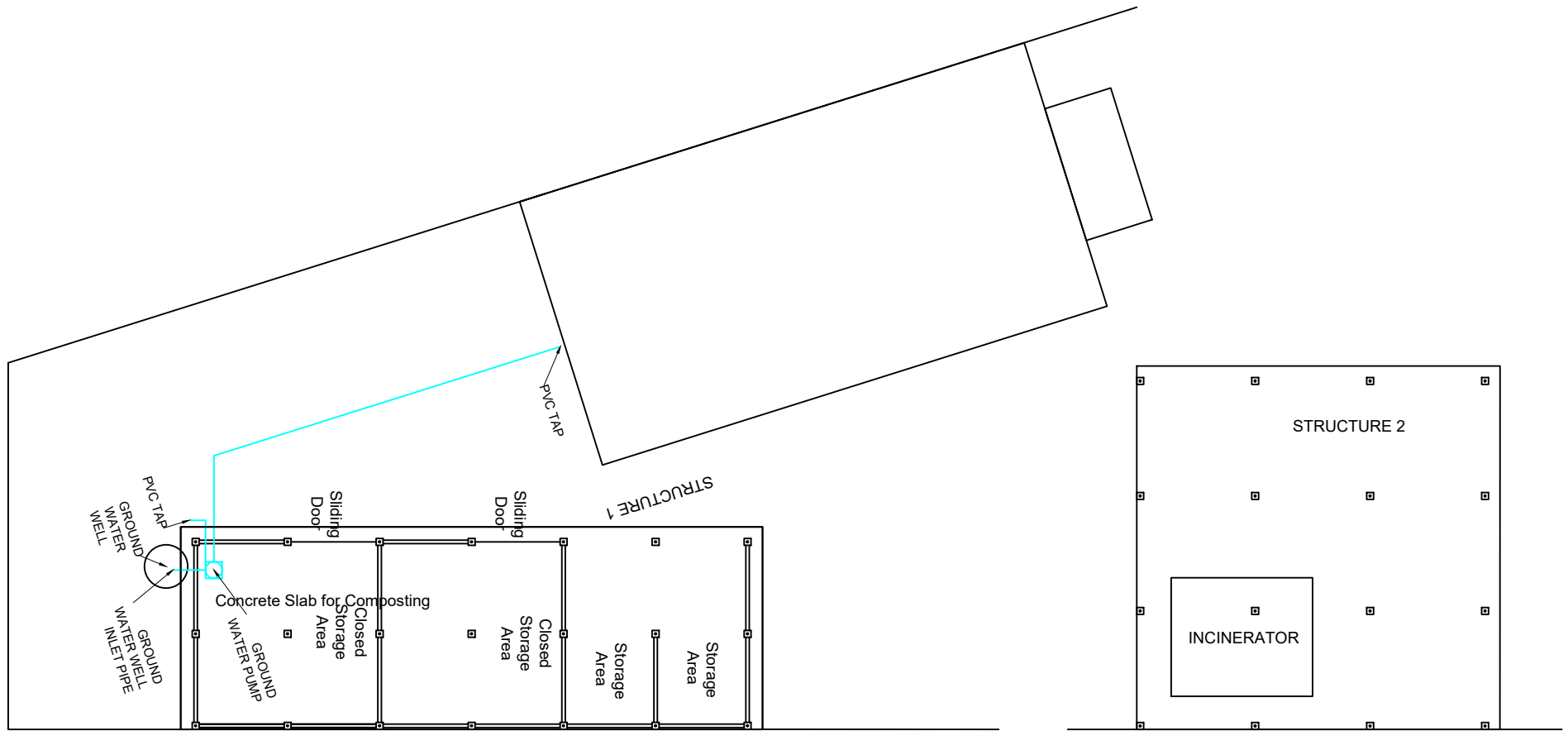
*Provide 38mm Dia G.I Pipe @ 2m c/c over truss as rafters

*Provide 25mm Dia G.I Pipe @ 1m c/c over rafters as purlins

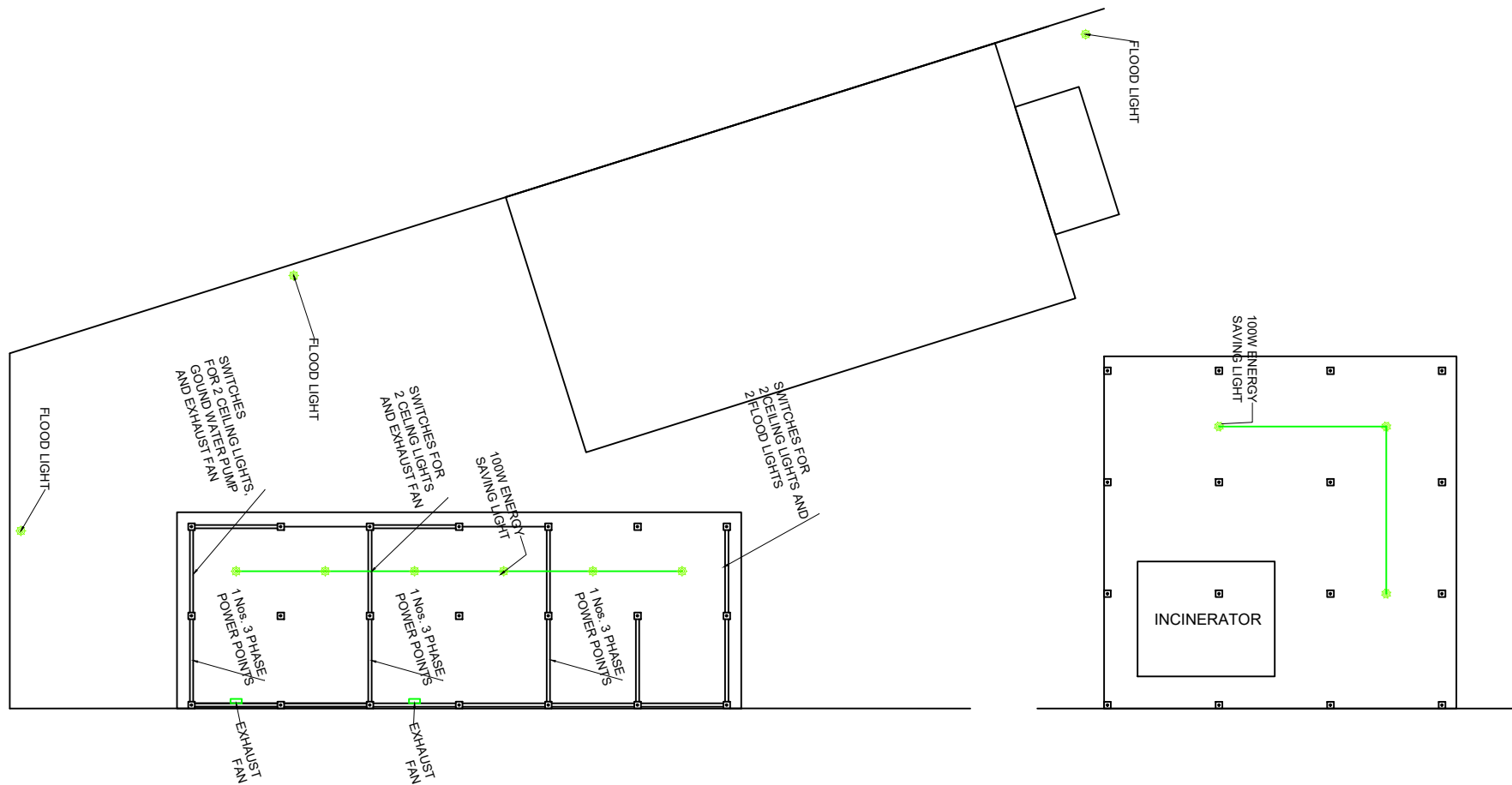


TR2 TRUSS

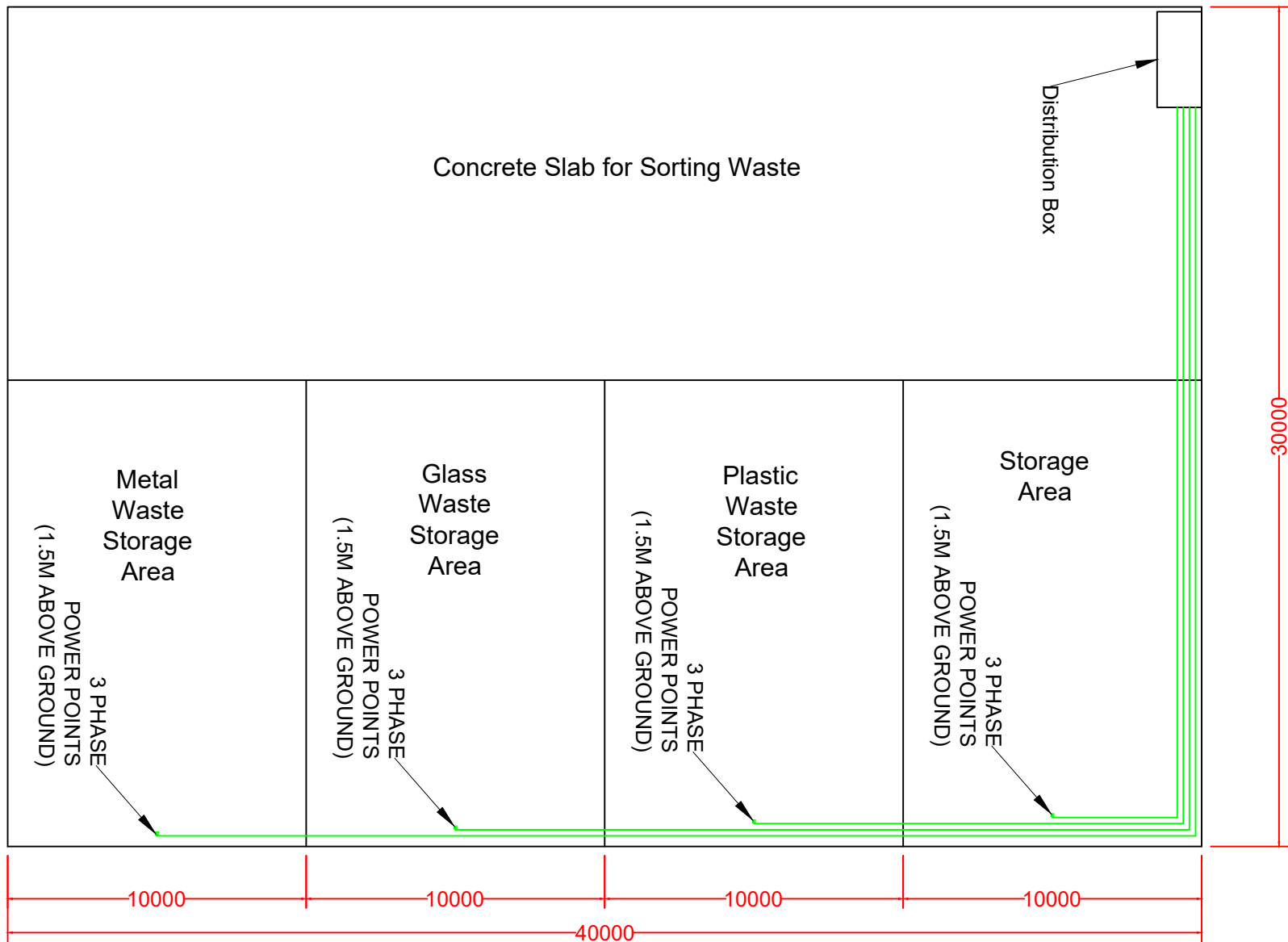
ROOF FRAMING PLAN



PLUMBING DETAILS

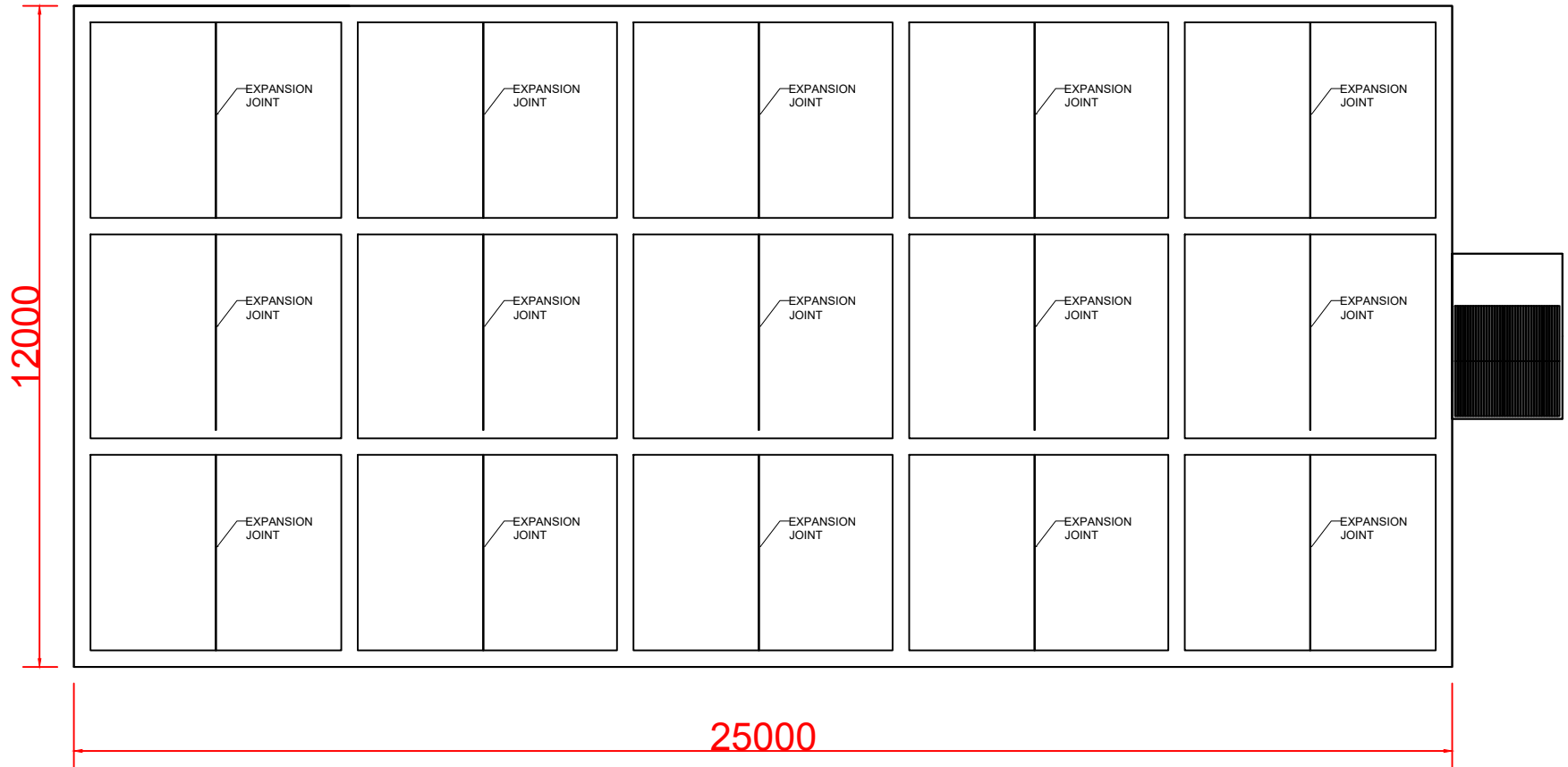


ELECTRICAL LAYOUT - LIGHTS

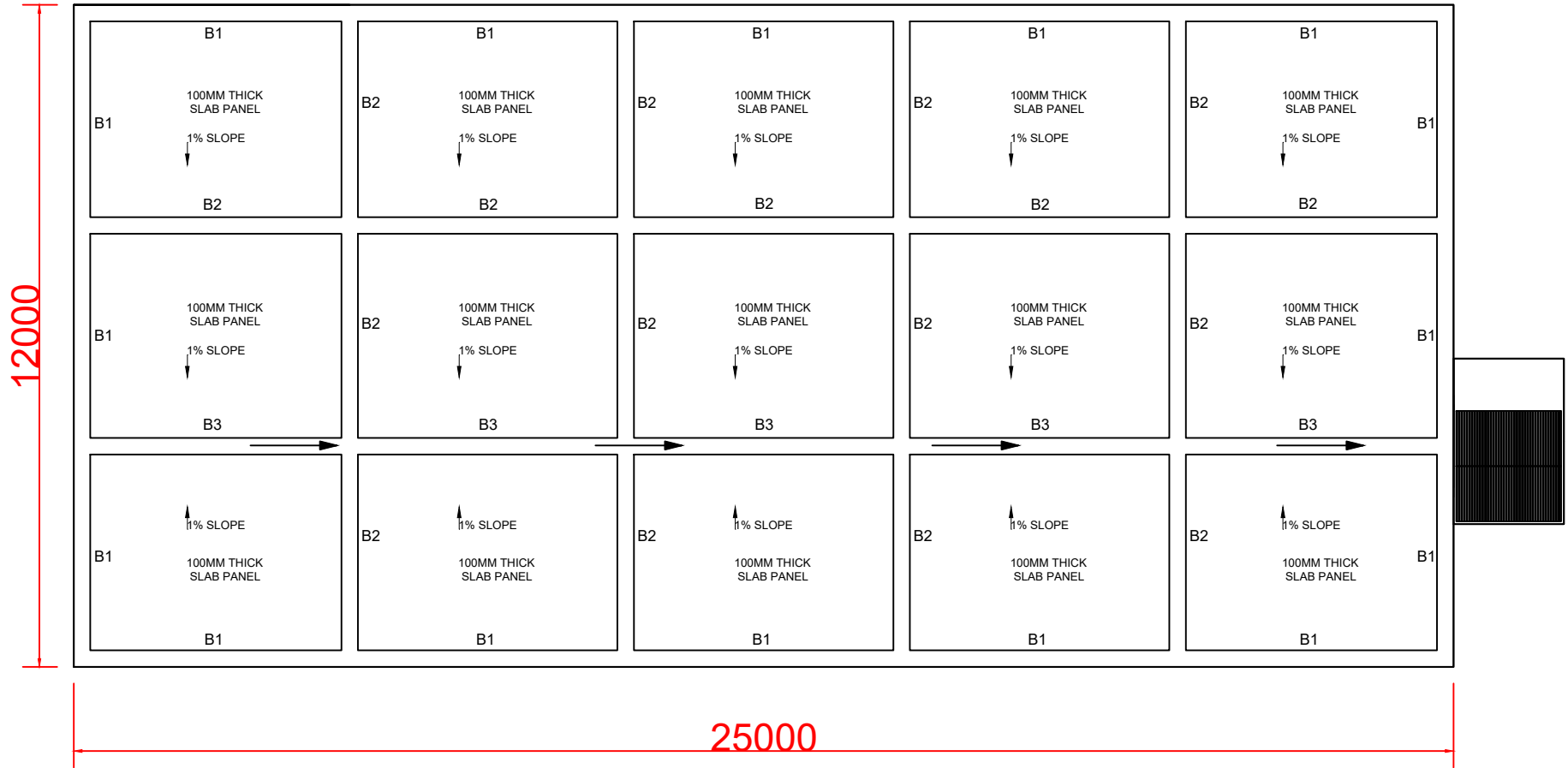


ELECTRICAL LAYOUT - EQUIPMENT ROOM

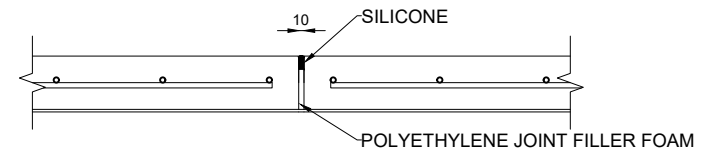
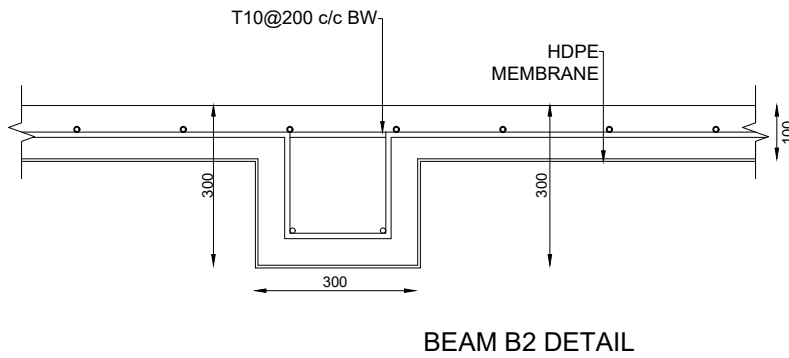
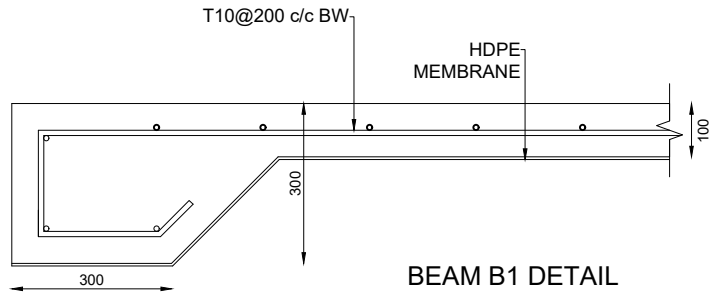




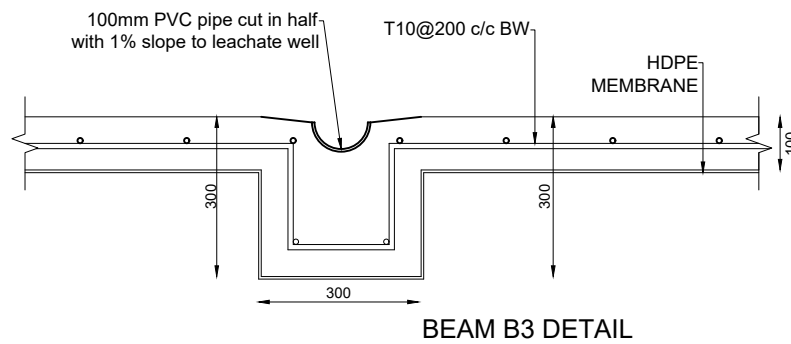
COMPOST SLAB - JOINTS AND SPACINGS



COMPOST SLAB - BEAMS AND SLABS



SLAB EXPANSION
JOINT DETAIL



COMPOST SLAB BEAM DETAILS

ACCESS DOOR
TO PRIMARY TANK
WITH TIMBER COVER
1000x2000mm

SECTION AA

SECTION BB

2000

SECTION AA

3000

ACCESS DOOR
TO SECONDARY TANK
WITH TIMBER COVER
1000x2000mm

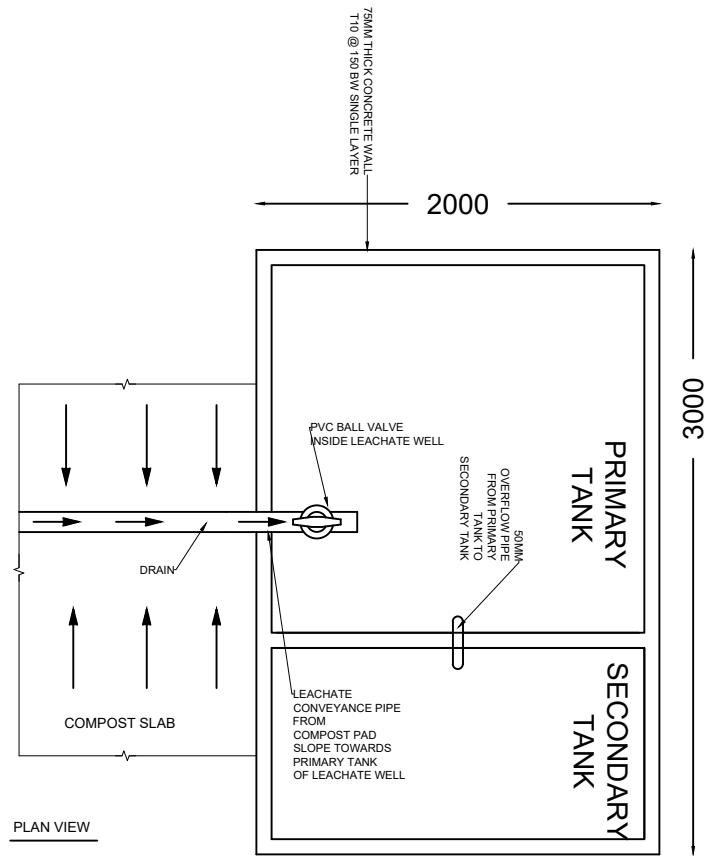
SECTION BB

500
FROM TOP MS SH
AND TIM

TIN

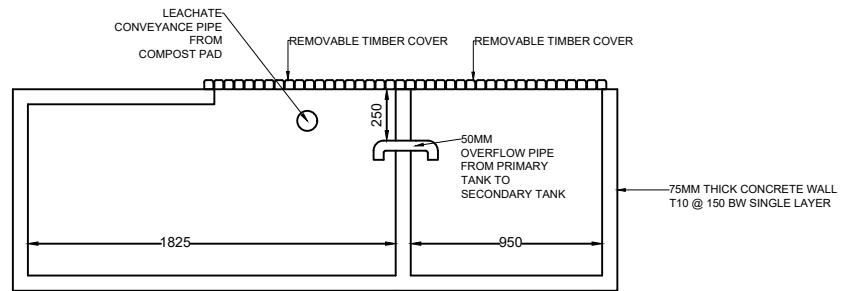
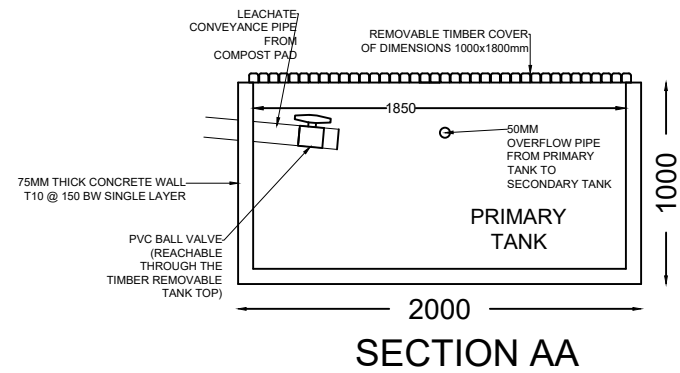
LEACHATE COLLECTION TANK





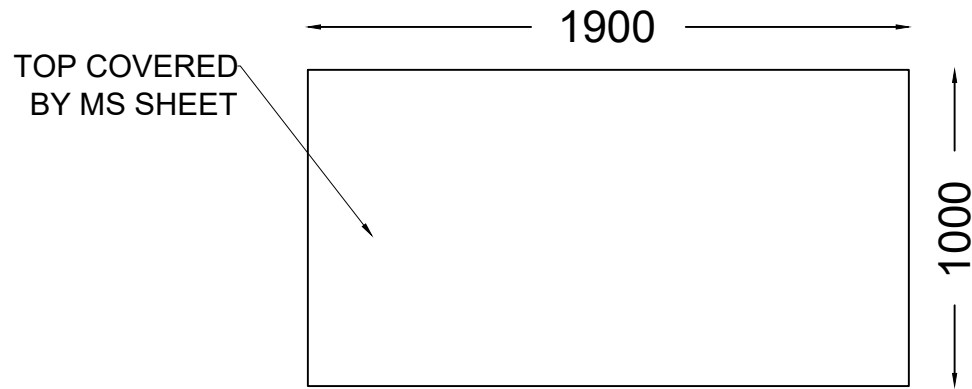
PLAN

LEACHATE WELL DETAILS

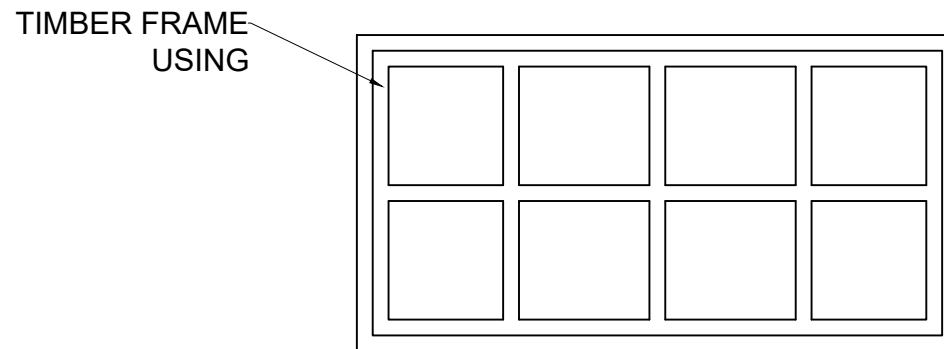


SECTION BB

LEACHATE COLLECTION TANK - DETAILS

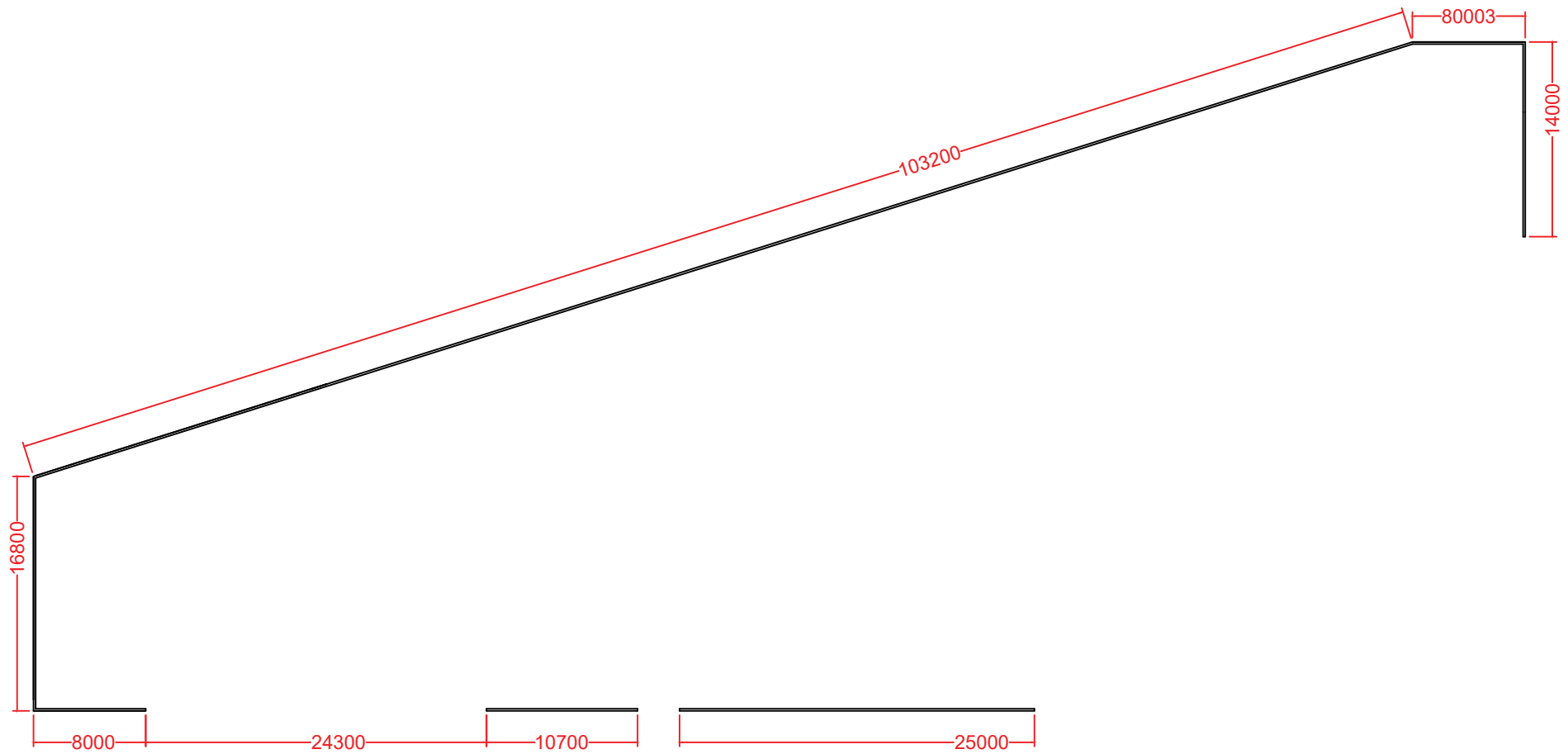


TOP VIEW



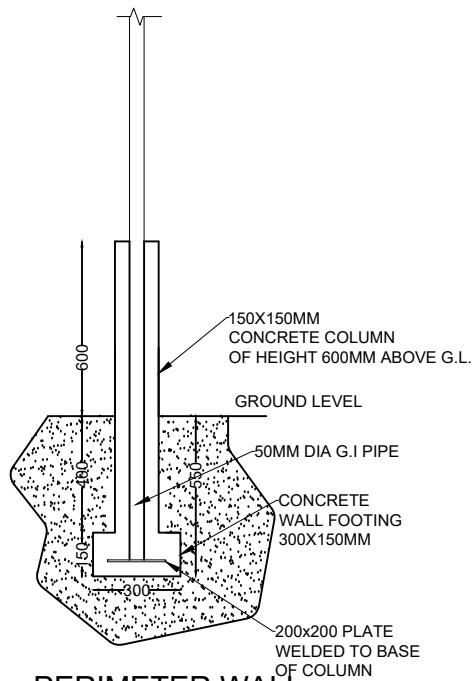
BOTTOM VIEW

LEACHATE COLLECTION TANK - COVER DETAILS

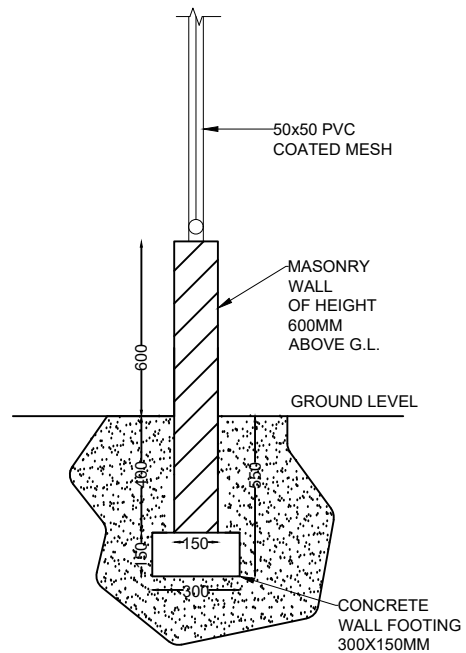


FENCE LAYOUT

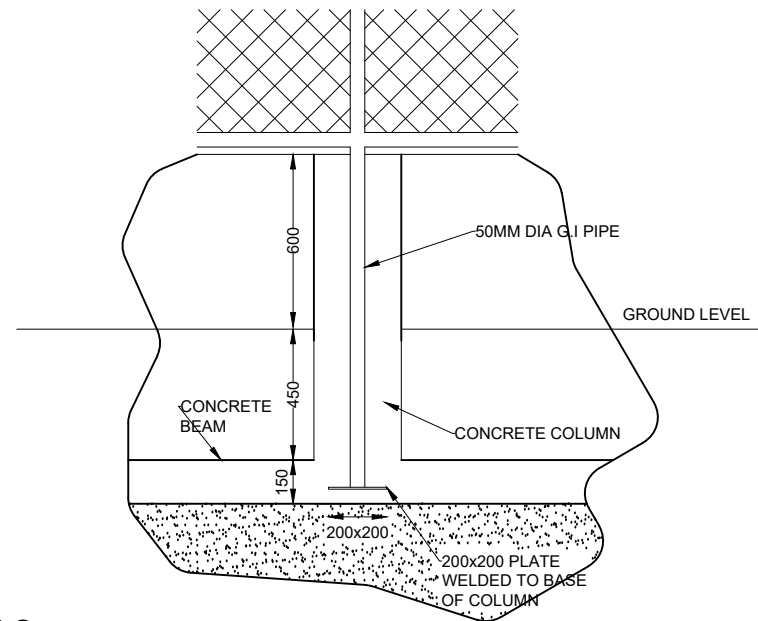




**PERIMETER WALL
COLUMN DETAILS**

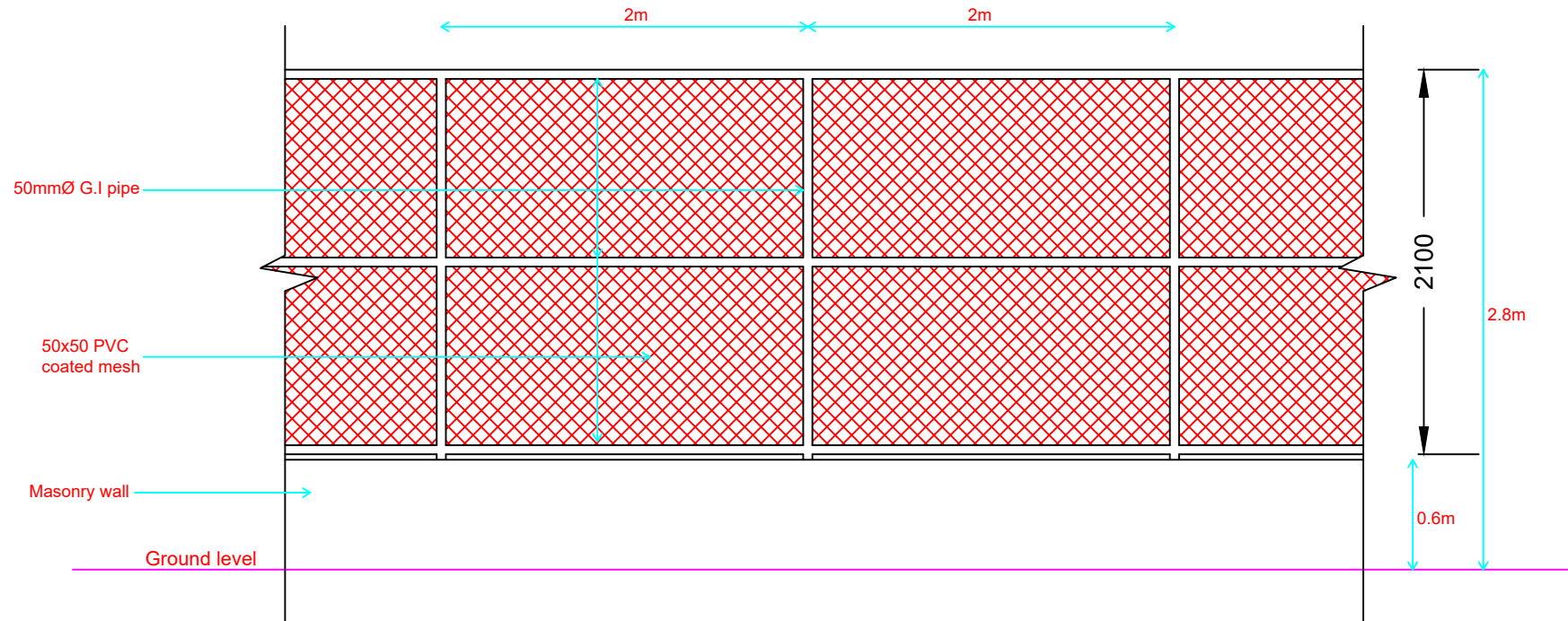


**PERIMETER WALL
BEAM AND WALL FOOTING DETAILS**



**PERIMETER FENCE
FOUNDATION DETAIL**

FENCE DETAILS

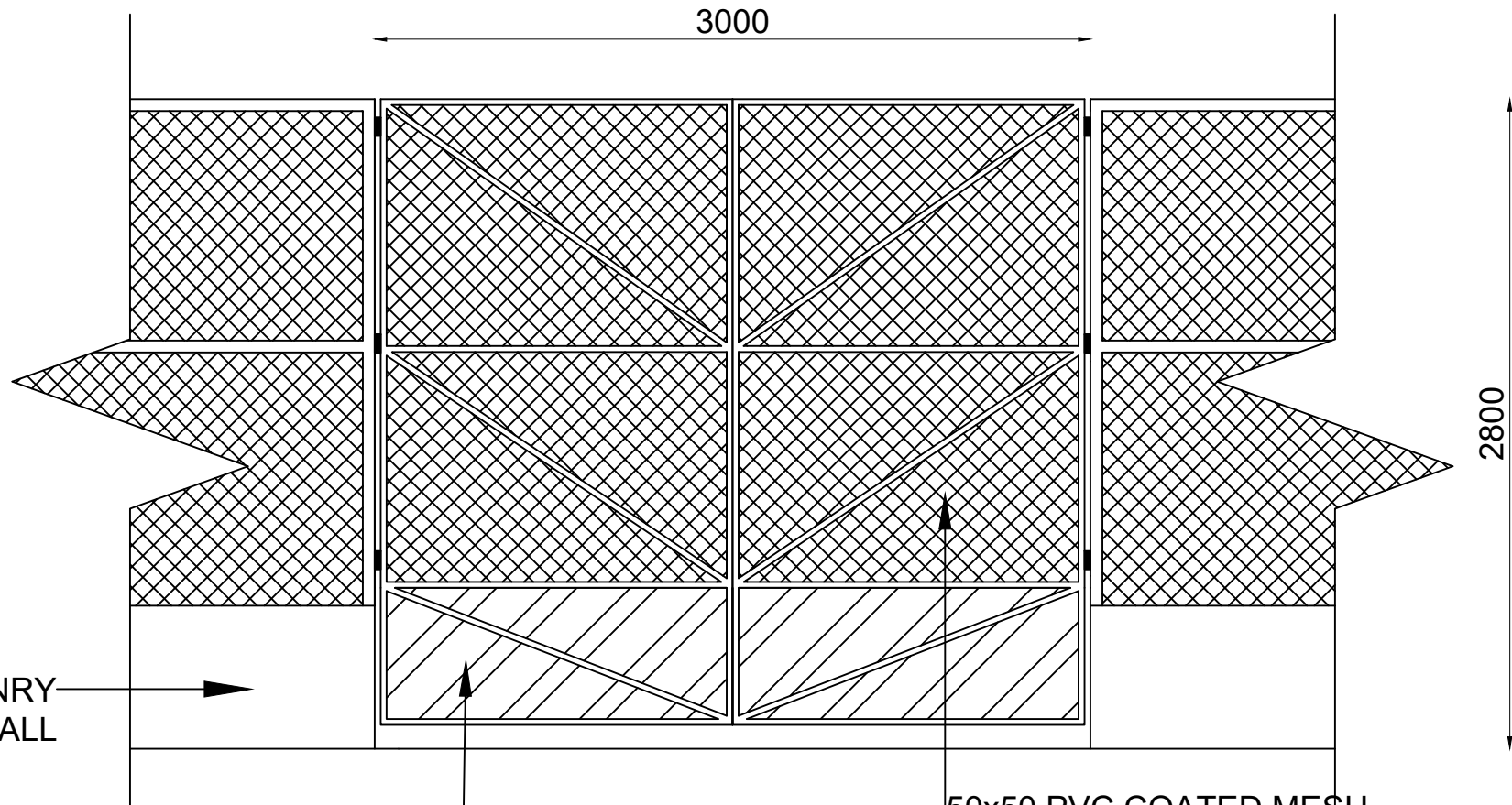


PERIMETER FENCE

NOTE: ALL WELDS
ARE 5mm FILLET
WELD AROUND
MEMBER

FENCE DETAILS





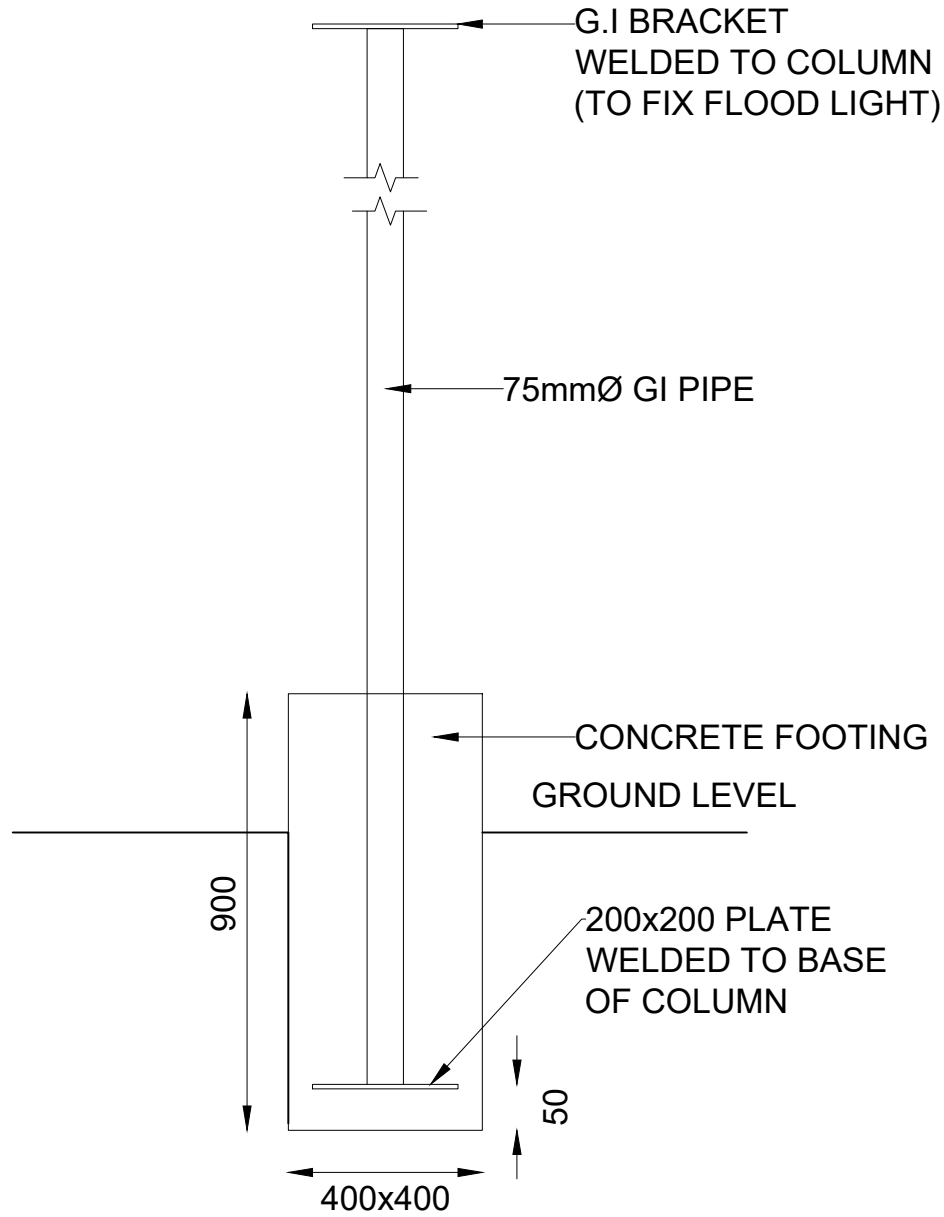
MASONRY WALL

3MM MS SHEET
COATED WITH PAINT

50x50 PVC COATED MESH

NOTE:
 - DOOR IS MADE FROM 25MM DIA GI PIPE
 - ALL WELDS ARE 5MM FILLET WELDS AROUND MEMBER

GATE DETAILS



FENCE DETAILS