



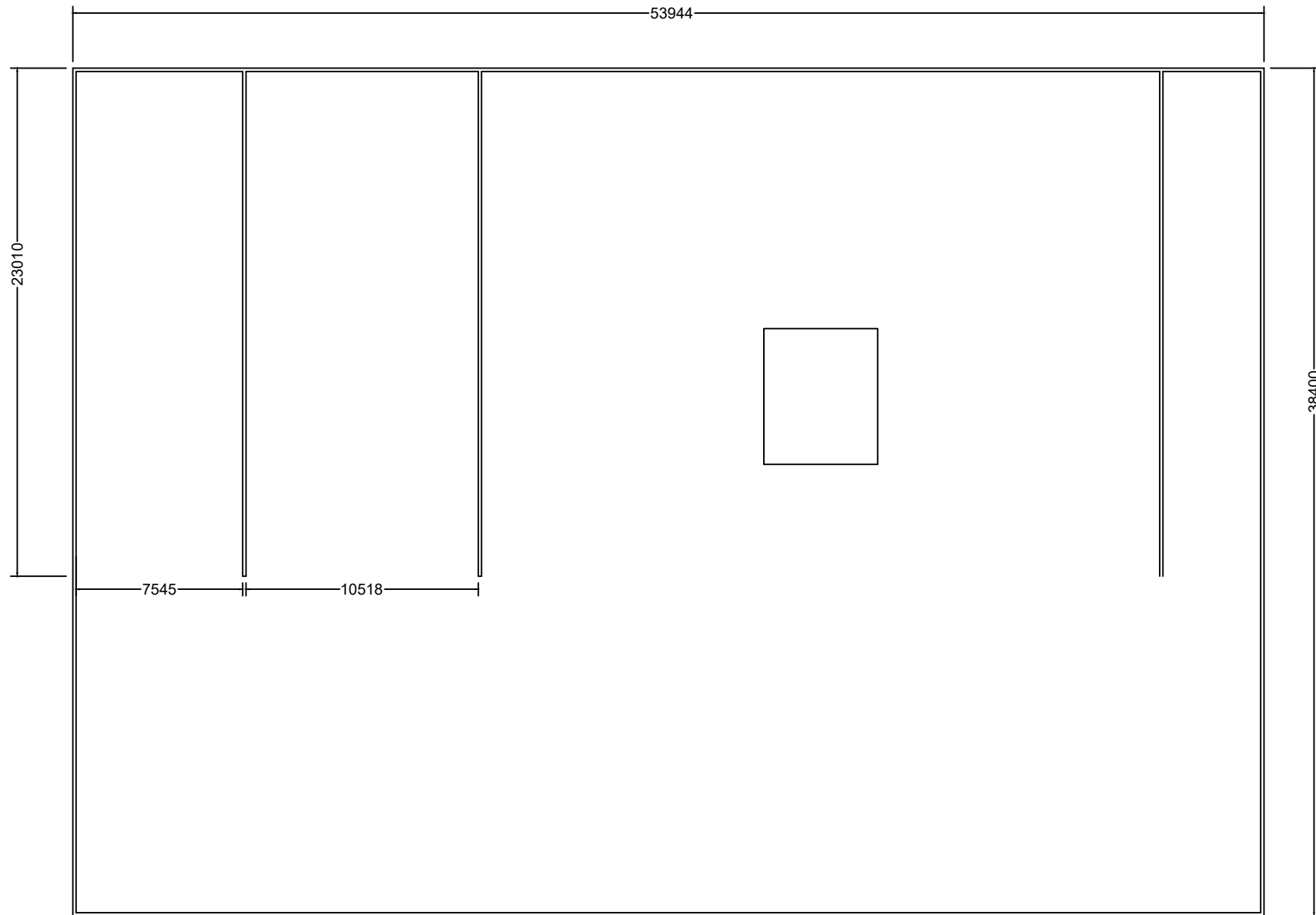
PROJECT:

**CONSTRUCTION OF  
AN ISLAND WASTE MANAGEMENT CENTRE  
GA. VILLINGILI**

PREPARED BY:

**WASTE MANAGEMENT AND POLLUTION CONTROL DEPARTMENT**  
MINISTRY OF ENVIRONMENT AND ENERGY

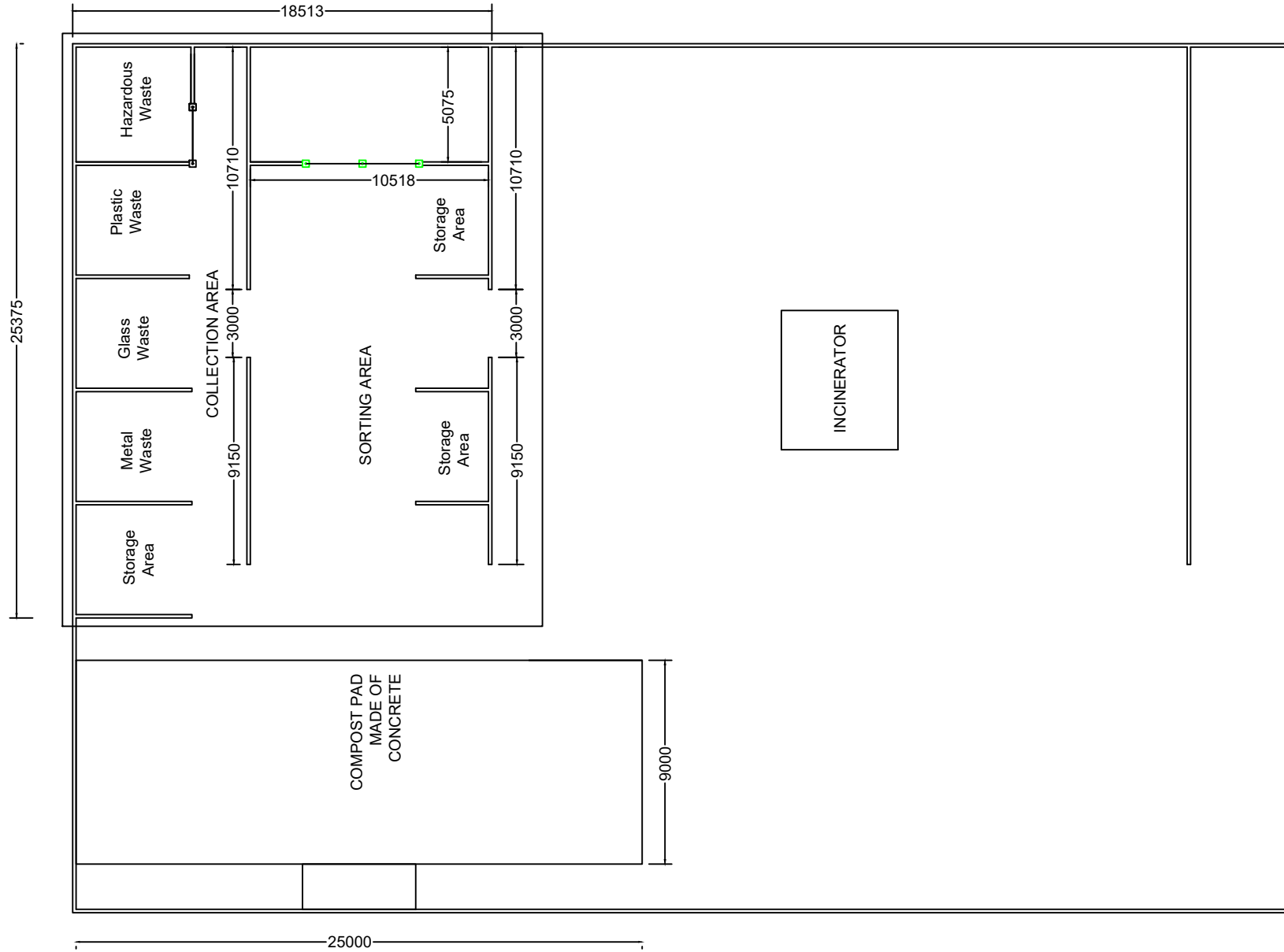
June 2017

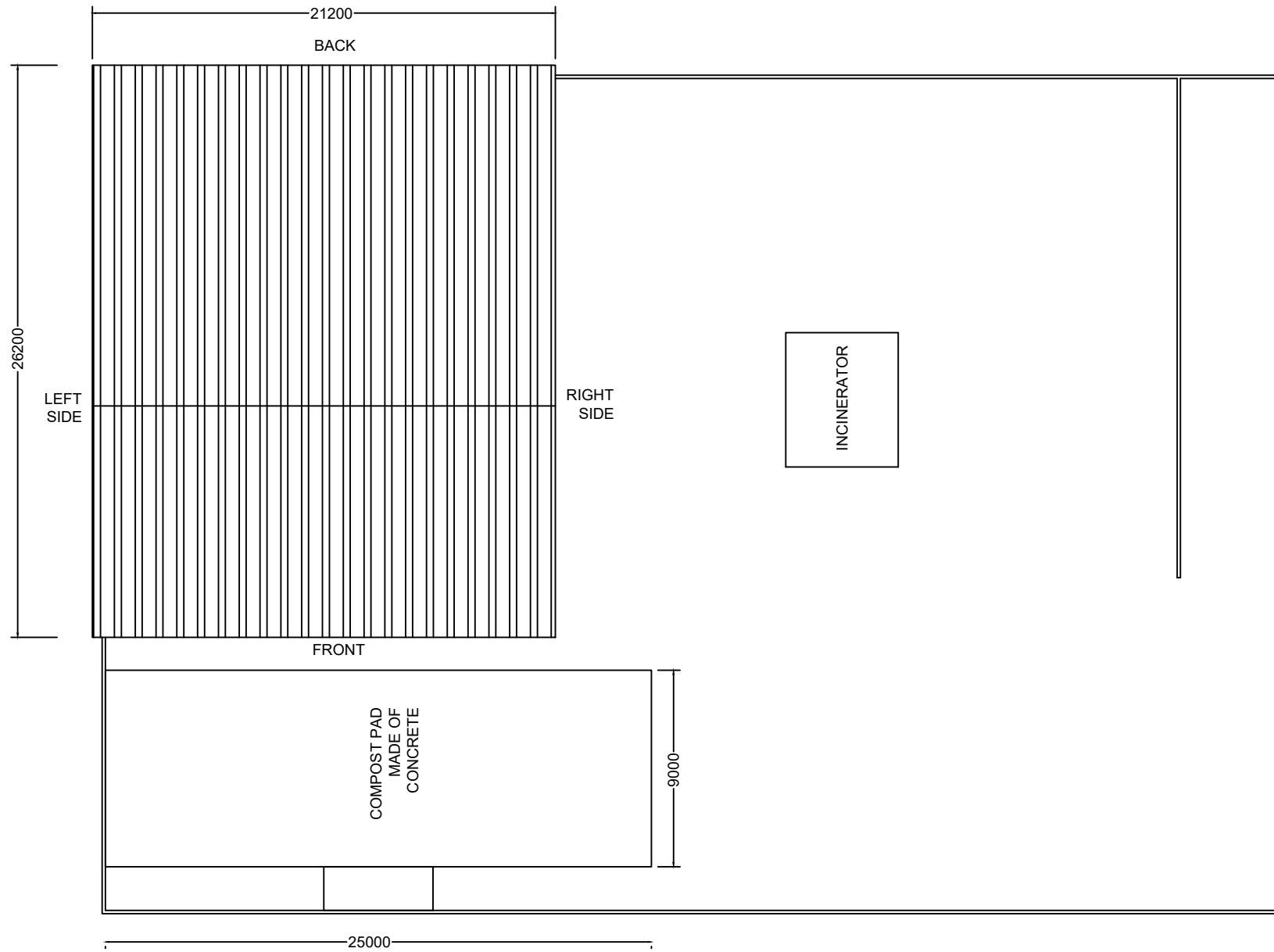


# EXISTING SITE LAYOUT



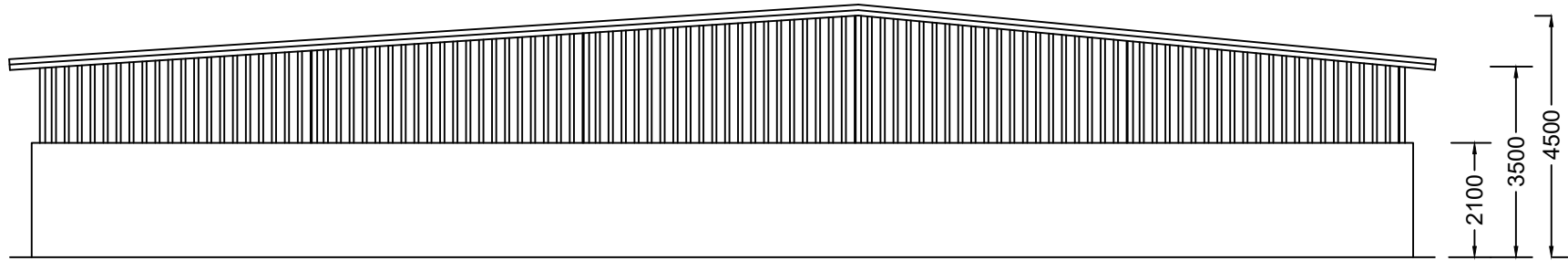
# PROPOSED SITE LAYOUT



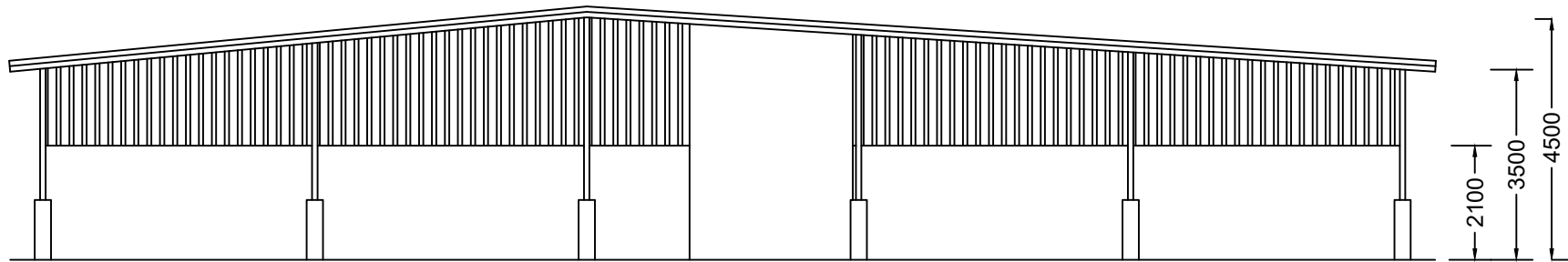


# COLLECTION BAY - PLANS

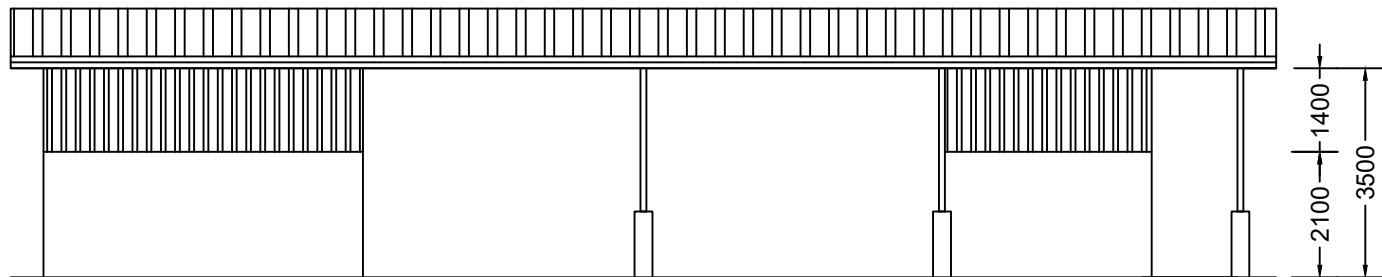




LEFT SIDE ELEVATION



RIGHT SIDE ELEVATION

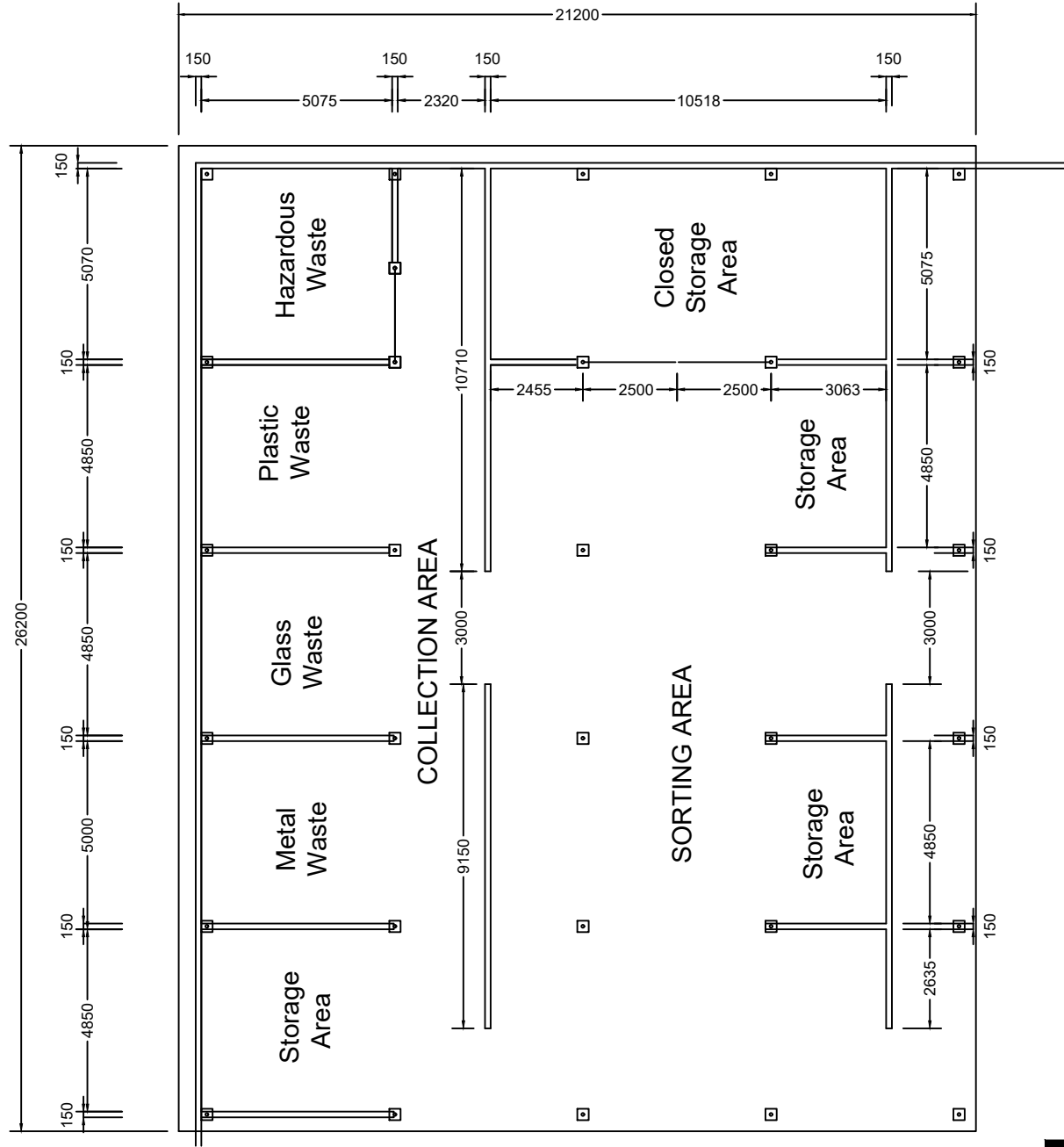


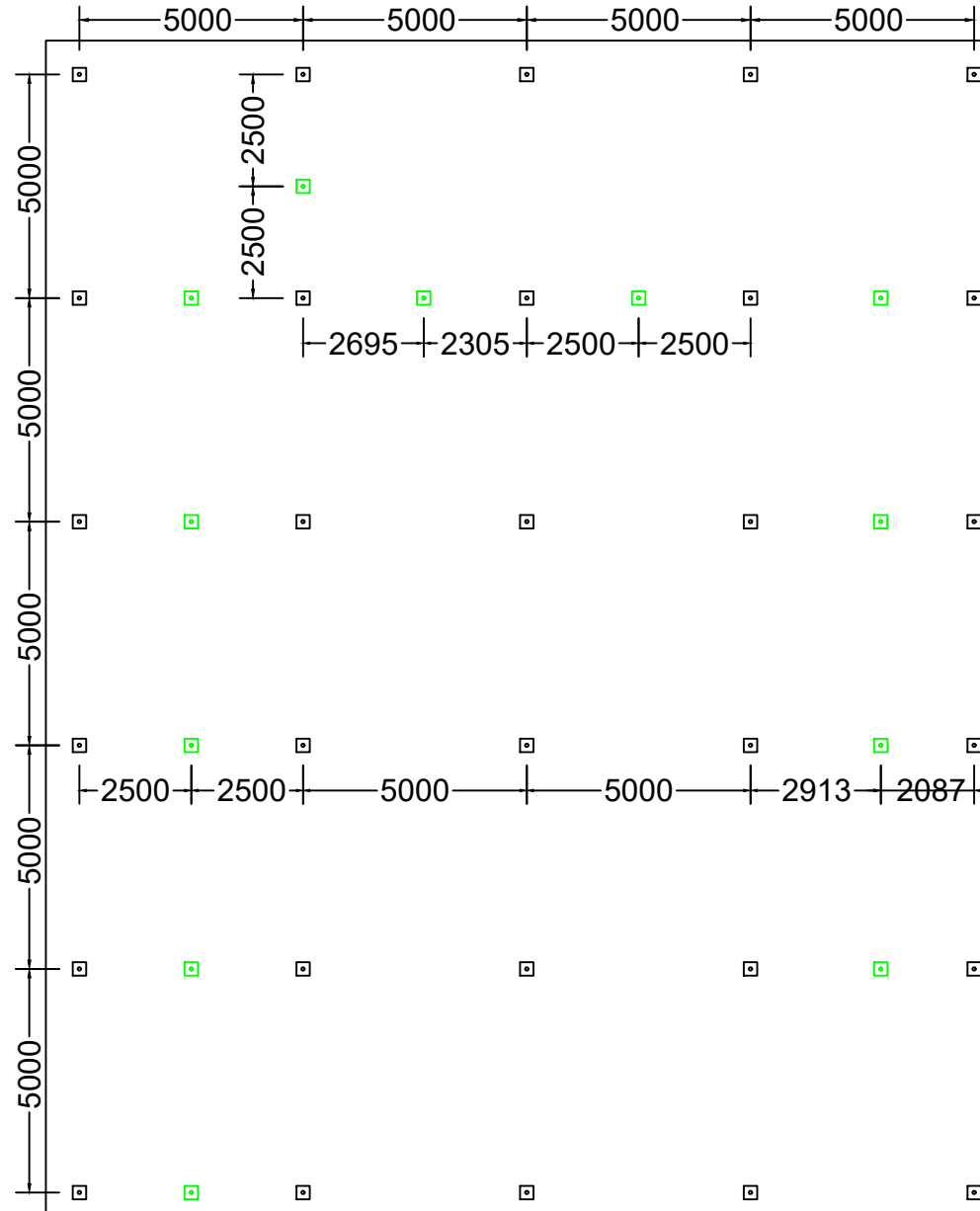
FRONT ELEVATION

ELEVATIONS



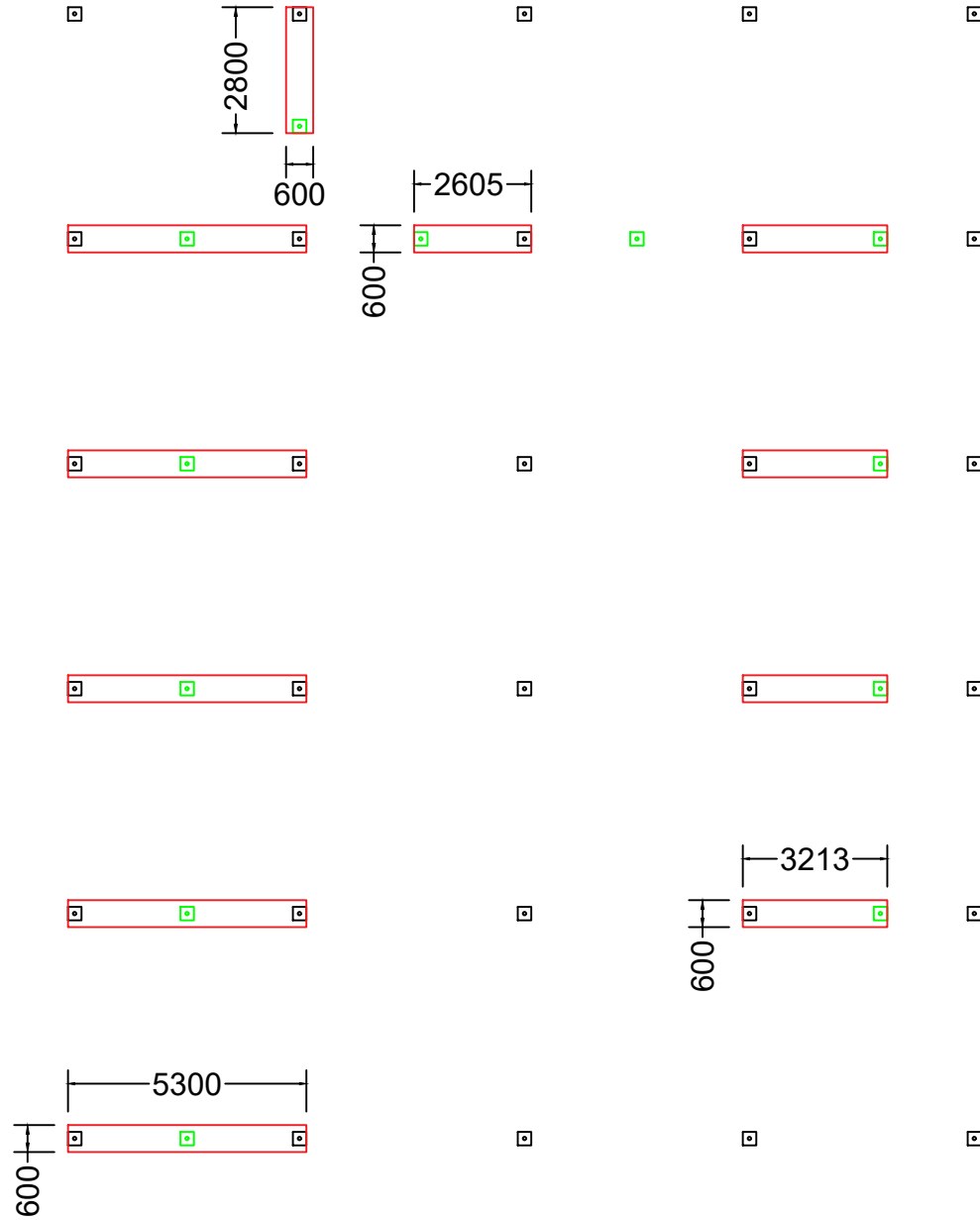
# FLOOR PLAN





# FOUNDATION PLAN - COLUMNS

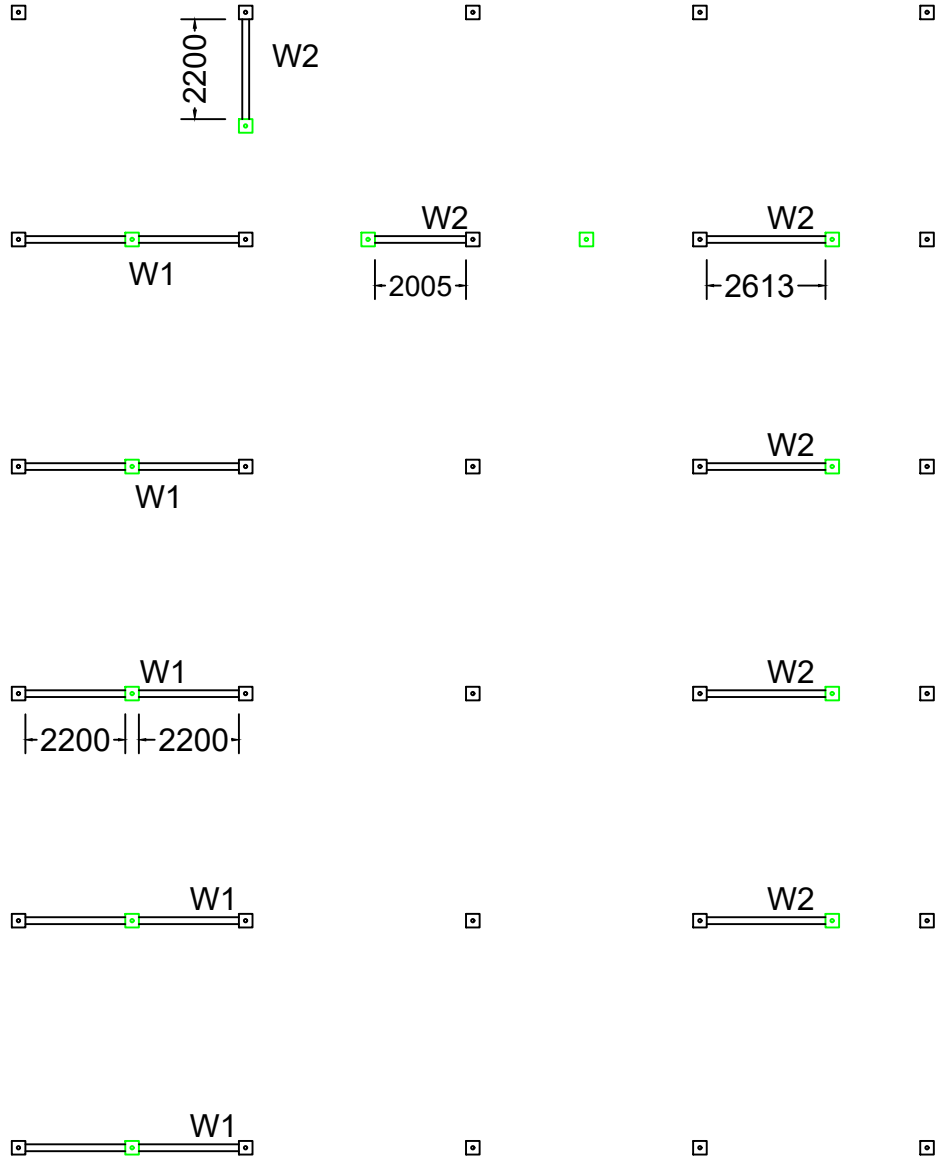




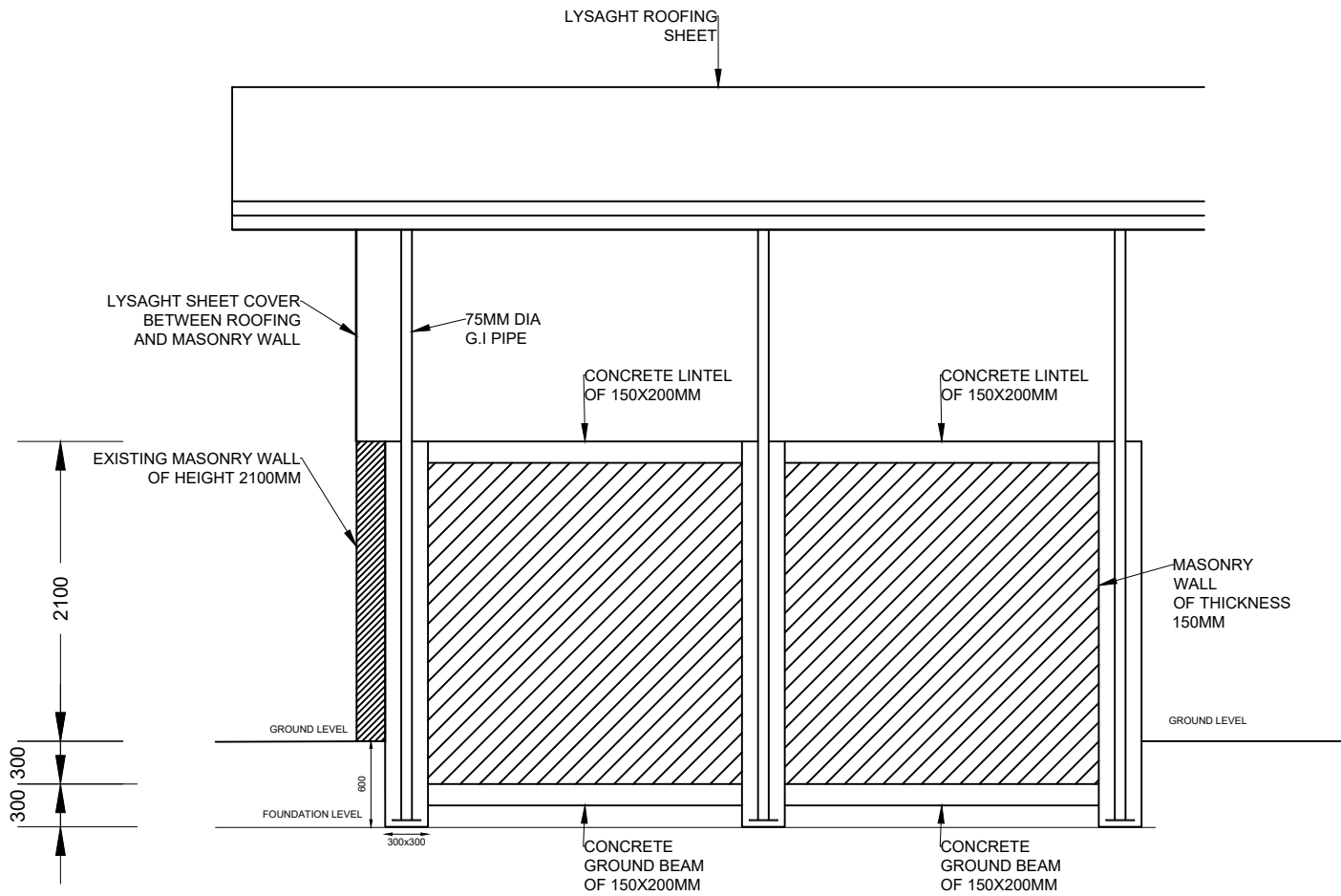
# FOUNDATION PLAN - GROUND BEAMS



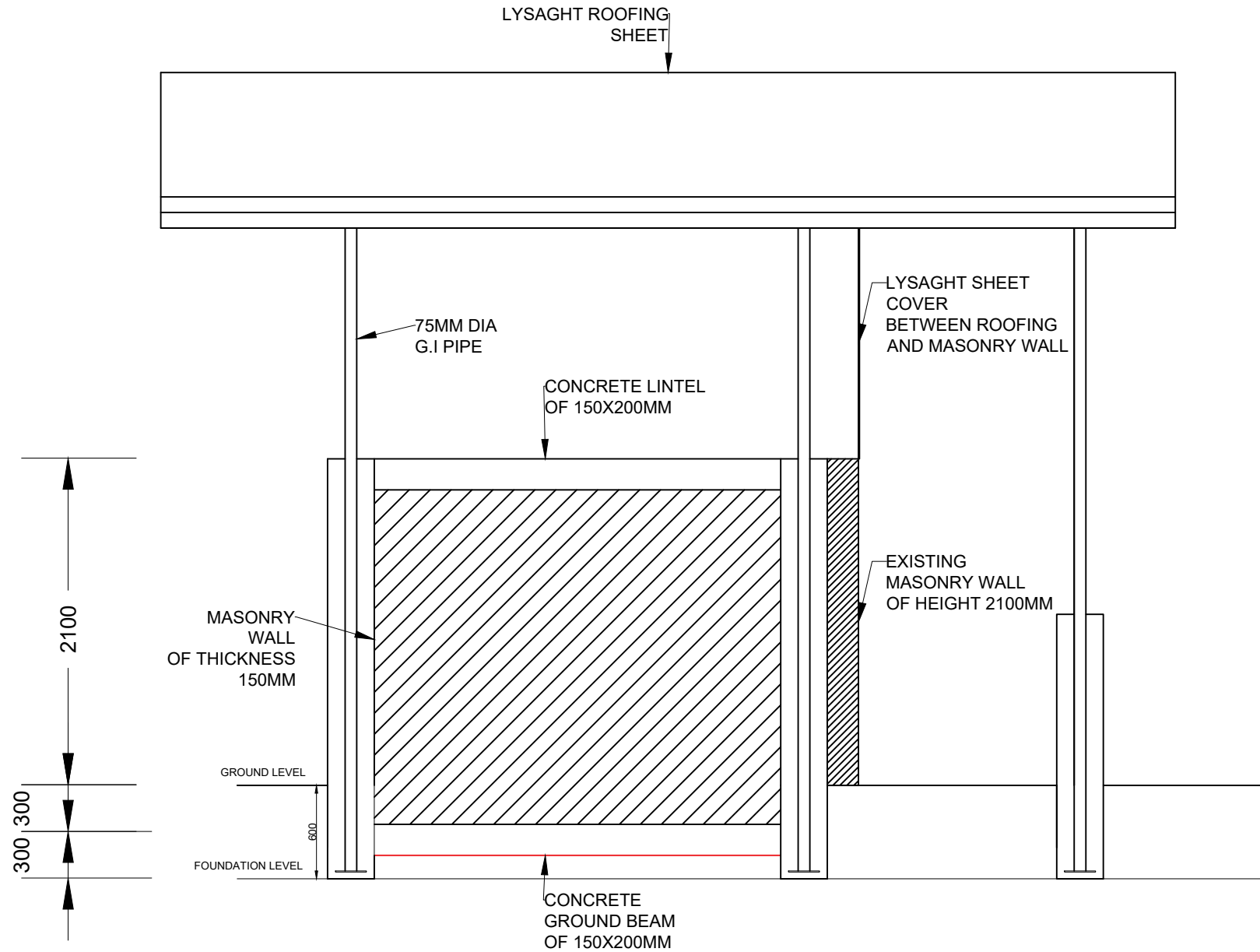




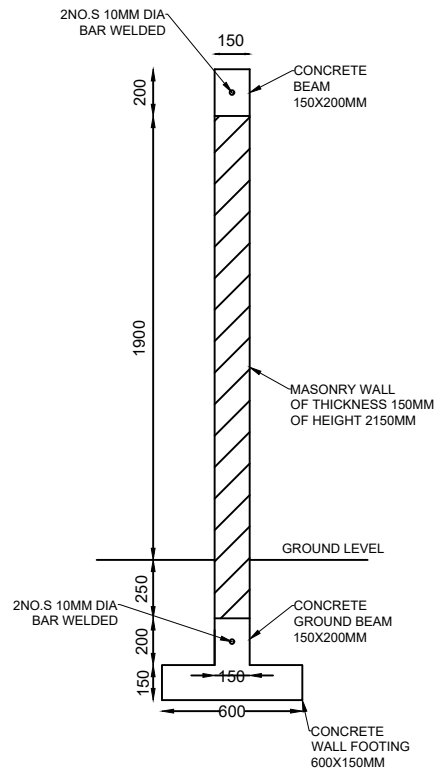
# MASONRY WALL DETAILS



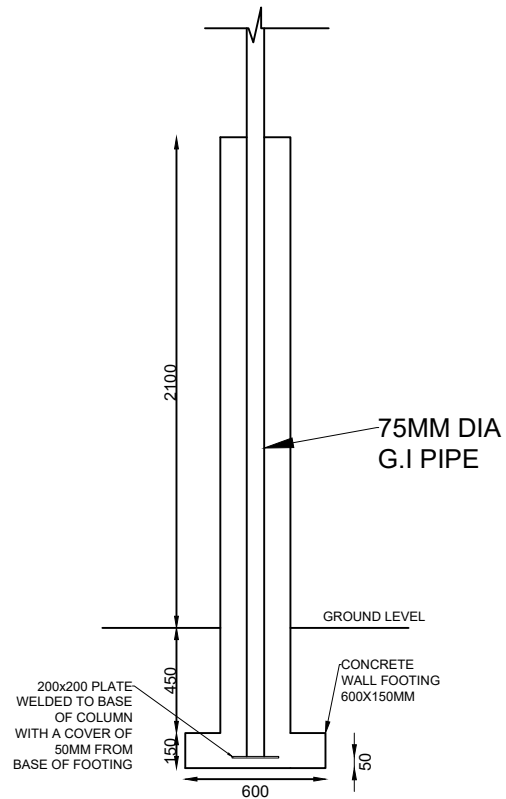
W1 DETAILS



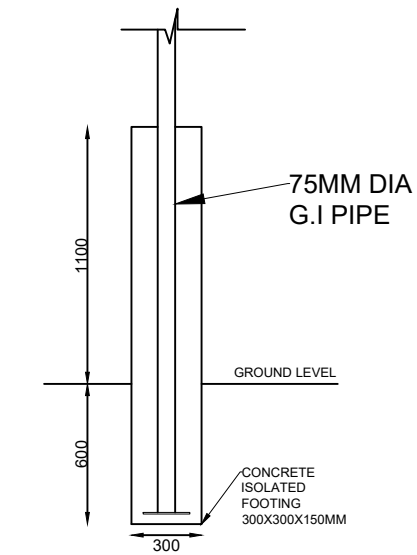
W2 DETAILS



BEAMS AND WALL FOOTING DETAILS

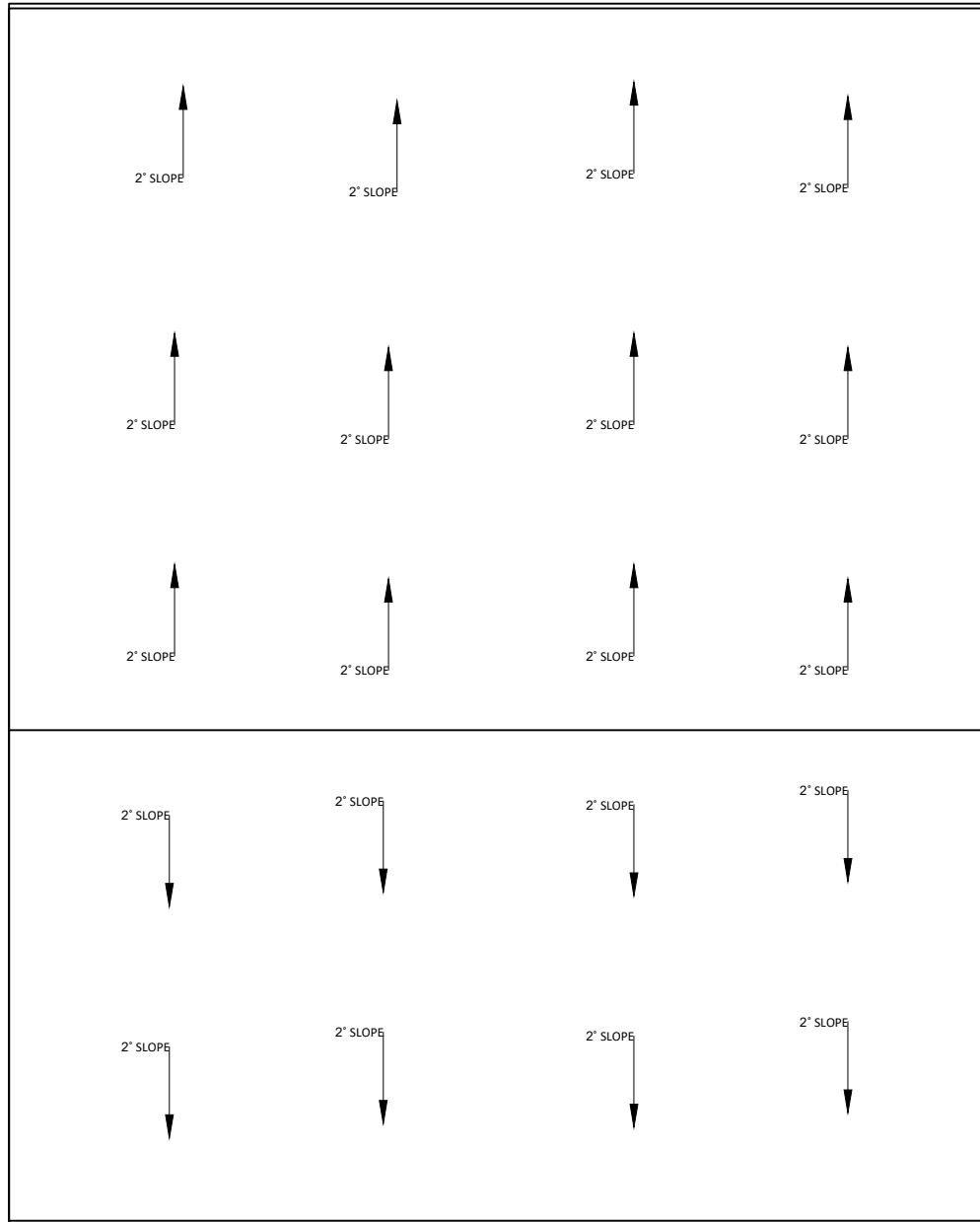


WALL COLUMN DETAILS



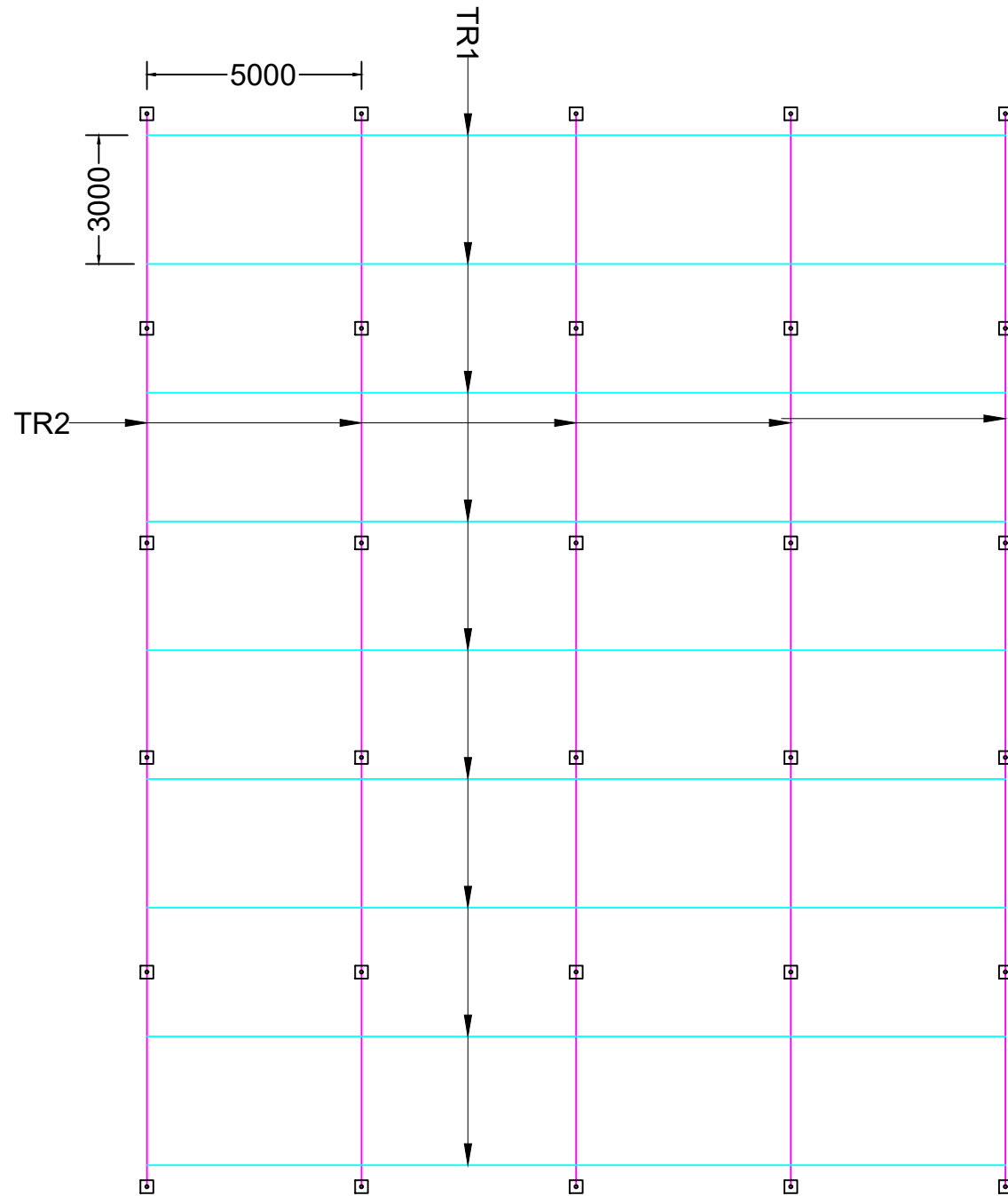
ISOLATED COLUMN DETAILS

## WALLS AND COLUMNS DETAILS

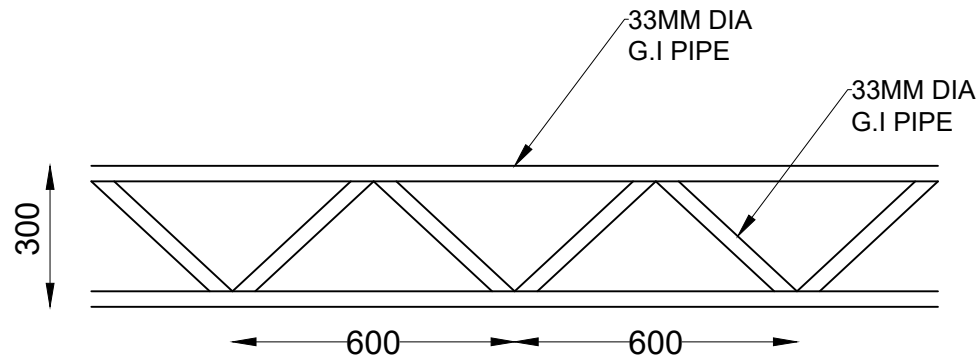


# ROOF SLOPE





ROOF FRAMING PLAN

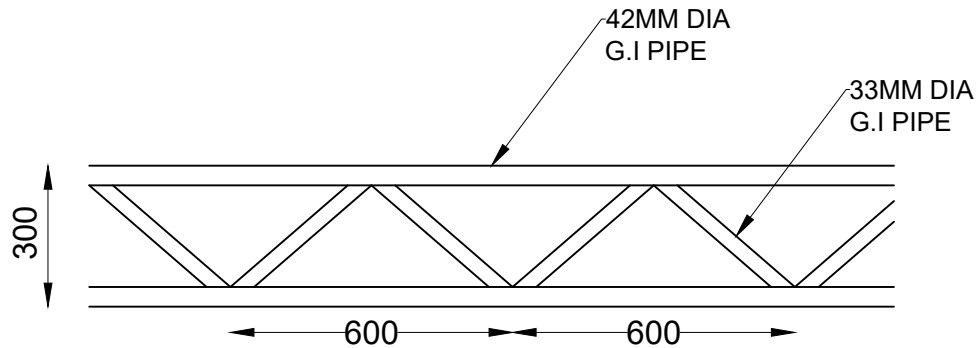


TR1 TRUSS

\*Provide TR1 TRUSS @3m c/c

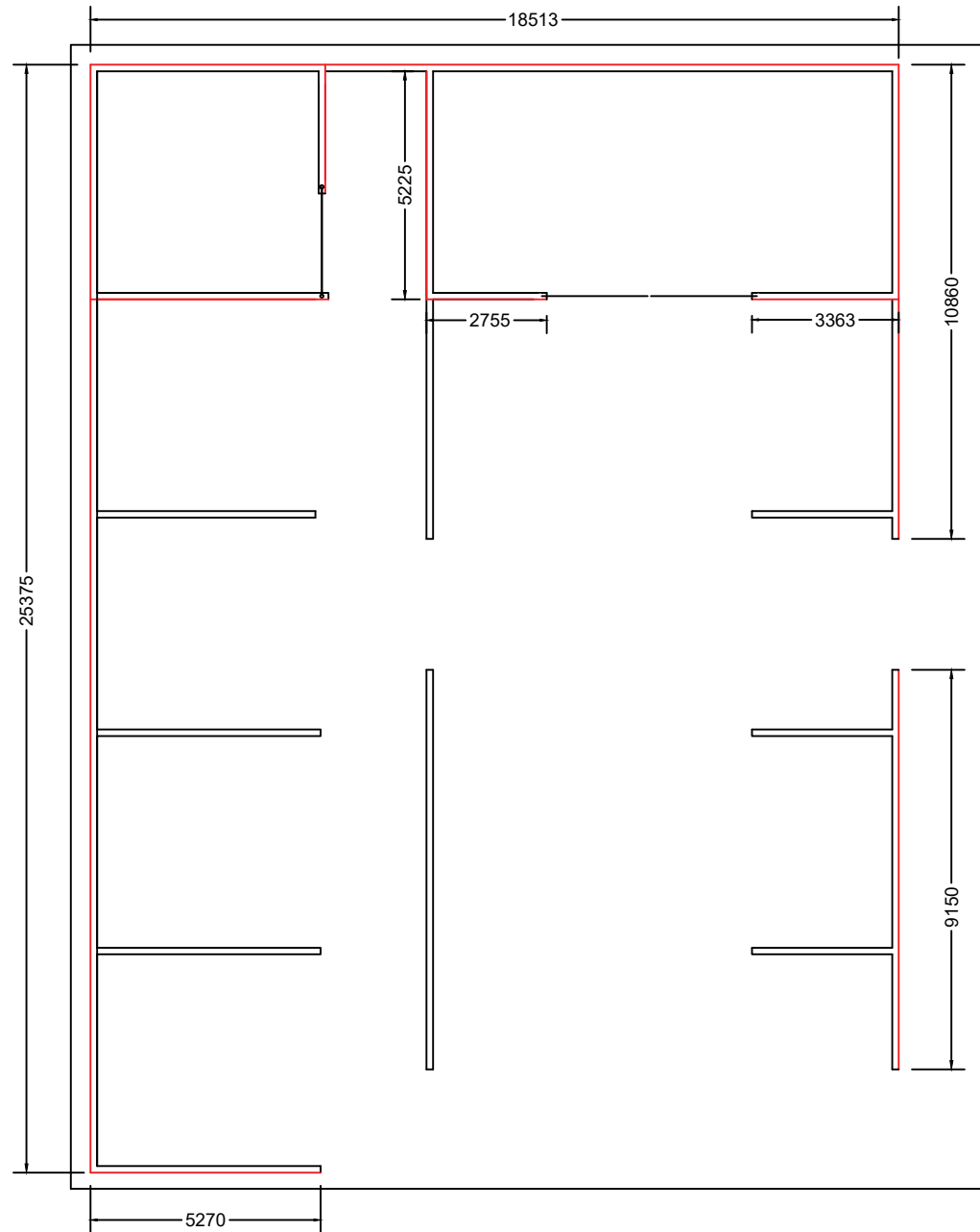
\*Provide 38mm Dia G.I Pipe @ 2m c/c over truss as rafters

\*Provide 25mm Dia G.I Pipe @ 1m c/c over rafters as purlins



TR2 TRUSS

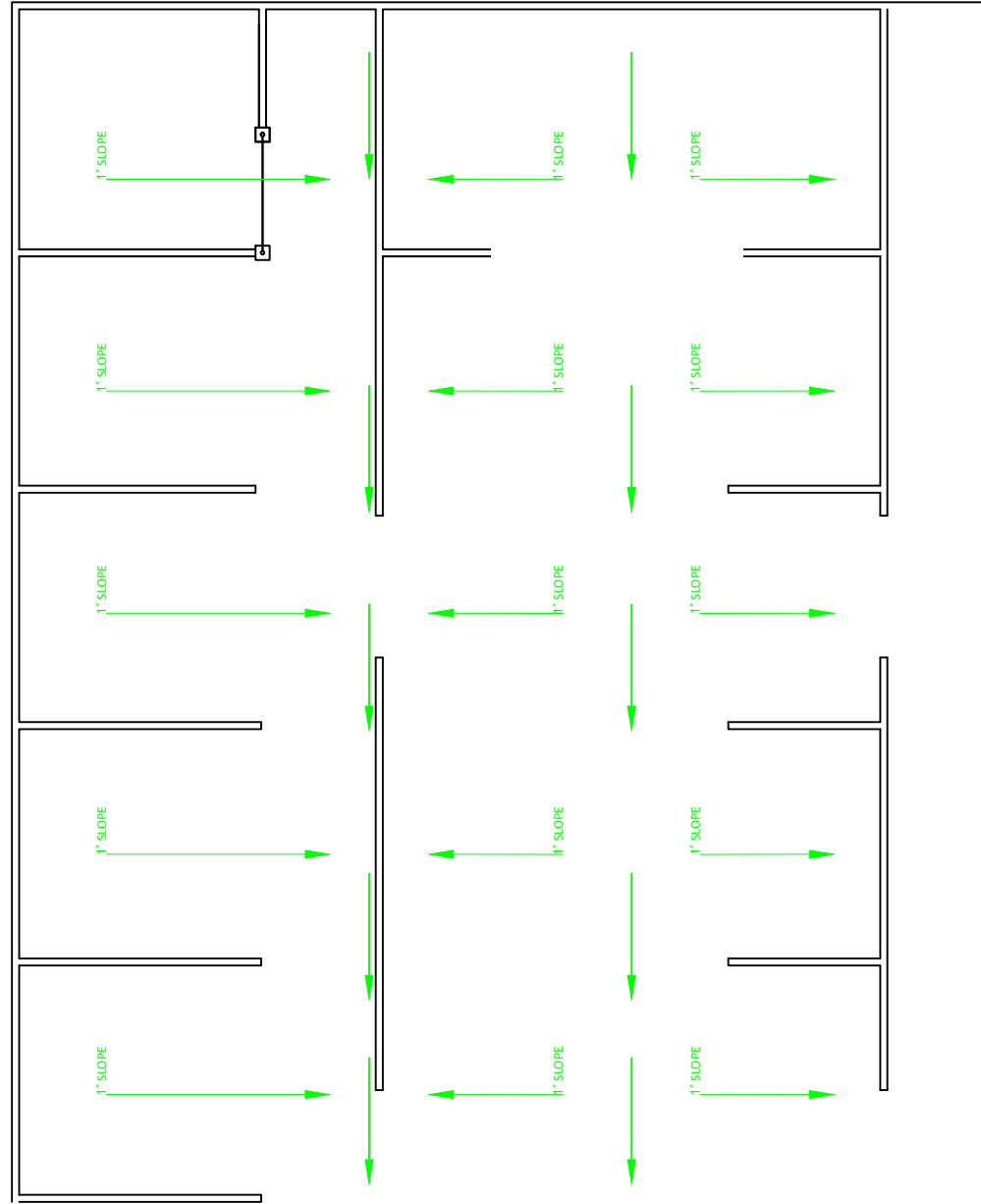
ROOF FRAMING PLAN



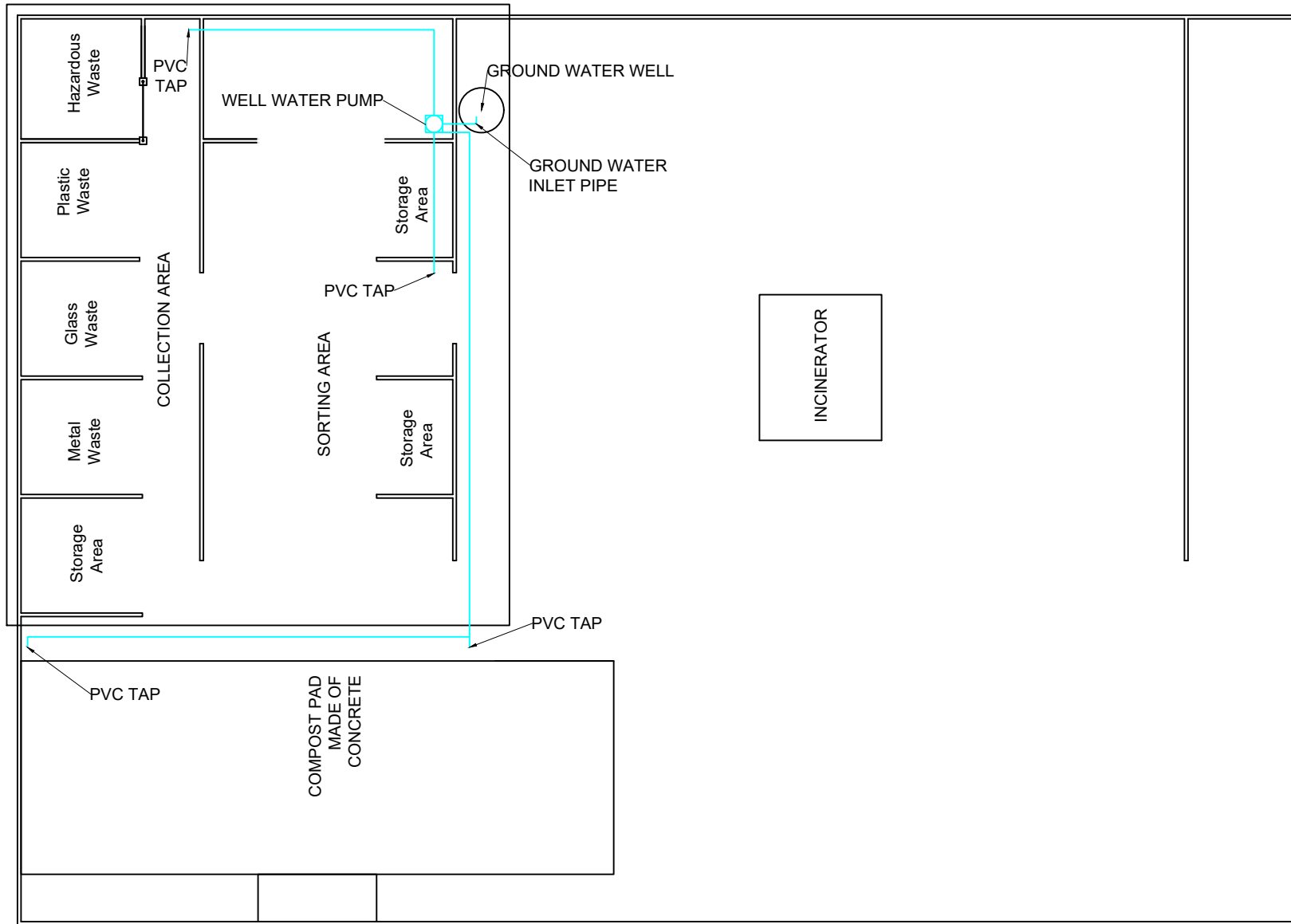
# LYSAGHT COVER BETWEEN ROOF AND WALLS



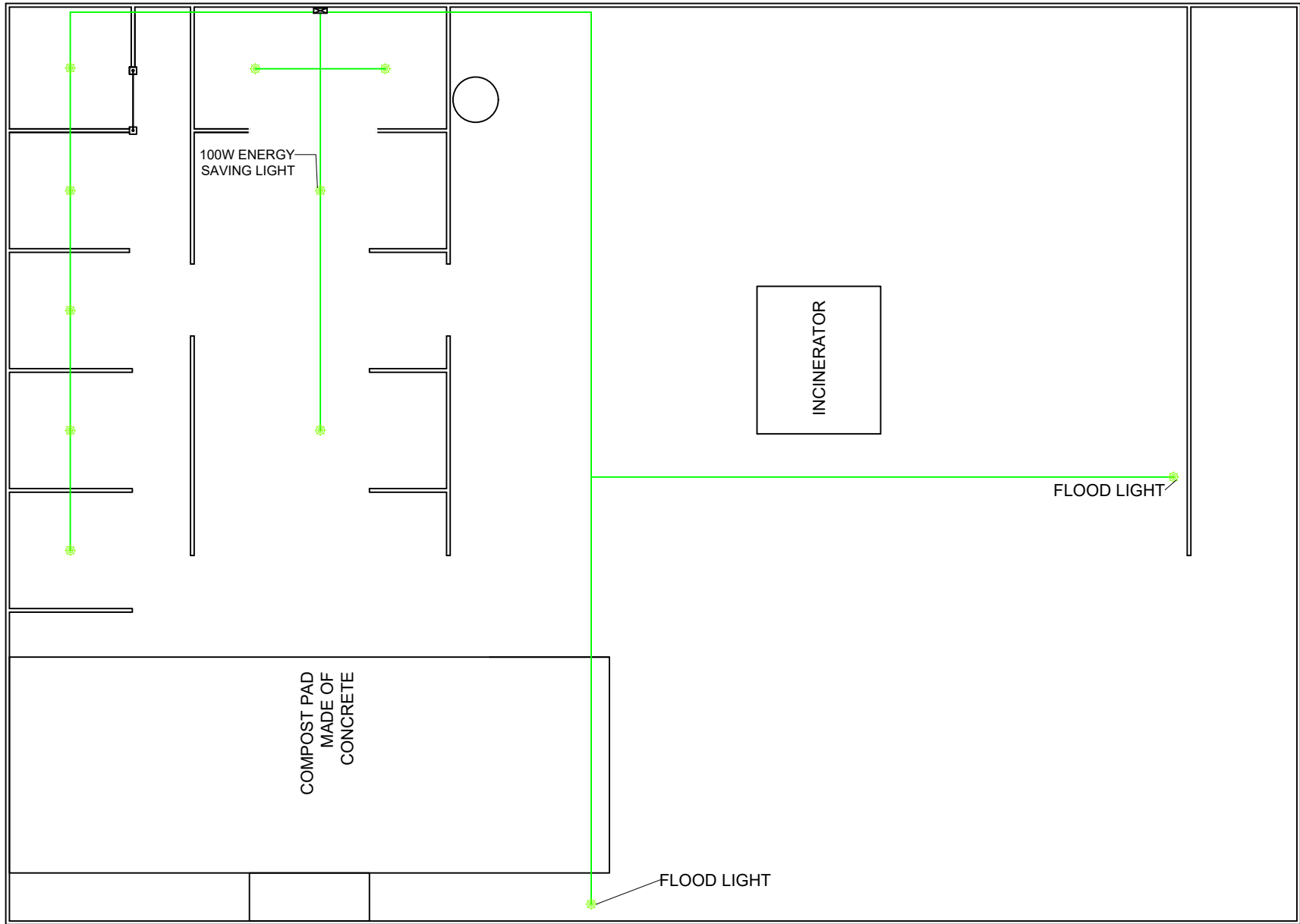




# FLOOR AREA SLOPE AND EXPANSION JOINTS

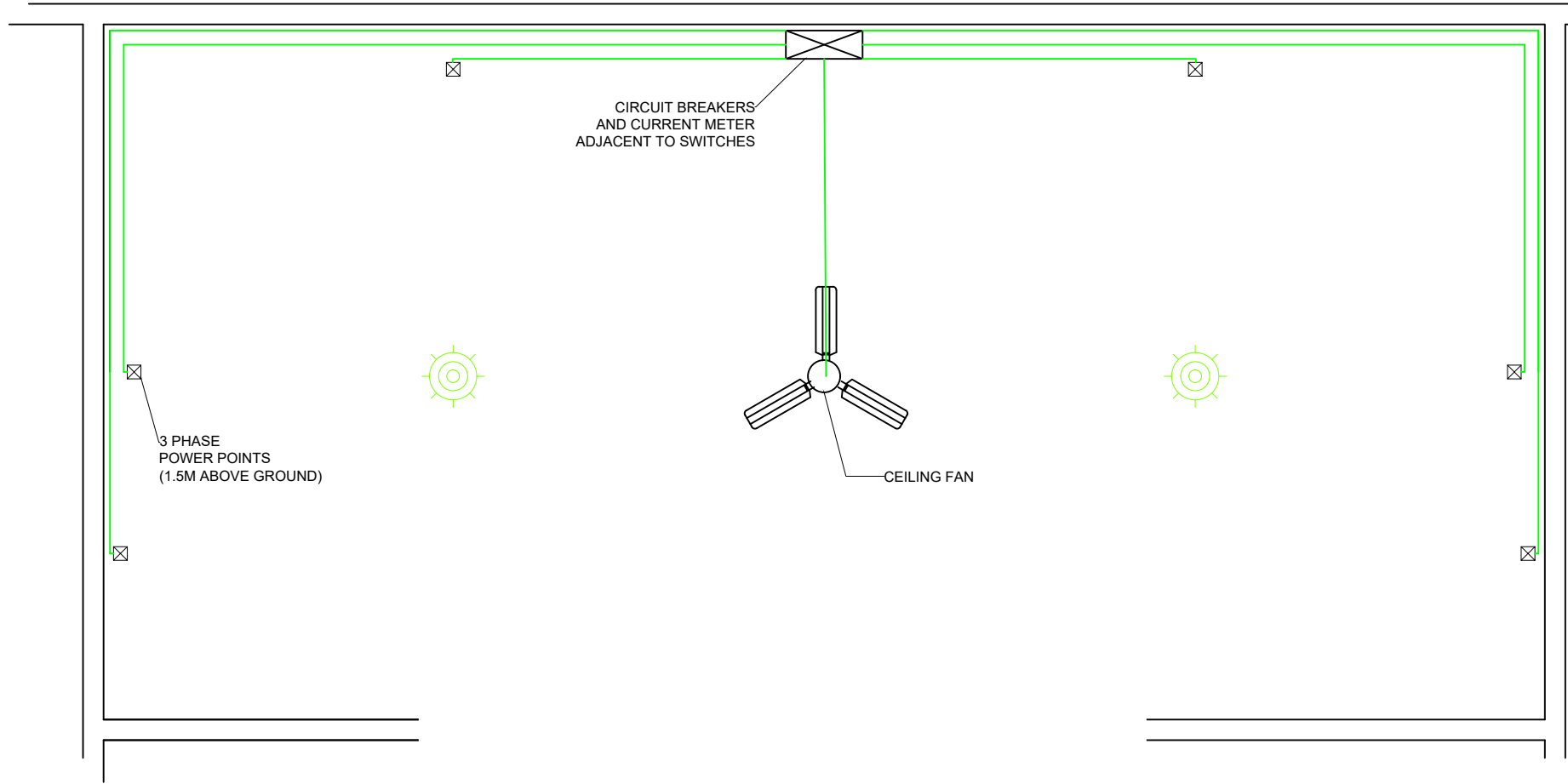


# PLUMBING DETAILS



# ELECTRICAL LAYOUT - LIGHTS





CIRCUIT BREAKERS  
AND CURRENT METER  
ADJACENT TO SWITCHES

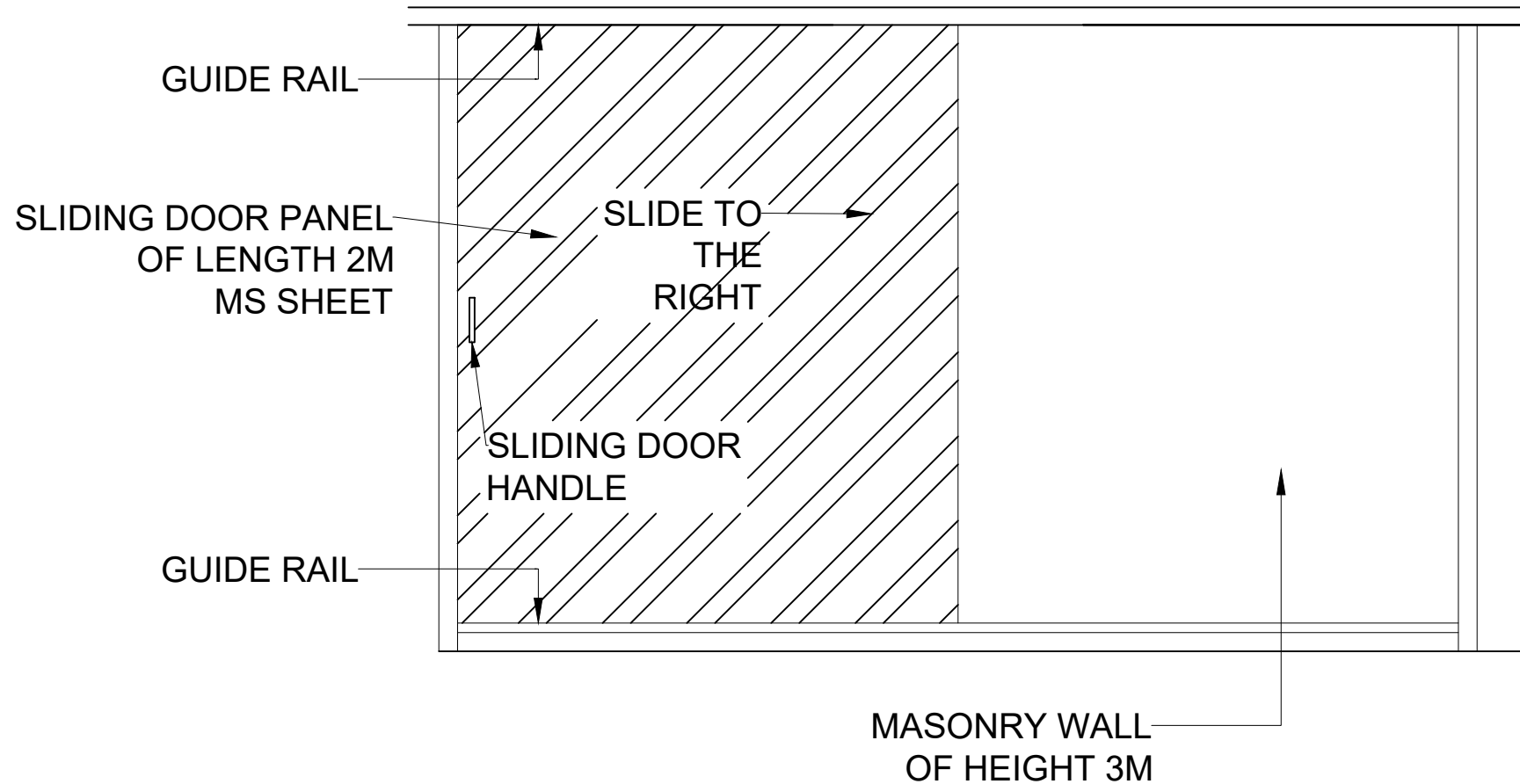
3 PHASE  
POWER POINTS  
(1.5M ABOVE GROUND)

CEILING FAN

# ELECTRICAL LAYOUT - EQUIPMENT ROOM

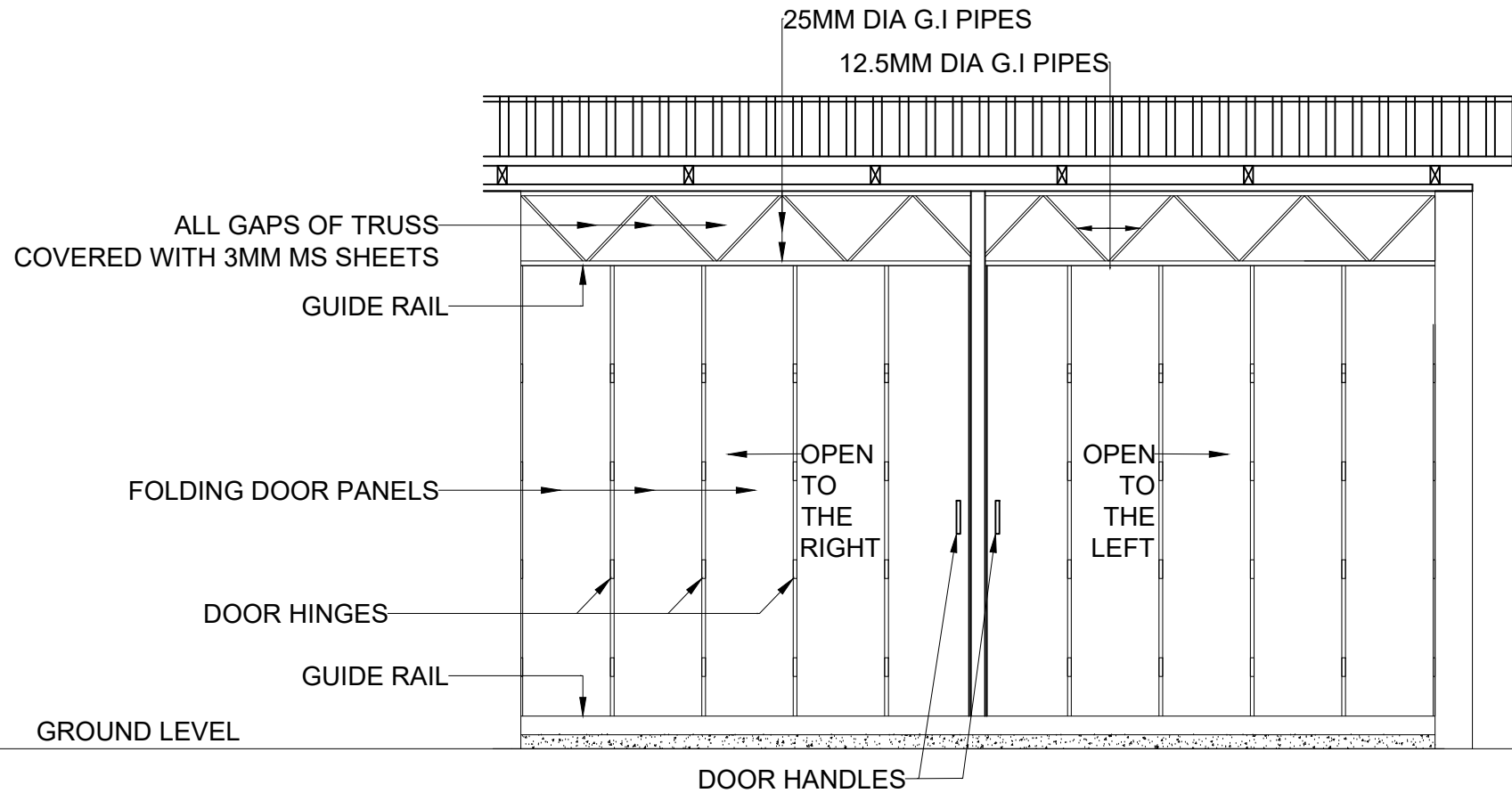


WMPC DEPARTMENT  
MINISTRY OF ENVIRONMENT AND ENERGY  
GREEN BUILDING, HANOHUWREE HINGUN,  
MAAFANNU, MALÉ (20392), REPUBLIC OF MALDIVES  
TEL:3018431, 3018300, FAX:328301



# HAZARDOUS WASTE ROOM SLIDING DOOR DETAILS

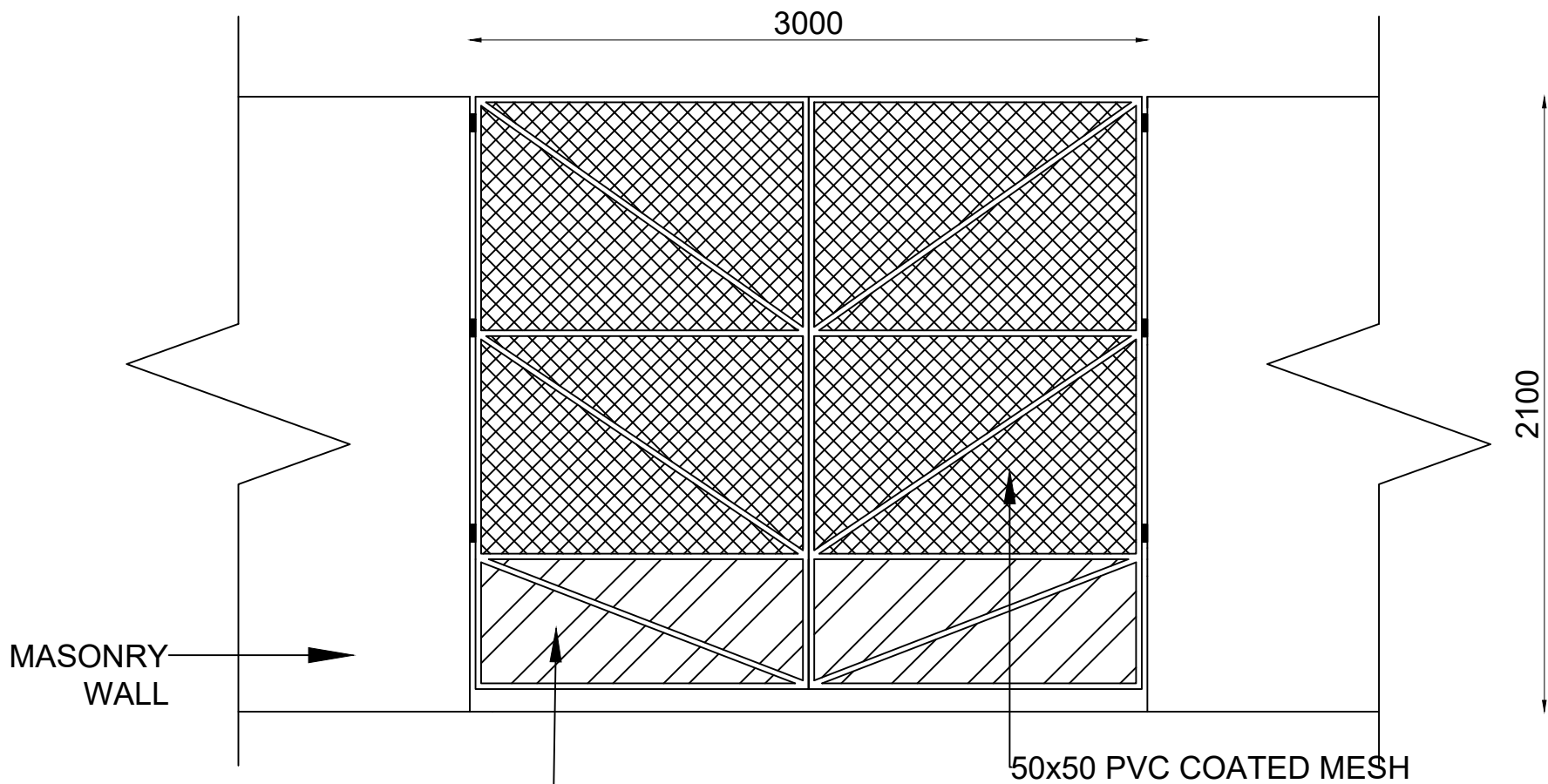




NOTE: ALL WELDS FOR TRUSS MEMBERS ARE 5MM FILLET WELDS

# EQUIPMENT ROOM FOLDING DOOR DETAILS





MASONRY WALL

3000

2100

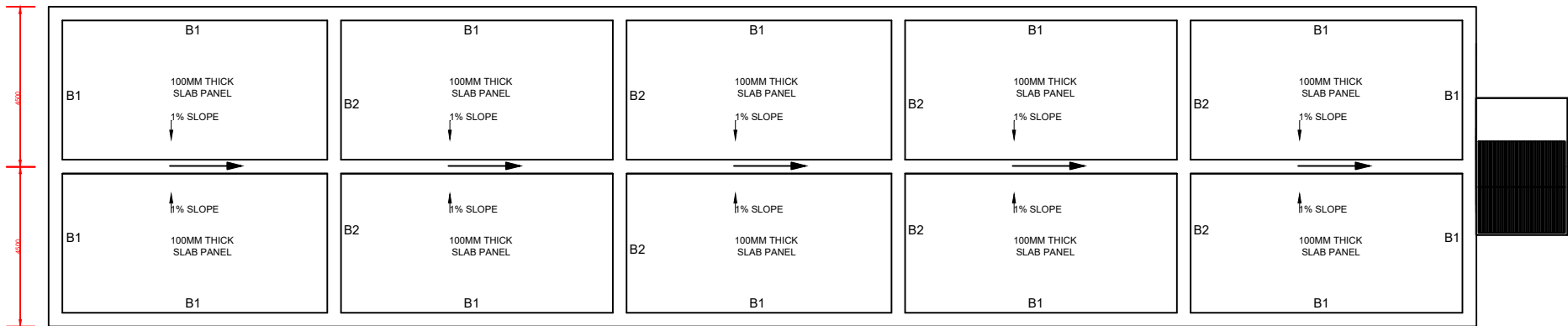
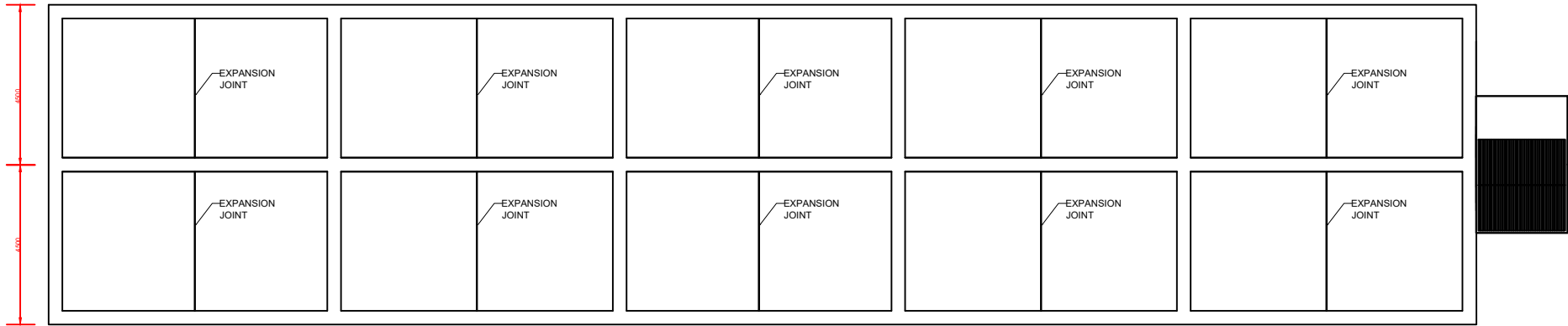
50x50 PVC COATED MESH

3MM MS SHEET  
COATED WITH PAINT

NOTE:  
 - DOOR IS MADE FROM 25MM DIA GI PIPE  
 - ALL WELDS ARE 5MM FILLET WELDS AROUND MEMBER

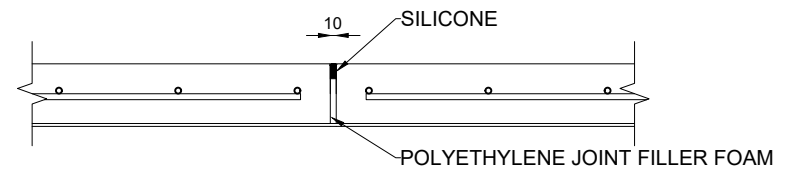
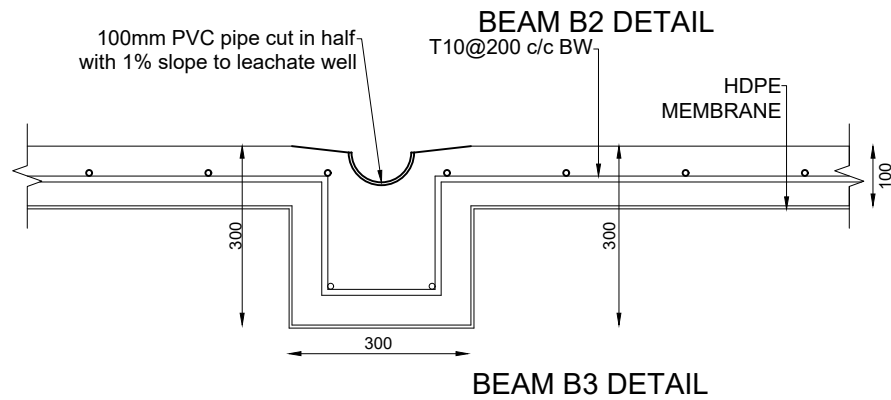
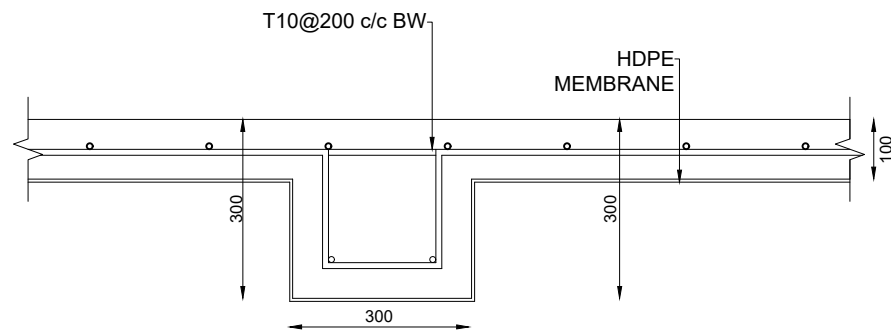
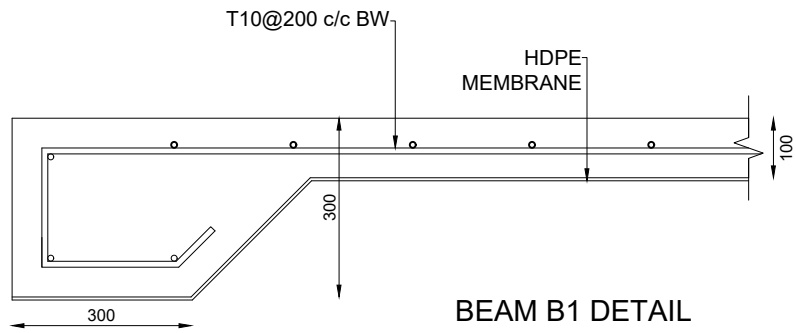
MAIN GATE





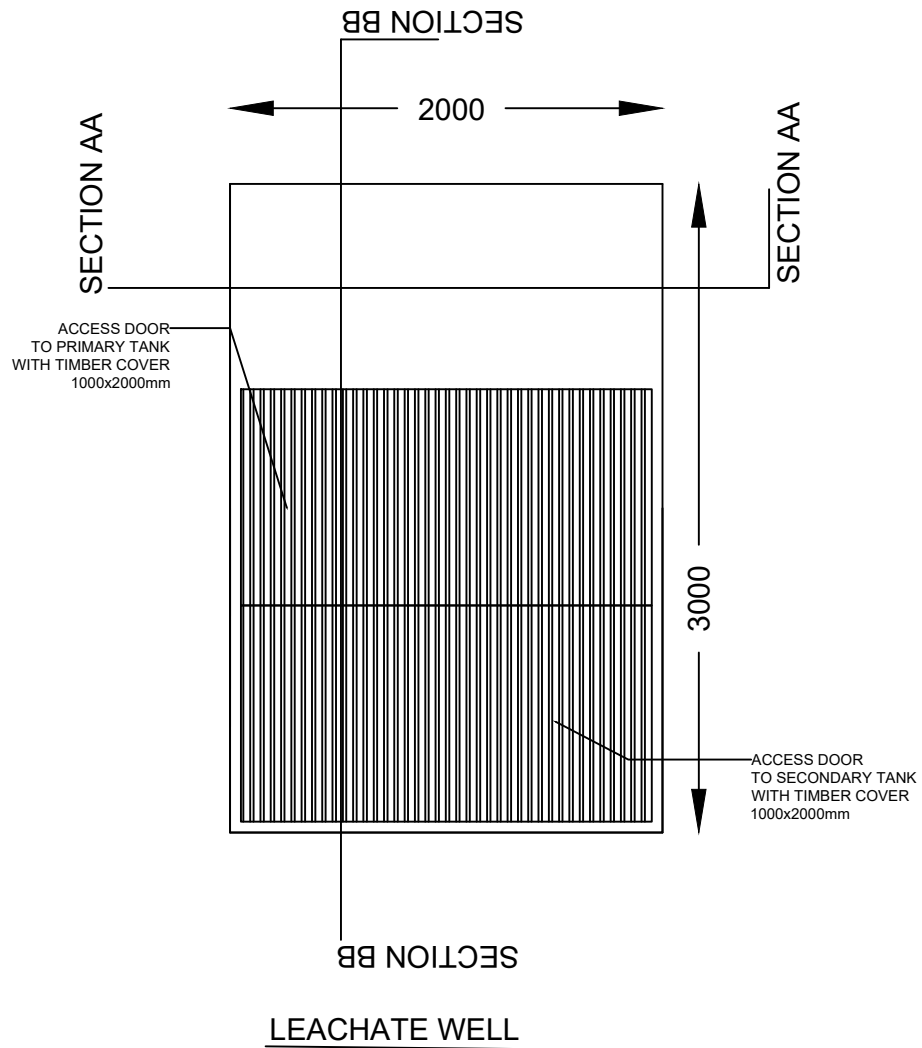
# COMPOST SLAB - JOINTS AND SPACINGS



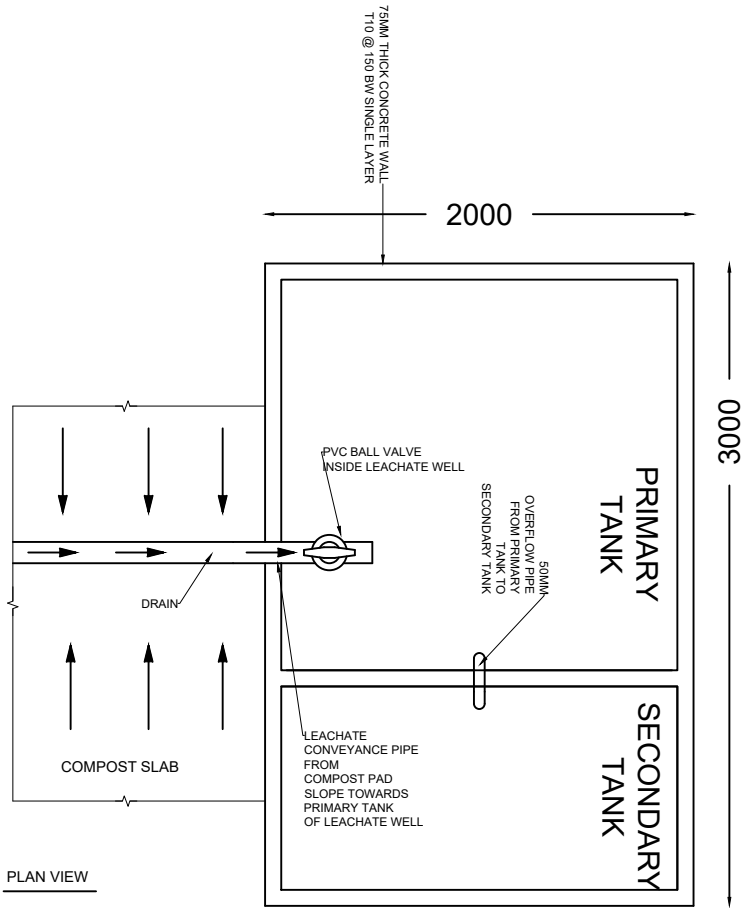


SLAB EXPANSION  
JOINT DETAIL

## COMPOST SLAB BEAM DETAILS

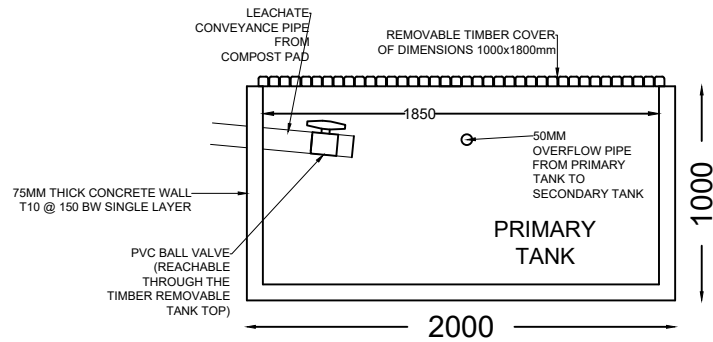


# LEACHATE COLLECTION TANK

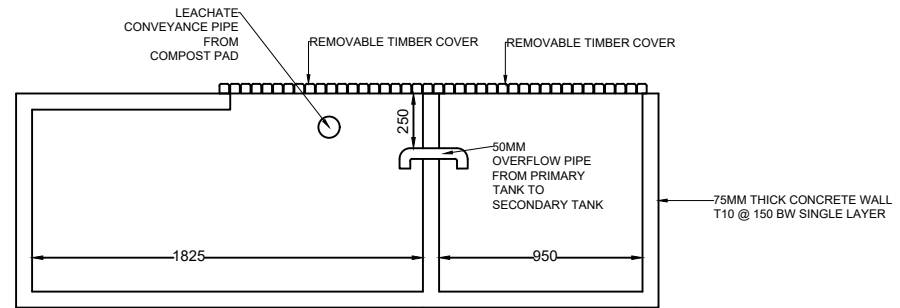


PLAN

LEACHATE WELL DETAILS



SECTION AA



SECTION BB

# LEACHATE COLLECTION TANK - DETAILS