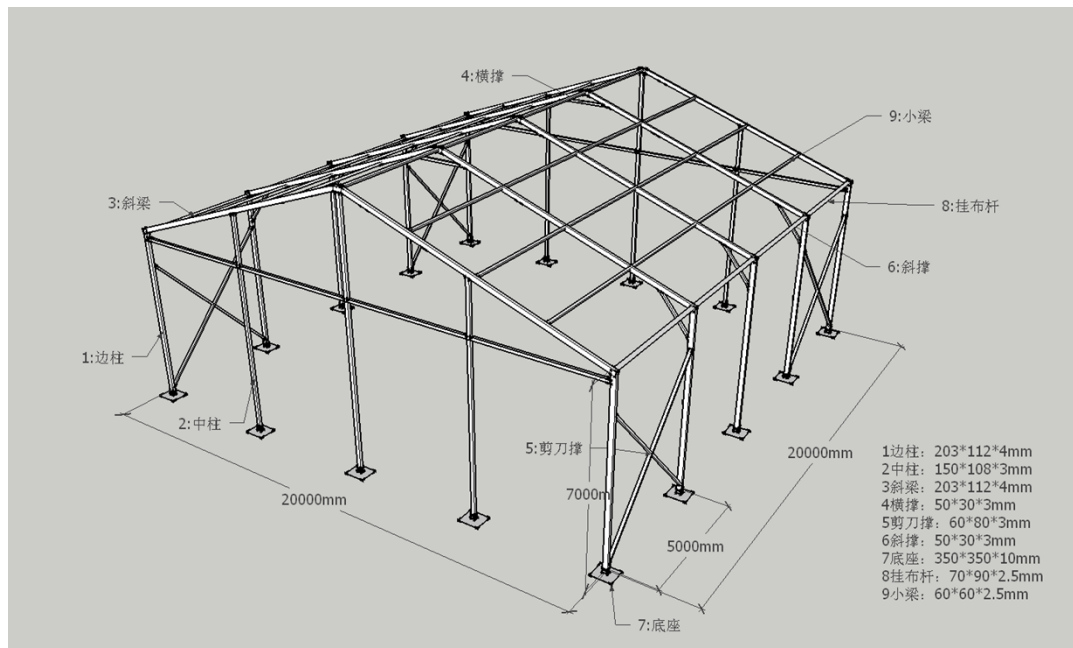
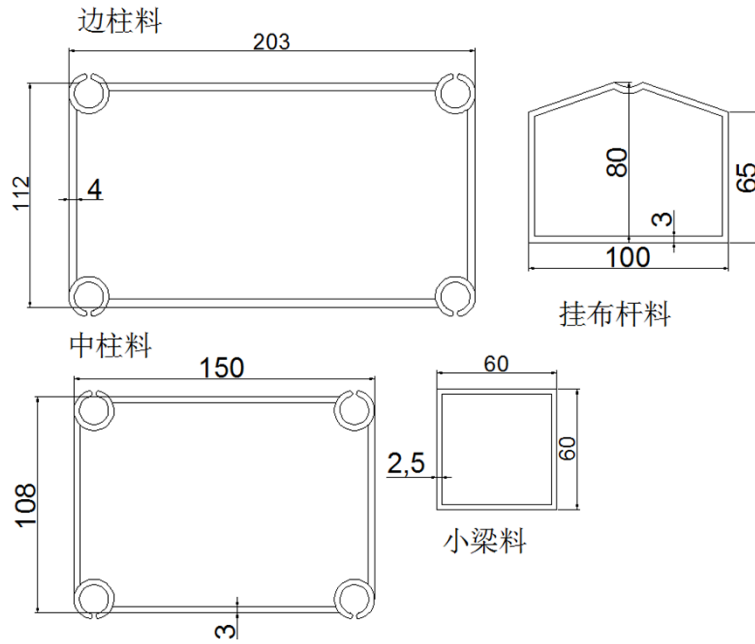


Description	Technical Specification required including applicable standards
Occupancy	400 square meter
Style	A shape ridge tent
Size of tent	20M*20M
Total Quantity	2 sets
Bay distance	5 meter
Ridge height	10meters
Eave height	7 meter
Main profile	203*112*4mm
Frame	Flexible poles with hard pressed aluminum alloy
Connection and foot plates	Galvanizing steel
Fabric side flap	Polyester with PVC coated on both sides with 850G\Sqm in anti aging water proof,UV resistant and flame retardant,side wall 650G\Sqm
Roof fixing	Tension bar
Ground Situation	Grass land, earth asphalt surface,cement surface
Color	White
Fixing material	Expansion bolts Screws 60CM length, 2CM diameter
Accessories	Storage bags made of material similar to roof cover Stronger All the tools necessary for fixing and installation





- 1.Up right:203*112*4MM
- 2.Gable pole:150*108*3MM
- 3.Roof beam:203*112*4MM
- 4.Eave purlin:50*30*3MM
- 5.Cross bar:60*80*3MM
- 6.Bracing bar:50*30*3MM
- 7.Base plate:350*350*10MM
- 8.Curtain purlin:70*90*2.5MM

9. Intermediate purlin: 60*60*2.5MM