

WIND DIRECTION INDICATOR





Wind Direction Indicator

WDI

DOC 1603.E

Revision 3.0 01/01/08

Utilisation

- Wind Direction Indicator

Compliance with Standards

- ICAO : Annex 14 Volume I
Paragraph 5.1.1
- French STAC



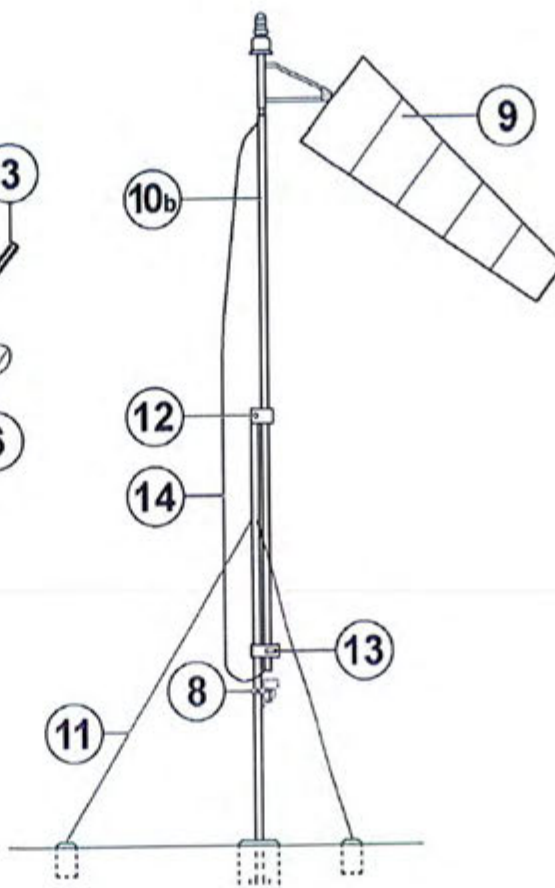
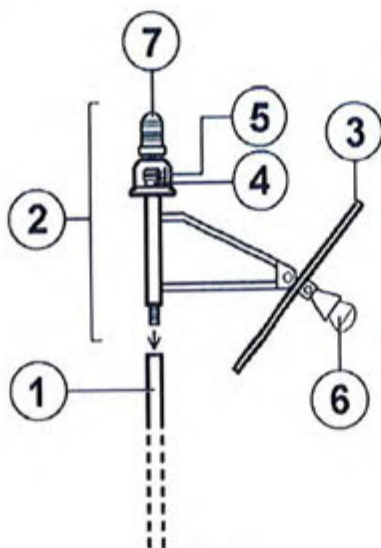
WDI Wind Direction Indicator

Main advantages

- Stayed and Non Stayed version.
- Long life of the Sock made in long lasting synthetic textile.
- The wind sock can be (as an option) internally illuminated.
 - Low power consumption : Lower than 150 Watts.
 - Lamp life greater than 4,000 hours.
 - Better luminance which is evenly distributed up to the extremity of the sock.
 - No loss of light which may cause disturbance.
 - Increased safety, as the entire unit forms an obstruction whose overall height is cut by 2 m owing to the elimination of the lighting holding devices.
- The wind sock can be (as an option) equipped on its top with a F2-1 obstruction light.
 - Low power consumption : lower than 55 Watts.
 - Lamp life greater than 8,000 hours.
- Power Supply : Standard 230 Vac 50 / 60 Hz or (on Request) 6,6 Amp for supply through series circuit.
- Easy Maintenance. The tilt mast support of the WDI give easy access to the Sock and to the Lamps.
 - High speed replacement of the Sock.
 - High speed replacement of the Lighting lamp.
 - High speed replacement of the Obstruction lamp.

Design

- 1) Galvanised Steel Mast
- 2) Vane Mounted on Ball Joints
- 3) Rocker of the Sock
- 4) Lighting Power Supply Collectors
- 5) Cover of Lighting Power Supply Collectors
- 6) Sock Lighting Floodlight with PAR 38, 150 Watts / 230 Volts Lamp
PAR 38, 45 Watts / 6.6 Amps Lamp
- 7) Obstruction F2-1 Fitting (Option) with E27, 55 Watts / 230 Volts Lamp
Pk30d, 45 Watts / 6,6 A Lamp
- 8) Watertight Power Supply Switch (Option)
- 9) Sock made in Long Lasting Synthetic textile
- 10a) Non Stayed Tilt mast
- 10b) Stayed Tilt mast
- 11) Stays, shackles and stretchers (Stainless steel)
- 12) Articulation axis of the tilt section
- 13) Locking Key
- 14) Manoeuvring Sling

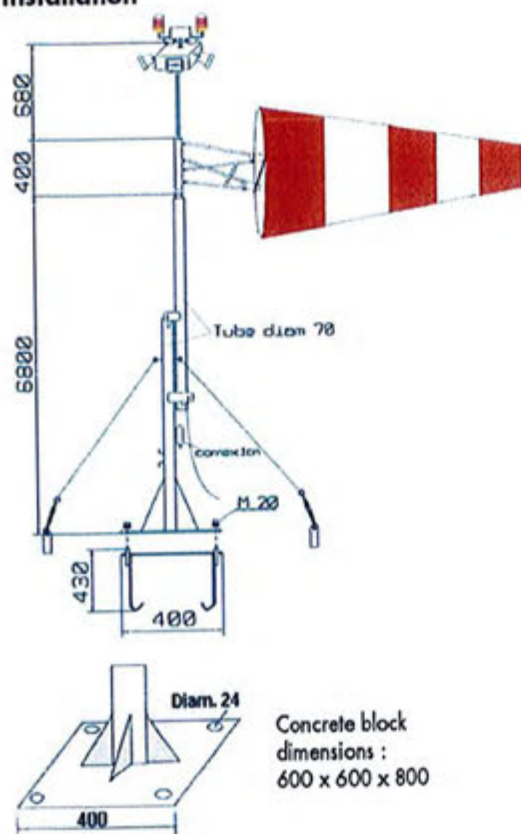


WDI Wind Direction Indicator

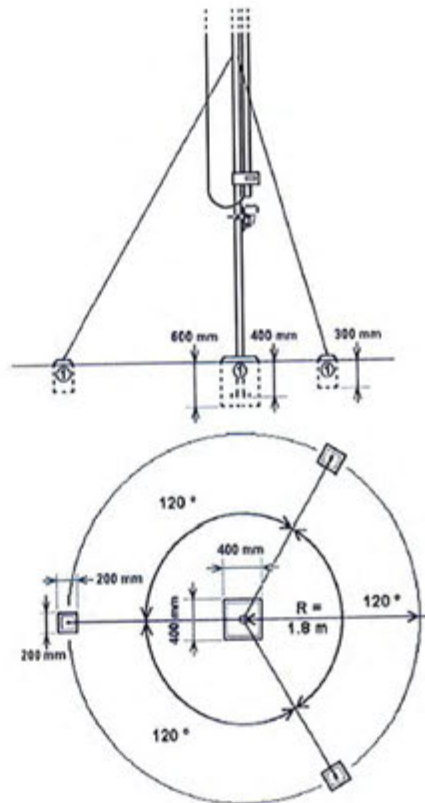
Technical characteristics

- Overall Height: Less than 7.5 m.
- Lamps (Option): **Socket Lighting**: PAR 38 socket lamp of 150 Watts (230 Vac). Lamp life greater than 4,000 hours.
 PAR 38 socket lamp of 45 Watts (6.6 Amps). Lamp life greater than 4,000 hours.
- Obstacle**: E27 socket lamp of 55 Watts (230 Vac). Lamp life greater than 8,000 hours.
 Pk30d socket lamp of 45 Watts (6.6 Amps). Lamp life greater than 1,000 hours.
- Power Supply: 230Vac using 2x4mm² cable (Standard) or 6,6A using 2x4mm² cable through an Isolating Transformer (Option)
- Finish: All the metallic parts are made in Galvanised Steel finished and covered with two coats of alternate Red and White point. The sock (coloured alternatively Red and White) is made in long lasting synthetic textile, exist in two sizes.
- Wind Sock: 1) Length = 4,5 m, Diameter = 1 m
 2) Length = 2,25 m, Diameter = 0,6 m

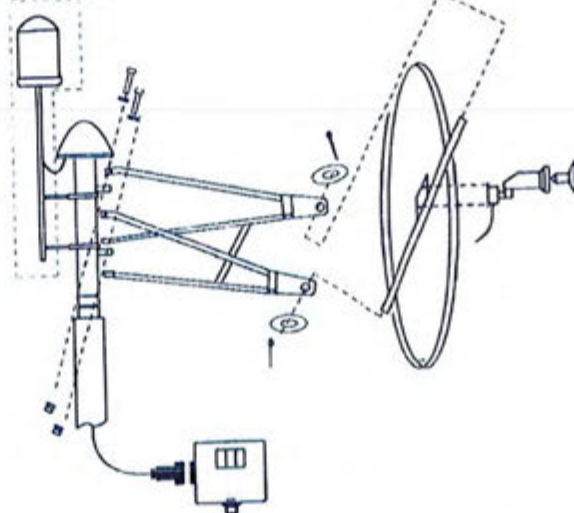
Installation



Concrete block
 dimensions :
 600 x 600 x 800



Options



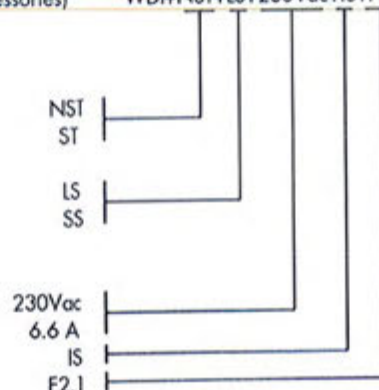
WDI

Ordering Code

WDI = Tiltable mast (with its mounting accessories)

- + Vane
- + wind sock
- Tiltable Mast
 - . Non Stayed Mast
 - . Stayed Mast
- Wind sock
 - . length = 4,5 m, Diameter = 1 m
 - . length = 2,25 m, Diameter = 0,6 m
- Illuminated WDI (Option)
 - . Power supply
 - . 230 Vac
 - . 6,6 A
 - . Illuminated sock
 - . F2.1 Obstruction light

WDI+NST+LS+230Vac+IS+F2.1



Thorn Airfield Lighting France
156 boulevard Haussmann
75379 Paris Cedex 08
FRANCE
Tel : +33 (0) 1 49 53 62 62
Fax : +33 (0) 1 49 53 62 89
info@ThornAirfieldLighting.fr

Thorn Airfield Lighting Pty Ltd
7-9 Newcastle Road
Bayswater Victoria 3153
AUSTRALIA
Tel : +61 (0) 3 97 20 32 33
Fax : +61 (0) 3 97 20 82 33
info@ThornAirfieldLighting.com

Thorn Airfield Lighting UK Ltd
11 Town Quay Wharf, Abbey
Road,
Barking, Essex, IG117BZ
UNITED KINGDOM
Tel : +44 (0) 208 594 2747
Fax : +44 (0) 208 594 2848
info@ThornAirfieldLighting.co.uk

Cardboard packing data

Designation	Volume in m ³	Dimensions in cm	Weight in kg
Tiltable Mast	0.21	550 x 25 x 15	80
1 x 4, 5m Wind sock + Vane	1.26	200 x 150 x 60	60
0,6 x 2,25 m Wind sock + Vane	0.27	54 x 65 x 75	40

Specification

The Wind Direction Indicator WDI shall comply with ICAO recommendations in Annex 14, Volume I, paragraph 5.1.1, with STNA standards. It shall be support by stayed or non stayed tilt mast.

Two sizes of Sock will be available 1 m x 4.5 m or 0.6 m x 2.25 m.

Its overall size will be less than 7.5 m.

All the metallic parts of the WDI will be in galvanised steel finished and covered with two coats of alternate Red and White paint. All fixings and fastening shall be stainless steel.

The Sock will be made in long lasting synthetic textile.

As an Option the WDI sock will be internally

illuminated with one PAR38 lamp not exceeding 150 Watts. Lamp life shall be greater than 4,000 hours.

As an Option the WDI will be equipped with one F2-1 Obstruction light with one E27 (or Pk30d) lamp not exceeding 55 Watts. E27 Lamp life shall be greater than 8,000 hours.

In the case of Illuminated WDI this one will be powered supply in standard with 230 Vac. As an option the WDI can be delivered in a version allowing Power Supply in 6,6 Amps through a standard Airfield Lighting current loop.

Maintenance operations as new sock installation or lamps replacement will be easy and high-speed using facilities of the tilt mast.



All descriptions and photometric characteristics in this publication present only general particulars and shall not form of any contract. The right is reserve to change then without prior notification.

