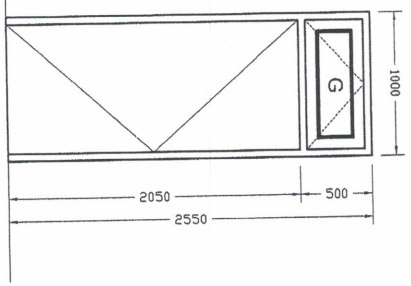
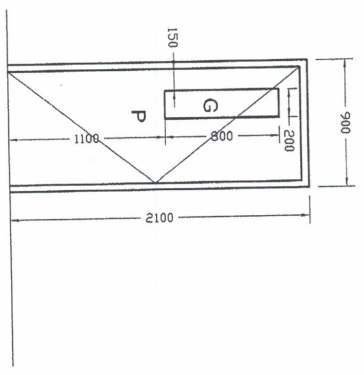


D1



QUANTITY	01
FRAME	TREATED TIMBER
PANEL	TREATED TIMBER PANEL DOOR
FINISH	NIPPON/SIGMA OR EQUIVALENT ENAMEL PAINT
HINGE	SS HINGES SINGLE SIDE OPENING
LOCK	STATE MAKE (MORTICE LOCK)
NOTE	ALL MEASUREMENTS TO BE CHECKED ON SITE

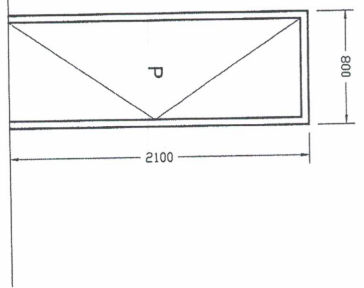
D2



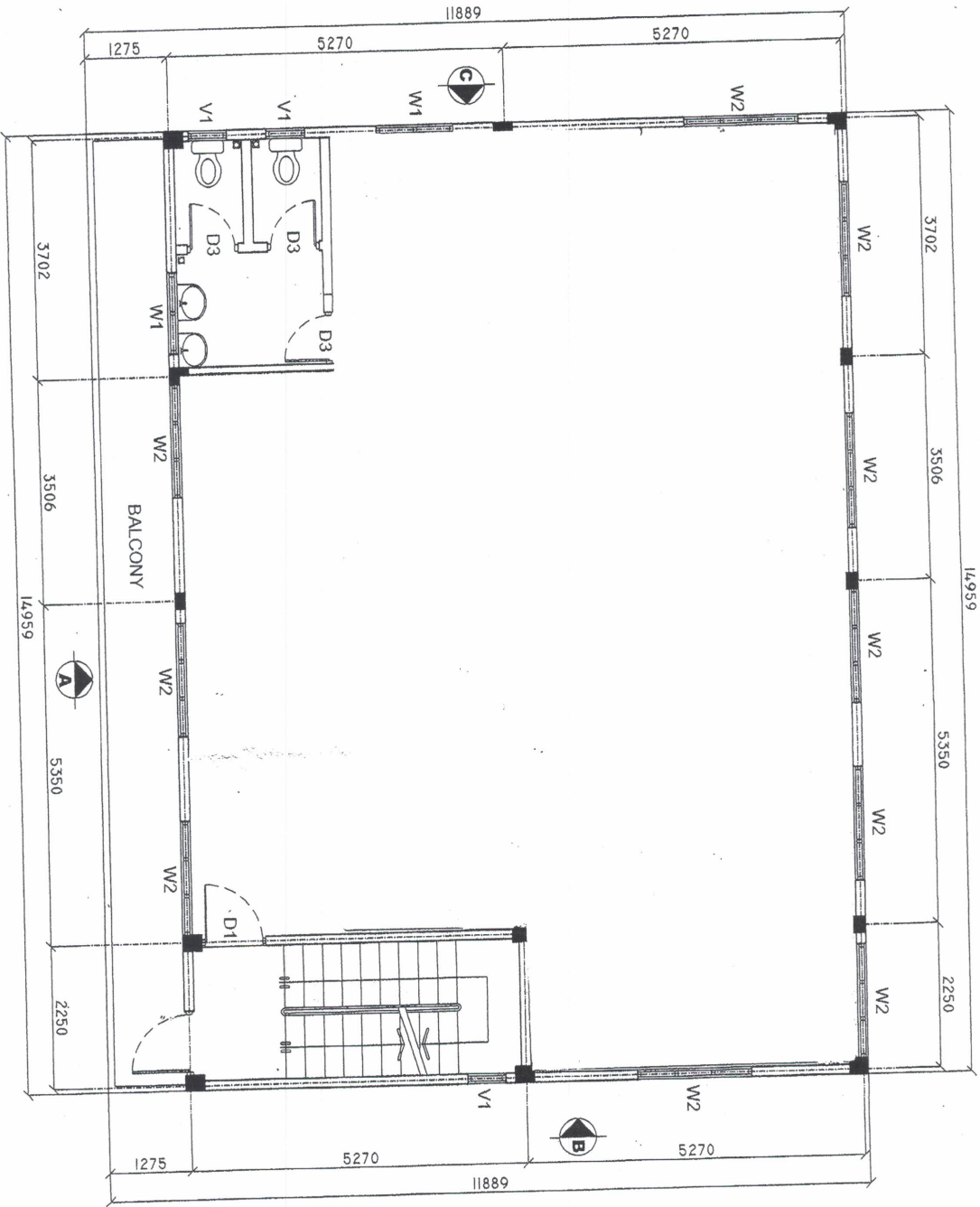
QUANTITY	03
FRAME	TREATED TIMBER
PANEL	HOLLOW CORE DOOR
FINISH	NIPPON/SIGMA OR EQUIVALENT ENAMEL PAINT
HINGE	SS HINGES SINGLE SIDE OPENING
LOCK	STATE MAKE (MORTICE LOCK)
NOTE	ALL MEASUREMENTS TO BE CHECKED ON SITE

G = 6mm CLEAR GLASS  
 P = 6 mm THICK PLYWOOD

D3



QUANTITY	04
FRAME	TREATED TIMBER
PANEL	TREATED TIMBER PANEL DOOR
FINISH	NIPPON/SIGMA OR EQUIVALENT ENAMEL PAINT
HINGE	SS HINGES SINGLE SIDE OPENING
LOCK	STATE MAKE (MORTICE LOCK)
NOTE	ALL MEASUREMENTS TO BE CHECKED ON SITE



# SECOND FLOOR PLAN

SCALE 1:100