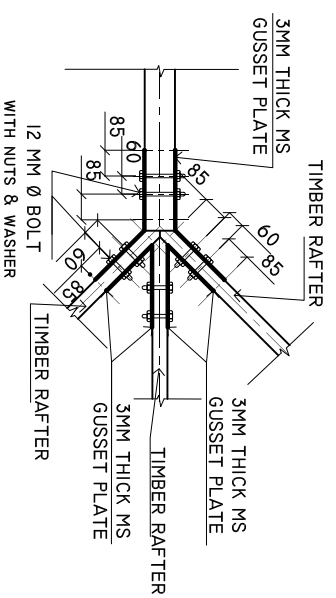
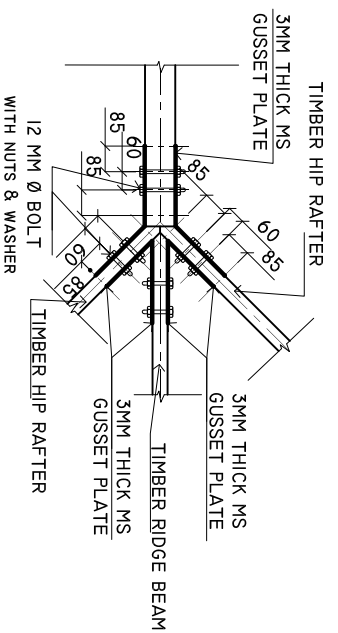


**DETAILS A1**  
**SCALE: 1 : 25**



**DETAILS A2**  
**SCALE: 1 : 25**



SHEET CONTENTS :

REVISION NOTES:  
REVISED ON 14, OCT 2019.

PROJECT:  
CONSTRUCTION OF HA.  
BAARAH HEALTH  
CENTER EXTENSION

CLIENT:  
MINISTRY OF HEALTH

LOCATION:  
HDH, HA, BAARAH

CONTENTS: AS GIVEN

PROJECT MANAGER:

DESIGNER: ARIZ

CV/STR. ENGINEER:

SURVEYED BY: -

DRAWN BY: ARIZ

CHECKED BY:

DATE : OCTOBER 2019

SHEET NO. : /

