

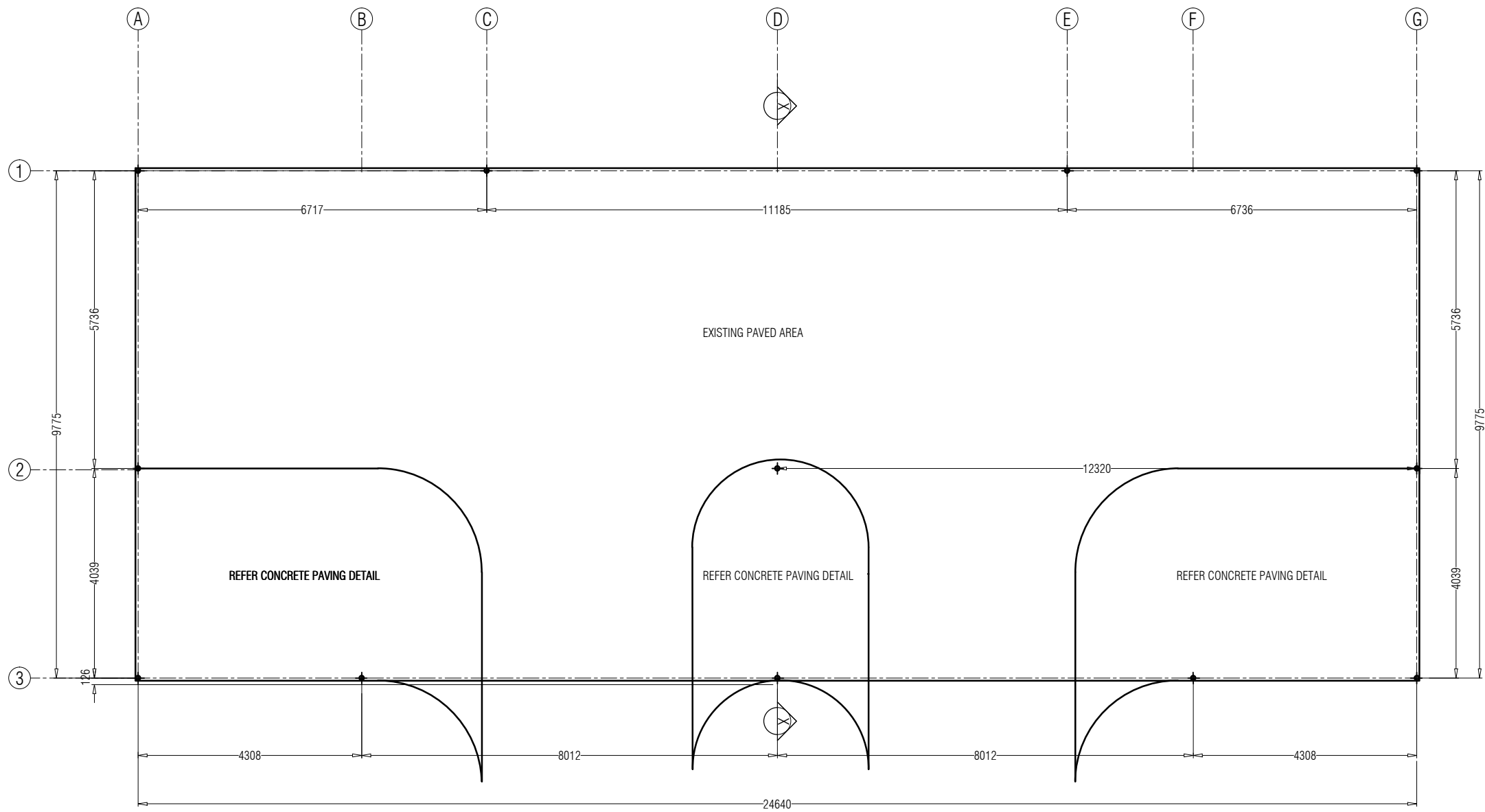
# **KULHUDHUFFUSHI AIRPORT**

## **TERMINAL FRONT MODIFICATION** ARCHITECTURAL & STRUCTURAL DRAWINGS

CLIENT:  
**REGIONAL AIRPORTS**

DATE:  
**OCT, 2019**

TYPE	SIZE	RFMNT.
F1	10001000x200	T10@175 C/C (B/W)
F2	750x750x200	T10@165 C/C (B/W)
F3	850x850x200	4T12 (R6-200C/C)
C	75 DIA	G.1 PIPE
C1	100 DIA	G.1 PIPE



FLOOR PLAN  
 TERMINAL FRONT MODIFICATION  
 SCALE: 1:100

---



---



---



---



---



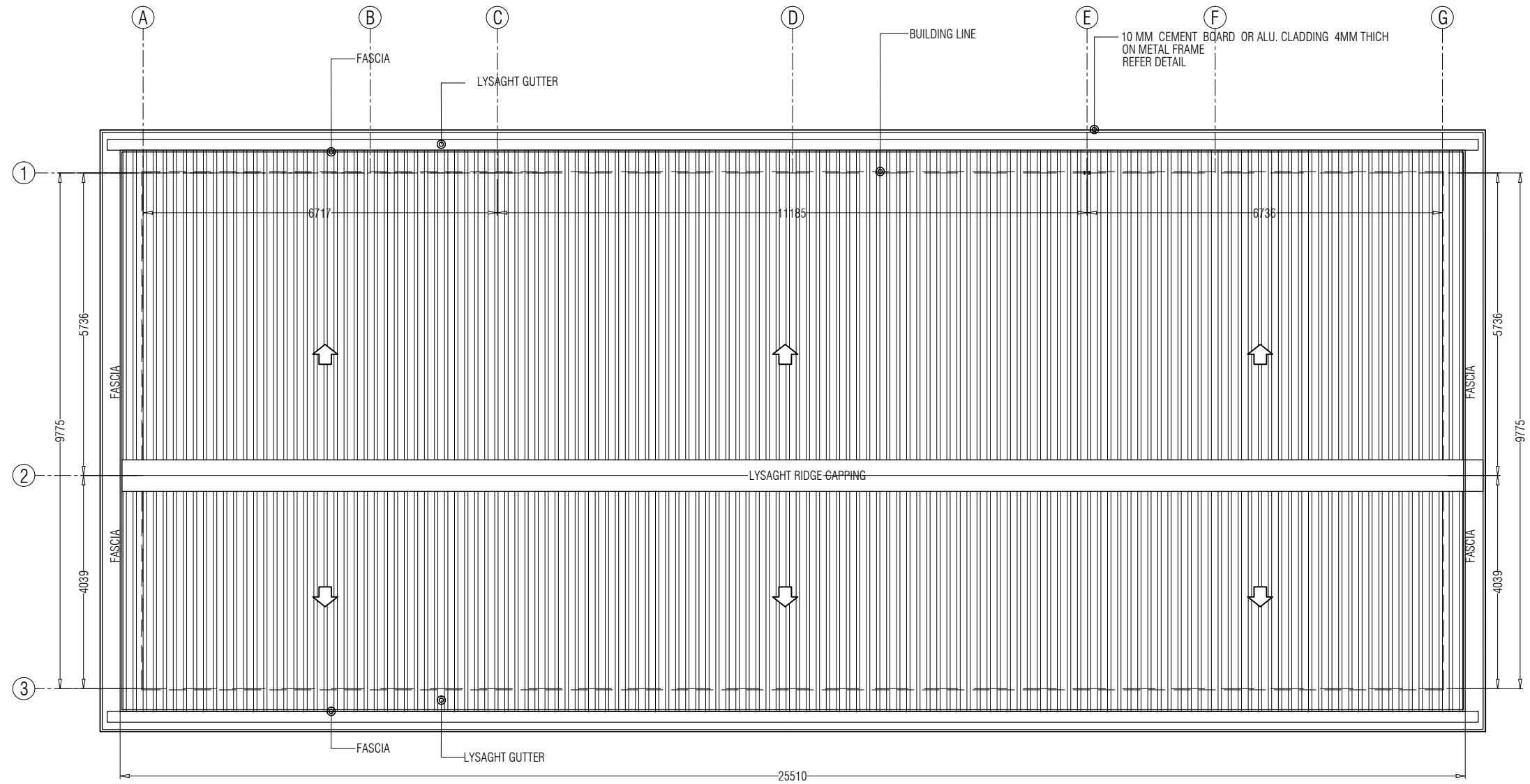
---

PROJECT: **TERMINAL FRONT MODIFICATION  
 KULHUDHUFFUSHI AIRPORT**

TITLE: **AS GIVEN**

DRAWN BY: MAHREEN  
 DESIGN BY: MAHREEN  
 DRAWING NO: KUL-TM-01/19  
 SCALE: SCALE: 1:100  
 DATE: OCT-2019  
 CHECKED BY: MAHREEN



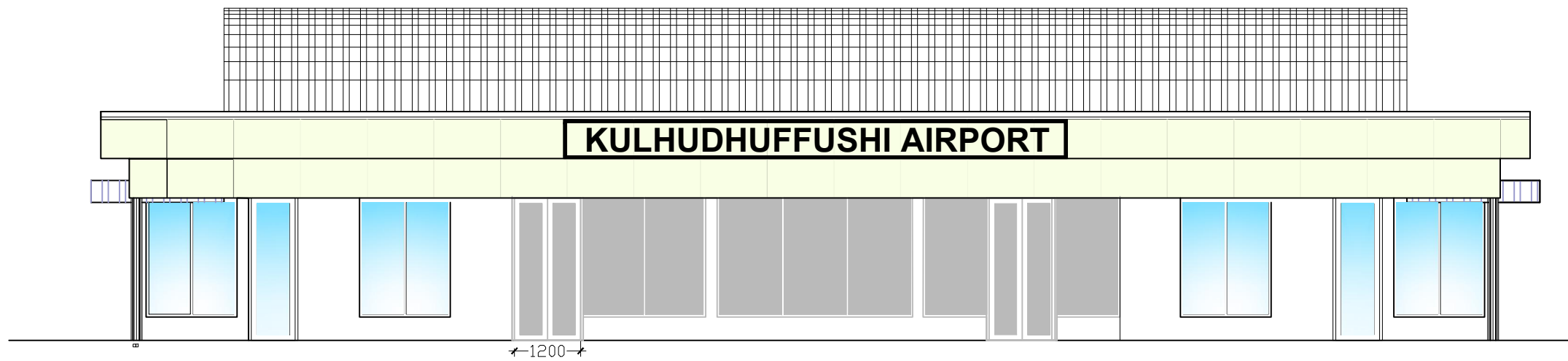


ROOF PLAN  
 ERMINAL FRONT MODIFICATION  
 SCALE: 1:100

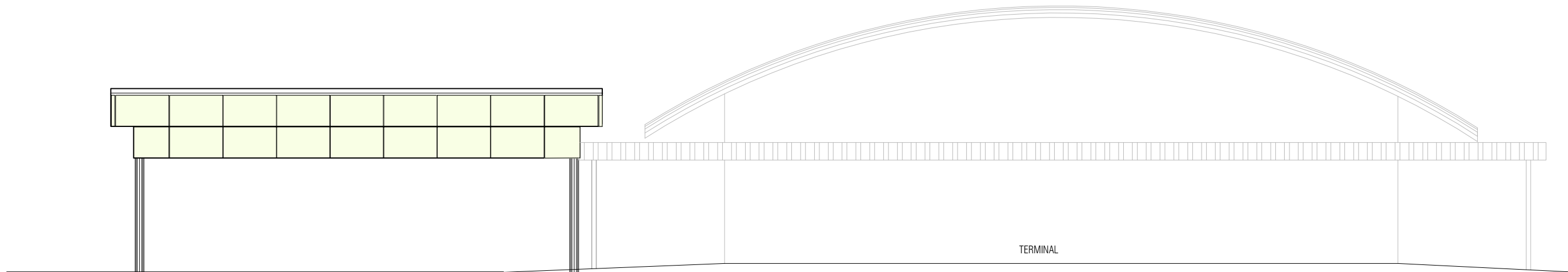

PROJECT: TERMINAL FRONT MODIFICATION  
 KULHUTHUFFUSHI AIRPORT  
 TITLE: AS GIVEN

DRAWN BY:	MAHREEN
DESIGN BY:	MAHREEN
DRAWING NO:	KUL-TM-02/19
SCALE:	SCALE: 1:100
DATE:	OCT-2019
CHECKED BY:	MAHREEN

REGIONAL AIRPORTS  
 MIN. OF TOURISM  
 MALE  
 REP. OF MALDIVES  
 TEL: 323805, FAX: 320911  
 Email: regional@airports.gov.mv



FRONT ELEVATION  
 KULHUDHUFFUSHI TERMINAL AREA MODIFICATION  
 SCALE: 1:100



SIDE ELEVATION  
 TERMINAL FRONT MODIFICATION  
 SCALE: 1:100

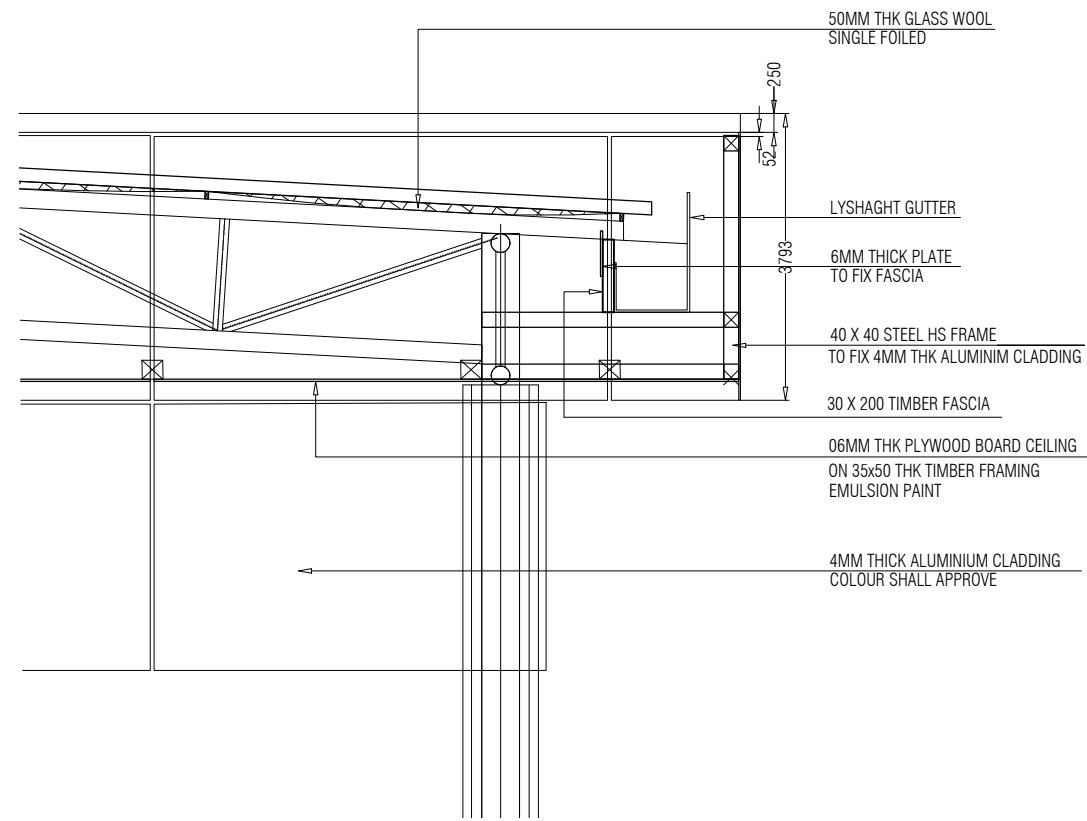

PROJECT: **TERMINAL FRONT MODIFICATION**  
 KULHUDHUFFUSHI AIRPORT

TITLE:  
**AS GIVEN**

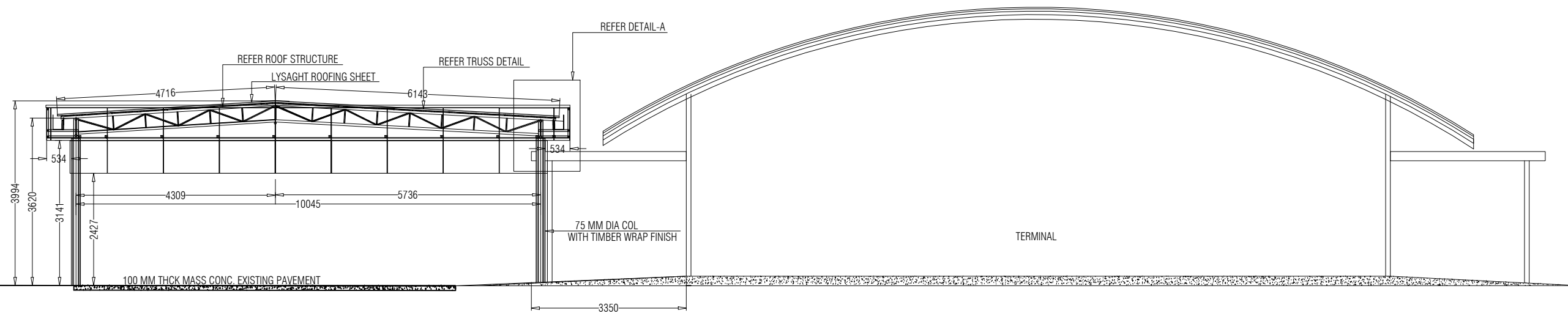
DRAWN BY:	MAHREEN
DESIGN BY:	MAHREEN
DRAWING NO:	KUL-TM-03/19
SCALE:	SCALE: 1:100
DATE:	OCT-2019
CHECKED BY:	MAHREEN

**REGIONAL AIRPORTS**  
 MIN. OF TOURISM

MALE  
 REP. OF MALDIVES  
 TEL: 323805, FAX: 320911  
 Email: regional@airports.gov.mv



DETAIL - A  
SCALE: 1:20



SECTION X-X  
TERMINAL FRONT MODIFICATION  
SCALE: 1:100

\_\_\_\_\_

\_\_\_\_\_

\_\_\_\_\_

\_\_\_\_\_

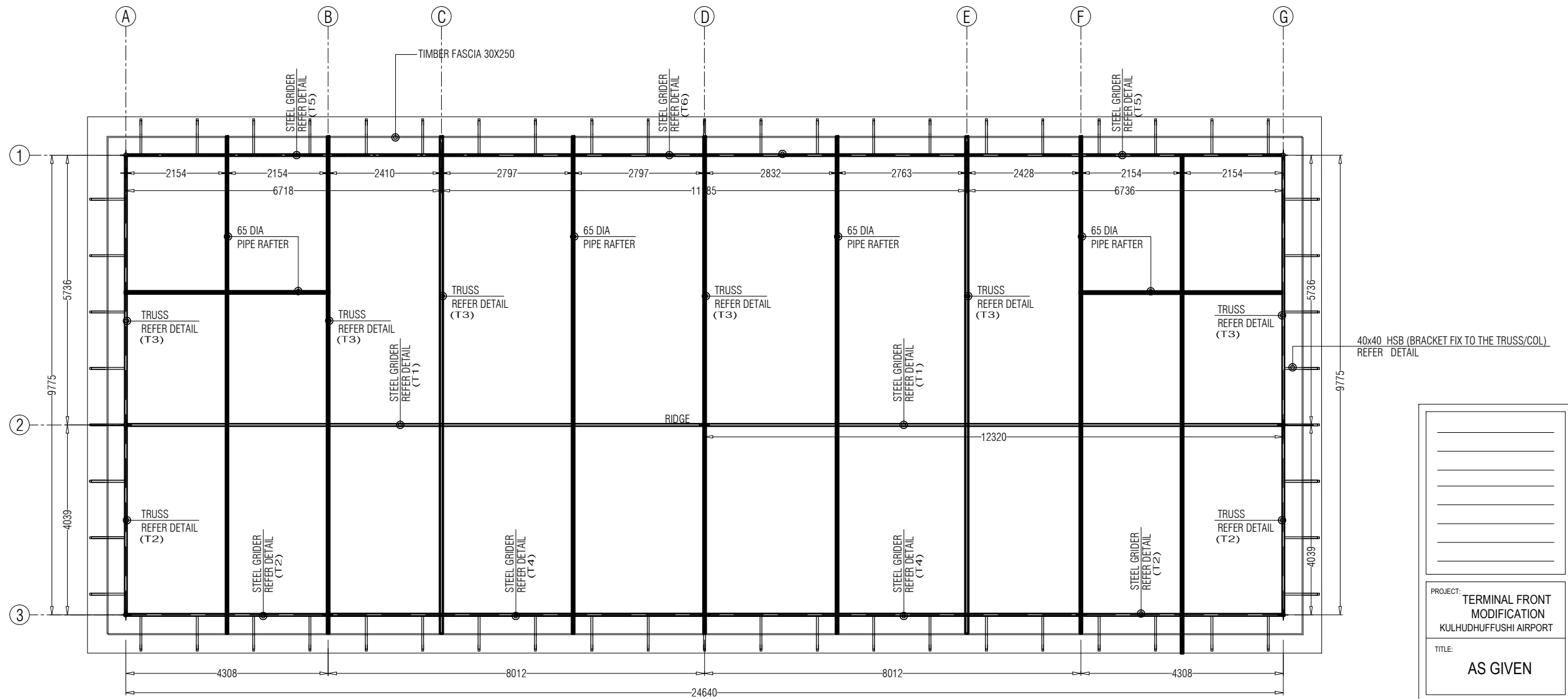
\_\_\_\_\_

\_\_\_\_\_

PROJECT: **TERMINAL FRONT MODIFICATION**  
KULHUFFUSHI AIRPORT

TITLE: **AS GIVEN**

DRAWN BY:	MAHREEN
DESIGN BY:	MAHREEN
DRAWING NO:	KUL-TM-04/19
SCALE:	SCALE: 1:100
DATE:	OCT-2019
CHECKED BY:	MAHREEN



ROOF STRUCTURE PLAN  
 TERMINAL FRONT MODIFICATION  
 SCALE: 1:100

PROJECT: TERMINAL FRONT  
 MODIFICATION  
 KULHUDHUFFUSHI AIRPORT

TITLE:  
 AS GIVEN

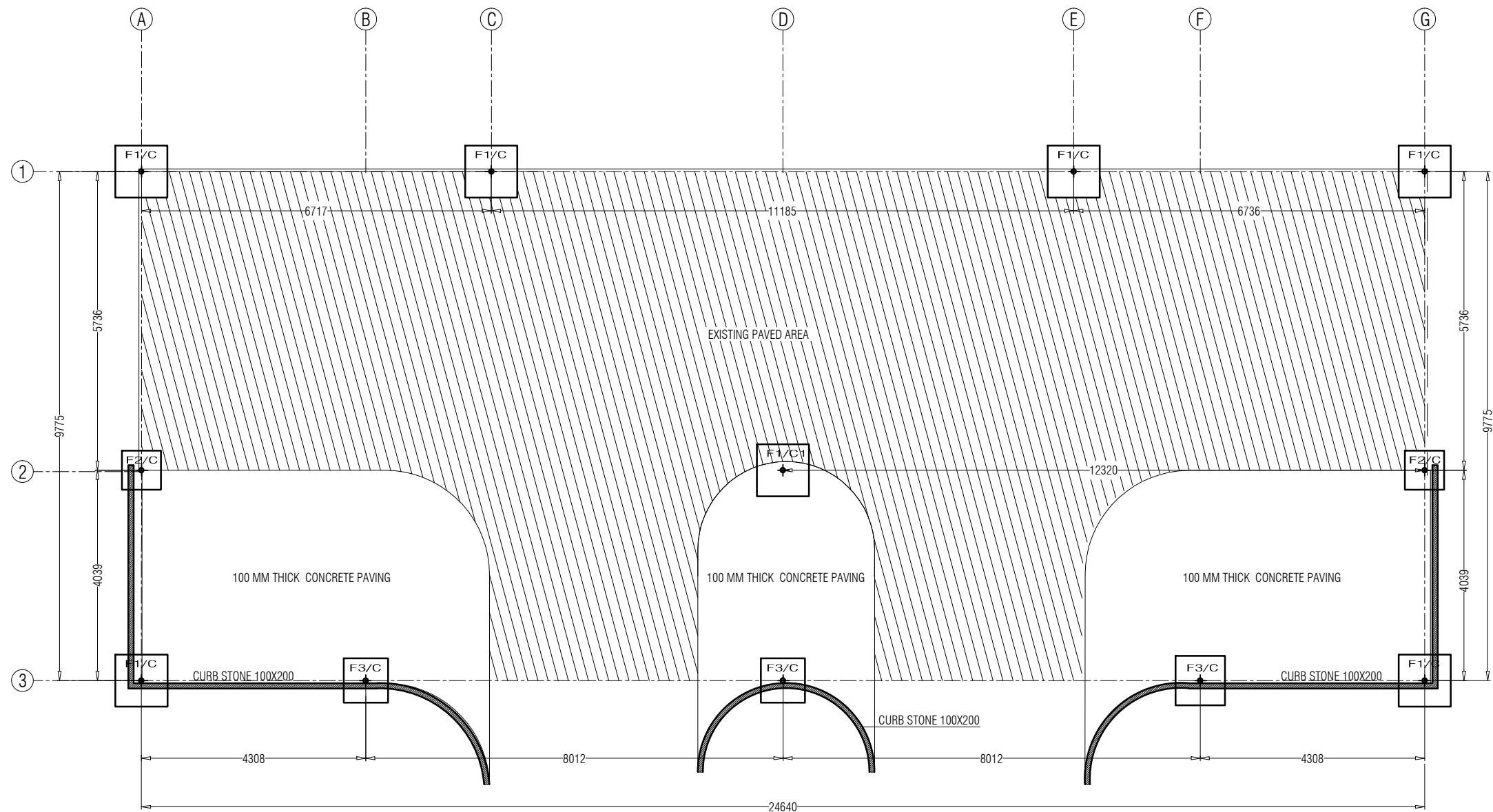
DRAWN BY:	MAHREEN
DESIGN BY:	MAHREEN
DRAWING NO:	KUL-TM-05/19
SCALE:	SCALE: 1:100
DATE:	OCT-2019
CHECKED BY:	MAHREEN



REGIONAL AIRPORTS  
 MIN. OF TOURISM

MALE  
 REP. OF MALDIVES  
 TEL: 323805, FAX: 320911  
 Email: regional@airports.gov.mv

TYPE	SIZE	RFMNT.
F1	1000x1000x200	T10@150 C/C (B/W)
F2	750x750x200	T10@165 C/C (B/W)
F3	850x850x200	T10 @ 150 c/c (B/W)
C	75 DIA	G.1 PIPE
C1	100 DIA	G.1 PIPE



FOUNDATION & COLUMN PLAN  
 TERMINAL FRONT MODIFICATION  
 SCALE: 1:100

\_\_\_\_\_

\_\_\_\_\_

\_\_\_\_\_

\_\_\_\_\_

\_\_\_\_\_

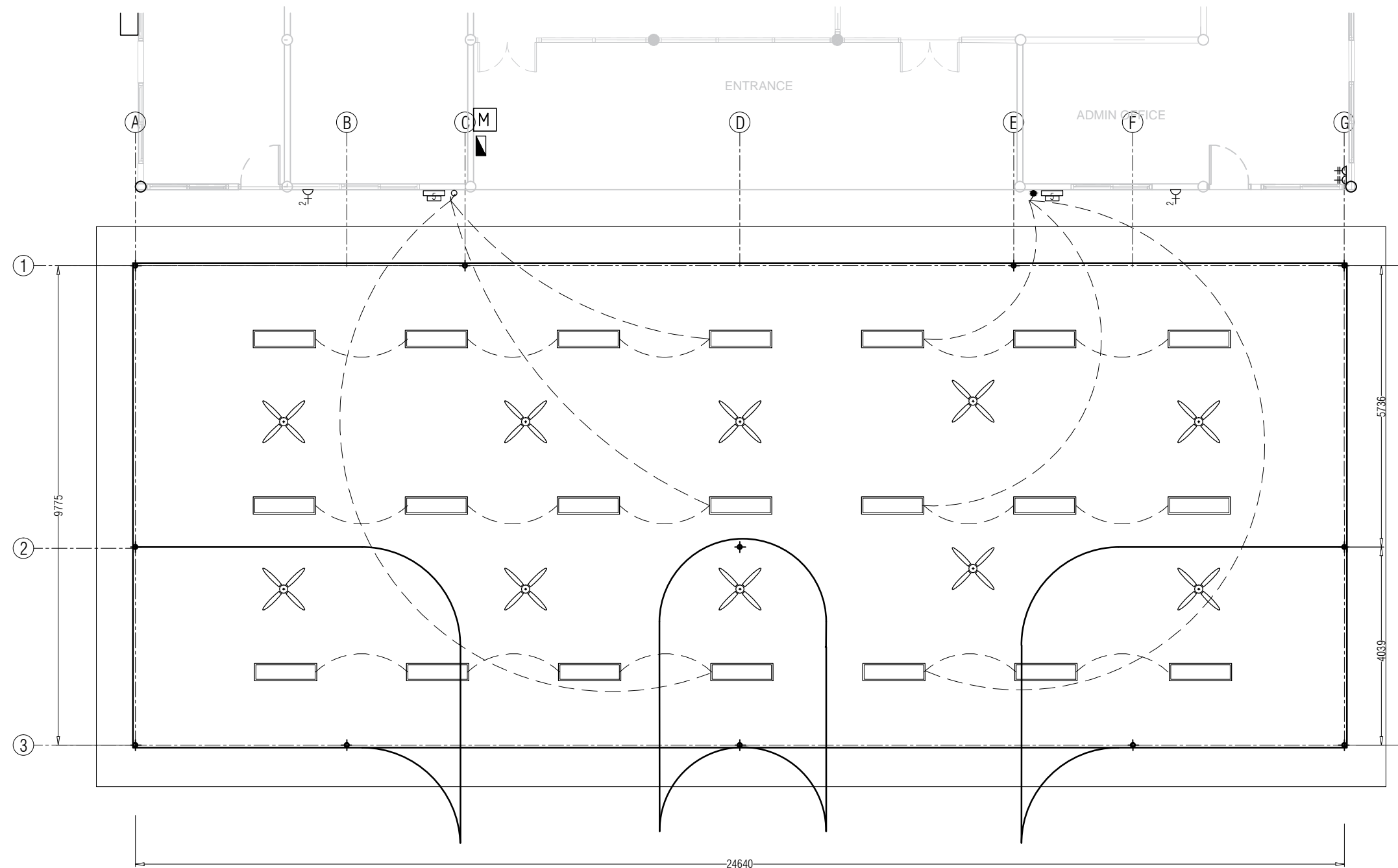
PROJECT: **TERMINAL FRONT MODIFICATION**  
**KULHUFFUSHI AIRPORT**

TITLE: **AS GIVEN**

DRAWN BY:	MAHREEN
DESIGN BY:	MAHREEN
DRAWING NO:	KUL-TM-01/19
SCALE:	SCALE: 1:100
DATE:	OCT-2019
CHECKED BY:	MAHREEN



**REGIONAL AIRPORTS**  
 MIN. OF TOURISM  
 MALDIVES  
 REP. OF MALDIVES  
 TEL: 323805, FAX: 320911  
 Email: regional@airports.gov.mv



- LEGENDS**
- DISTRIBUTION BOX
  - 300x1200 WITH 4FT. LED LIGHT CEILING FIXED TYPE
  - 4x1 SWITCH (3 GANG)
  - 3x1 SWITCH (2 GANG)
  - 2x1 SOCKET OUTLET 13 AMP (250MM ABOVE F.FLOOR LEVEL)
  - FAN CONTROL
- NOTE:**  
 ALL WIRING TO BE OF STELCO APPROVED STANDARDS  
 FLOOR LEVEL SOCKETS = 300MM FROM FLOOR FIN. LEVELL  
 SOCKETS = 1100MM - 1200MM FROM FLOOR FIN. LEV  
 KITCHEN SOCKETS = 1150 - 1250MM FROM FLOOR FIN. LEVEL  
 A/C / WH / EM / WP SOCKETS = 2500MM - 2700MM FROM FLOOR FIN. LEVEL

\_\_\_\_\_

\_\_\_\_\_

\_\_\_\_\_

\_\_\_\_\_

\_\_\_\_\_

PROJECT: **TERMINAL FRONT MODIFICATION**  
**KULHUDHUFFUSHI AIRPORT**

TITLE: **AS GIVEN**

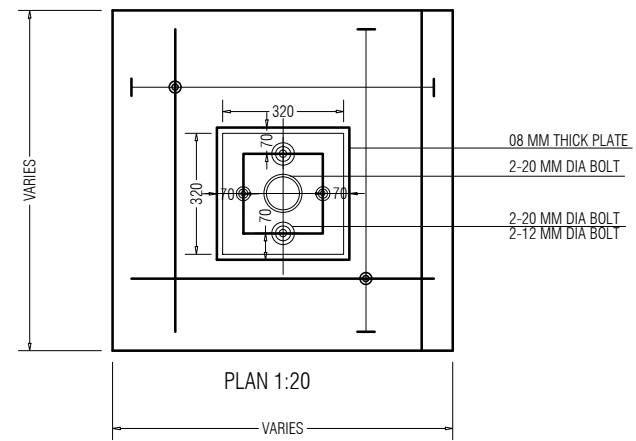
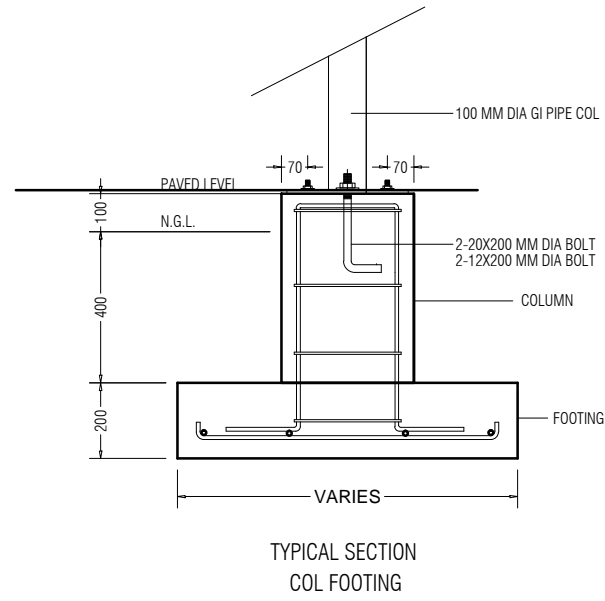
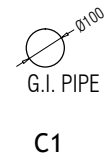
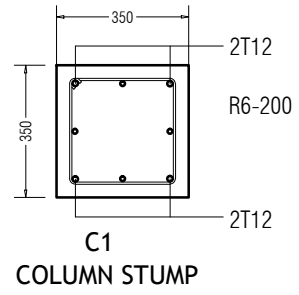
DRAWN BY:	MAHREEN
DESIGN BY:	MAHREEN
DRAWING NO:	KUL-TM-07/19
SCALE:	SCALE: 1:100
DATE:	OCT-2019
CHECKED BY:	MAHREEN



**REGIONAL AIRPORTS**  
 MIN. OF TOURISM

MALE  
 REP. OF MALDIVES  
 TEL: 323805, FAX: 320911  
 Email: regional@airports.gov.mv



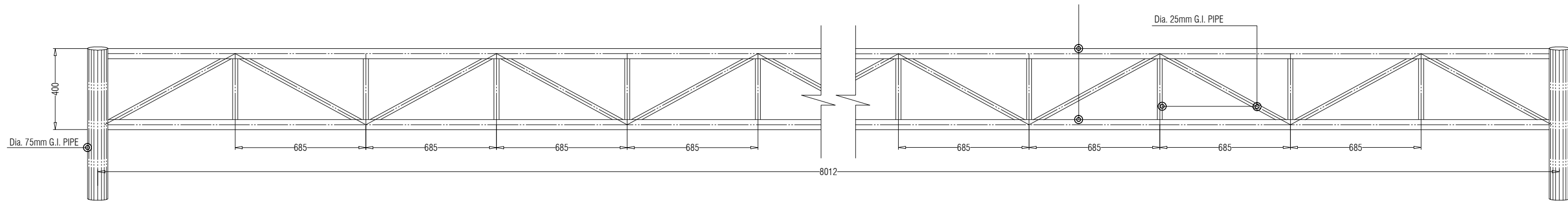


**STRUCTURAL DETAILS-1**  
Scale 1:20

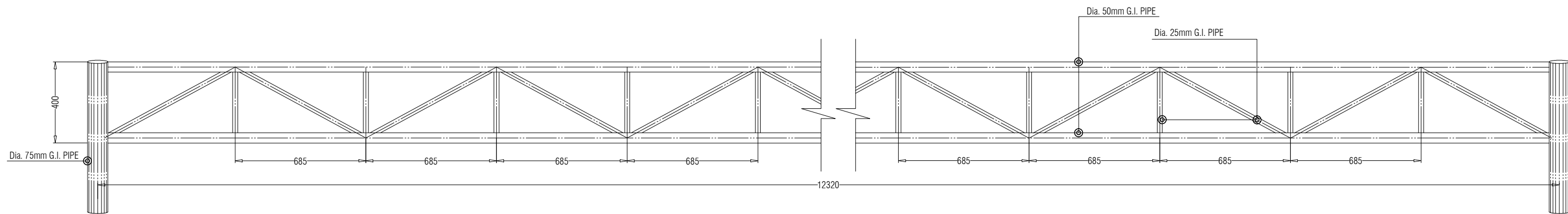

PROJECT: **TERMINAL FRONT MODIFICATION KULHUTHUFFUSHI AIRPORT**

TITLE: **AS GIVEN**

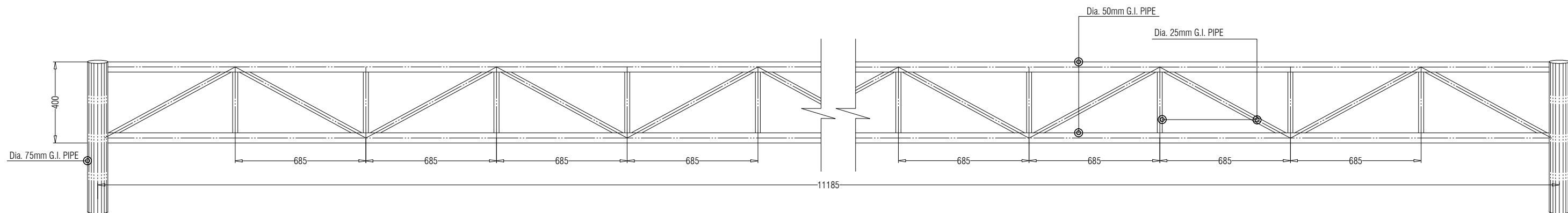
DRAWN BY:	MAHREEN
DESIGN BY:	MAHREEN
DRAWING NO:	KUL-TM-08/19
SCALE:	SCALE: 1:100
DATE:	OCT-2019
CHECKED BY:	MAHREEN



TRUSS DETAIL - T4




TRUSS DETAIL - T1



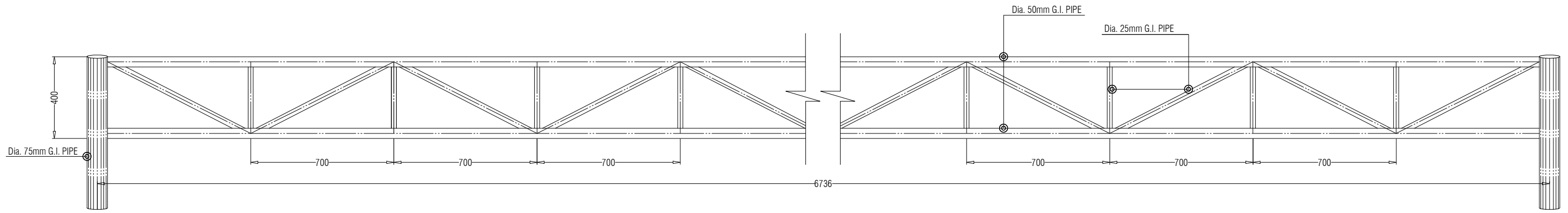
TRUSS DETAIL - T6

PROJECT: <b>TERMINAL FRONT MODIFICATION</b> KULHUFUSHI AIRPORT	
TITLE: <b>AS GIVEN</b>	
DRAWN BY:	MAHREEN
DESIGN BY:	MAHREEN
DRAWING NO:	KUL-TM-09/19
SCALE:	SCALE: 1:100
DATE:	OCT-2019
CHECKED BY:	MAHREEN

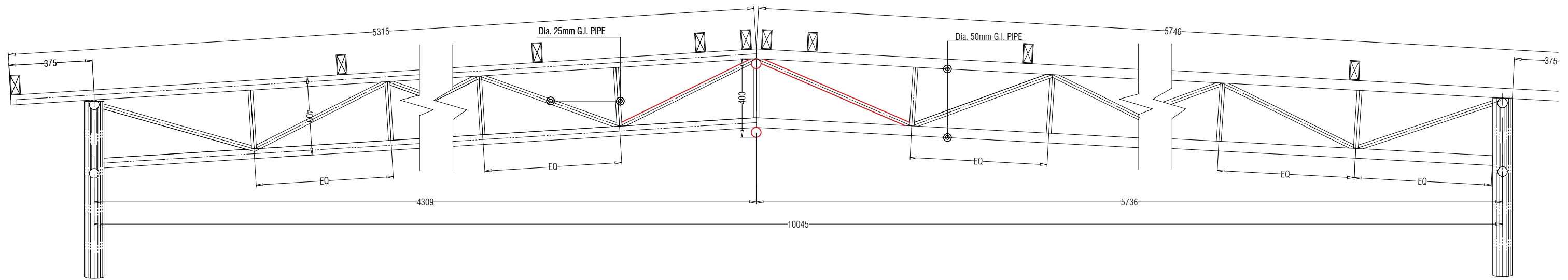


**REGIONAL AIRPORTS**  
MIN. OF TOURISM

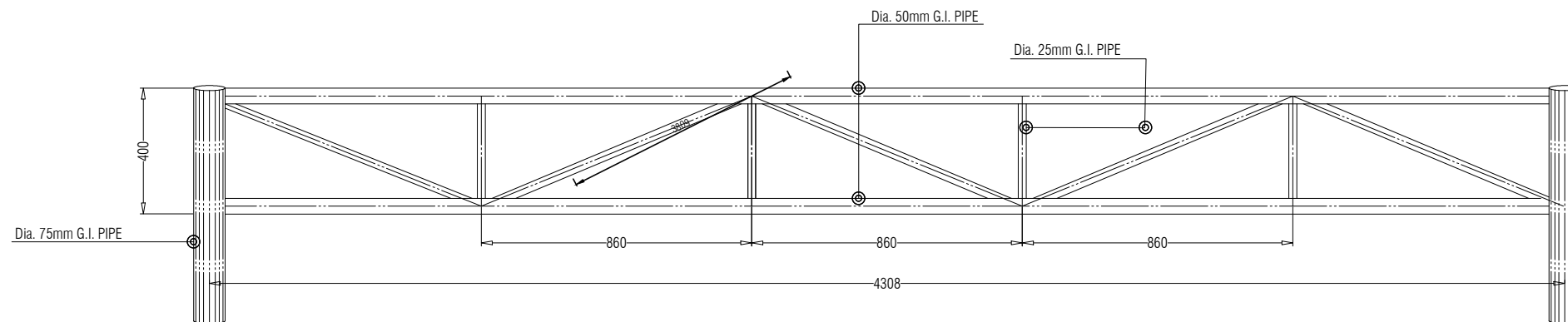
MALE  
REP. OF MALDIVES  
TEL: 323805, FAX: 320911  
Email: regional@airports.gov.mv



TRUSS DETAIL - T5



TRUSS DETAIL - 3



TRUSS DETAIL - 2

\_\_\_\_\_

\_\_\_\_\_

\_\_\_\_\_

\_\_\_\_\_

\_\_\_\_\_

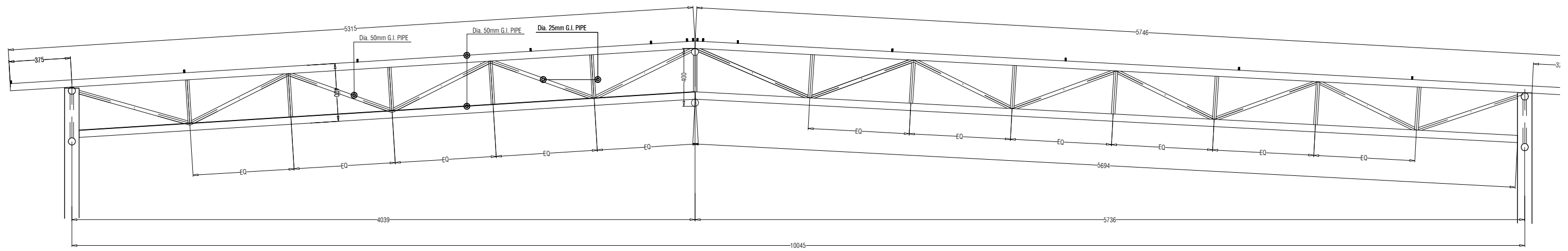
PROJECT: **TERMINAL FRONT MODIFICATION**  
**KULHUFUSHI AIRPORT**

TITLE: **AS GIVEN**

DRAWN BY:	MAHREEN
DESIGN BY:	MAHREEN
DRAWING NO:	KUL-TM-10/19
SCALE:	SCALE: 1:100
DATE:	OCT-2019
CHECKED BY:	MAHREEN

**REGIONAL AIRPORTS**  
 MIN. OF TOURISM

MALE  
 REP. OF MALDIVES  
 TEL: 323805, FAX: 320911  
 Email: regional@airports.gov.mv



TRUSS DETAIL - 3

\_\_\_\_\_

\_\_\_\_\_

\_\_\_\_\_

\_\_\_\_\_

\_\_\_\_\_

PROJECT: **TERMINAL FRONT  
MODIFICATION  
KULHUTHUFFUSHI AIRPORT**

TITLE: **AS GIVEN**

DRAWN BY:	MAHREEN
DESIGN BY:	MAHREEN
DRAWING NO:	KUL-TM-11/19
SCALE:	SCALE: 1:100
DATE:	OCT-2019
CHECKED BY:	MAHREEN

**REGIONAL AIRPORTS**  
MIN. OF TOURISM

MALE  
REP. OF MALDIVES  
TEL: 323805, FAX: 320911  
Email: regional@airports.gov.mv