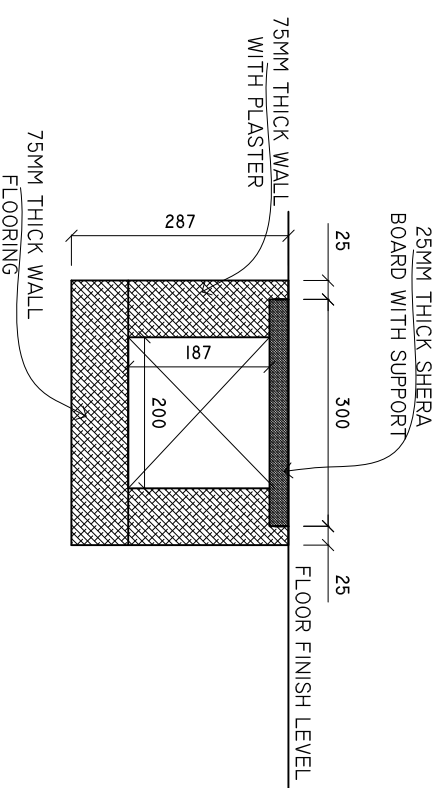


TRENCH DETAIL

SCALE: 1 : 10



NOTE: ALL THE INTERNAL SURFACE TO BE APPLIED WITH WATERPROOFING COATING. WATERPROOFING COATING TO BE APPROVED BY CLIENT BEFORE APPLYING.