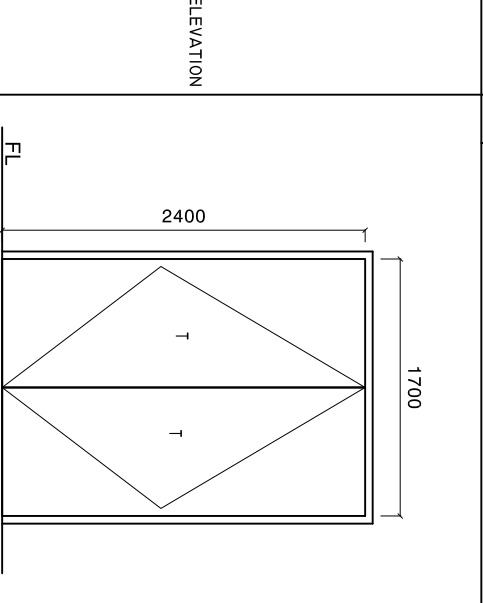
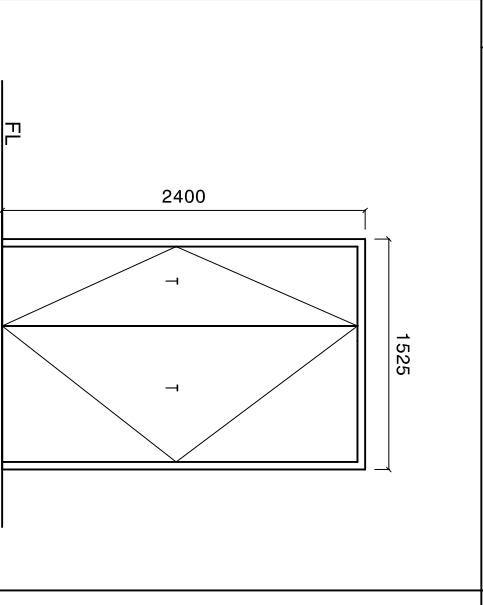
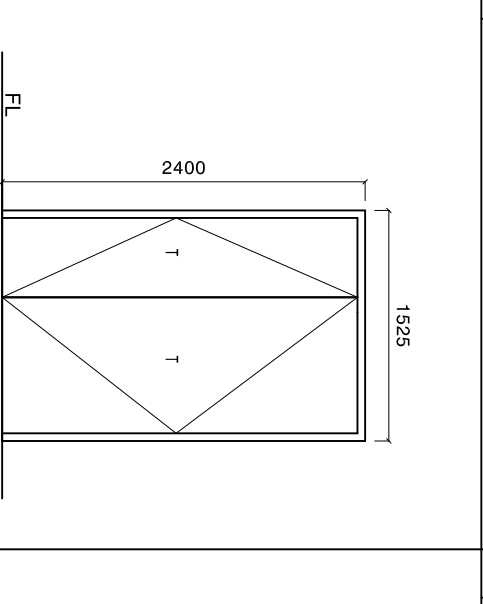
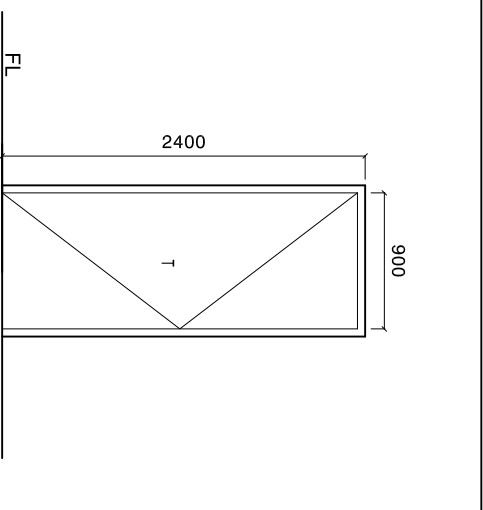
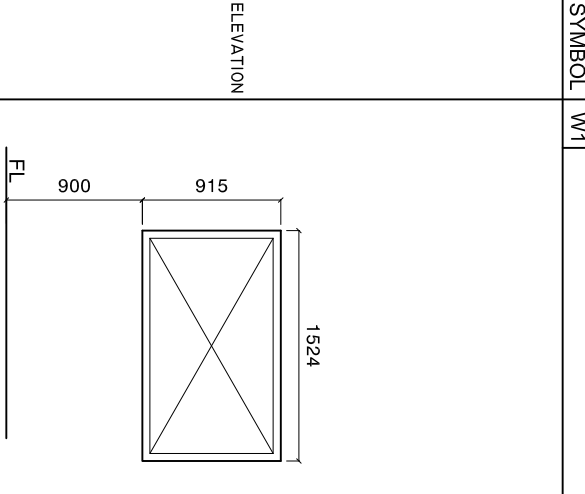
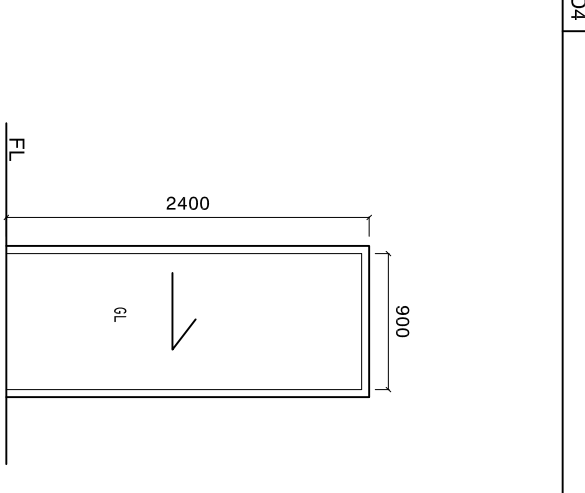
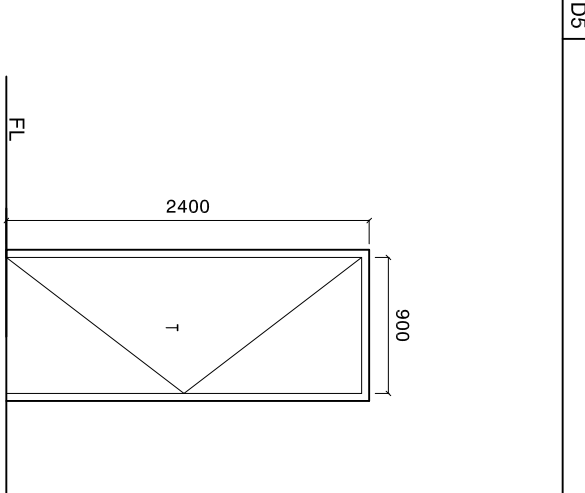


DOORS AND WINDOWS SCHEDULE

Scale 1:50

SYMBOL	D1	D1A	D2	D3
ELEVATION				
LOCATION	GROUND FLOOR	GROUND FLOOR	GROUND FLOOR	GROUND FLOOR
QUANTITY				
FRAME	SOLID TIMBER FRAME DOOR	SOLID TIMBER FRAME DOOR	SOLID TIMBER FRAME DOOR	SOLID TIMBER FRAME DOOR
PANEL	DECORATIVE SOLID TIMBER PANEL	TIMBER FRAME WITH 6MM PLY WOOD ON BOTH SIDE	TIMBER FRAME WITH 6MM PLY WOOD ON BOTH SIDE	TIMBER FRAME WITH 6MM PLY WOOD ON BOTH SIDE
FINISH	PAINT FINISH	PAINT FINISH	PAINT FINISH	PAINT FINISH
HINGE	STAINLESS STEEL	STAINLESS STEEL	STAINLESS STEEL	STAINLESS STEEL
LOCK	STATE MAKE	STATE MAKE	STATE MAKE	STATE MAKE
NOTE	ALL MEASUREMENTS TO BE CHECKED ON SITE	ALL MEASUREMENTS TO BE CHECKED ON SITE	ALL MEASUREMENTS TO BE CHECKED ON SITE	ALL MEASUREMENTS TO BE CHECKED ON SITE

SYMBOL	W1	D4	D5
ELEVATION			
LOCATION	GROUND FLOOR	GROUND FLOOR	GROUND FLOOR
QUANTITY			
FRAME	TIMBER FRAME DOOR	SOLID TIMBER FRAME DOOR	SOLID TIMBER FRAME DOOR
PANEL	CLIENT WILL PROVIDE	DECORATIVE SOLID TIMBER PANEL	TIMBER FRAME WITH 6MM PLY WOOD ON BOTH SIDE
FINISH	PAINT FINISH	PAINT FINISH	PAINT FINISH
HINGE		STAINLESS STEEL	STAINLESS STEEL
LOCK		STATE MAKE	STATE MAKE
NOTE	ALL MEASUREMENTS TO BE CHECKED ON SITE	ALL MEASUREMENTS TO BE CHECKED ON SITE	ALL MEASUREMENTS TO BE CHECKED ON SITE

NOTE:

ALL MEASUREMENTS TO BE CHECKED ON SITE BEFORE FABRICATION
T = PLYWOOD PANEL.
FG = 6MM GLASS WITH FROSTED DESIGN STICKER
CG = 6MM GLASS WITH CLEAR DESIGN STICKER