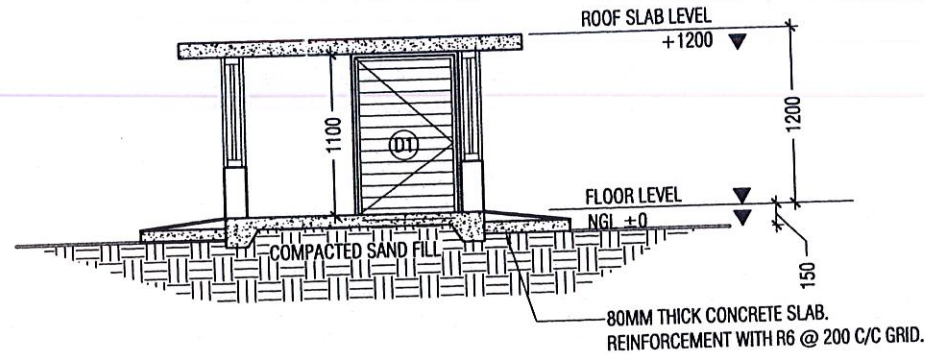
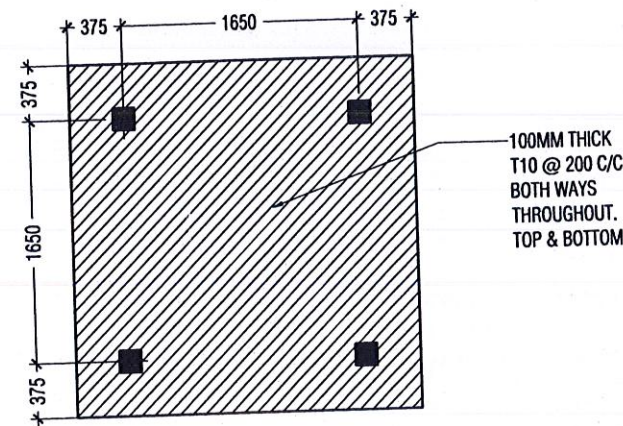


GROUND FLOOR & COLUMN LAYOUT
SCALE 1:50



SECTION X:X
SCALE 1:50



SLAB REINFT LAYOUT
SCALE 1:50

GENERAL NOTES

WALLS

1- ALL BLOCK WORK ABOVE GROUND FLOOR LEVEL SHALL BE HOLLOW BLOCK 100 X 100 X 300MM OF MINIMUM COMPRESSIVE STRENGTH 1.2 N/MM² UNLESS OTHERWISE STATED.

INTERIOR PLASTERING (1:5) = 12MM
EXTERIOR PLASTERING (1:4) = 20MM

ALL WALLS EXPOSED TO RAIN INCLUDING OPEN VOIDS SHOULD BE PLASTERED WITH 'REOMIX 720' OR EQUIVALENT CHEMICAL

PAINT FINISH ON PUTTY, AFTER CEMENT PLASTER FOR INTERIOR WALLS

FLOORING

'MATERSEAL 550' CHEMICAL SHOULD BE APPLIED IN ALL THE TOILETS AND BALCONY FLOORS UP TO 1 FEET HIGH ON THE WALLS AFTER SCREEDING.

'MASTERTILE 30' OR EQUIVALENT CHEMICAL CEMENT SHOULD BE USED FOR ALL TILING.

'MASTERTILE 530im' OR EQUIVALENT SHOULD BE USED FOR GROUT.

ALL LEVELS ON FLOOR PLAN ARE GIVEN AS FLOOR FINISH LEVELS

REFER TO FINISHING SCHEDULE FOR TYPE OF TILING, CEILING.

ALL THE WORK SHOULD BE CARRIED OUT ACCORDING TO THE CONSULTANT.

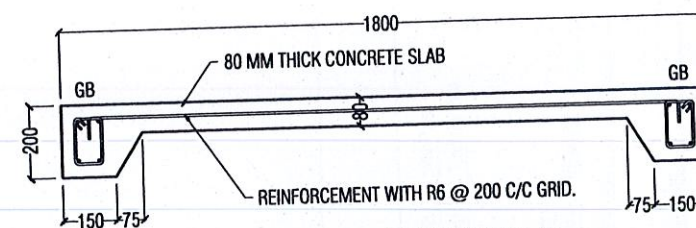
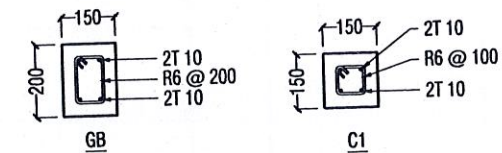
ALL THE TILES AND PAINT SHOULD BE SPECIFIED BY THE CONTRACTOR AND APPROVED BY THE CLIENT.

D/W #	D1	01 NO.S	W1	03 NO.S
DOOR FRAME	POWDER COATED ALUMINUM		POWDER COATED ALUMINUM	
PANEL	POWDER COATED ALUMINUM LOUVRE		POWDER COATED ALUMINUM LOUVRE	
FINISHES	WHITE		WHITE	

GENERAL NOTES:

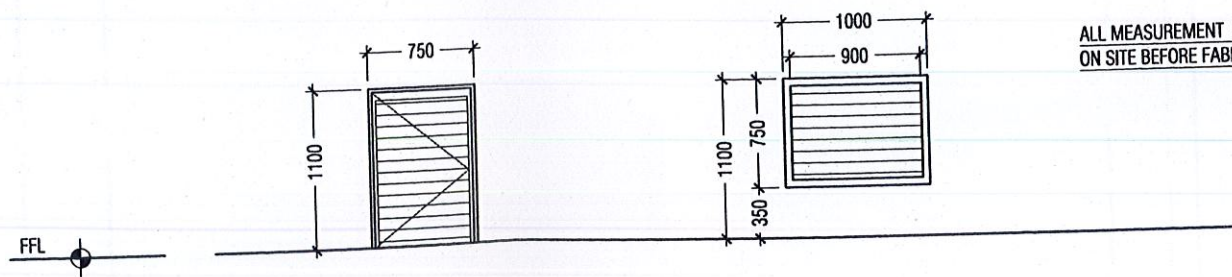
A. HINGES SHALL CONFIRM AS FOLLOWS:
IF DOOR SIZE IS MORE THAN 700W X 2100H,
WD: 125MM X 2 SETS
IF DOOR SIZE IS LESS THAN 700W X 2100H
WD: 100MM X 2 SETS

ALL MEASUREMENT SHALL BE MEASURED ON SITE BEFORE FABRICATION.



500 GAUGE POLYTHENE SHEET SHALL BE PROVIDED TO THE BOTTOM OF SLAB. COMPACTED SOIL UNDERNEATH GROUND SLAB

STRUCTURAL DETAILS
SCALE 1:20



DOORS AND WINDOW SCHEDULE
SCALE 1:50

FIRE POND PUMP HUT DETAILS