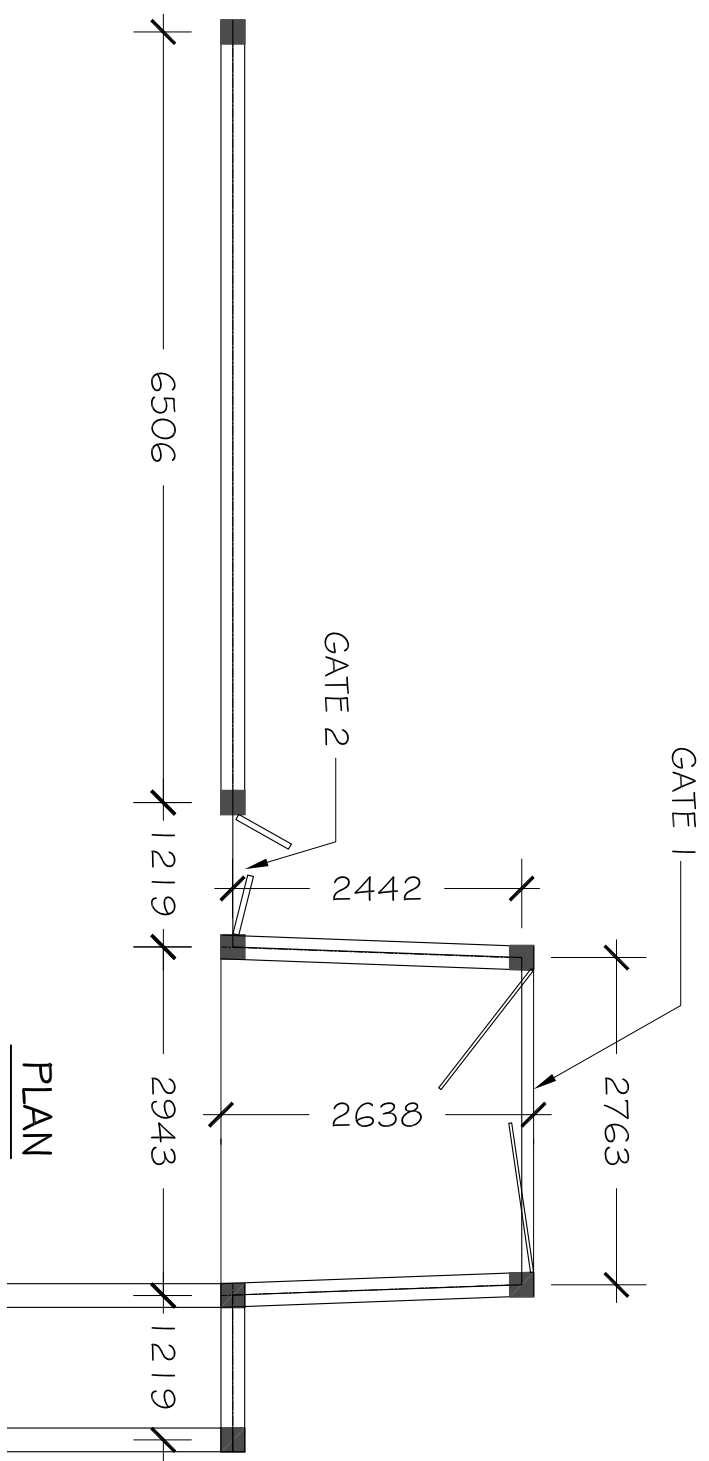
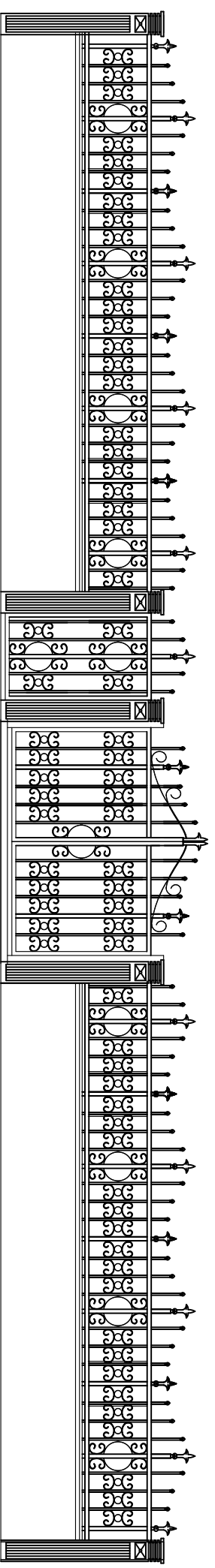


PROJECT :	BOUNDARY WALL FENCE WORKS
LOCATION :	ADDU CITY
CLIENT :	RUSHADHIYYA SCHOOL
DRAWN BY :	A.HASHIM
SHEET NO :	1/5

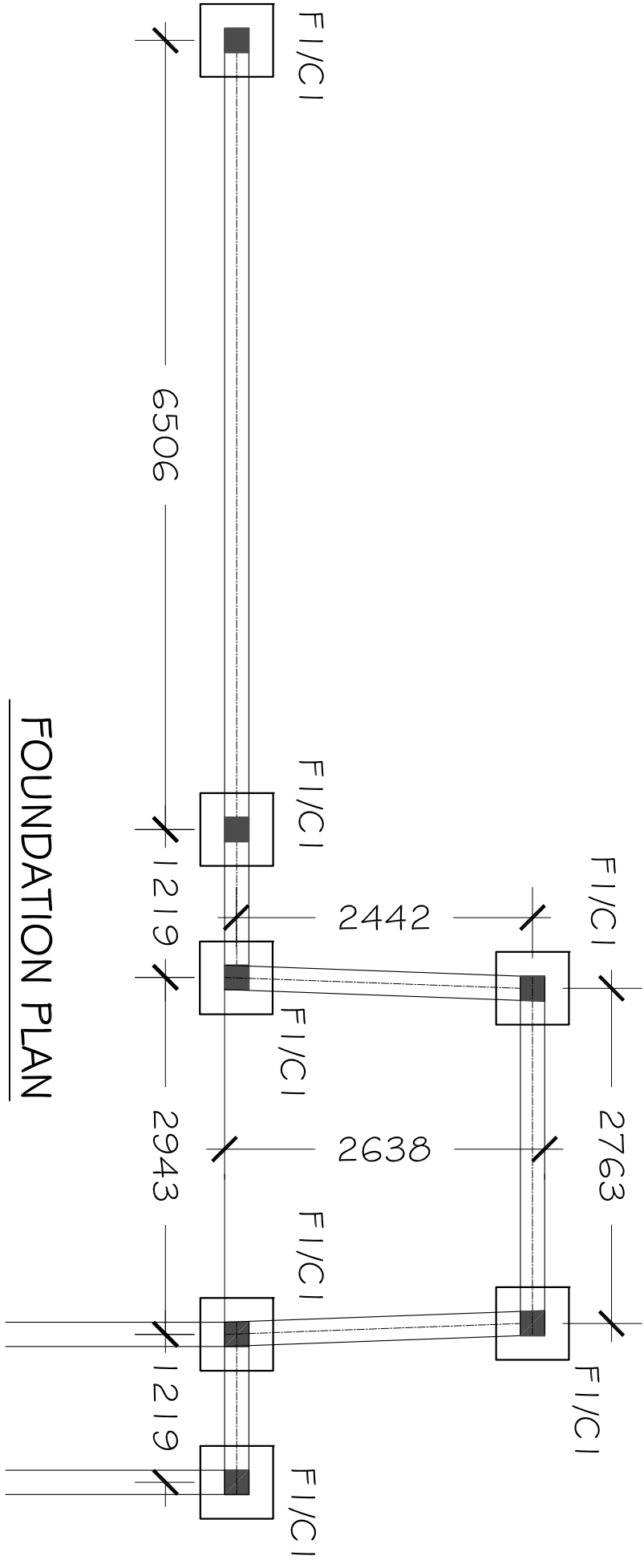


PLAN



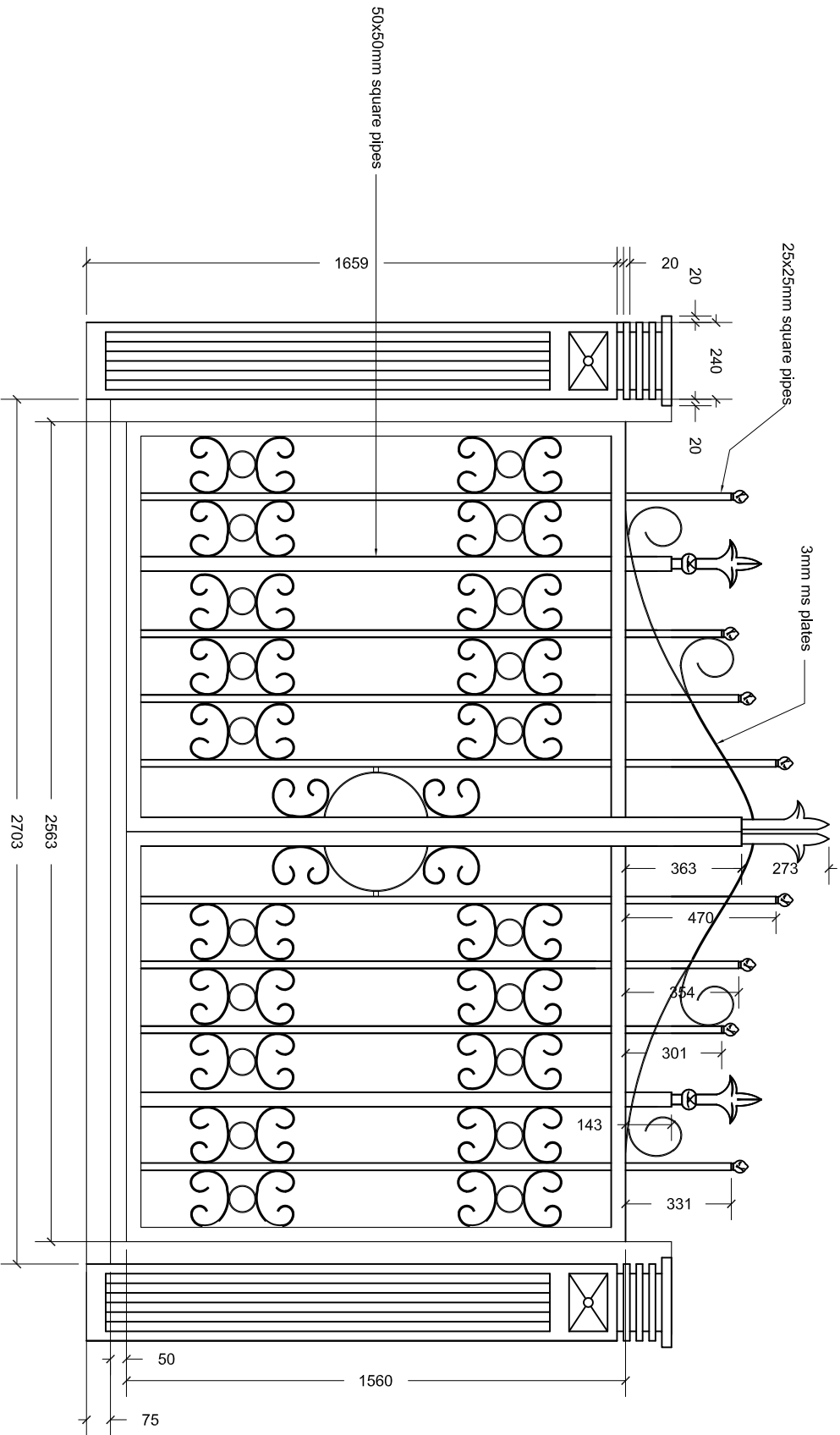
ELEVATION

PROJECT :	BOUNDARY WALL FENCE WORKS		
LOCATION :	ADDU CITY	CLIENT :	IRUSHADHIYYA SCHOOL
DRAWN BY :	A.HASHIM	SHEET NO :	2/5



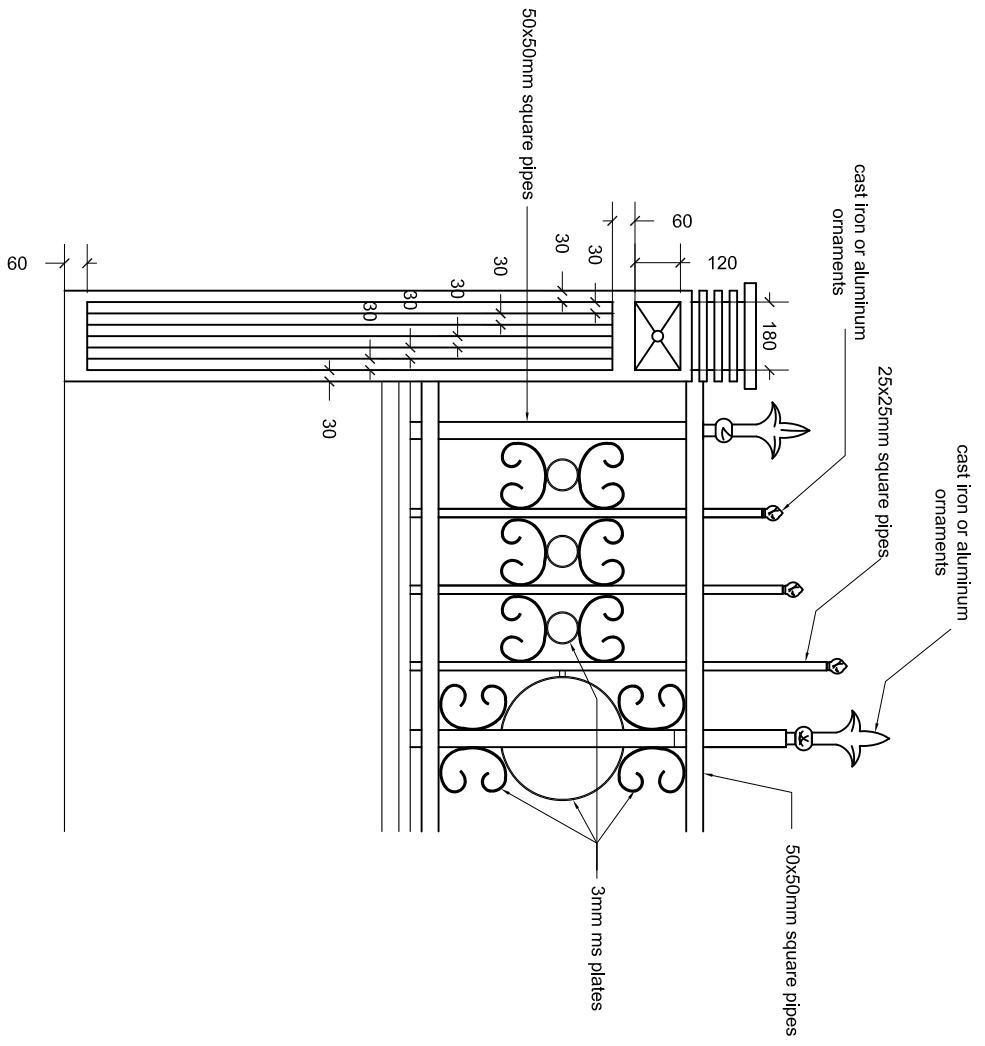
FOUNDATION PLAN

PROJECT :	BOUNDARY WALL FENCE WORKS
LOCATION :	ADDU CITY
DRAWN BY :	A.HASHIM
CLIENT :	RUSHADHIYYA SCHOOL
SHEET NO :	3/5

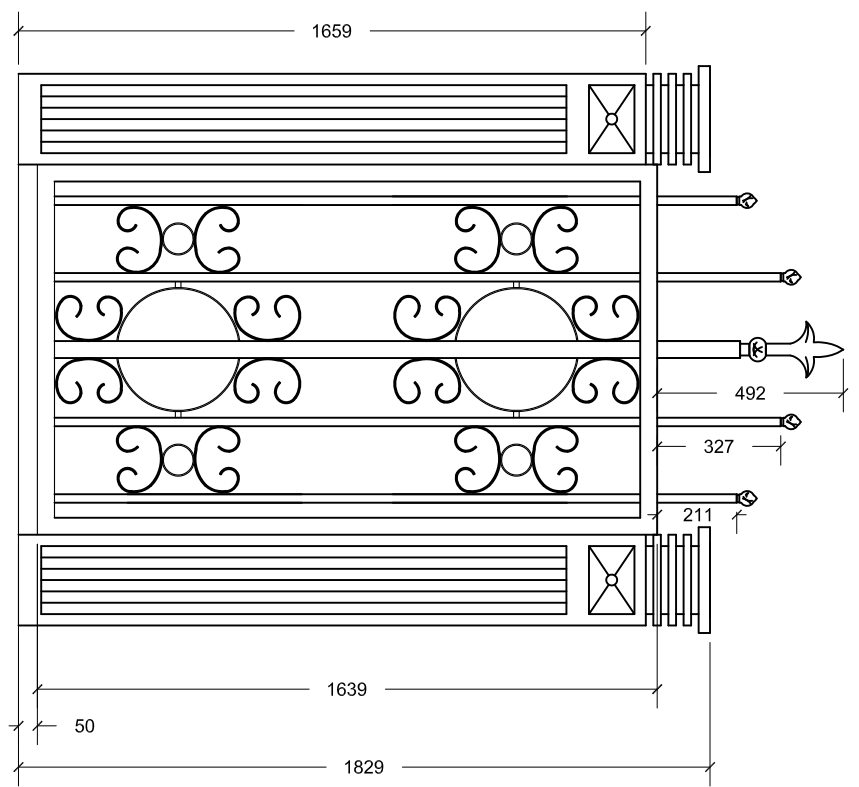


**GATE (1) DETAIL**  
SCALE 1:20

PROJECT :	BOUNDARY WALL FENCE WORKS	CLIENT :	IRUSHAADHIYYA SCHOOL
LOCATION :	ABDU CITY	DRAWN BY :	A.HASHIM
		SHEET NO :	4/5

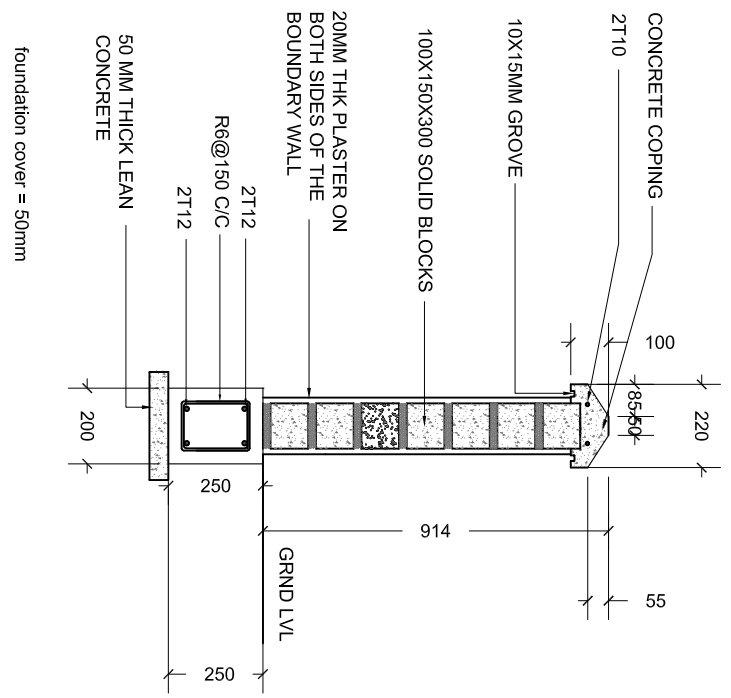


**WALL (ELEVATION)**  
SCALE 1:20

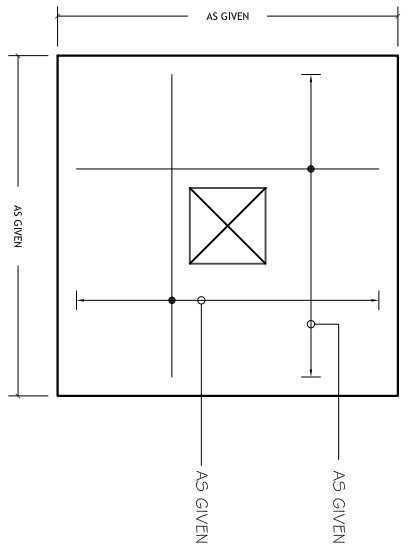
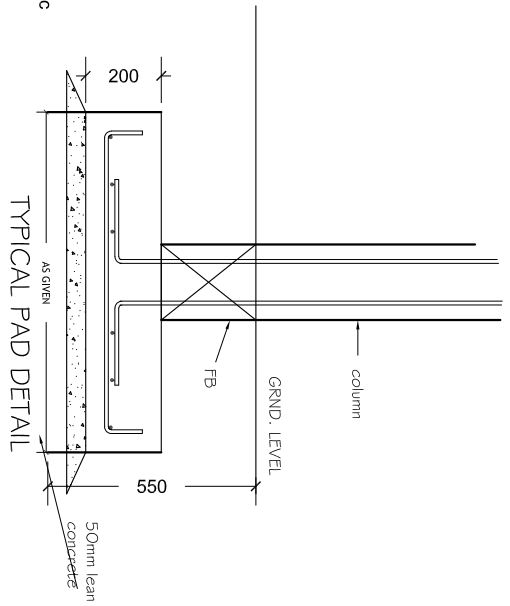
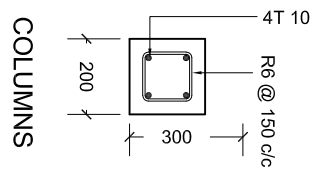


**GATE (2) DETAIL**  
SCALE 1:20

PROJECT :	BOUNDARY WALL FENCE WORKS
LOCATION :	ADDU CITY
DRAWN BY :	A.HASHIM
CLIENT :	RUSHADHIYYA SCHOOL
SHEET NO :	5/5



**WALL DETAIL**  
SCALE 1:20



TYPE	DIMENSIONS	REINFORCEMENT
F1	0.6 X 0.6 X 0.2	T10@150 C/C BW (BOTTOM)