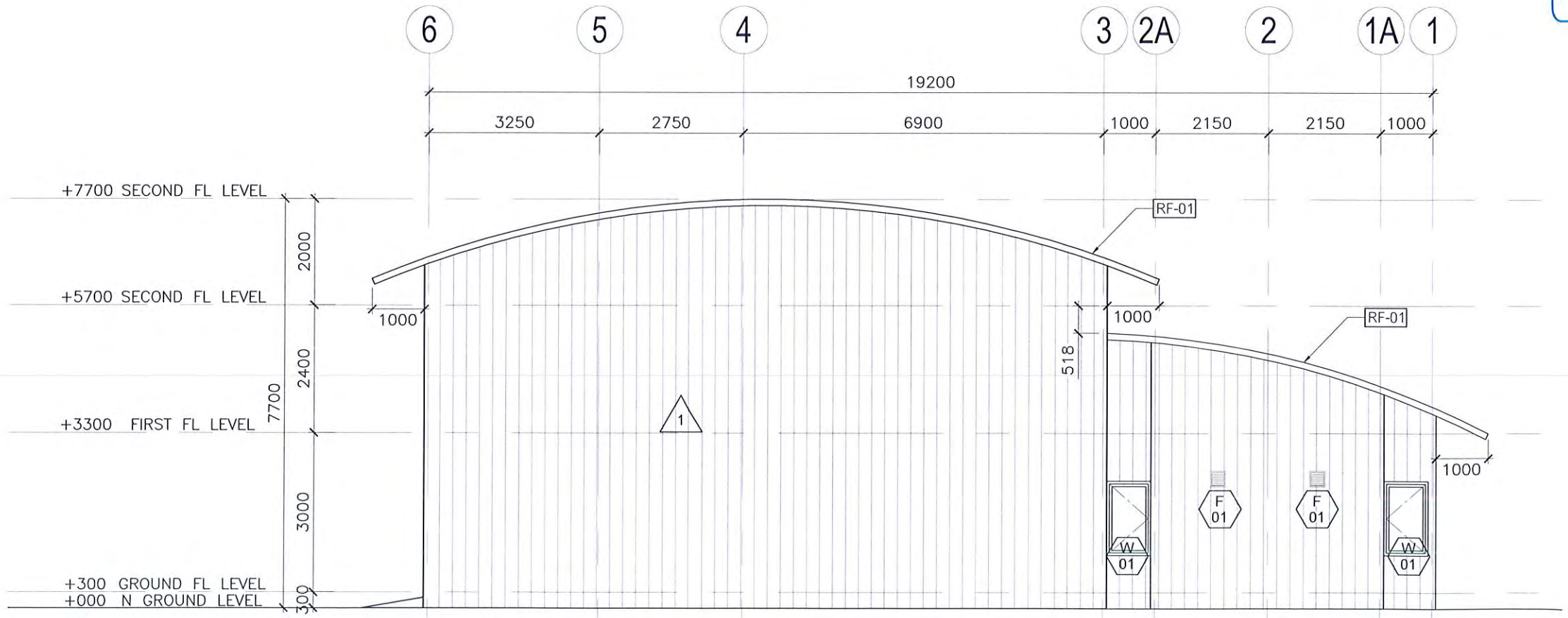


**ELEVATION 3**  
SCALE 1:100  
0 1 2 3 5 meters



  
 Ministry of Housing & Infrastructure  
**ACCREDITED CHECKER**  
**STRUCTURAL CHECKER A1**  
 Name: Mohamed Ahsan      VALIDITY: 11.05.18 - 10.05.19  
 Accredited No: BPR2018008A1      A1-2018-008-001



**ELEVATION 4**  
SCALE 1:100  
0 1 2 3 5 meters

  
**Coreline**  
 Maldives Pvt. Ltd.

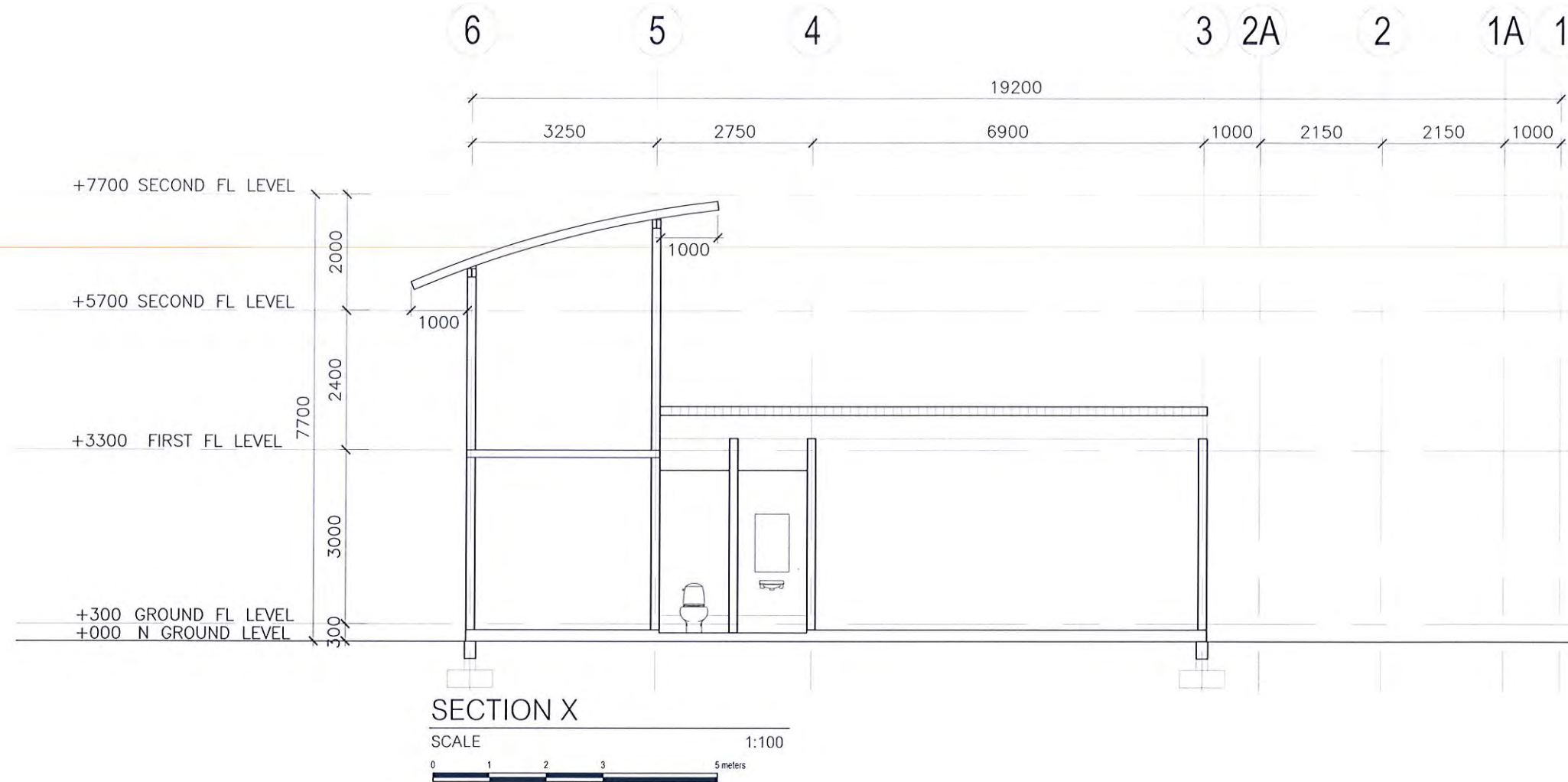
PROJECT:  
 SH. FUNADHOO  
 AIRPORT FIRE STATION

BY:  
 CORELINE MALDIVES PVT. LTD.  
 H. MAA' ALI 1ST FLOOR, 20060  
 HENVEIRU, MALE / MALDIVES

TITLE:  
 AS GIVEN

DRAWN BY:	MK
DESIGN BY:	360 CONSULTANT GROUP
DRAWING NO:	005
SCALE:	AS SHOWN
DATE:	APRIL 2018
CHECKED BY:	

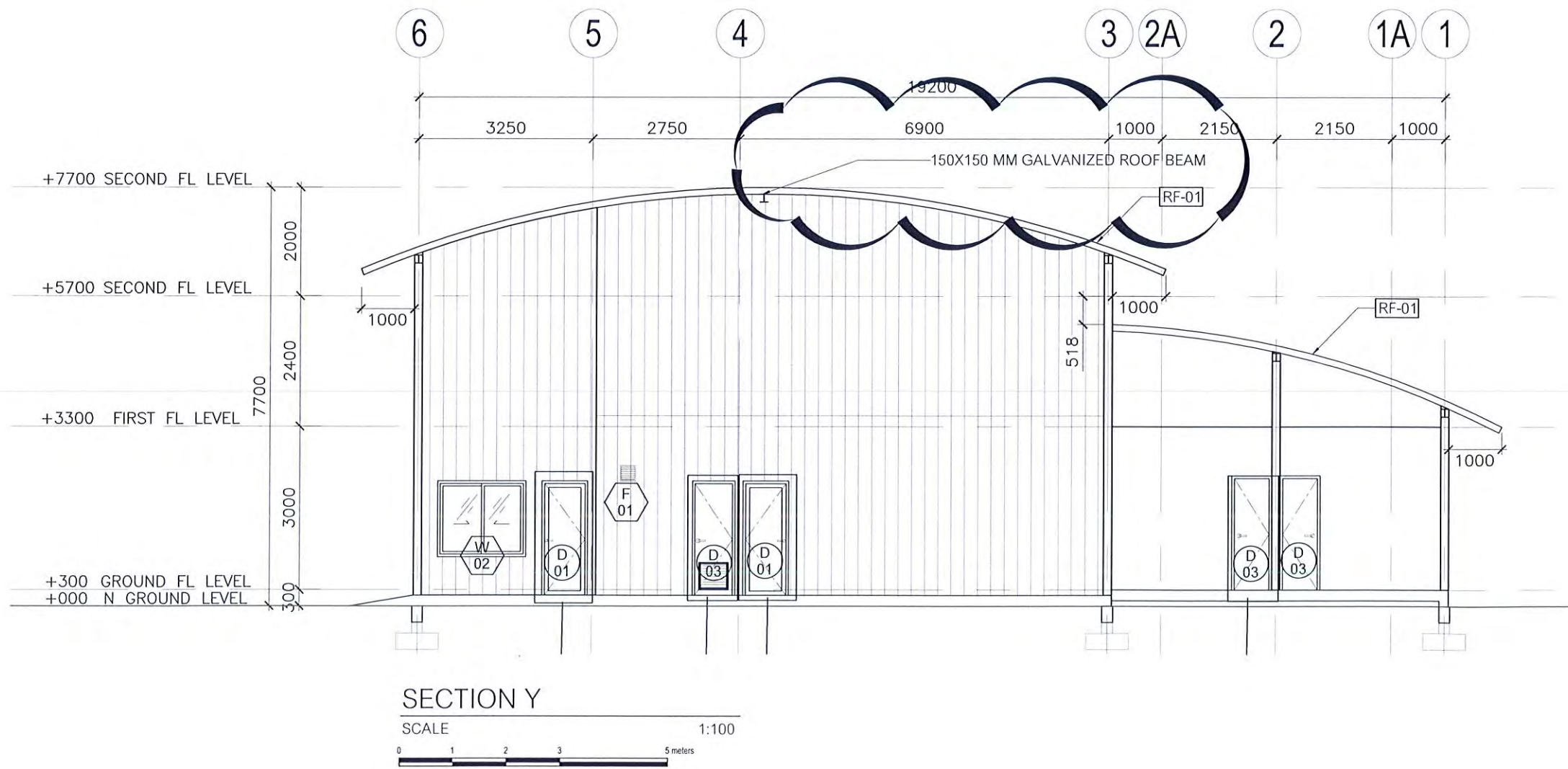
  
**REGIONAL AIRPORTS**  
 MIN. OF TOURISM  
 MALE  
 REP. OF MALDIVES  
 TEL 323805, FAX 320911  
 Email: regional@airports.gov.mv



**SECTION X**  
SCALE 1:100  
0 1 2 3 5 meters



Ministry of Housing & Infrastructure  
**ACCREDITED CHECKER**  
**STRUCTURAL CHECKER A1**  
Name: Mohamed Ahsan VALIDITY: 11.05.18 - 10.05.19  
Accredited No: BPR2018008A1 A1-2018-008-001



**SECTION Y**  
SCALE 1:100  
0 1 2 3 5 meters

**Coreline**  
Maldives Pvt. Ltd.

PROJECT:  
SH. FUNADHOO  
AIRPORT FIRE STATION

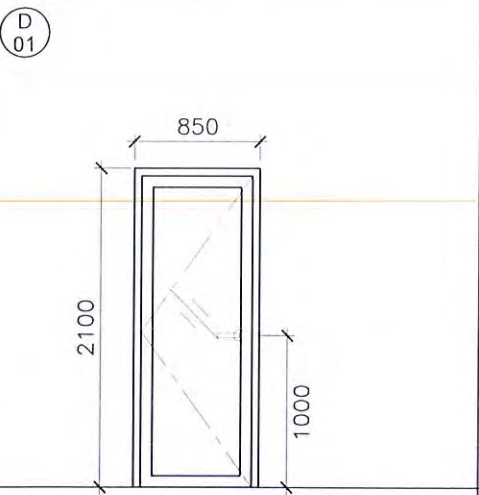
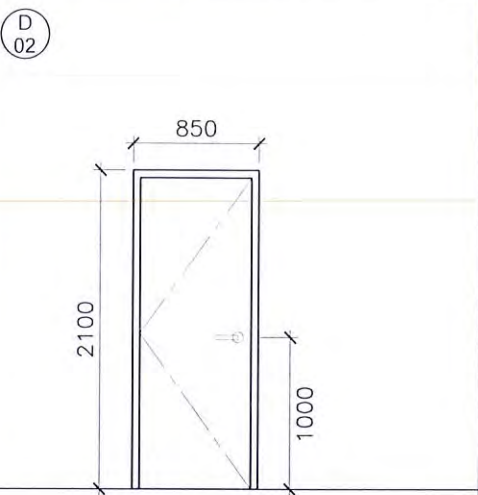
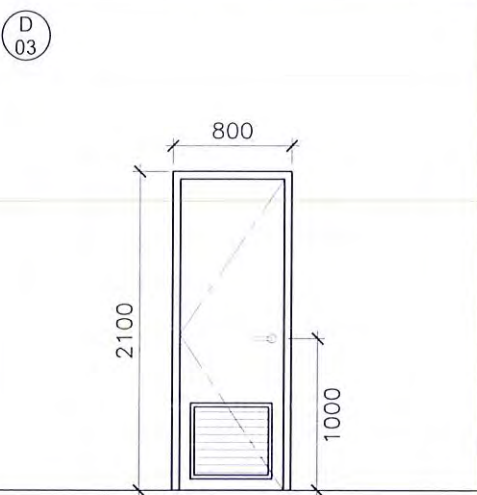
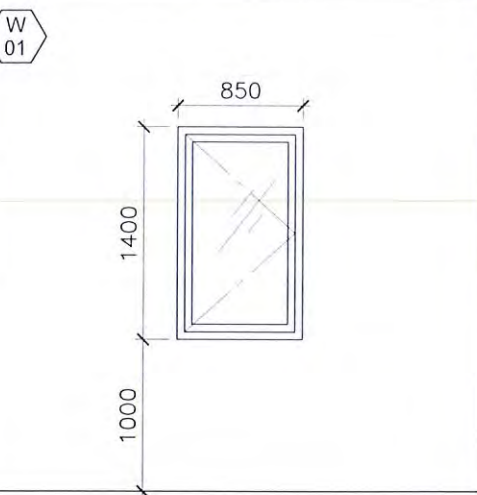
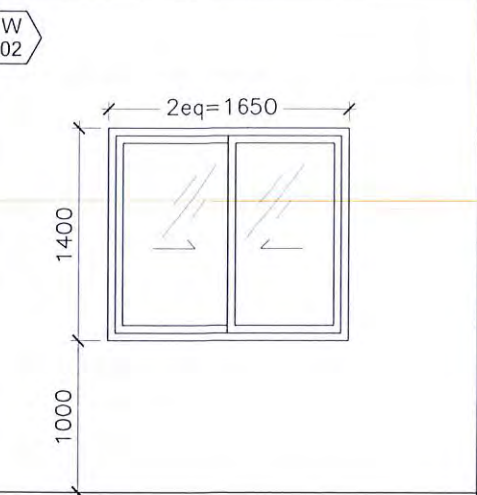
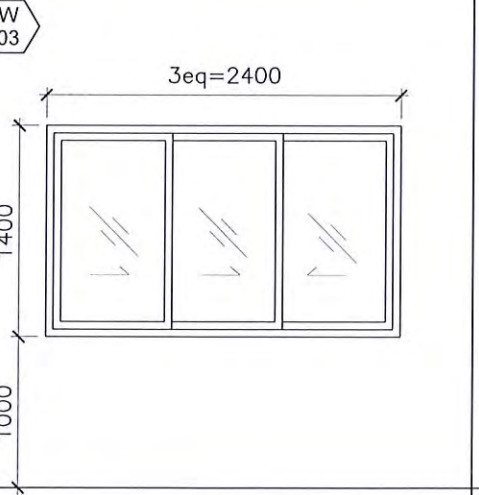
BY:  
CORELINE MALDIVES PVT. LTD.  
H. MAA' ALI 1ST FLOOR, 20060  
HENVEIRU, MALE' / MALDIVES

TITLE:  
**AS GIVEN**

DRAWN BY:	MK
DESIGN BY:	360 CONSULTANT GROUP
DRAWING NO:	006
SCALE:	AS SHOWN
DATE:	APRIL 2018
CHECKED BY:	

**REGIONAL AIRPORTS**  
MIN. OF TOURISM

MALE'  
REP. OF MALDIVES  
TEL. 323805, FAX. 320911  
Email: regional@airports.gov.mv

DOOR SCHEDULE	D1 - SWING DOOR	D2 - SWING DOOR	D3 - SWING DOOR	W1-SWING WINDOW	W2-SLIDING WINDOW
DOOR TYPE					
LOCATION	EXERCISE ROOM, CCR ROOM, OFFICE	ROOM 1 2 3 4 WAITING AREA	TOILET 1 2 3 4 5	ROOM 1 2 3 4	EXERCISE ROOM, CCR ROOM, OFFICE
SIZE: EACH LEAF (W x H x THK)	850mm x 2100mm X 40mm	850mm x 2100mm X 40mm	750mm x 2100mm X 40mm	1400mm x 850mm	1700mm x 1650mm
ACTION (DOUBLE / SINGLE)	MANUAL	MANUAL	MANUAL	MANUAL	MANUAL
CONSTRUCTION/ FINISHES	HOLLOW CORE WITH PINE WOOD STAINED FINISH / 6 MM CLEAR GLASS	HOLLOW CORE WITH PINE WOOD STAINED FINISH	HOLLOW CORE WITH PINE WOOD STAINED FINISH	6MM CLEAR GLASS	6MM CLEAR GLASS
DOOR FRAME TYPE	GALVANIZED RHS IN WHITE PAINTED FINISH	GALVANIZED RHS IN WHITE PAINTED FINISH	GALVANIZED RHS IN WHITE PAINTED FINISH	BLACK POWDER COATED / BLACK UPVC FRAME	BLACK POWDER COATED / BLACK UPVC FRAME
DOOR SEAL / DROP SEAL					
VENTILATION GRILLE					
SIGNAGE					
REMARKS					
DOOR SCHEDULE	W3-SLIDING DOOR				
DOOR TYPE					
LOCATION	ROOM 1 3				
SIZE: EACH LEAF (W x H x THK)	1400mm x 2400mm				
ACTION (DOUBLE / SINGLE)	MANUAL				
CONSTRUCTION/ FINISHES	6MM CLEAR GLASS				
DOOR FRAME TYPE	BLACK POWDER COATED / BLACK UPVC FRAME				
DOOR SEAL / DROP SEAL					
VENTILATION GRILLE					
SIGNAGE					
REMARKS					

NOTE:  
 G: 6mm thk. Clear glazing    FG: 6mm thk. Clear glazing  
 T: Timber    AL: Anodized Aluminium Louvre    PL: Teak Plywood  
 PVC: Readymade PVC door & panel    GL: Clear glass louvre

**GENERAL NOTES**

Dimension shown on drawings indicates effective openings of frame. All wooden frame depths are 100mm. Wooden door panel thickness = 35mm.

External units must comply the following weather conditions:-Wind pressure: 200Kg/sqm. -Water tightness: 25Kg/sqm.

All external frames/ wall joints must be sealed with silicon sealant and wedges trimmed with 12x12 mm H/W beading fixed to frames by brass nails.

All hardwood shall be provided for the performance of all functions of the units.

All measurements to be checked on site



Ministry of Housing & Infrastructure  
**ACCREDITED CHECKER**  
**STRUCTURAL CHECKER A1**  
 Name: Mohamed Ahsan  
 Accredited No: BPP2018008A1  
 Validity: 11.05.18 - 10.05.19  
 At: 2018-008-001

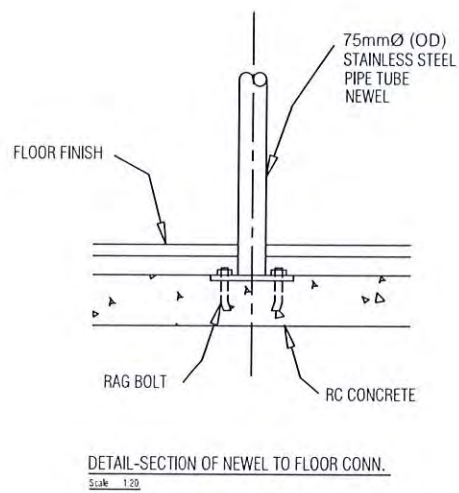
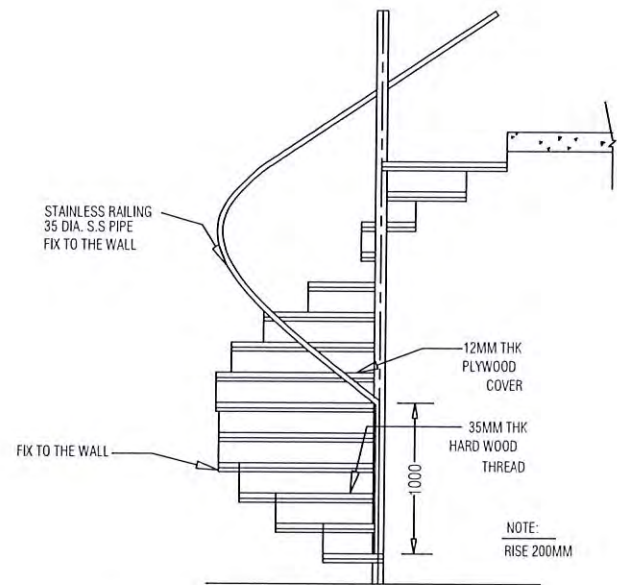
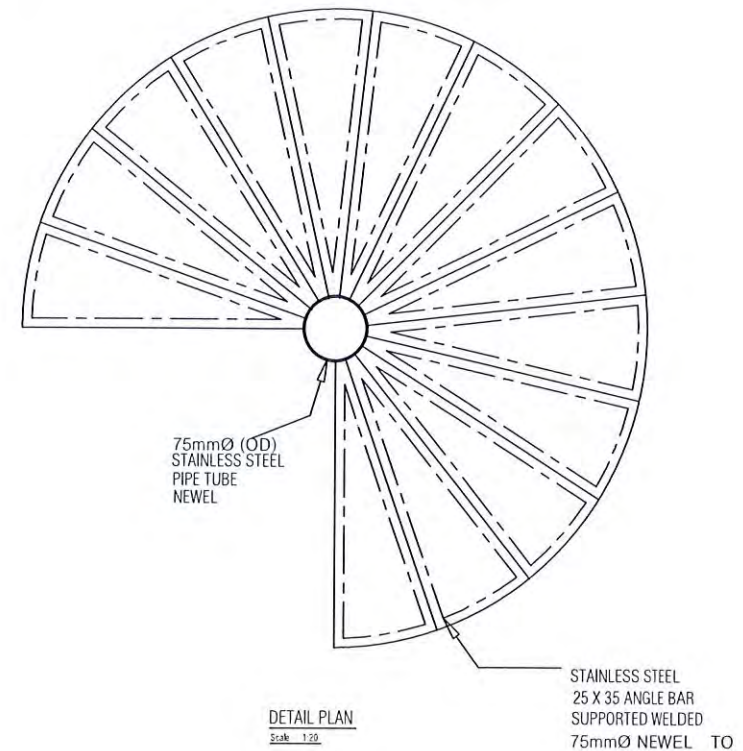
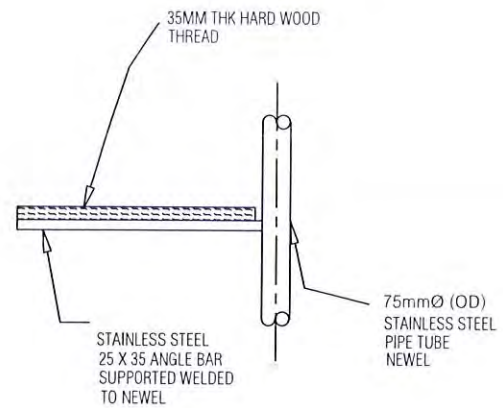
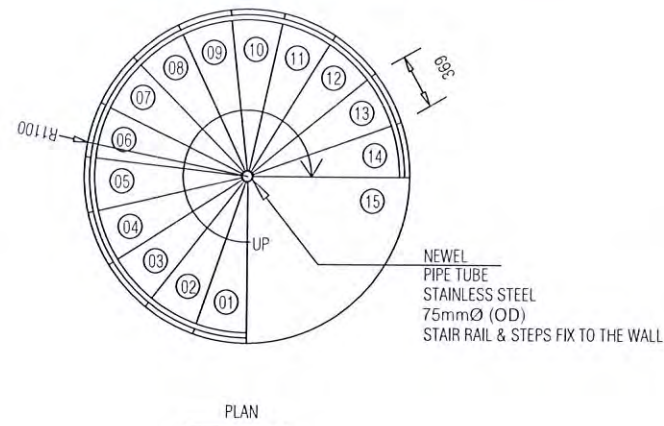


PROJECT:  
**SH. FUNADHOO AIRPORT FIRE STATION**

BY:  
 CORELINE MALDIVES PVT. LTD.  
 H. MAA' ALI 1ST FLOOR, 20060  
 HENVEIRU, MALE' / MALDIVES

TITLE:  
**AS GIVEN**

DRAWN BY:	MK
DESIGN BY:	360 CONSULTANT GROUP
DRAWING NO:	007
SCALE:	AS SHOWN
DATE:	APRIL 2018
CHECKED BY:	



DETAIL DRAWING-1  
Scale: 1:50



**APPROVED**



STAIRCASE DETAIL  
SCALE 1:50



PROJECT:  
SH. FUNADHOO  
AIRPORT FIRE STATION

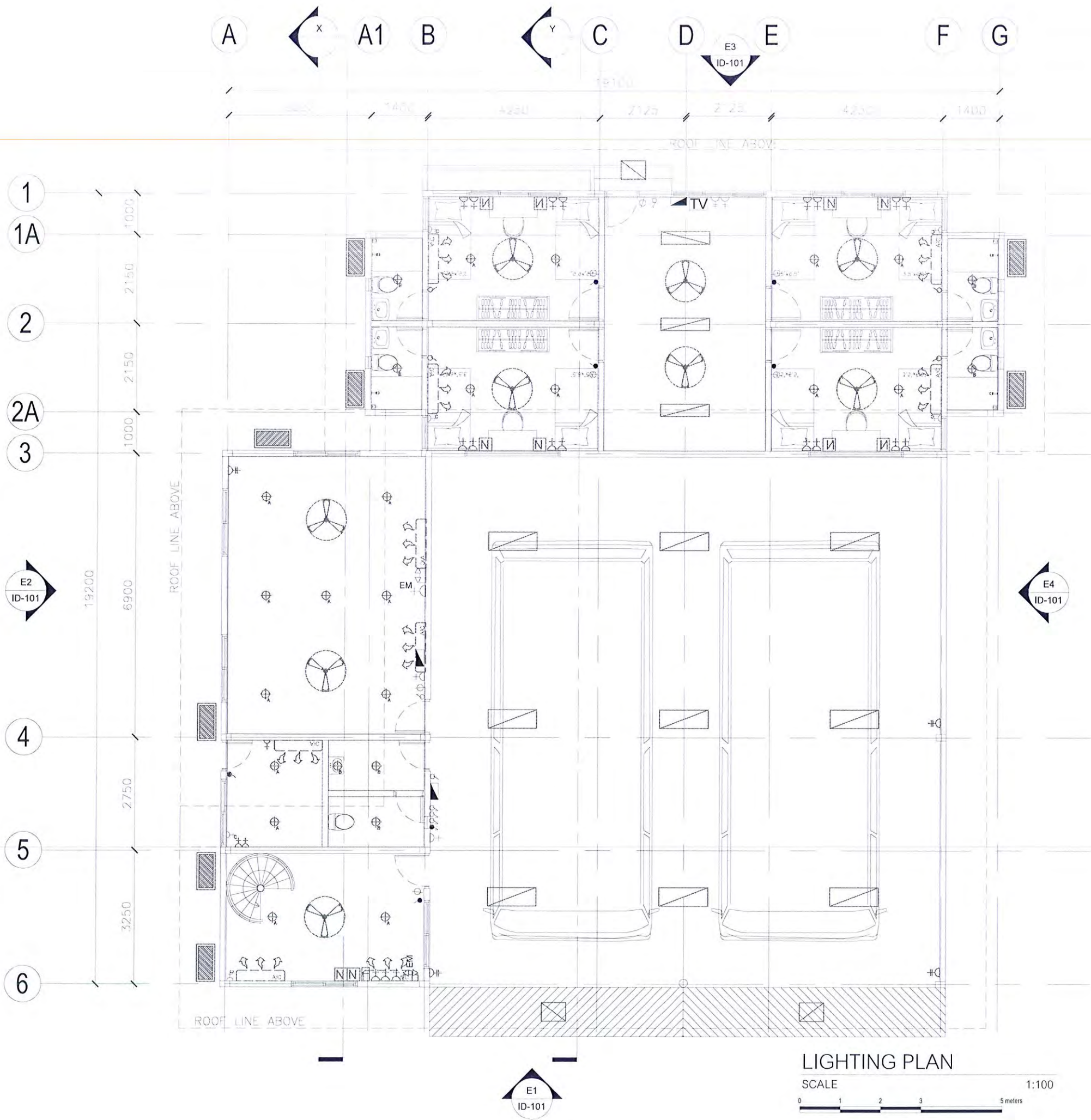
BY:  
CORELINE MALDIVES PVT. LTD.  
H. MAA' ALI 1ST FLOOR, 20060  
HENVEIRU, MALE' / MALDIVES

TITLE:  
AS GIVEN

DRAWN BY:	MK
DESIGN BY:	360 CONSULTANT GROUP
DRAWING NO:	008
SCALE:	AS SHOWN
DATE:	APRIL 2018
CHECKED BY:	

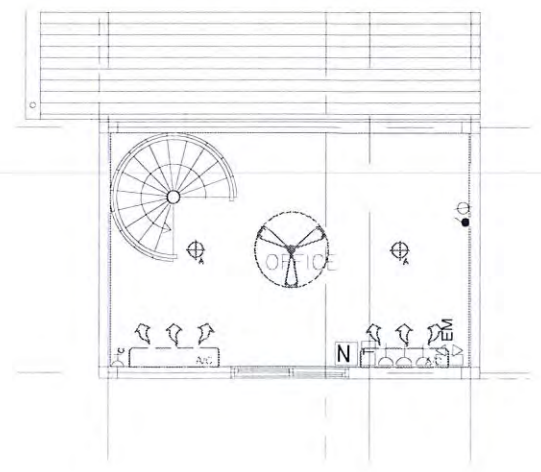
REGIONAL AIRPORTS  
MIN. OF TOURISM

MALE'  
REP. OF MALDIVES  
TEL: 323805, FAX: 320911  
Email: regional@airports.gov.mv



- LEGENDS**
- DISTRIBUTION BOX
  - 4FT FLOURECENT TUBE LIGHT 2 NOS. MIRRORRED LOUVRE TYPE
  - 2FT FLOURECENT TUBE LIGHT 2 NOS. MIRRORRED LOUVRE TYPE
  - OUT DOOR CEILING LIGHT
  - CEILING RECESSED LIGHTS
  - CEILING RECESSED LIGHTS WITH GLASS DIFFUSER
  - SWITCH 3GANG
  - SWITCH SINGLE GANG
  - SWITCH 2 GANG
  - 13A SOCKET OUTLET SINGLE GANG  
250MM ABOVE F.FLOOR LEVEL)
  - 15A SOCKET OUTLET DOUBLE GANG  
250MM ABOVE F.FLOOR LEVEL)
  - 15A SOCKET OUTLET SINGLE GANG  
300MM BELOW CEILING LEVEL)
  - CEILING FAN
  - FANCONTROL (REGULATOR)
  - EMERGENCY LIGHT
  - EMERGENCY LIGHT SOCKET OUTLET
  - TELEPHONE SOCKET
  - TELEVISION POINT(CABLE TV)
  - A/C INDOOR WALL UNITS (9000 BTU)
  - A/C OUTDOOR UNIT

**NOTE:**  
 ALL WIRING TO BE OF STELCO APPROVED STANDARDS  
 FLOOR LEVEL SOCKETS = 300MM FROM FLOOR FIN. LEVELL  
 SOCKETS = 1100MM - 1200MM FROM FLOOR FIN. LEV  
 KITCHEN SOCKETS = 1150 - 1250MM FROM FLOOR FIN. LEVEL  
 A/C / WH / EM / WP SOCKETS = 2500MM - 2700MM FROM FLOOR FIN. LEVEL  
 ALL THE WIRING MUST BE WITH FLEXIBLE CONDUIT PIPE.



**Ministry of Housing & Infrastructure**  
**ACCREDITED CHECKER**  
**STRUCTURAL CHECKER A1**  
 Name: Mohamed Ahsan      VALIDITY: 11.05.18 - 10.05.19  
 Accredited No: BPR2018008A1      A1-2018-008-001



**PROJECT:**  
 SH. FUNADHOO  
 AIRPORT FIRE STATION

**BY:**  
 CORELINE MALDIVES PVT. LTD.  
 H. MAA' ALI 1ST FLOOR, 20050  
 HENVEIRU, MALE / MALDIVES

**TITLE:**  
 AS GIVEN

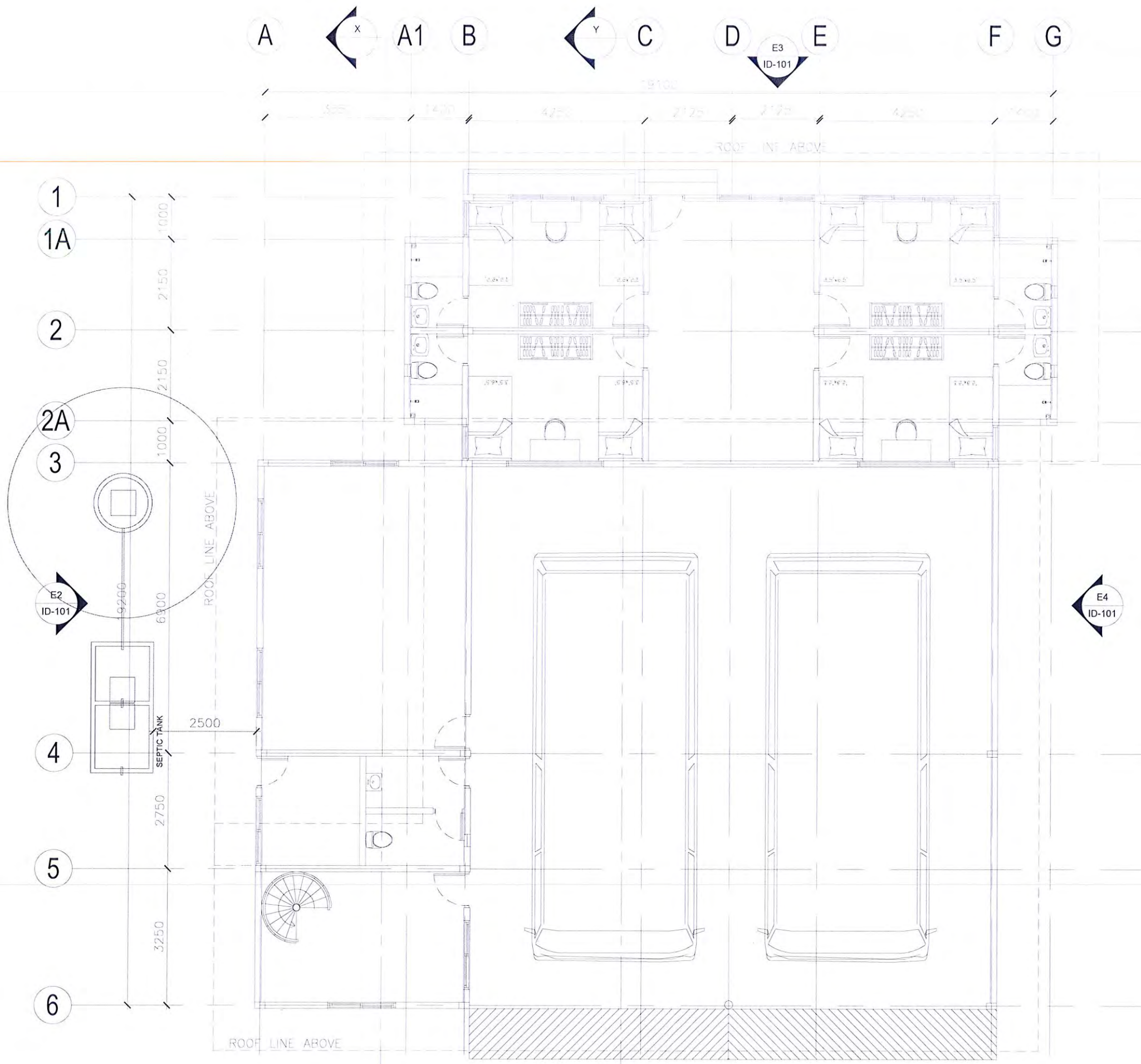
<b>DRAWN BY:</b>	MK
<b>DESIGN BY:</b>	360 CONSULTANT GROUP
<b>DRAWING NO:</b>	009
<b>SCALE:</b>	AS SHOWN
<b>DATE:</b>	APRIL 2018
<b>CHECKED BY:</b>	



**REGIONAL AIRPORTS**  
 MIN. OF TOURISM

MALE  
 REP. OF MALDIVES  
 TEL. 323805, FAX: 320911  
 Email: regional@airports.gov.mv

**LIGHTING PLAN**  
 SCALE 1:100  
 0 1 2 3 5 meters



  
**Ministry of Housing & Infrastructure**  
**ACCREDITED CHECKER**  
**STRUCTURAL CHECKER A1**  
 Name: Mohamed Ahsan      VALIDITY: 11.05.18 - 10.05.19  
 Accredited No: BPR2018008A1      A1-2018-008-001



PROJECT:  
 SH. FUNADHOO  
 AIRPORT FIRE STATION  
  
 BY:  
 CORELINE MALDIVES PVT. LTD.  
 H. MAA' ALI 1ST FLOOR, 20060  
 HENVEIRU, MALE / MALDIVES  
  
 TITLE:  
 AS GIVEN

DRAWN BY:	MK
DESIGN BY:	360 CONSULTANT GROUP
DRAWING NO:	010
SCALE:	AS SHOWN
DATE:	APRIL 2018
CHECKED BY:	

  
**REGIONAL AIRPORTS**  
 MIN. OF TOURISM  
 MALE  
 REP. OF MALDIVES  
 TEL. 323805, FAX. 320911  
 Email: regional@airports.gov.mv

**PLUMBING REFERENCE LAYOUT**  
 SCALE 1:100  
