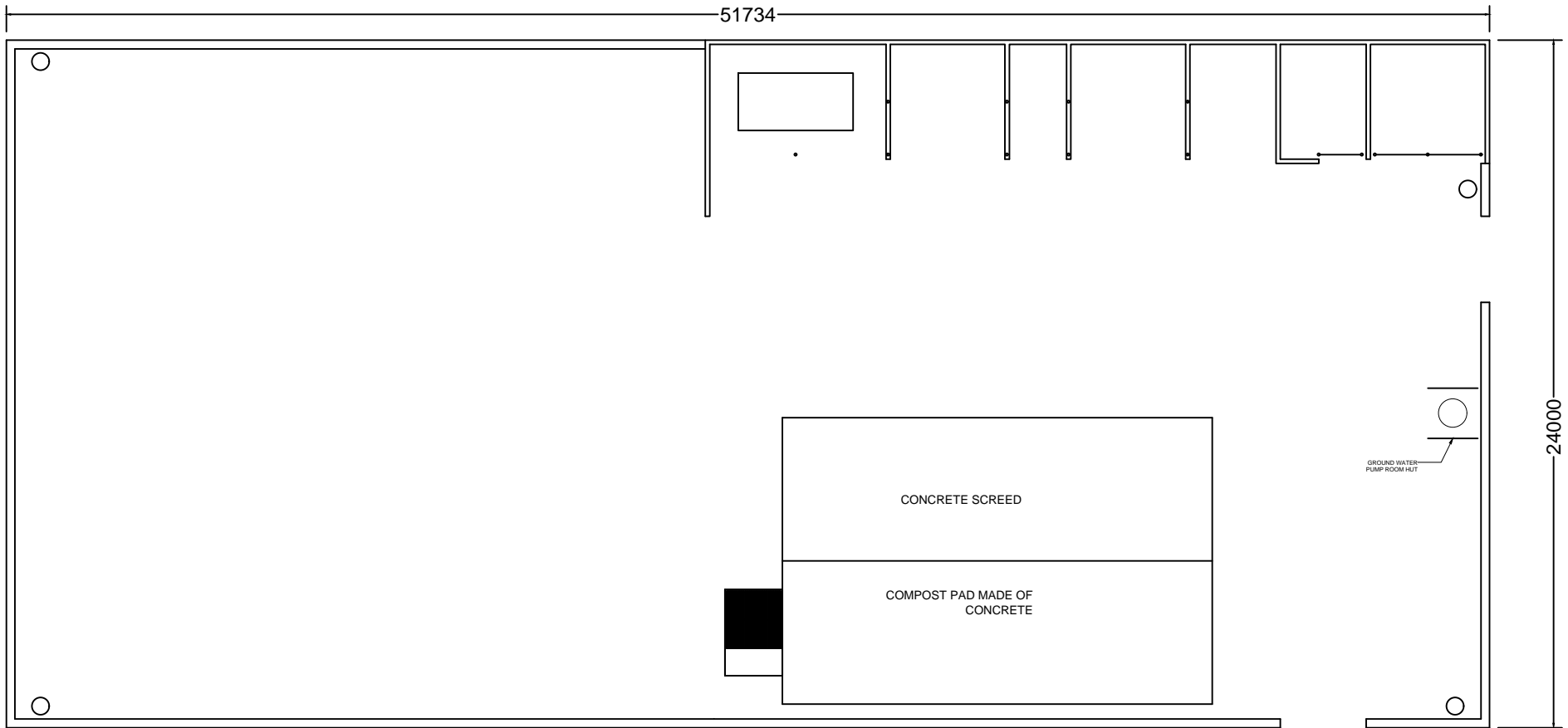




PROJECT:
CONSTRUCTION OF
AN ISLAND WASTE MANAGEMENT CENTRE
For GDH. HOADEDHDHOO

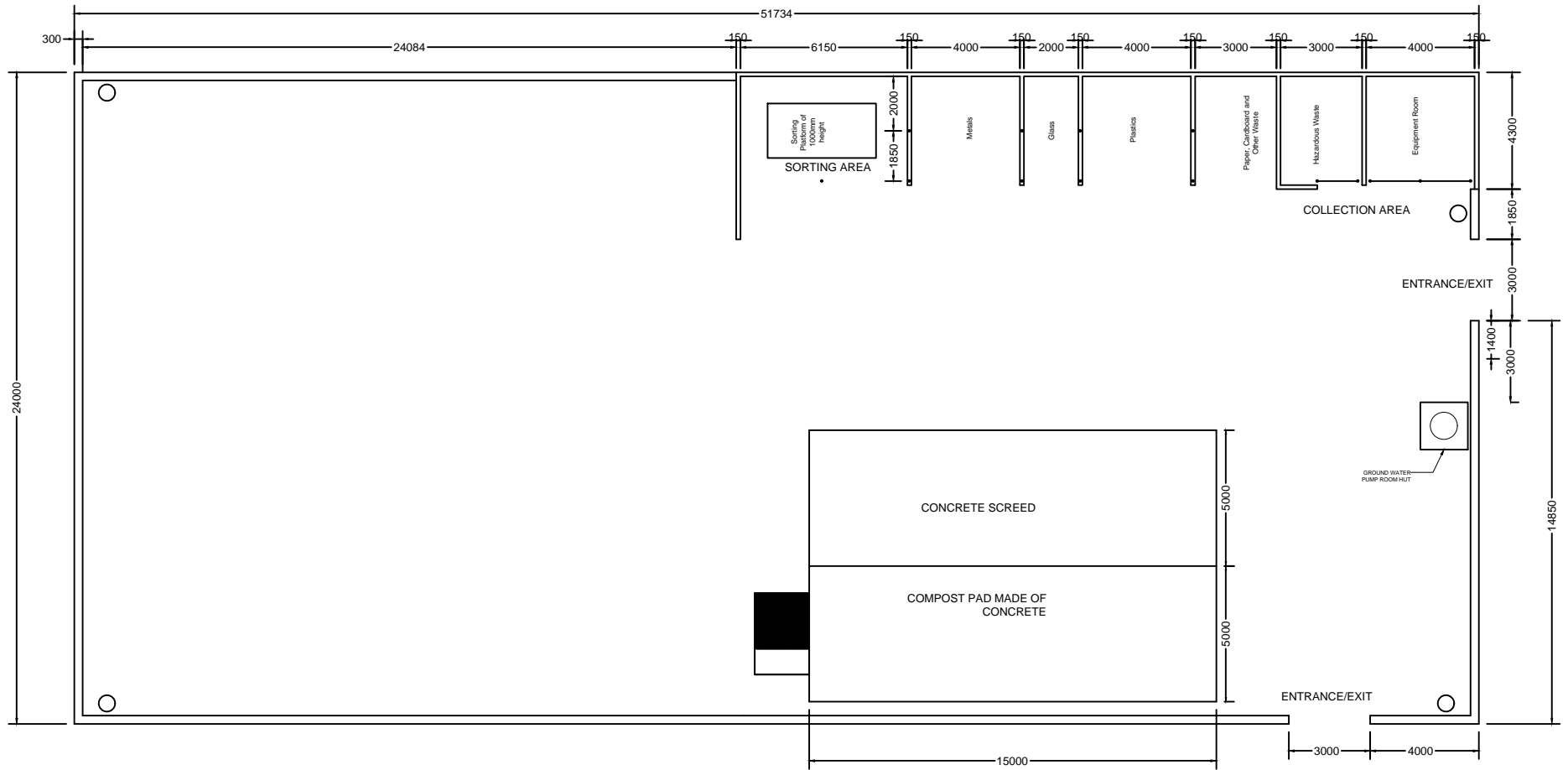
PREPARED BY:
WASTE MANAGEMENT AND POLLUTION CONTROL DEPARTMENT
MINISTRY OF ENVIRONMENT AND ENERGY

OCTOBER 2019

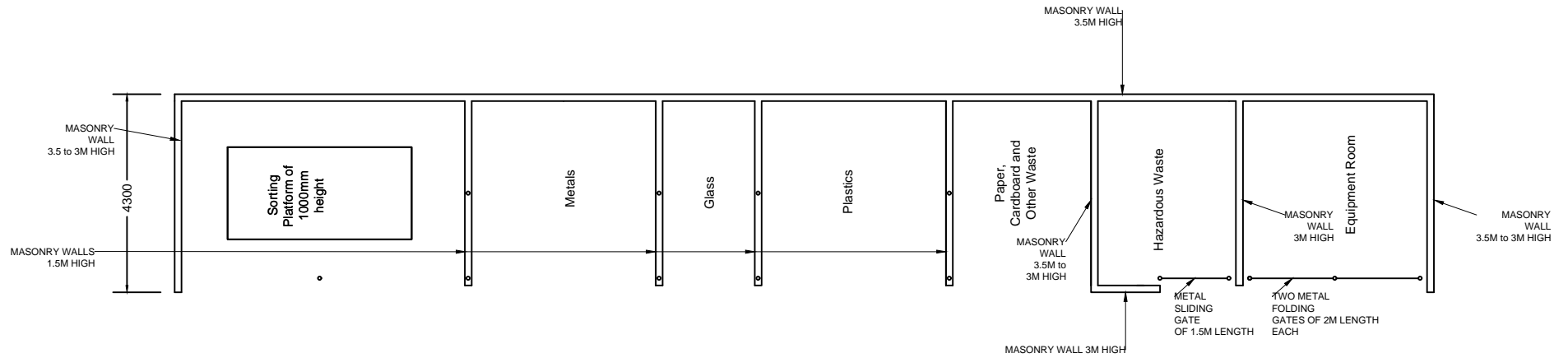


SITE LAYOUT



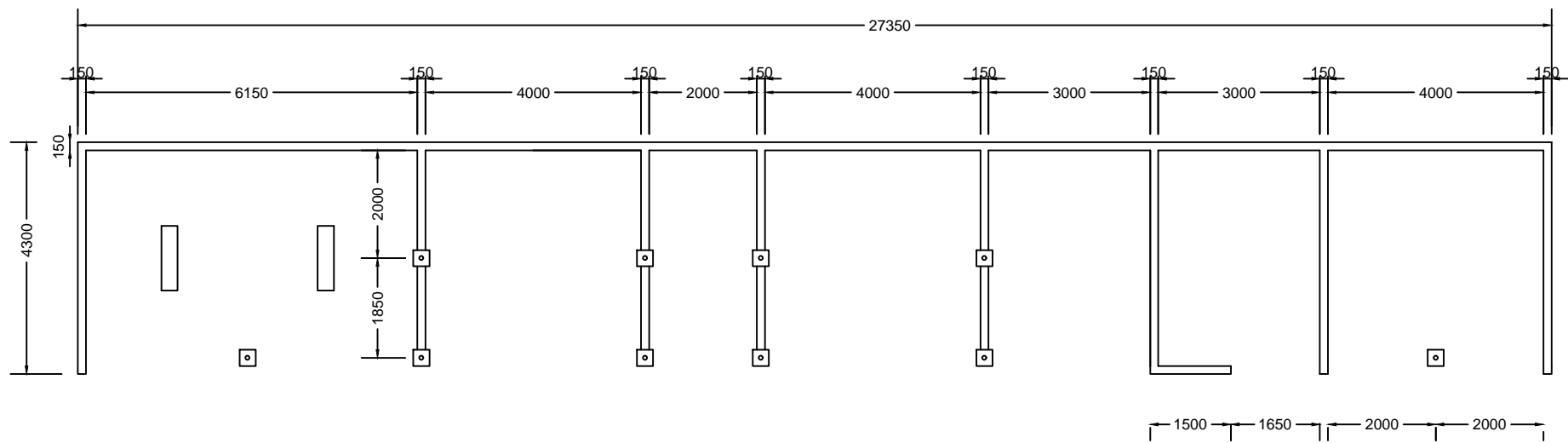


SITE LAYOUT



COLLECTION BAY - PLANS

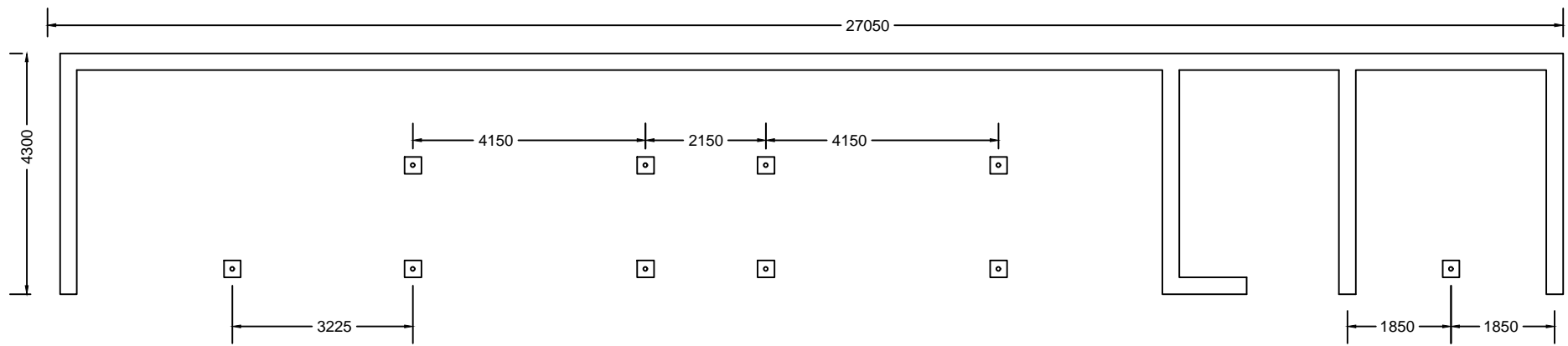




FLOOR PLAN

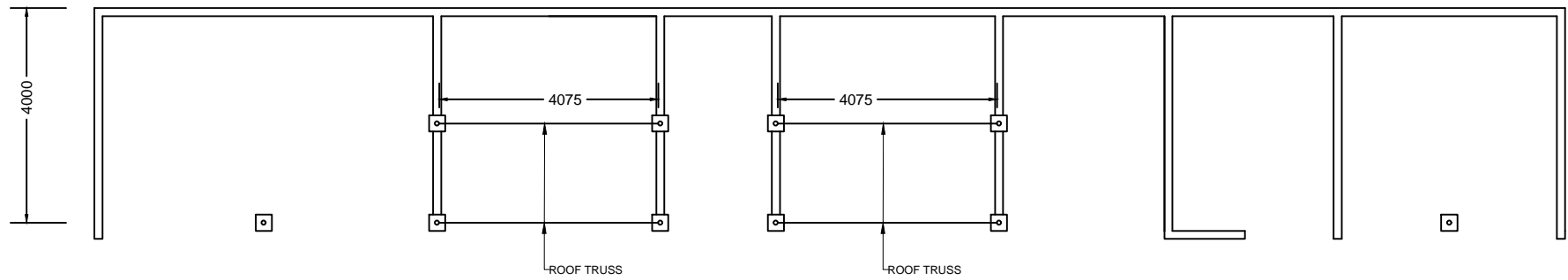
COLLECTION BAY - FLOOR PLAN





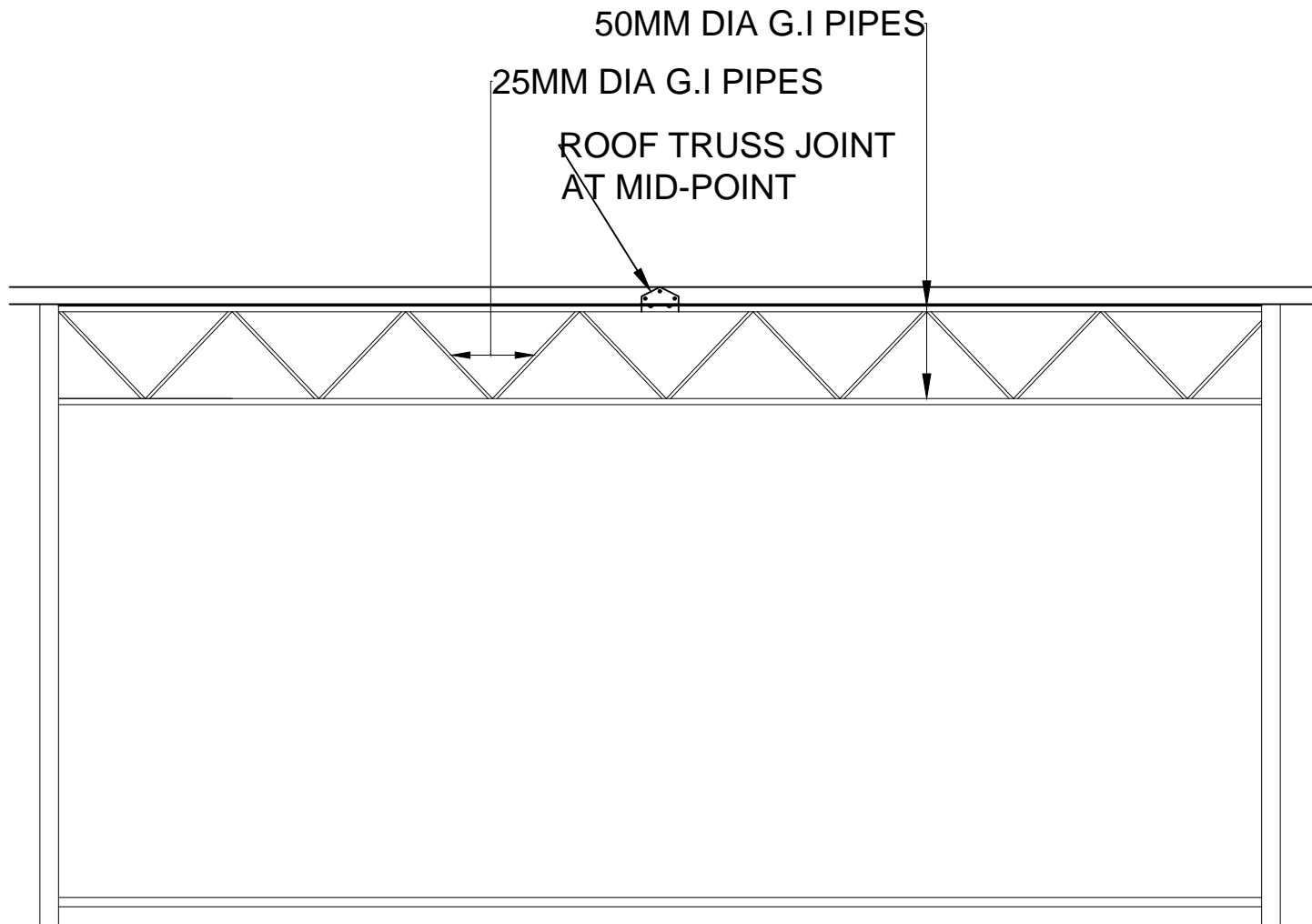
COLLECTION BAY - FOUNDATION PLAN



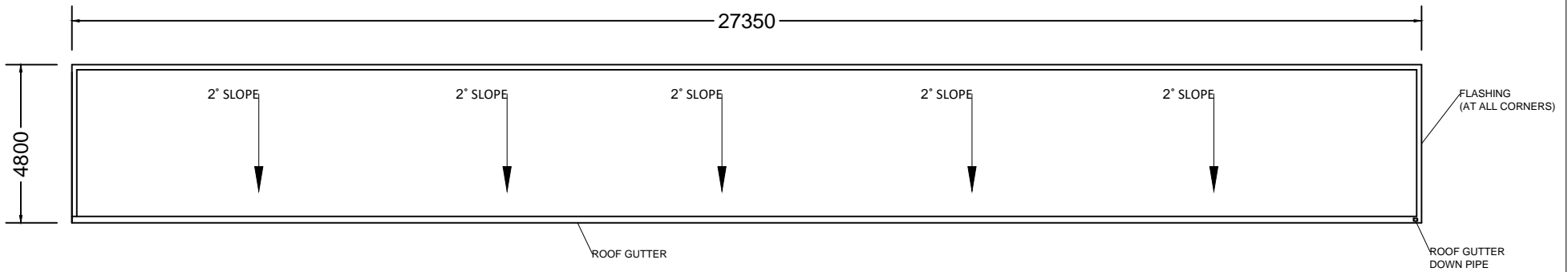


COLLECTION BAY - ROOF TRUSS PLAN





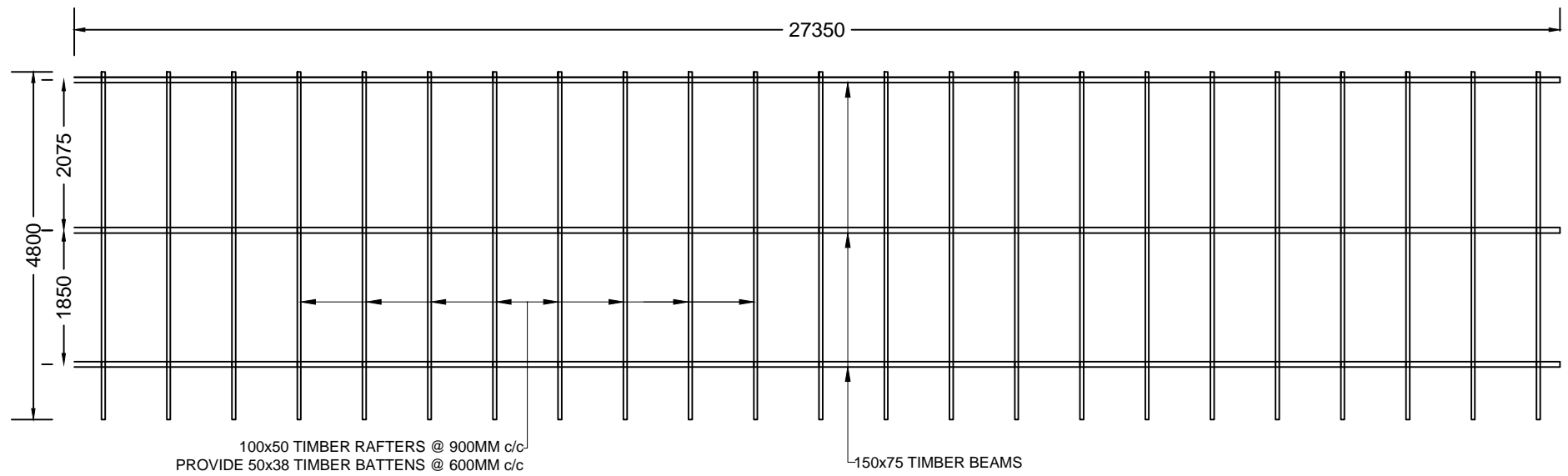
COLLECTION BAY - TRUSS DETAILS



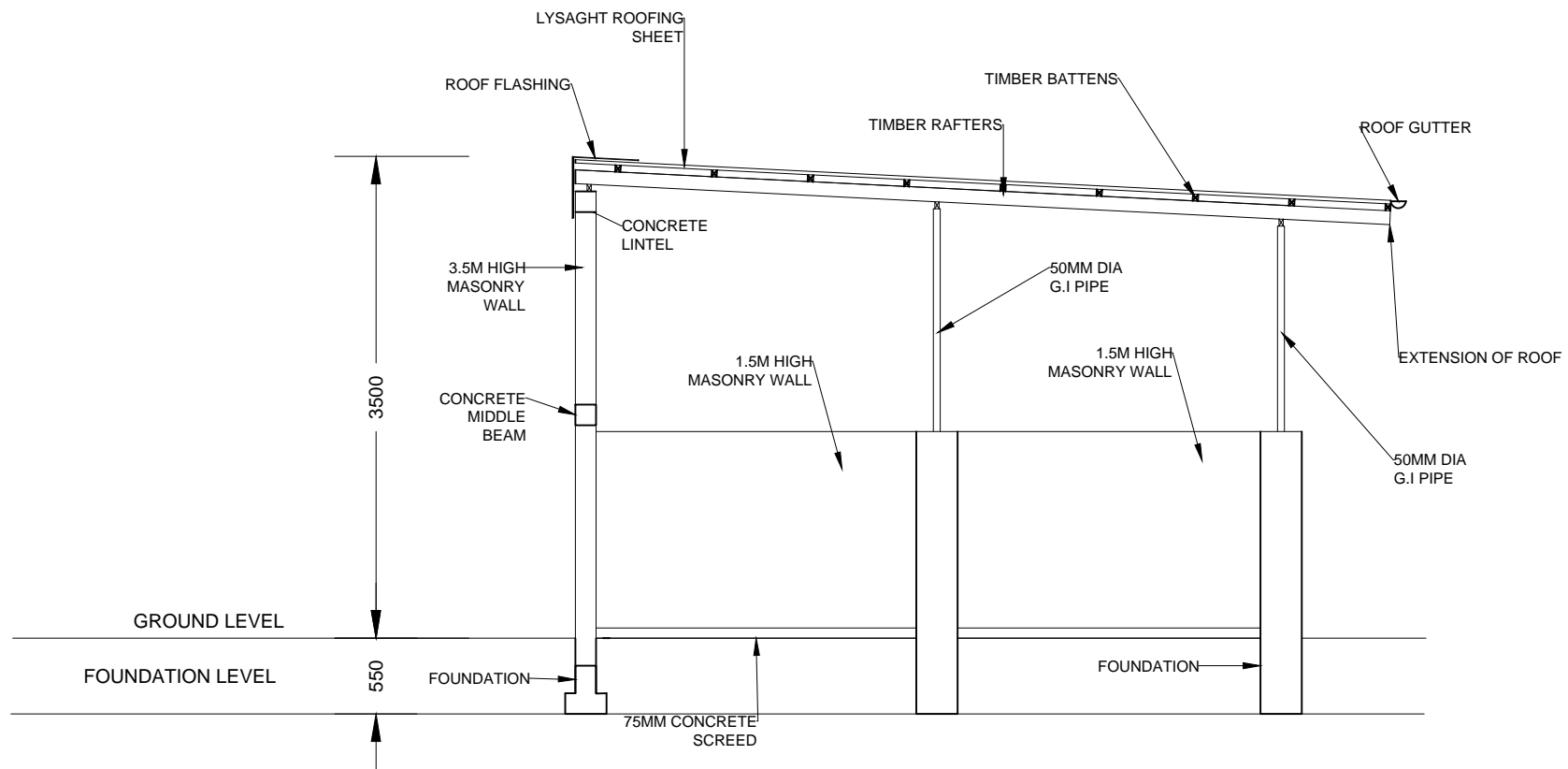
ROOF PLAN

COLLECTION BAY - ROOF PLAN

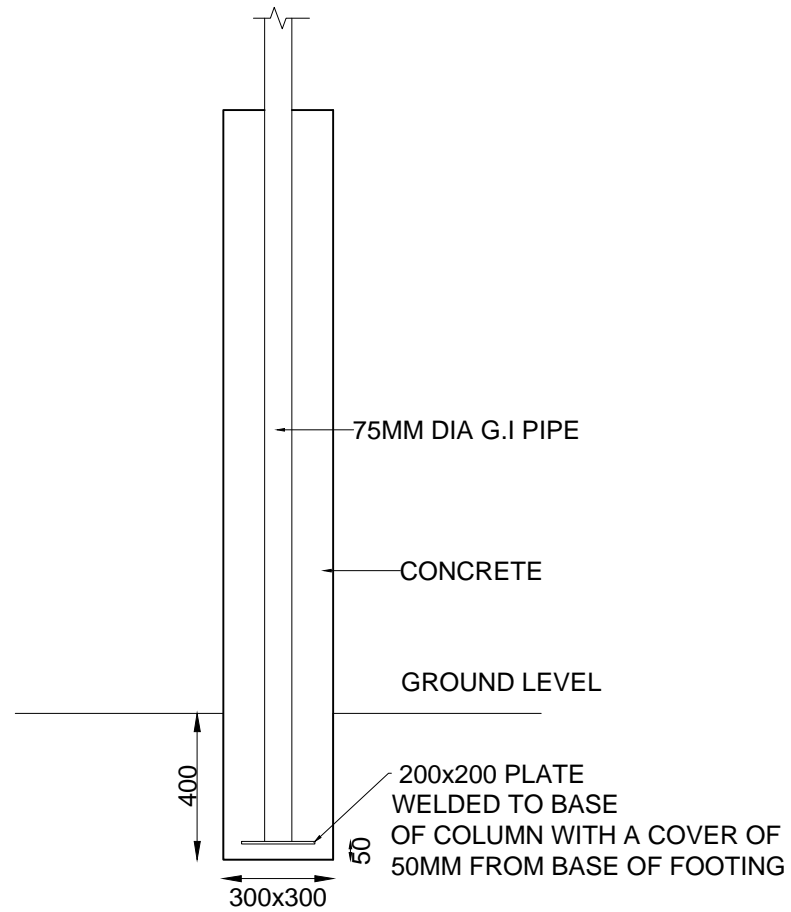




COLLECTION BAY - ROOF FRAMING PLANS

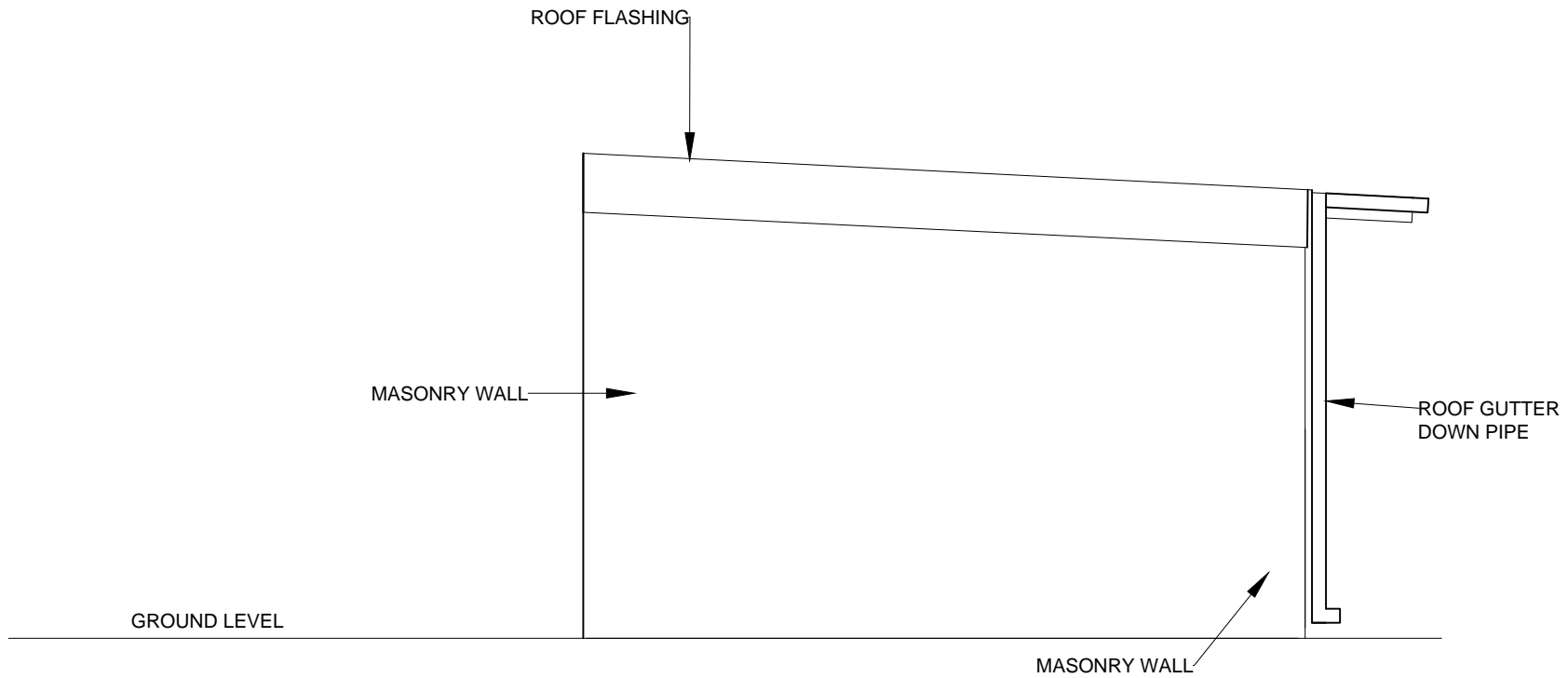


COLLECTION BAY - CROSS SECTION

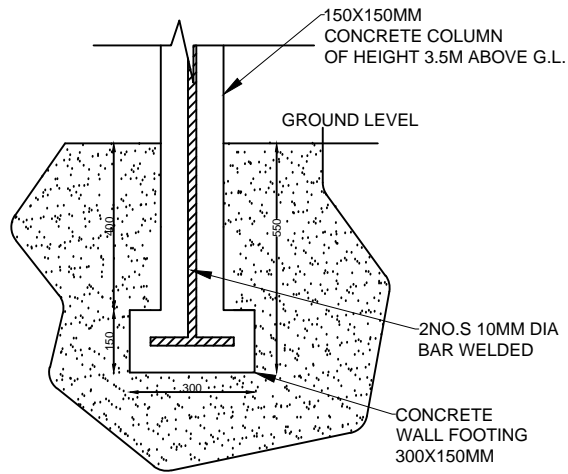


COLLECTION BAY
G.I. PIPE COLUMN FOUNDATION

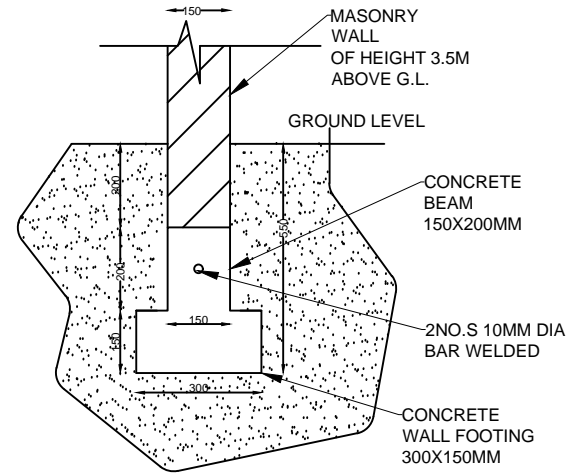
COLLECTION BAY - G.I PIPE COLUMN FOUNDATION DETAILS



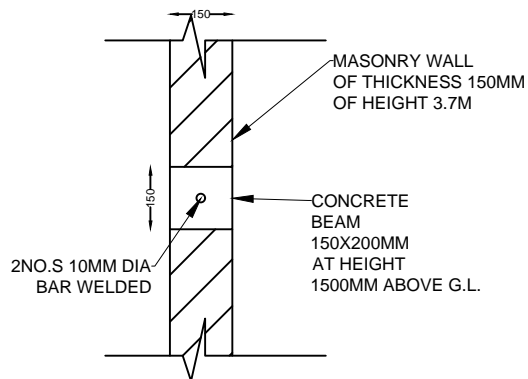
COLLECTION BAY - SIDE ELEVATION



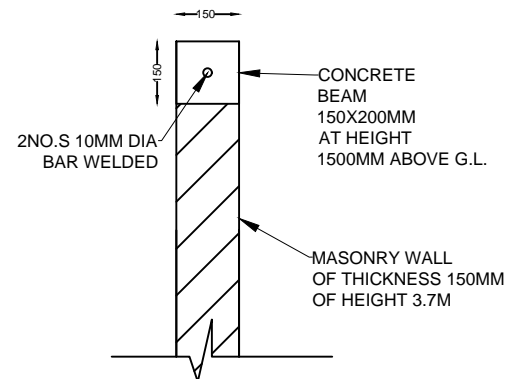
COLUMN DETAILS



BEAM AND WALL FOOTING DETAILS

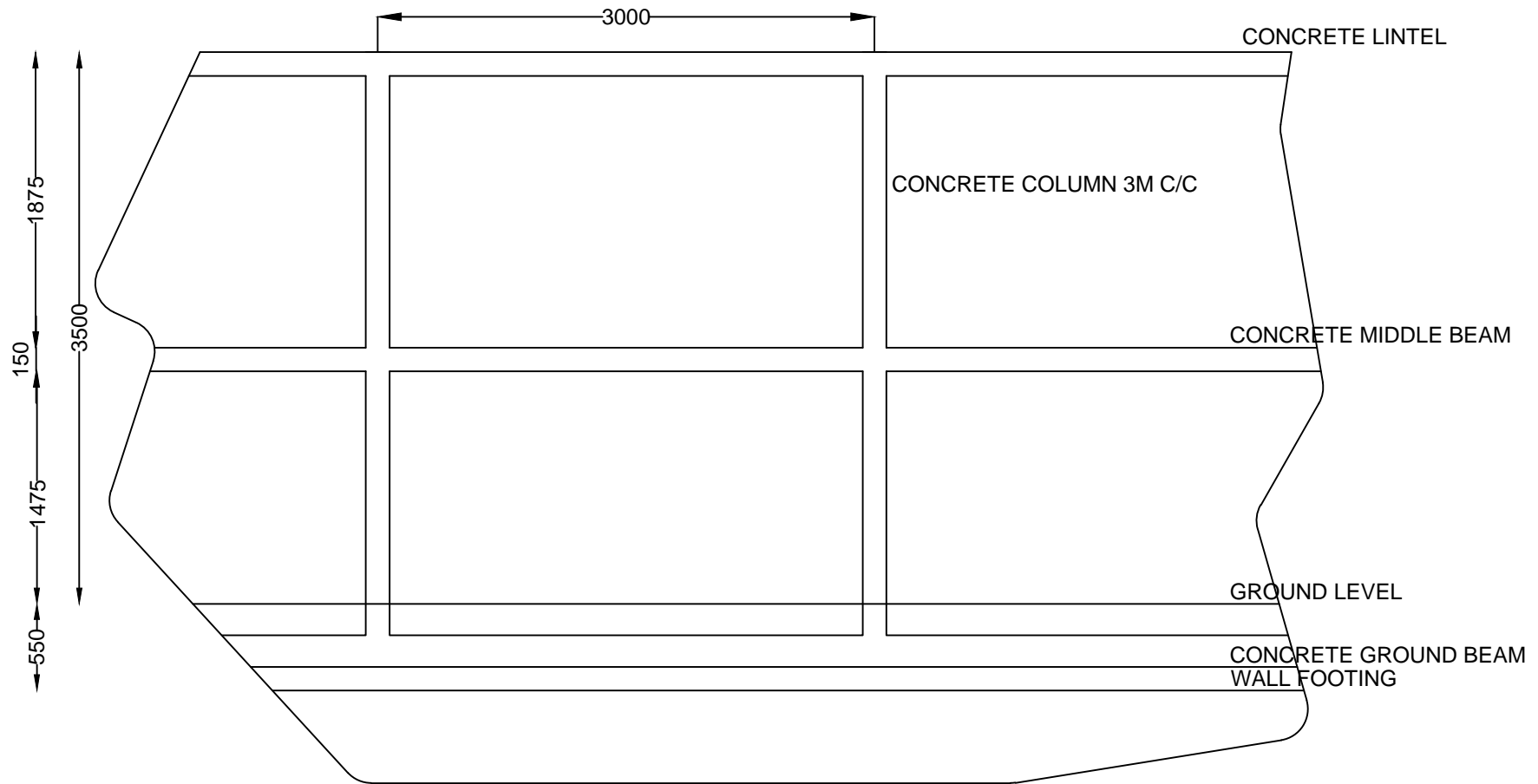


MIDDLE BEAM DETAILS



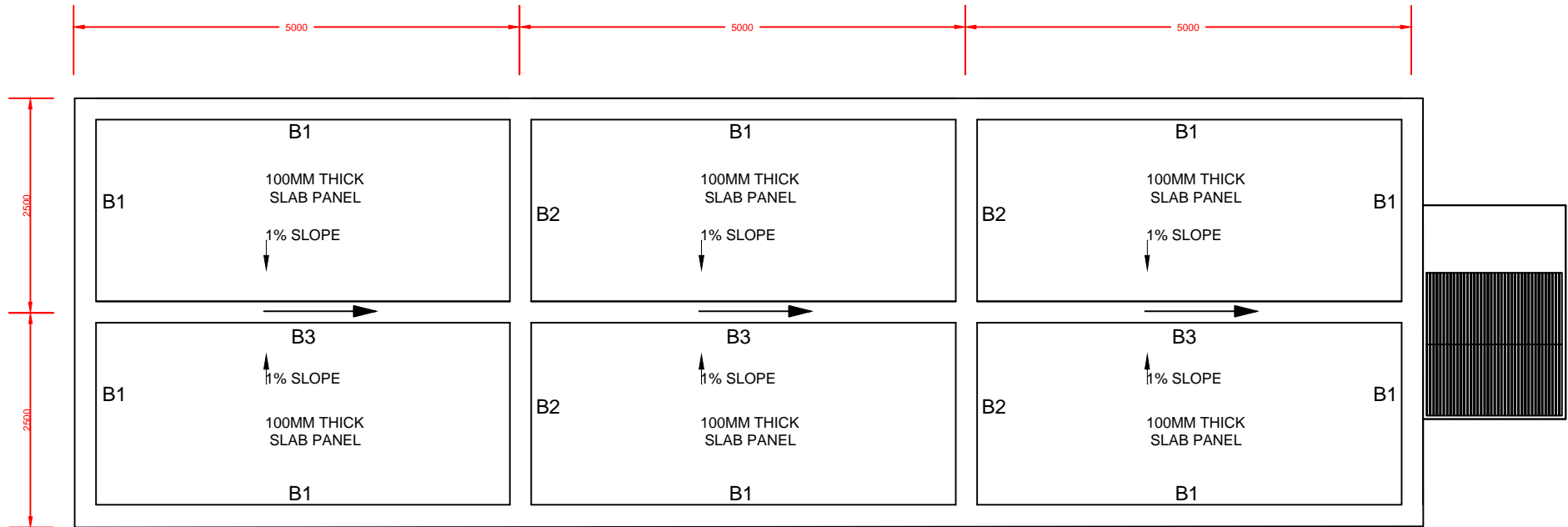
LINTEL DETAILS

COLLECTION BAY - WALL DETAILS

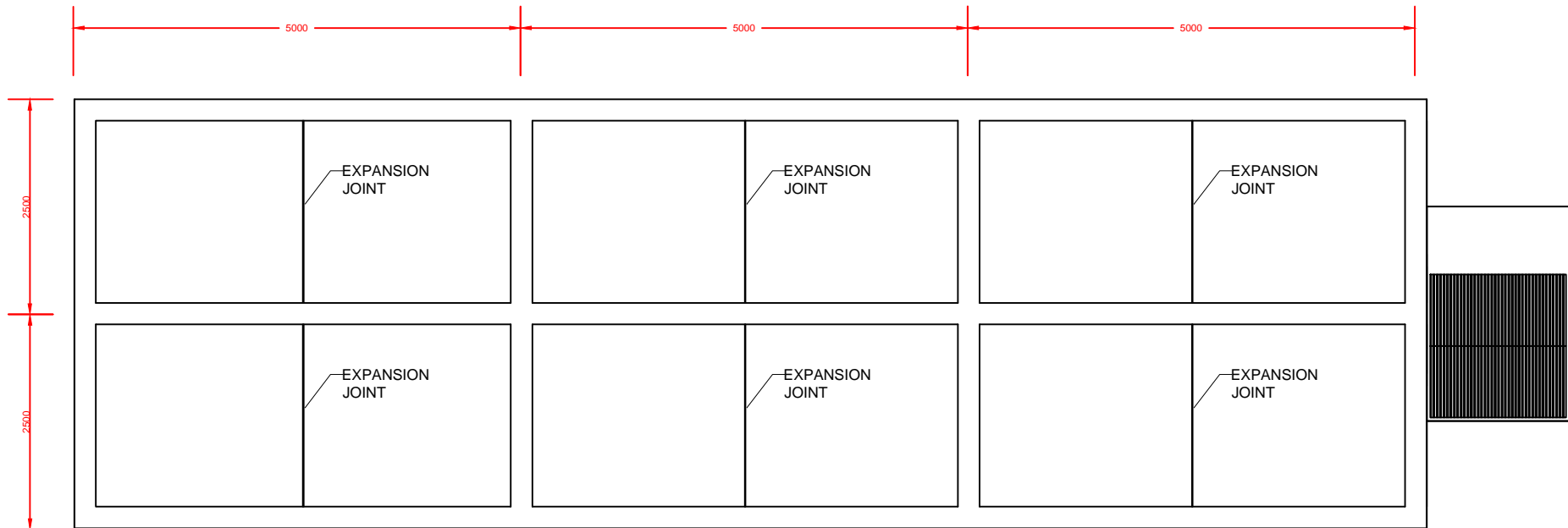


COLLECTION BAY - WALL

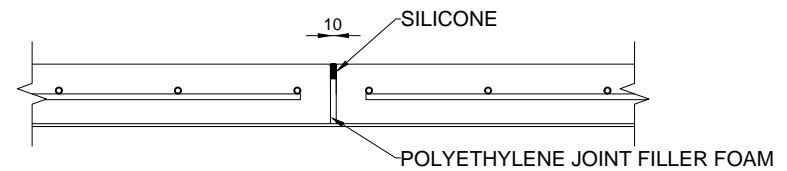
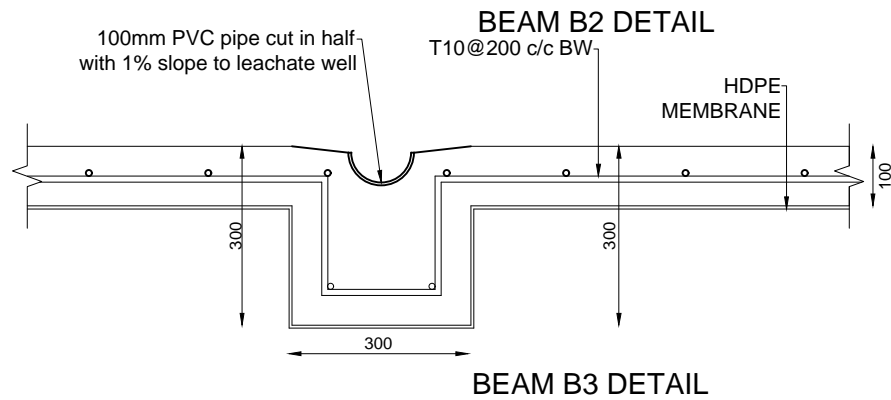
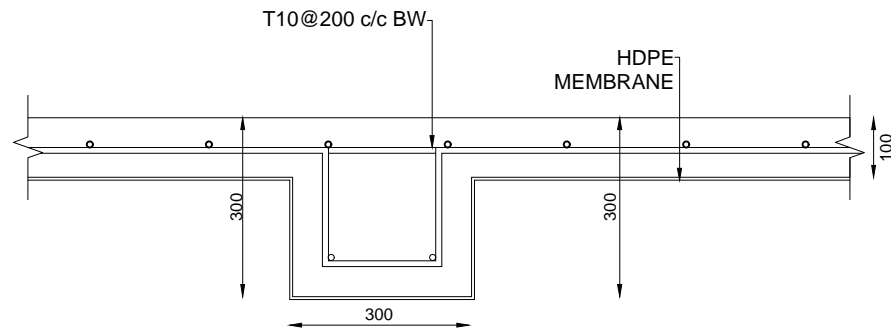
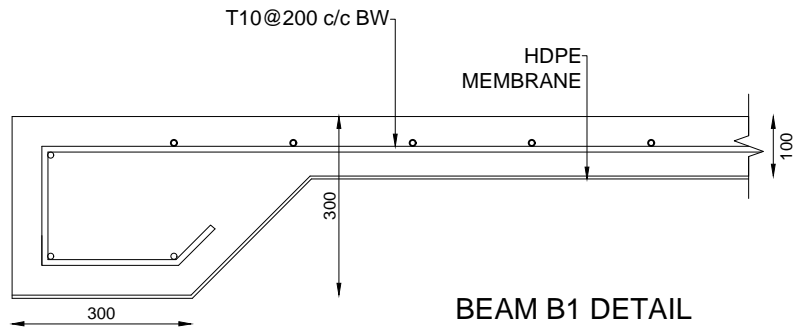




COMPOST SLAB - PLAN

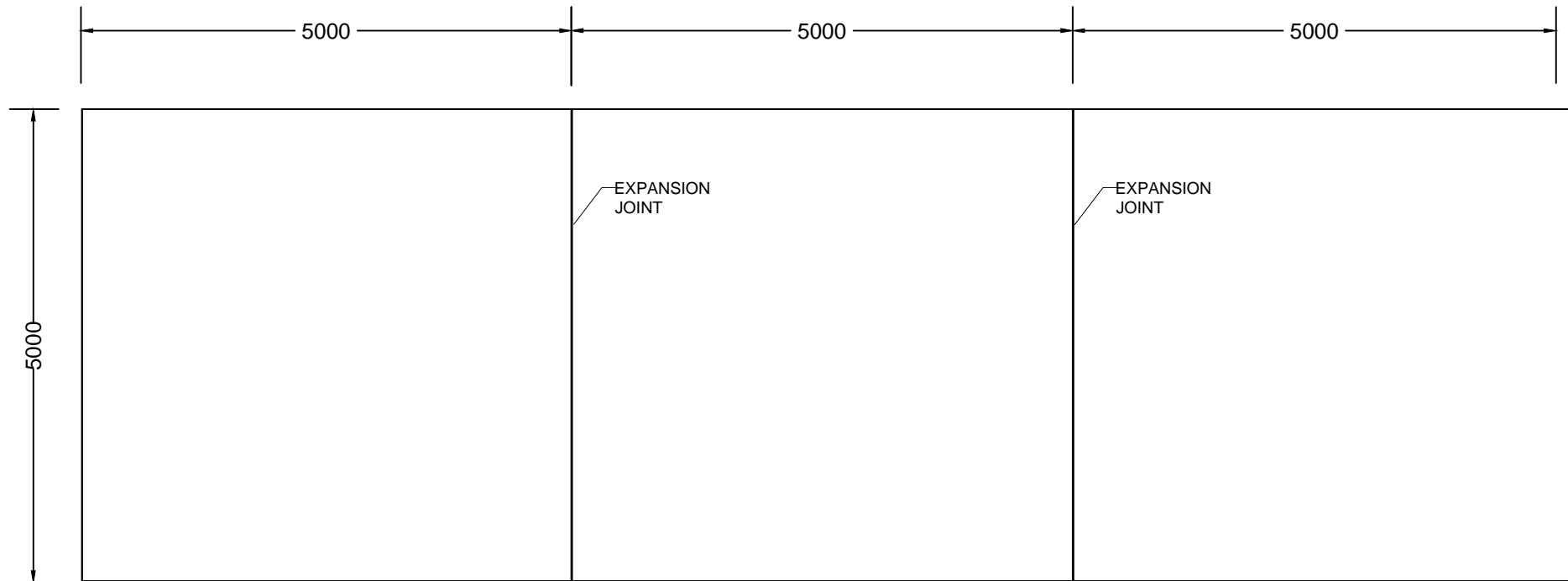


COMPOST SLAB - JOINTS AND SPACINGS



SLAB EXPANSION JOINT DETAIL

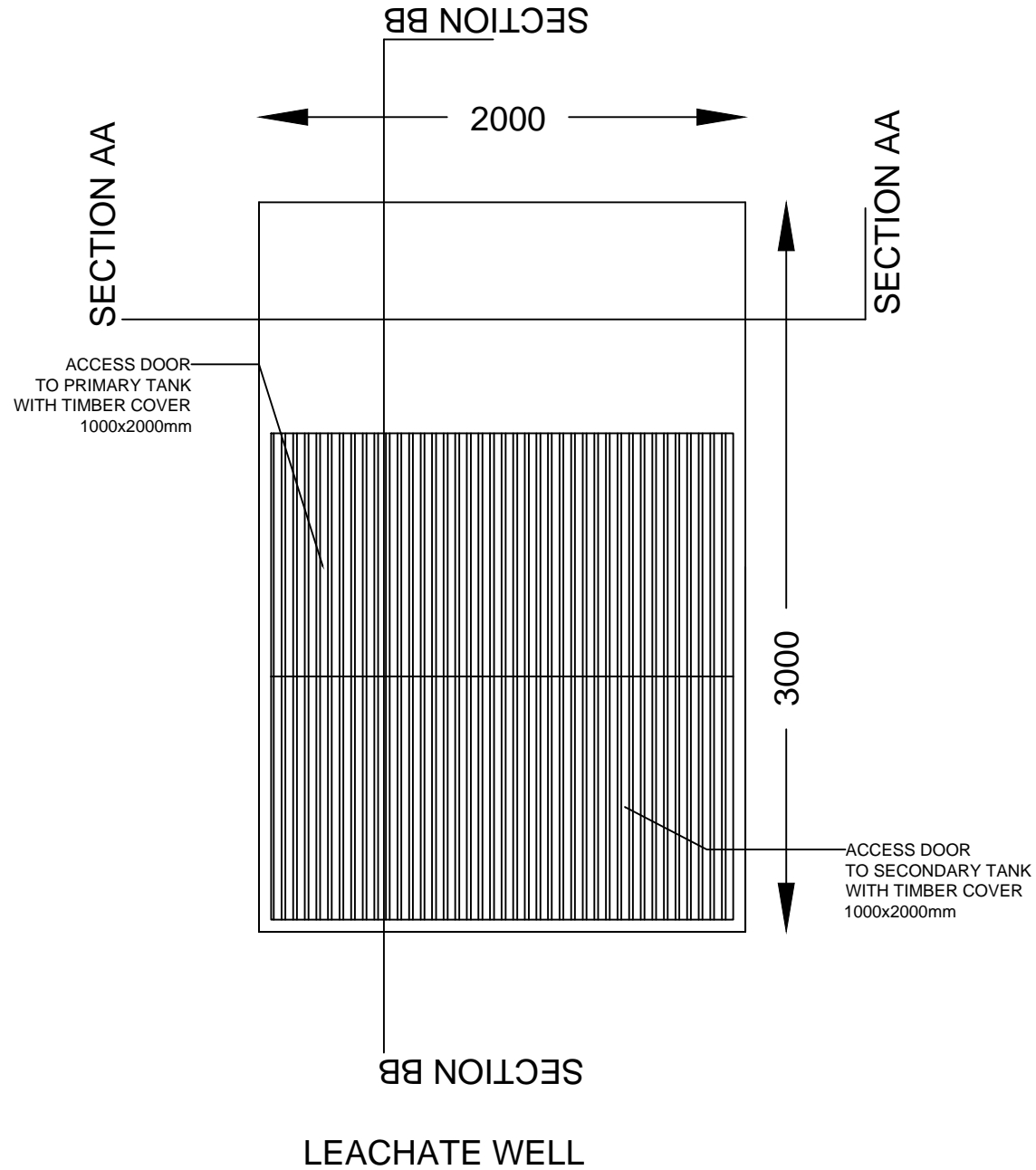
COMPOST SLAB BEAM DETAILS

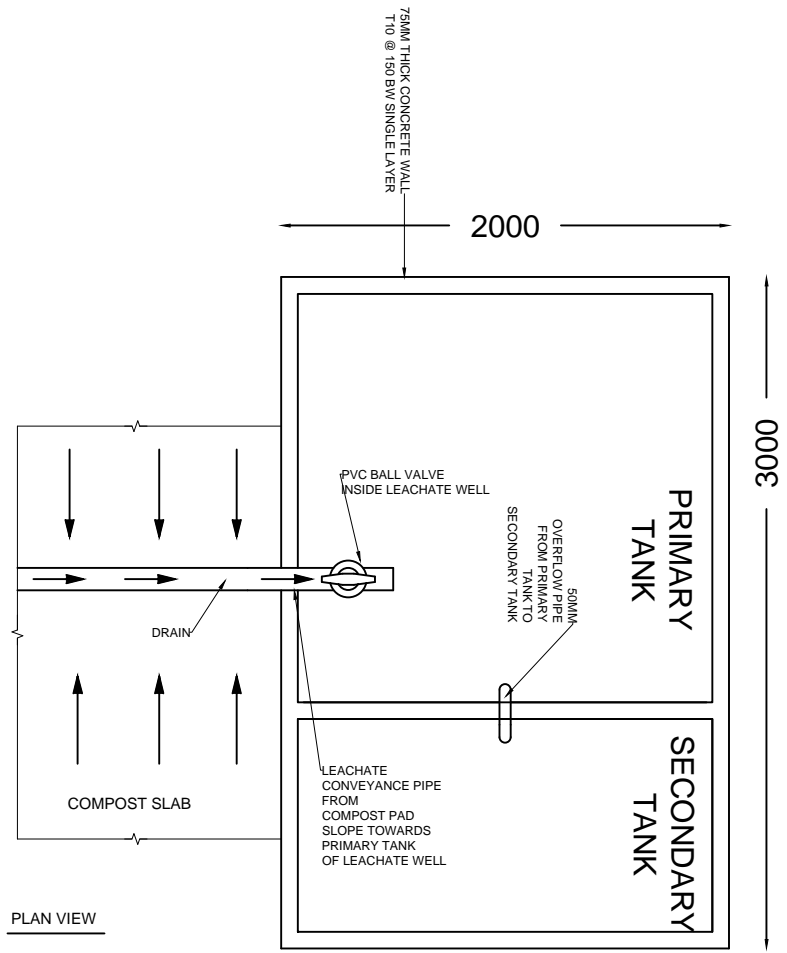


CONCRETE SCREED - JOINTS AND SPACINGS



LEACHATE COLLECTION TANK



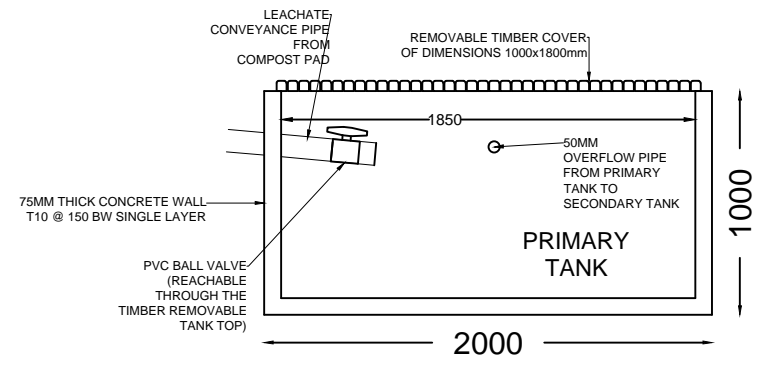


PLAN VIEW

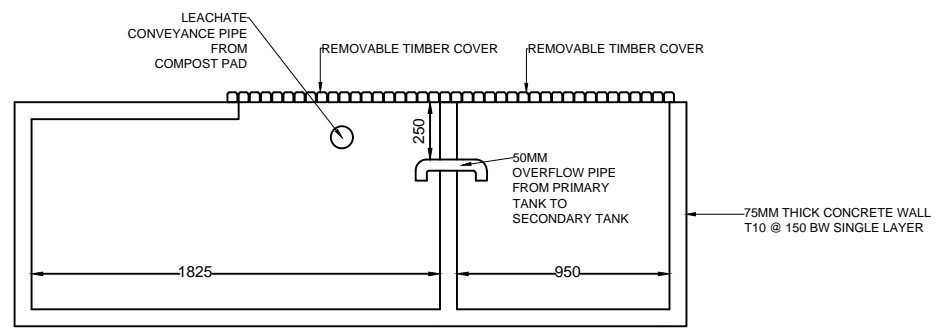
PLAN

LEACHATE WELL DETAILS

LEACHATE COLLECTION TANK - DETAILS

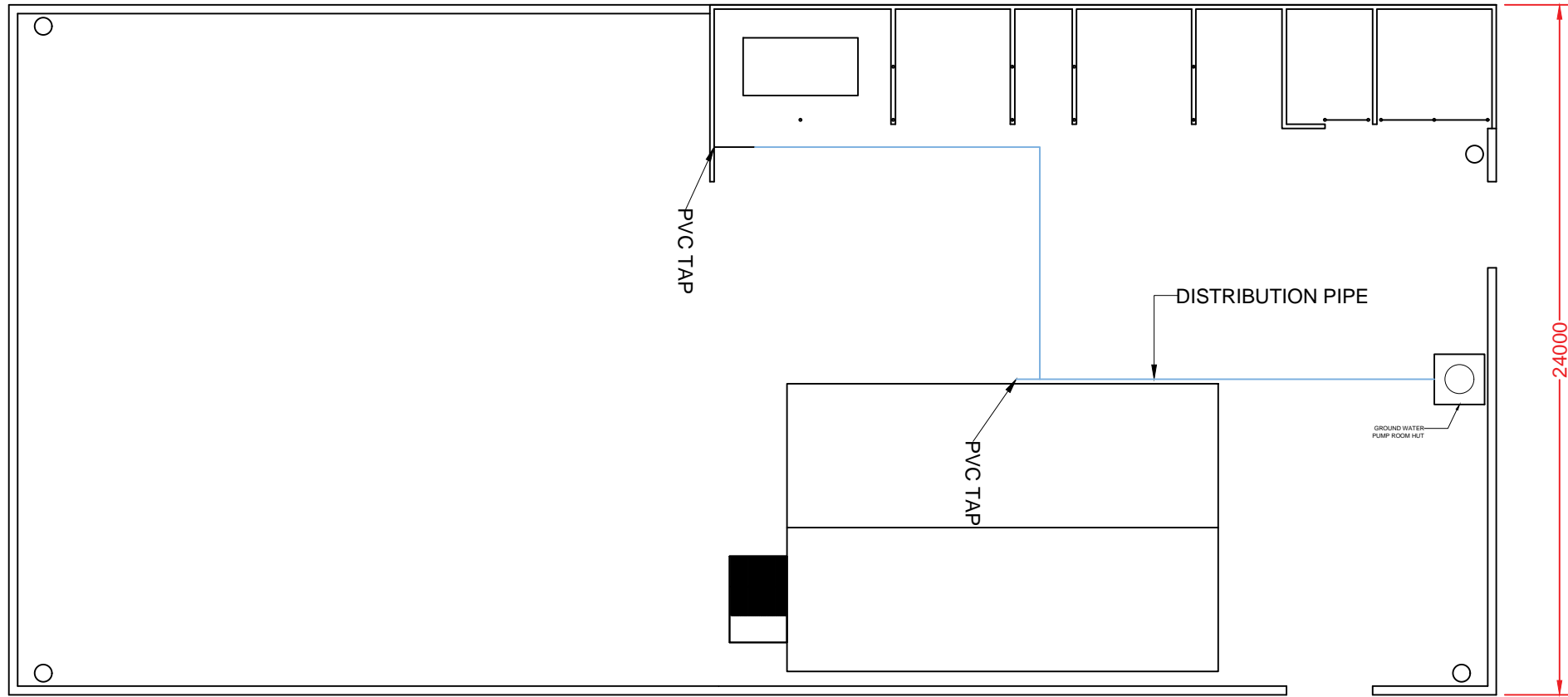


SECTION AA



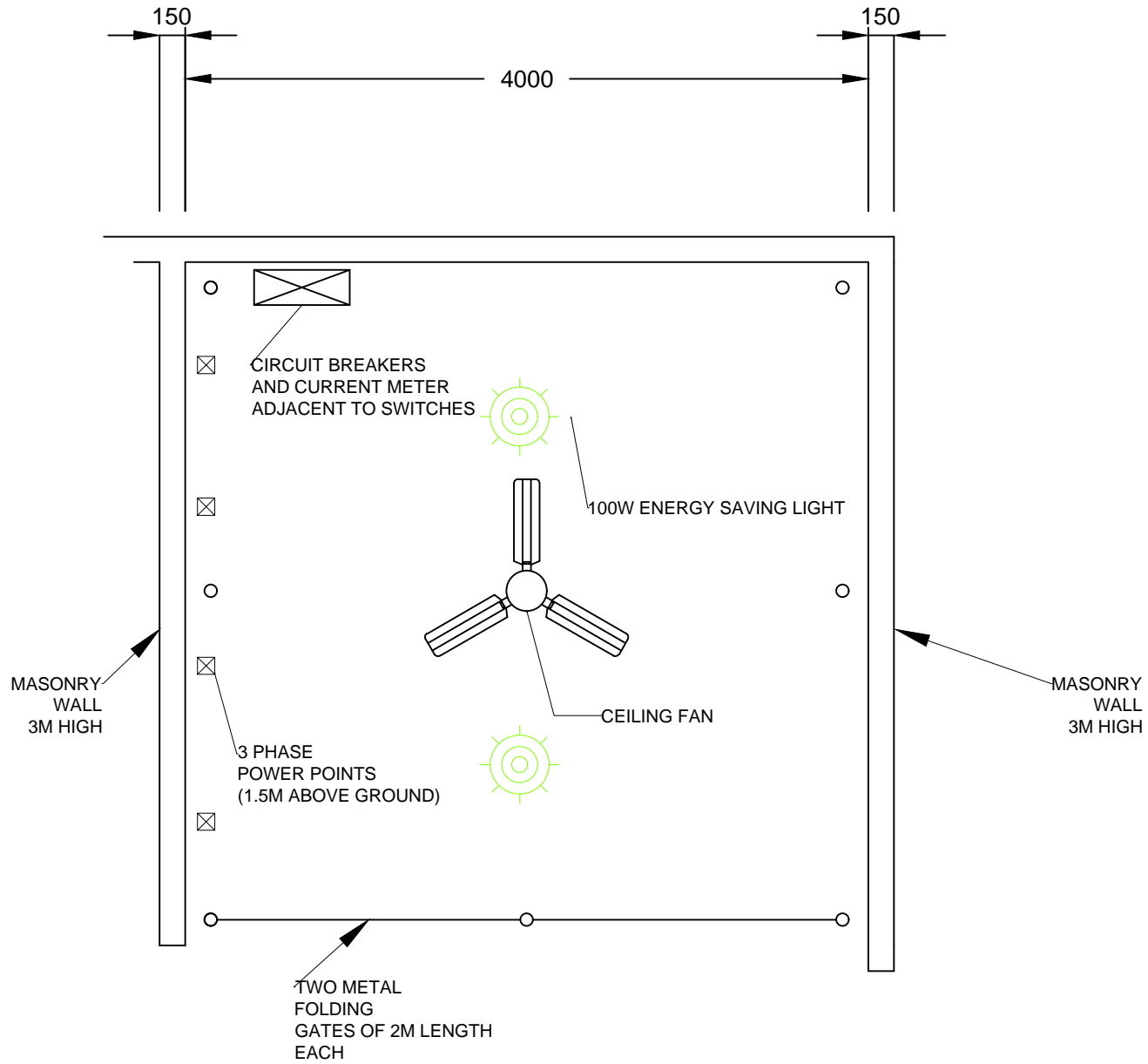
SECTION BB





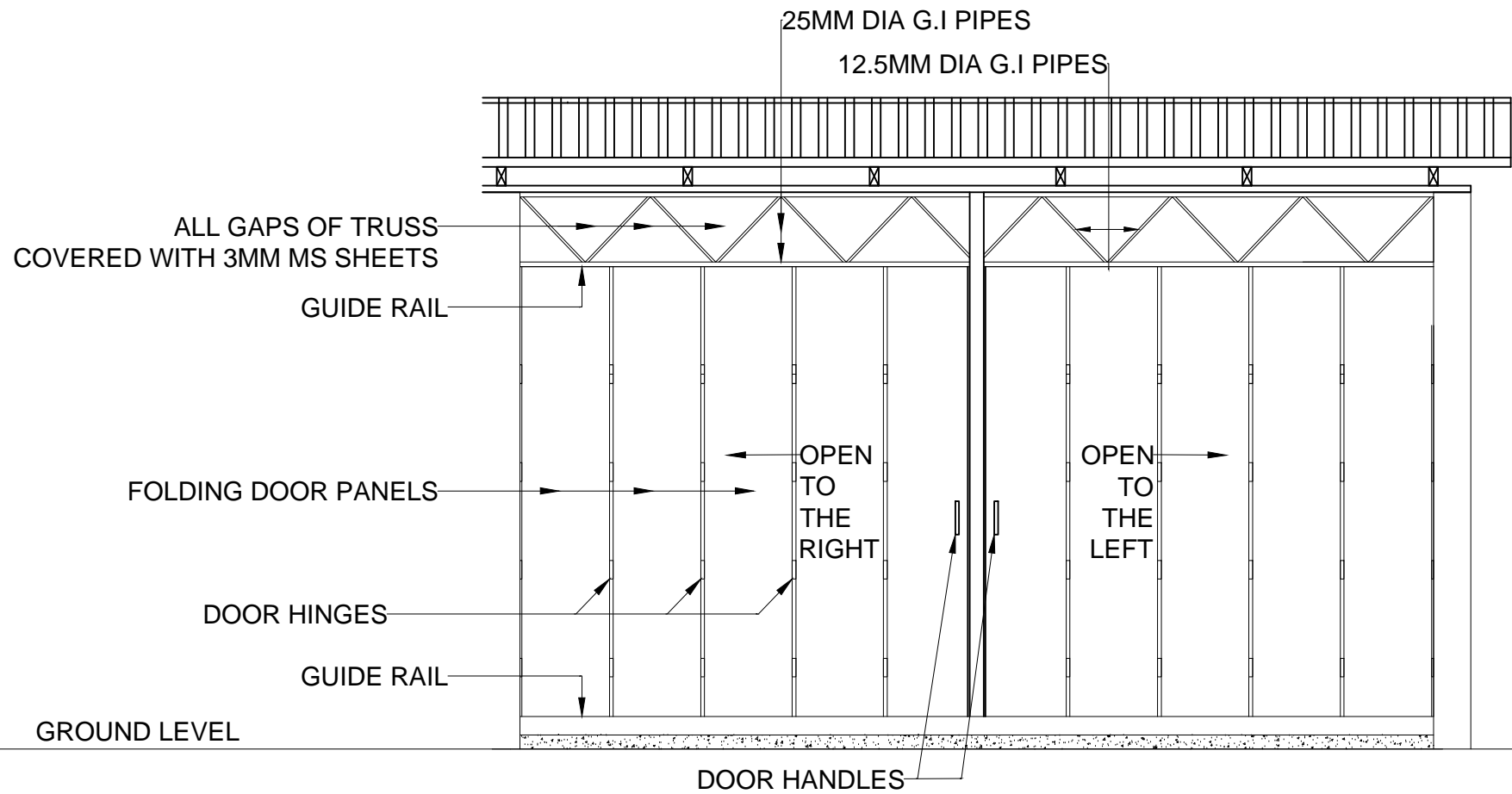
PLUMBING LAYOUT





ELECTRICAL LAYOUT - EQUIPMENT ROOM

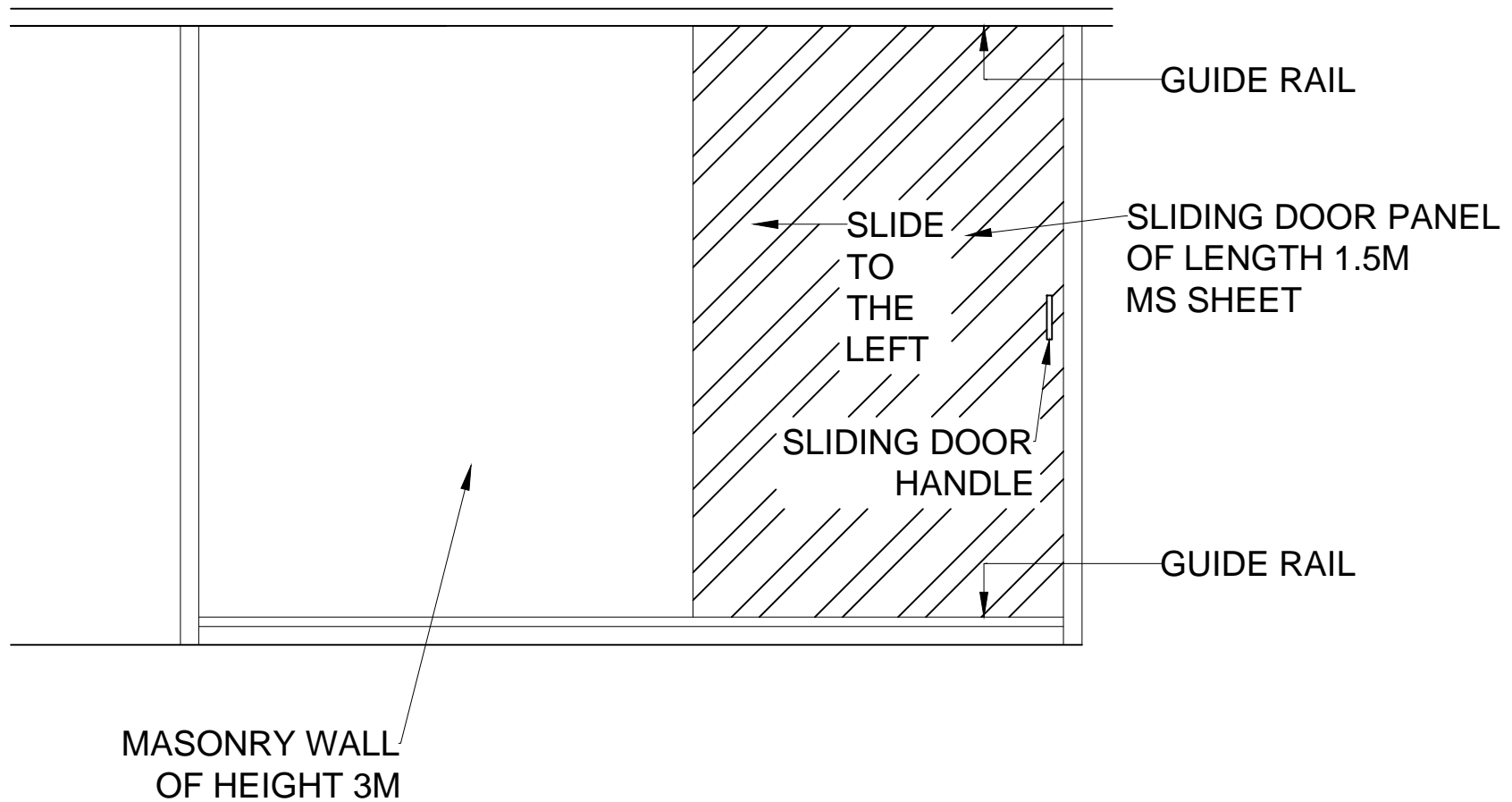




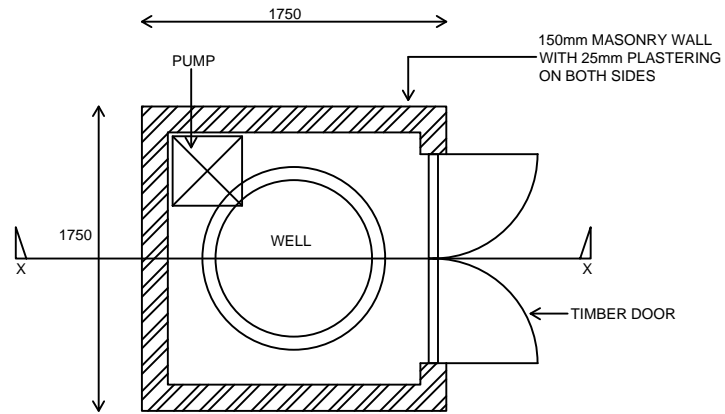
NOTE: ALL WELDS FOR TRUSS MEMBERS
ARE 5MM FILLET WELDS

EQUIPMENT ROOM - METAL SLIDING DOOR DETAIL

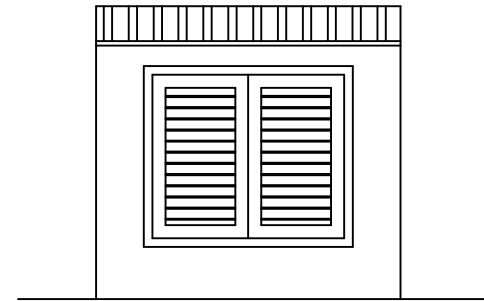




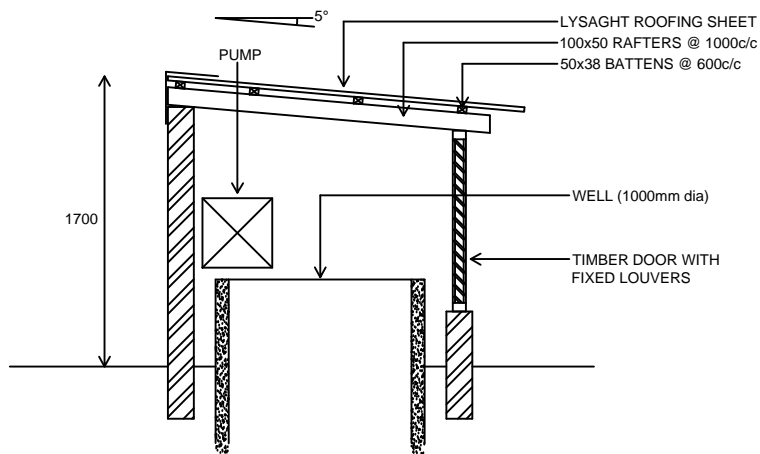
HAZARDOUS WASTE STORAGE ROOM - METAL SLIDING DOOR DETAIL



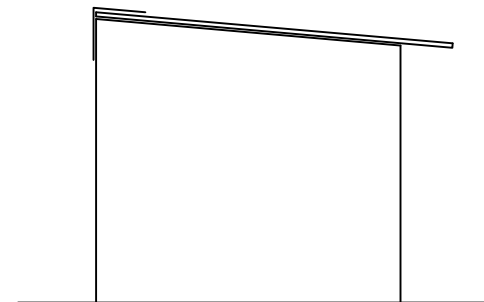
PUMP ROOM HUT



FRONT ELEVATION

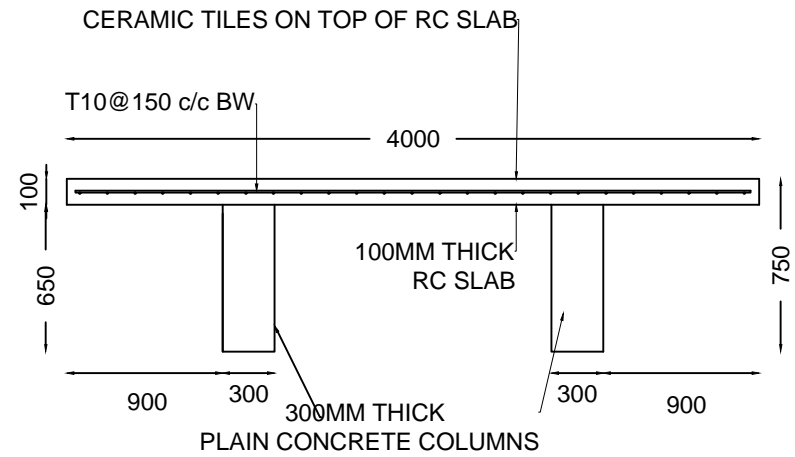
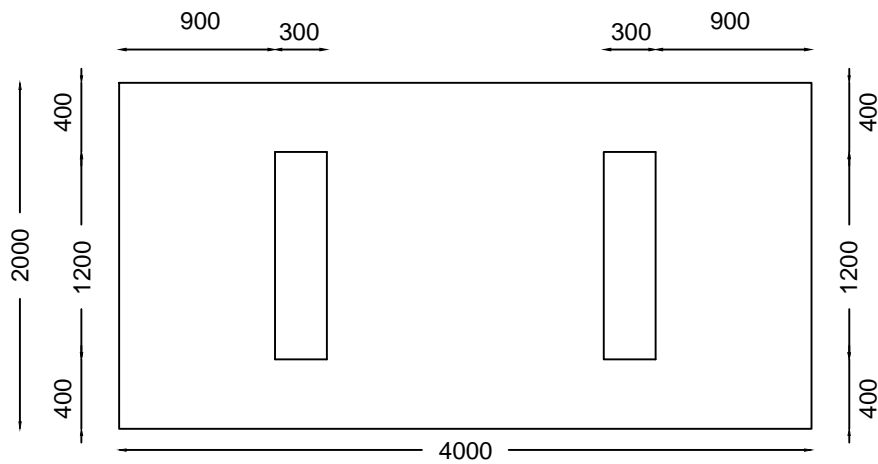


SECTION X-X

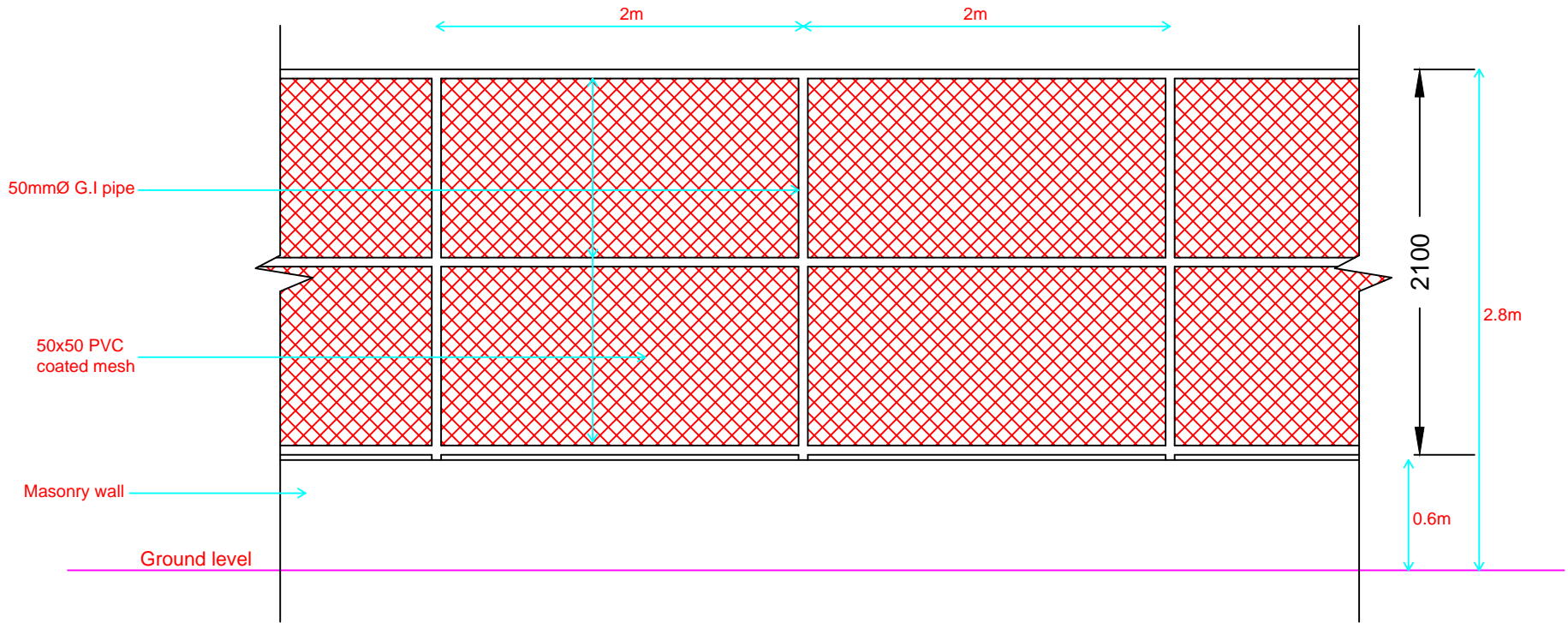


SIDE ELEVATION

GROUND WATER PUMP ROOM HUT DETAILS



SORTING AREA - SORTING PLATFORM DETAILS

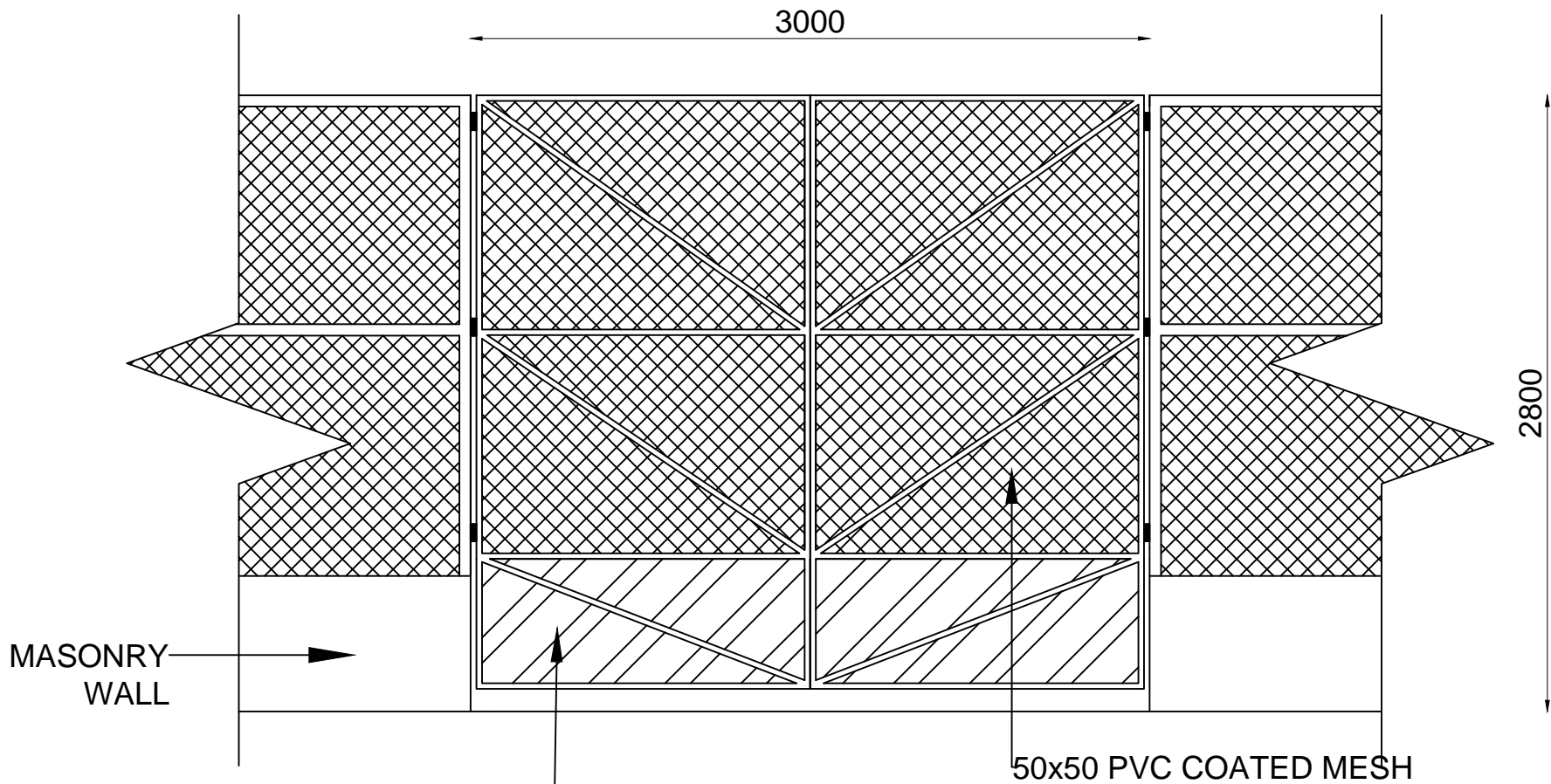


PERIMETER FENCE

NOTE: ALL WELDS
ARE 5mm FILLET
WELD AROUND
MEMBER

FENCE DETAILS

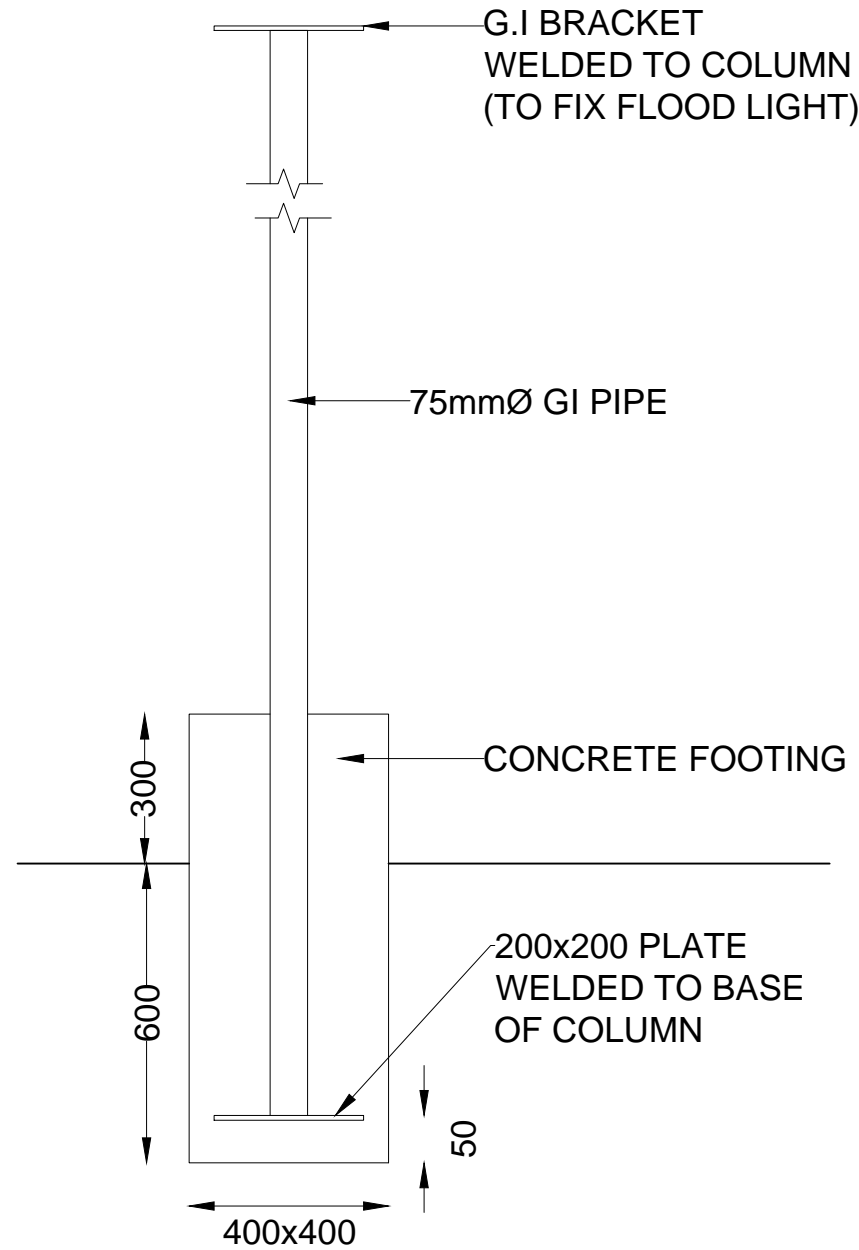




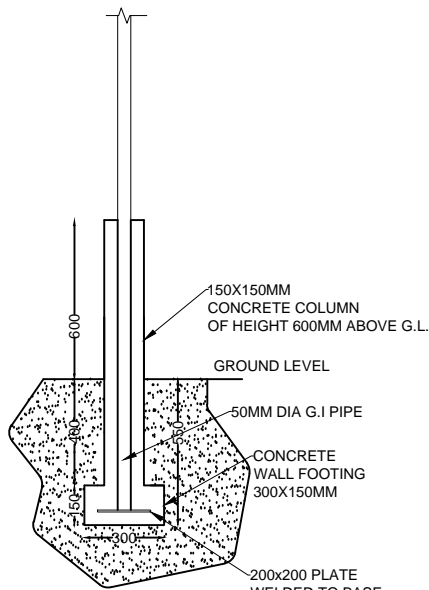
NOTE:
 - DOOR IS MADE FROM 25MM DIA GI PIPE
 - ALL WELDS ARE 5MM FILLET WELDS AROUND MEMBER

MAIN GATE

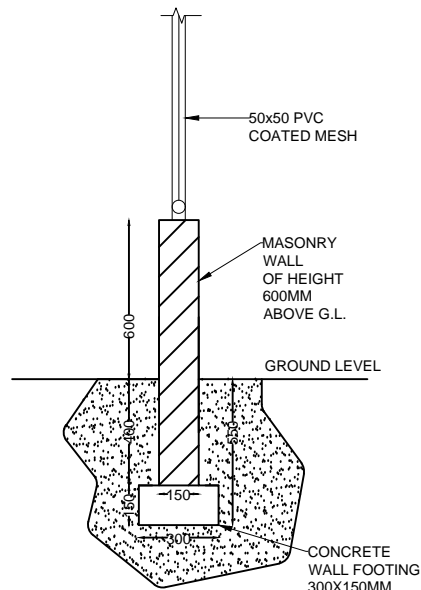




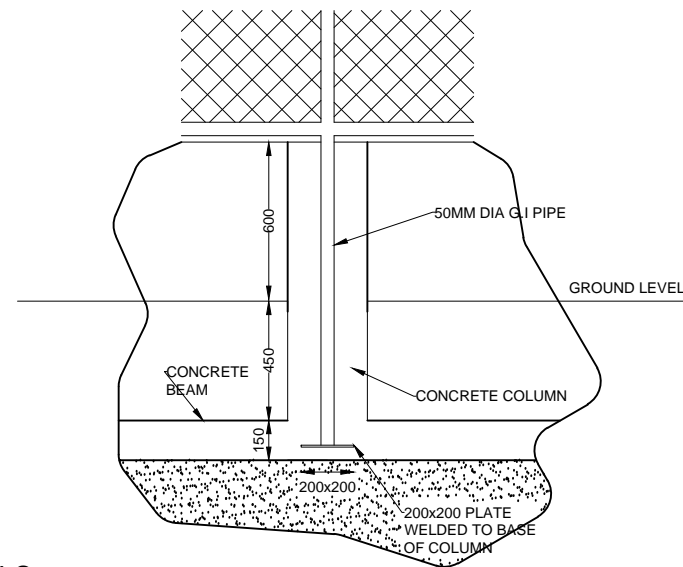
FLOOD LIGHT FOUNDATION DETAILS



PERIMETER WALL
COLUMN DETAILS



PERIMETER WALL
BEAM AND WALL FOOTING DETAILS



PERIMETER FENCE
FOUNDATION DETAIL

BOUNDARY WALL - BEAM AND COLUMN DETAILS