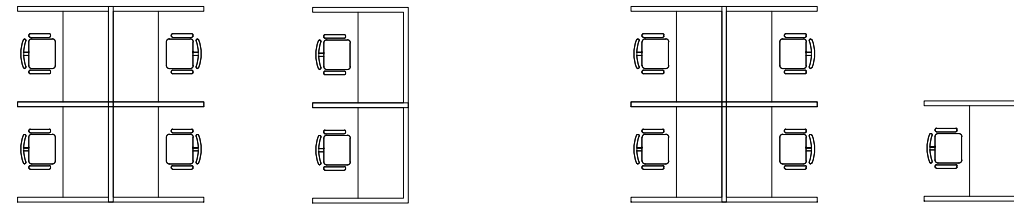
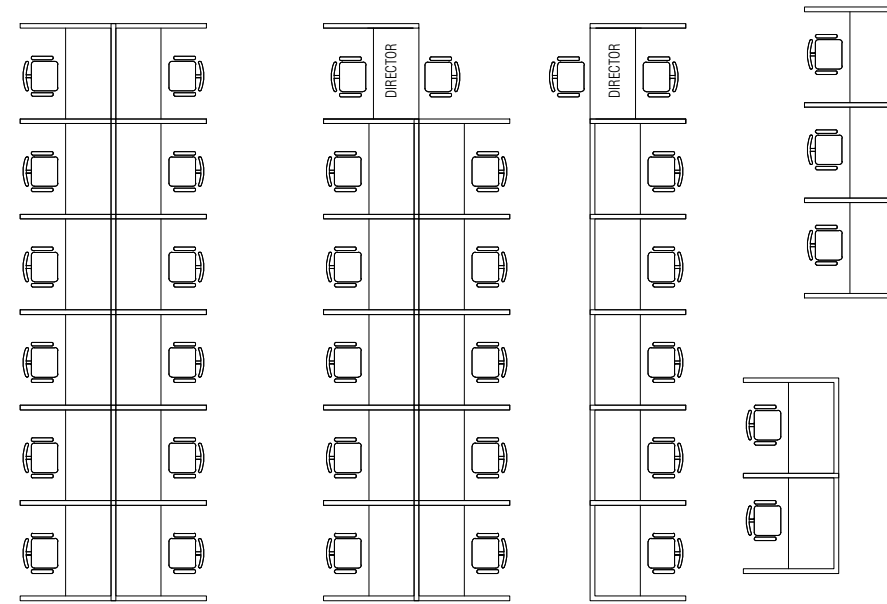


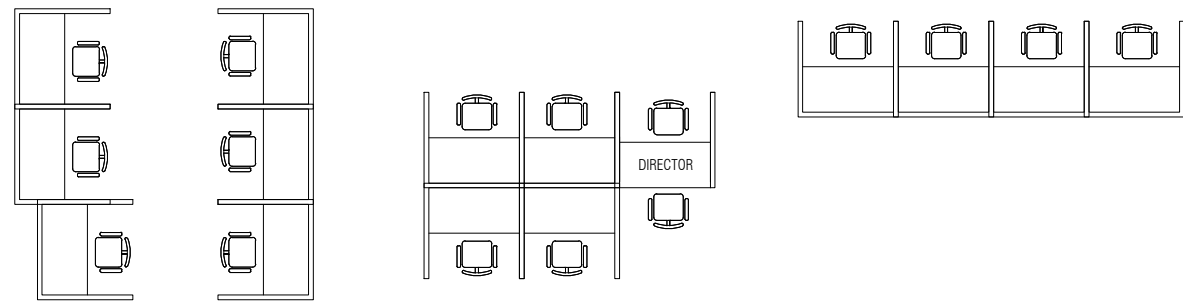
REGIONAL AIRPORTS - SECOND FLOOR



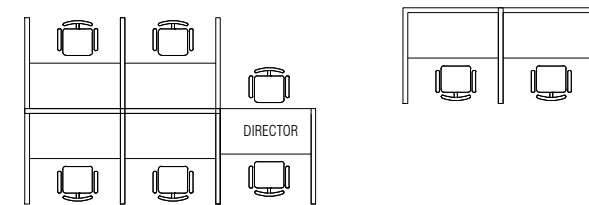
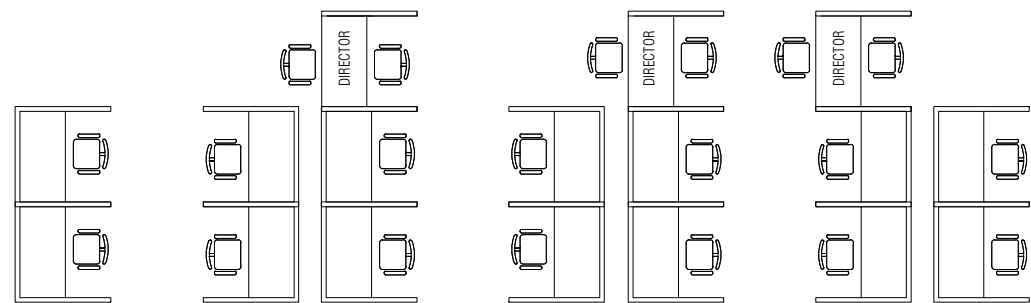
TRANSPORT AUTHORITY - SECOND FLOOR



TRANSPORT AUTHORITY - FIRST FLOOR



MoTCA- THIRD FLOOR



MoTCA- FOURTH FLOOR



Associates Architects

RIHIKURI (1ST FLOOR), NIROLHU MAGU
NEIGHBORHOOD 1, HULHUMALE'
TEL: (960) 7826260, (960)7977119
EMAIL: SM.ASSOC.ARCH@GMAIL.COM

NOTES:

NO.	DESCRIPTION	DATE
REV A0	ISSUED FOR INFORMATION	16- DEC -19

MoTCA

PROPOSED INTERIOR OFFICE
ARRANGEMENT LAYOUT - TA, RA, MoTCA

Client: Min. of TRANSPORT & CIVIL AVIATION

Interior Architect: MURUSHID/SAMA AH

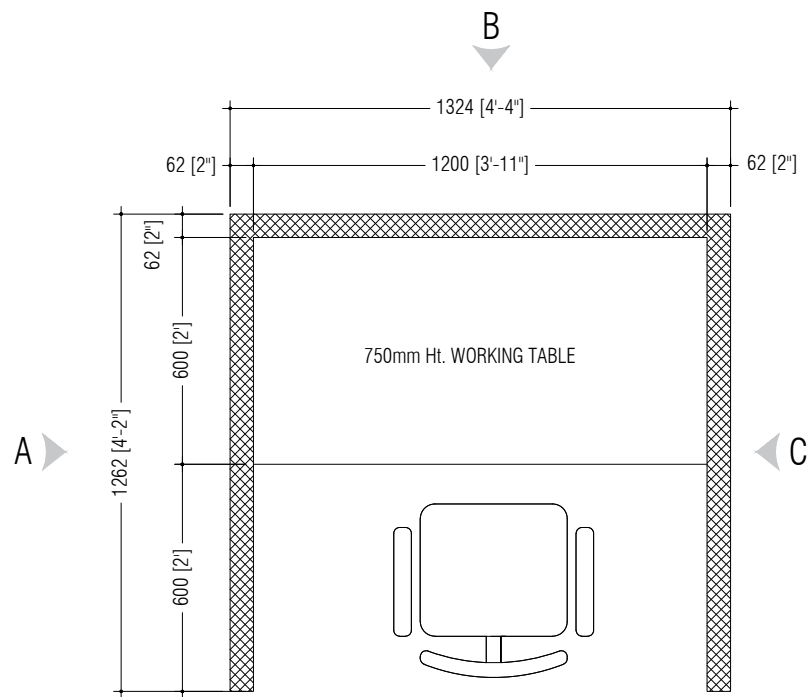
Design Detailer: MURUSHID/SAMA AH

Drawing Title: AS SHOWN

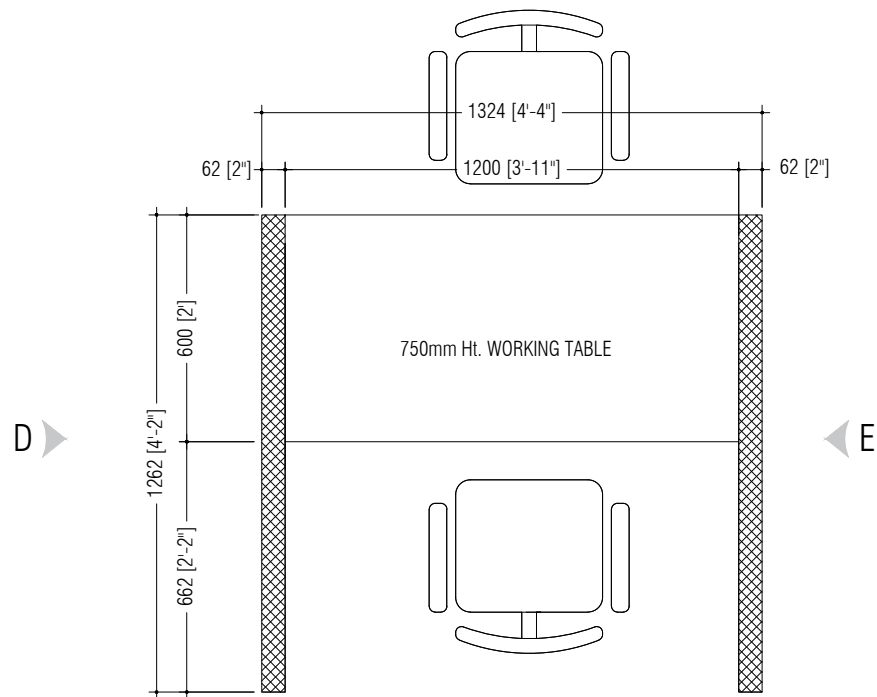
Issue: IFI Date: DEC 2019 Pages: 01

Scale: 1:100 Paper: A3

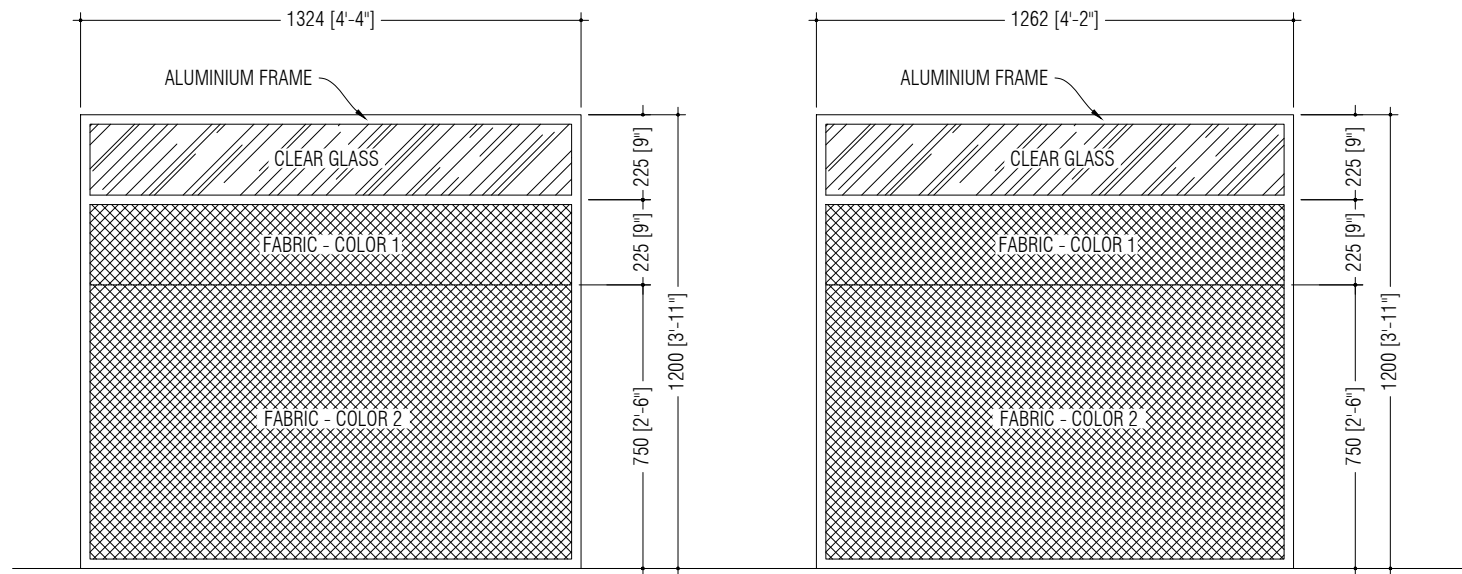
Dwg #: AR1922-WS01-REV[A1]



**WORKSTATIONS-
GENERAL STAFF**

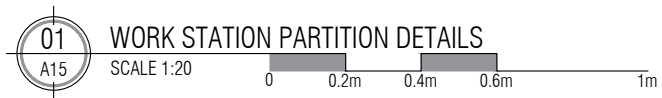


**DIRECTOR/ DEP. DIRECTOR'S
WORKSTATION**



WORKSTATION ELEVATION B

WORKSTATION ELEVATION A,C,D & E



Associates Architects

RIHIKURI (1ST FLOOR), NIROLHU MAGU
NEIGHBORHOOD 1, HULHUMALE'
TEL: (960) 7826260, (960)7977119
EMAIL: SM.ASSOC.ARCH@GMAIL.COM

NOTES:

NO.	DESCRIPTION	DATE
REV A0	ISSUED FOR CONSTRUCTION	01- DEC -19
REV A1	ISSUED FOR CONSTRUCTION	13- DEC -19

MoTCA

PROPOSED INTERIOR OFFICE
ARRANGEMENT LAYOUT - TA, RA, MoTCA

Client: Min. of TRANSPORT & CIVIL AVIATION

Interior Architect: MURUSHID/SAMAHAH

Design Detailer: MURUSHID/SAMAHAH

Drawing Title: AS SHOWN

Issue: IFC Date: DEC 2019 Pages: 15

Scale: 1:20 Paper: A3

Dwg #: AR1922-A15- REV[A1]