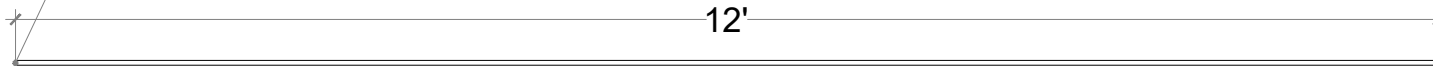


X 2 PCS

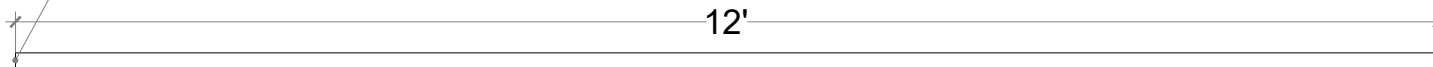
ALL END SHOULD BE SEALED PROPERLY



304 SS PIPE - 0.5" x 1.5mm

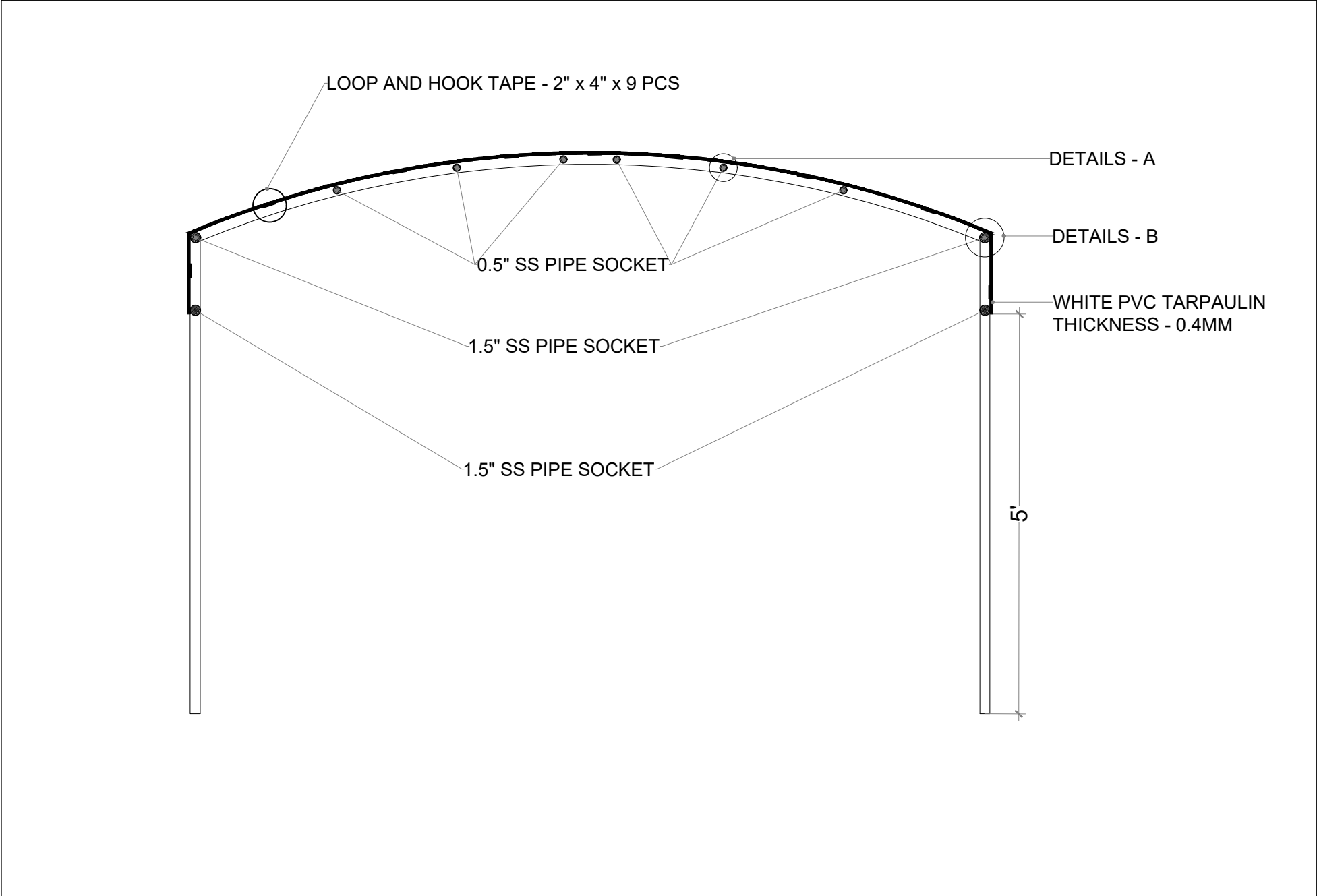
X 8 PCS

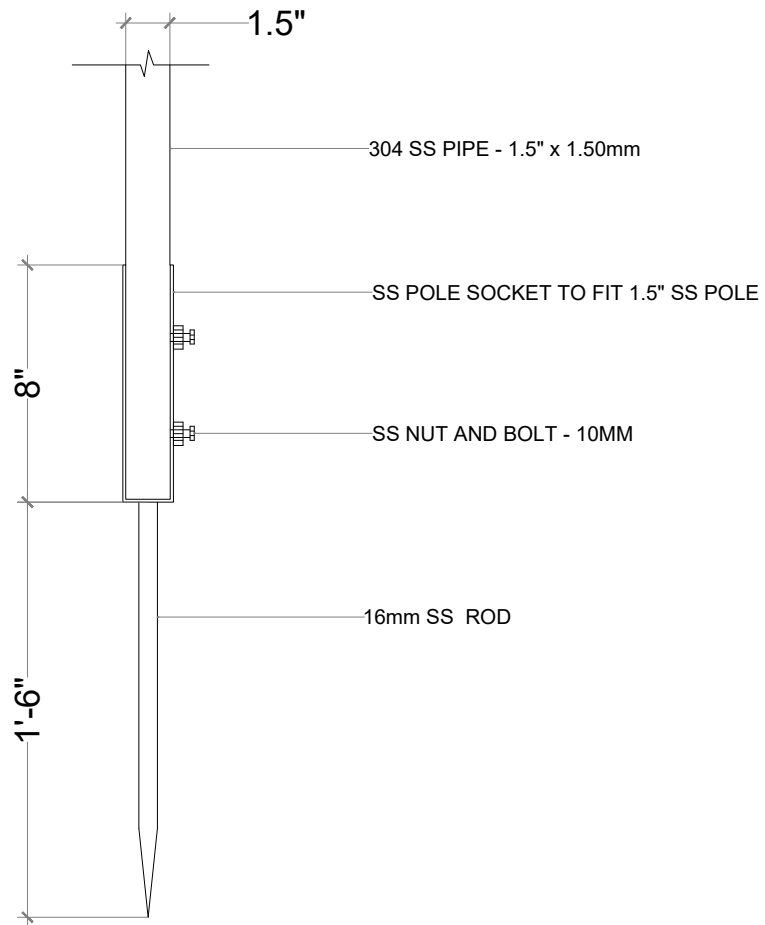
ALL END SHOULD BE SEALED PROPERLY



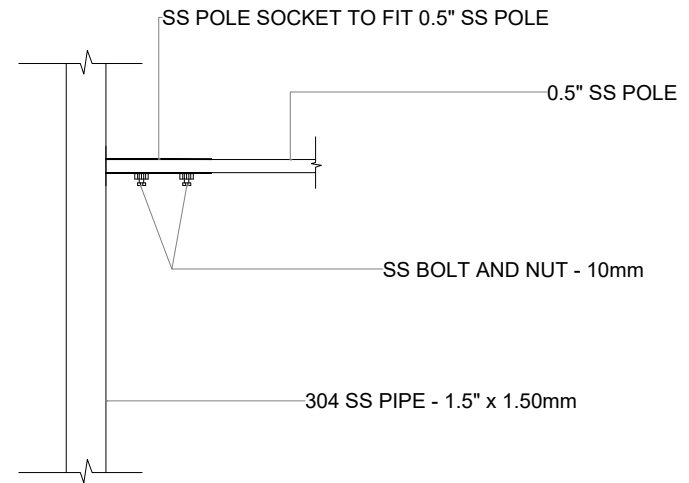
304 SS PIPE - 1.5" x 1.5mm

X 2 PCS

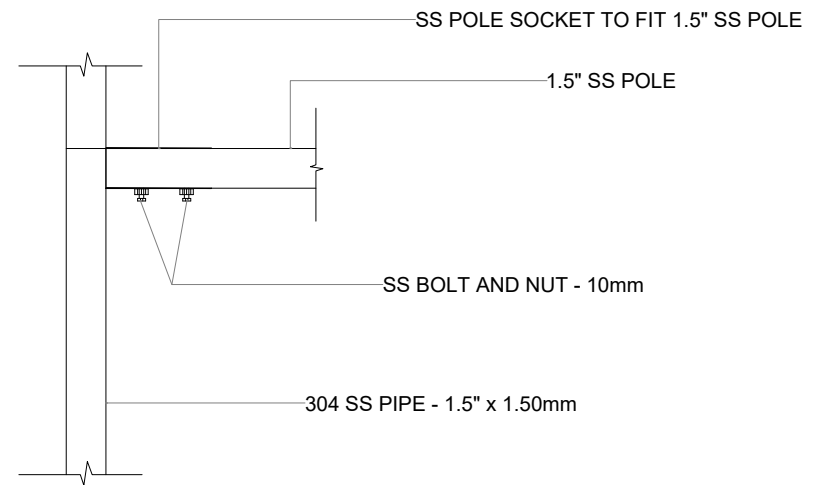




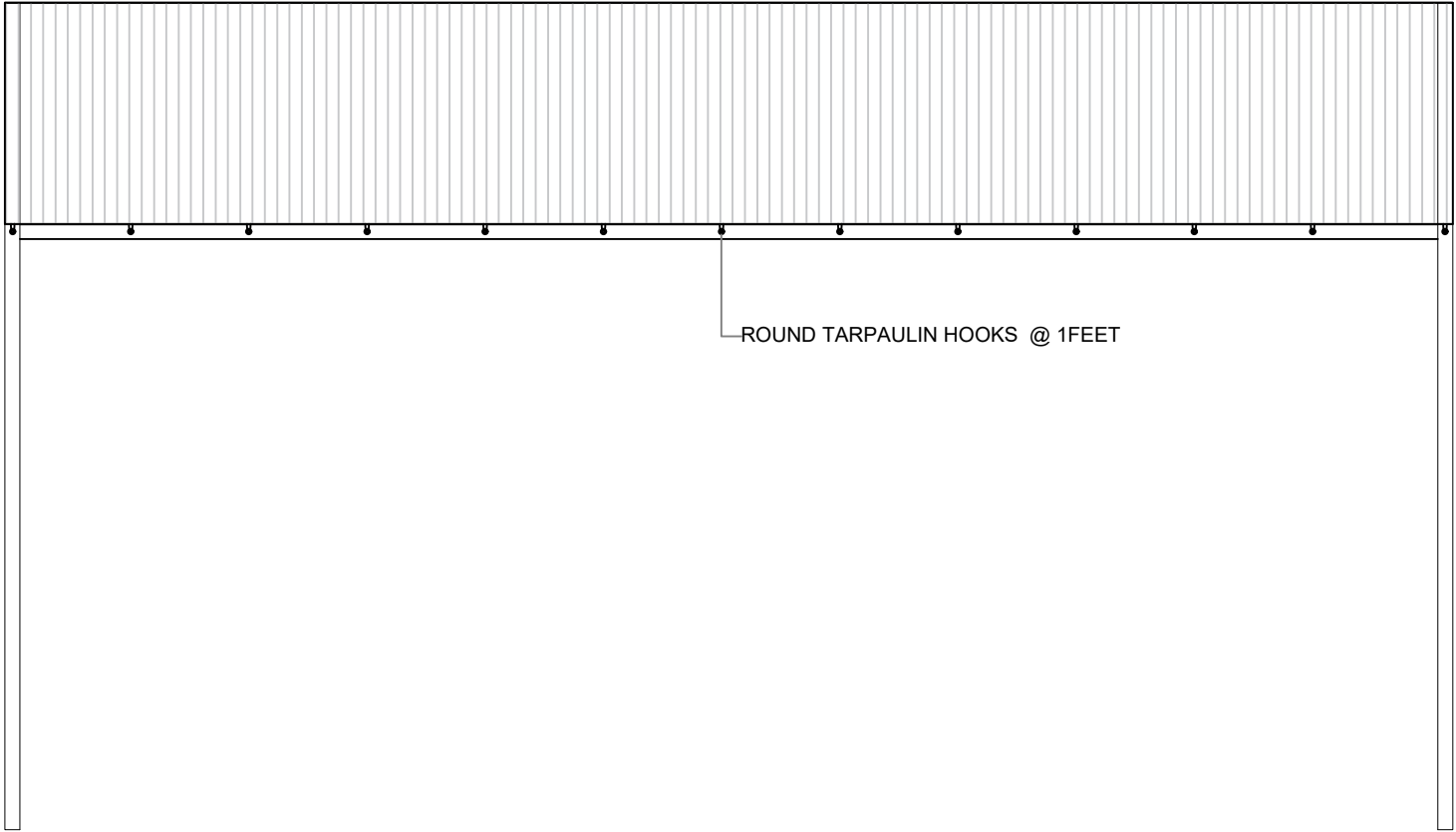
X 4 PCS



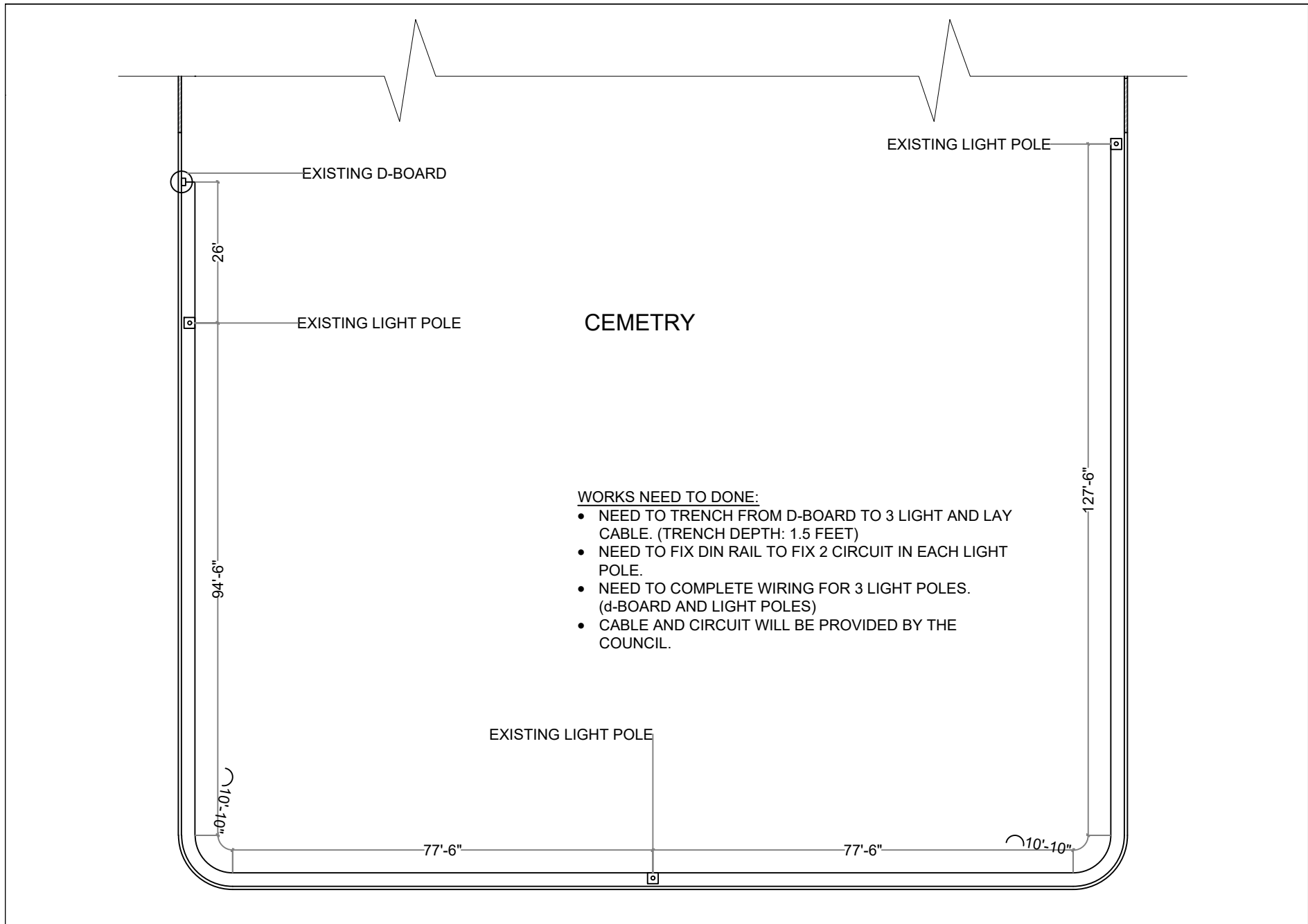
DETAILS - A



DETAILS - B



ROUND TARPULIN HOOKS @ 1FEET



CEMETRY

WORKS NEED TO DONE:

- NEED TO TRENCH FROM D-BOARD TO 3 LIGHT AND LAY CABLE. (TRENCH DEPTH: 1.5 FEET)
- NEED TO FIX DIN RAIL TO FIX 2 CIRCUIT IN EACH LIGHT POLE.
- NEED TO COMPLETE WIRING FOR 3 LIGHT POLES. (d-BOARD AND LIGHT POLES)
- CABLE AND CIRCUIT WILL BE PROVIDED BY THE COUNCIL.