

APPROVED	<input type="checkbox"/>	APPROVED AS COMMENTED	<input type="checkbox"/>
REVISE & RESUBMIT	<input type="checkbox"/>	NOT APPROVED	<input type="checkbox"/>
CHECKED BY :	DATE :		
APPROVED BY :	DATE :		SEAL

**SPECIFICATION**

NUMBER	01 ELE.	1 SET
USE	HOSPITAL BED	
CONTROL	VARIABLE VOLTAGE VARIABLE FREQUENCY (VVVF)	
OPERATION	1C-2BC (SELECTIVE COLLECTIVE)	
CAPACITY	1000 KG	
SPEED	60 MPM	
SERVICE FL.	G, 1 & 2	
STOPS/OPENINGS	03 STOPS / 03 OPENINGS	
NON STOP FLOORS	NIL	
POWER	400 V 3 PHASE 50 HZ	
LIGHTING	230 V 1 PHASE 50 HZ	
TYPE & SIZES OF LANDING/CAR DOOR	2 PANEL SIDE SLIDING AUTOMATIC DOORS 1200MM(W) x 2100MM(H)	
TRACTION MACHINE	PM011SR	
TRACTION SHEAVE	Ø410	
MOTOR	6.2 KW	
CAR RAIL	175-3/B	
CWT RAIL	5kg/m	

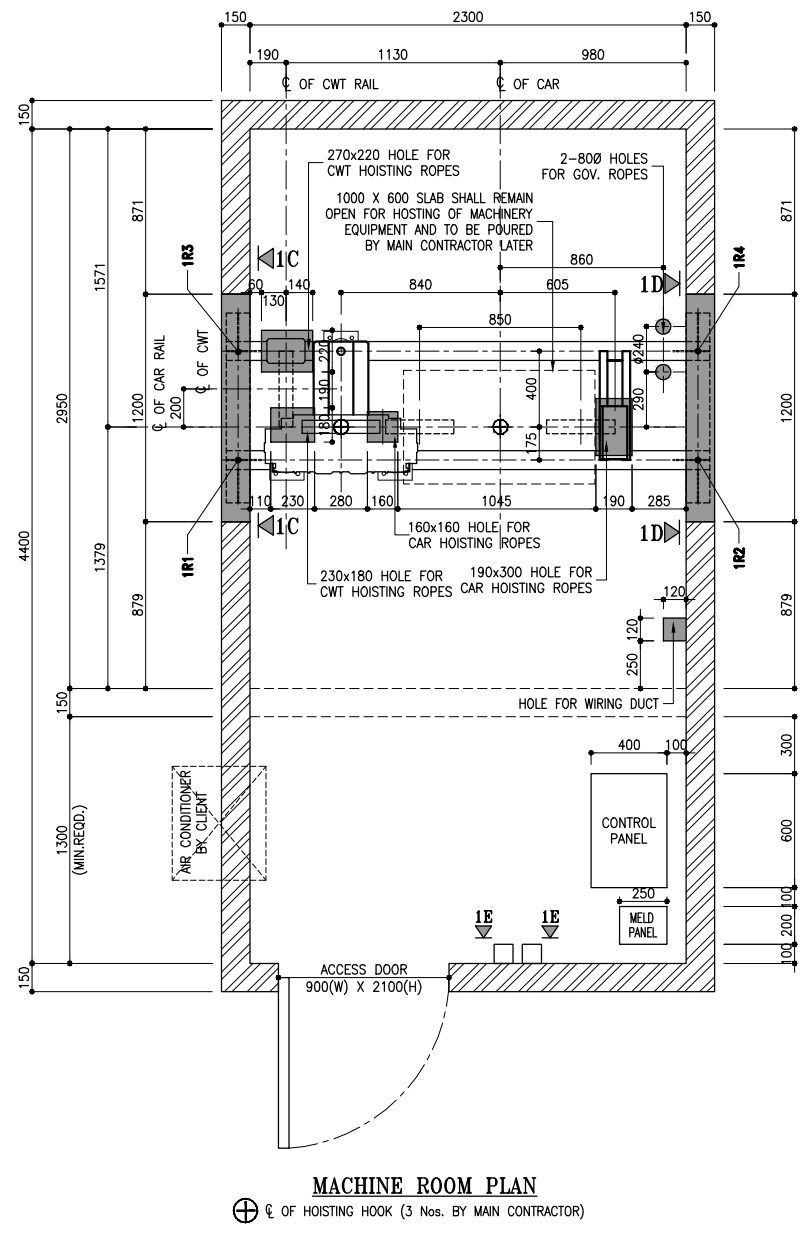
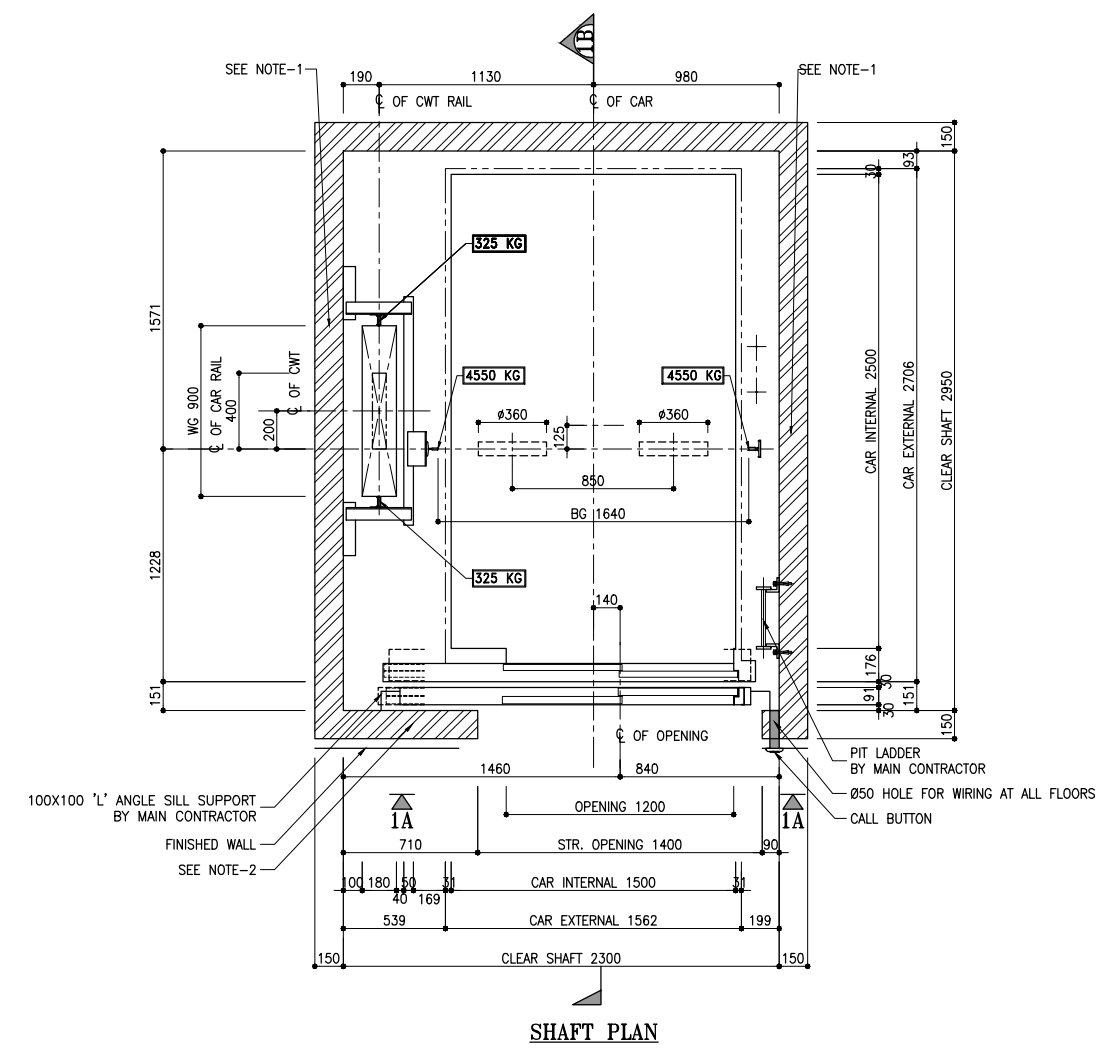
- SPECIAL NOTE**
- VOLTAGE FLUCTUATION SHALL BE WITHIN A RANGE OF + 5% ~ - 10%.
  - TEMPERATURE OF MACHINE ROOM SHALL BE BELOW 40 DEGREE CENTIGRADE
  - THE FOLLOWING CONDITIONS ARE REQUIRED FOR MAINTAINING PERFORMANCE OF THIS ELEVATOR.
    - MOISTURE SHOULD BE BELOW 90% ON MONTHLY AVERAGE AND BELOW 95% ON DAILY AVERAGE.
    - MACHINE ROOM AND ELEVATOR SHAFT SHOULD HAVE NO DUST OR CHEMICALLY HARMFUL GAS.
  - WALLS, FLOORS AND CEILINGS OF MACHINE ROOM MUST BE FINISHED BY MORTAR OR OTHERS TO PREVENT THE DUSTS OF CONCRETE.
  - ENTIRE CIVIL WORK INCLUDING CHIPPING, GROUTING, FINISHING, PAINTING ETC BY MAIN CONTRACTOR.

- REMARKS**
- : SECTION MARK SHOWS R. C. C. WALL.
  - : SECTION MARK SHOWS BLOCK WALL

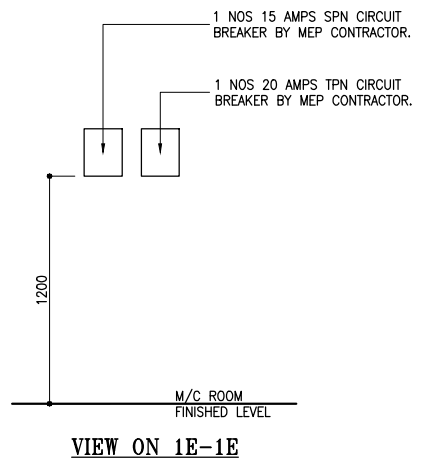
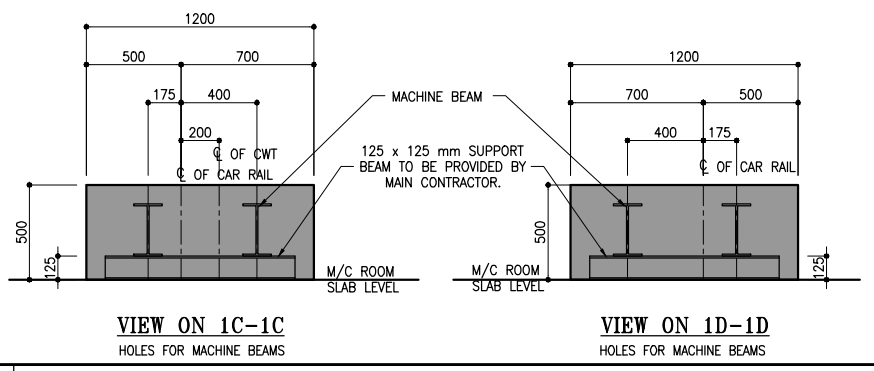
FOR SECTIONAL ELEVATION AT '1B', PLEASE REFER SHEET NO.02  
 FOR ENTRANCE VIEW AT '1A-1A', PLEASE REFER SHEET NO.02  
 G.FL : GROUND FLOOR (MAIN FLOOR)

**SHAFT PLAN & MACHINE ROOM PLAN FOR 01 ELE**

DRAWN BY : ANSARI	THIRD ANGLE PROJECTION	<b>ELEVATOR LAYOUT</b>	
CHECKED BY : RILA	DIM IN MM	LN NO.	REV. SHEET NO.
APPROVED BY : SIDDIQUE	SCALE : 1:20	LNL0930	A 01
	DATE : 23-10-2014	CONT. NO.	
		EML0465-01	



- NOTES:**
- 150(W) x 300(H) RCC BEAM TO BE PROVIDED FOR BRACKET FIXING AT EVERY BRACKET LEVEL BY MAIN CONTRACTOR.
  - 300MM HT. RCC LINTEL TO BE PROVIDED AT EVERY FLOOR TO THE ENTIRE WIDTH OF THE SHAFT TO FIX THE HANGER CASE BY MAIN CONTRACTOR.



**REACTION LOADS**

1R1	3450 KG
1R2	2500 KG
1R3	4000 KG
1R4	1400 KG

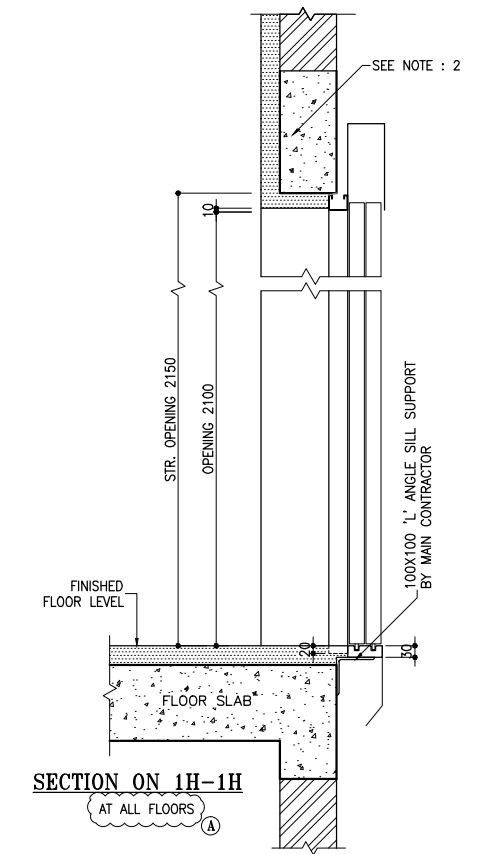
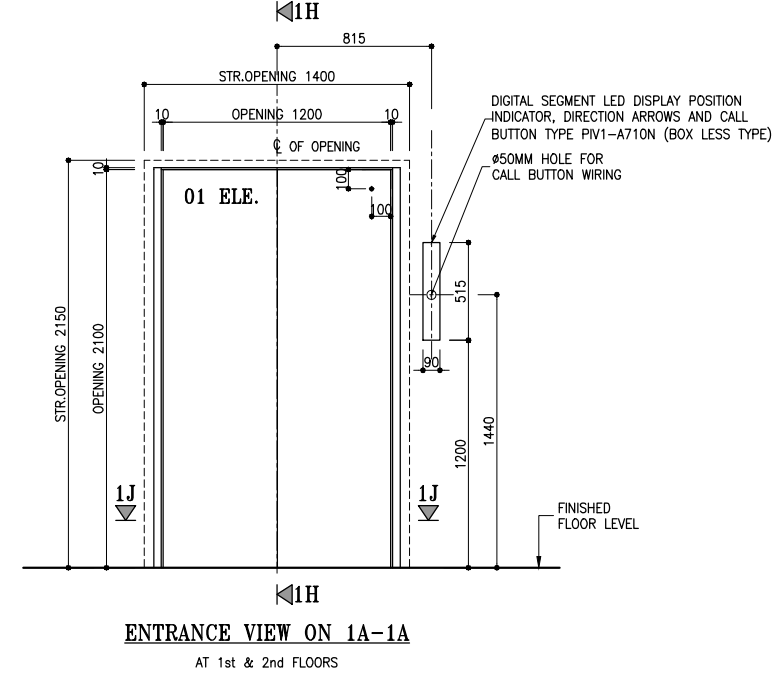
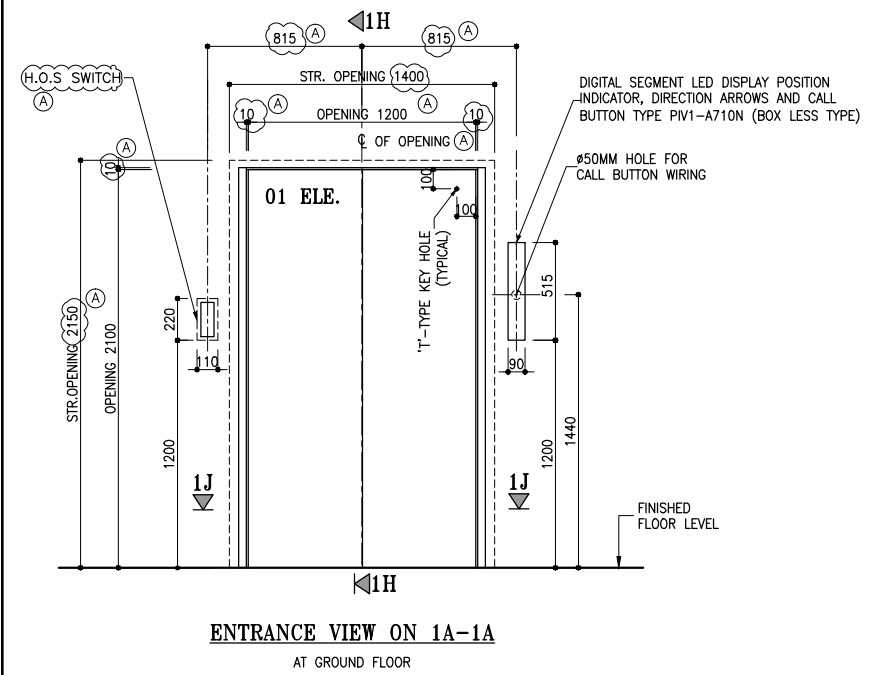
**POWER FEEDER DETAILS**

MOTOR	(kW)	6.2
FULL LOAD UP CURRENT	(A)	16
FULL LOAD ACCELERATION CURRENT	(A)	27
NO FUSE BREAKER IN THE MACHINE ROOM	(A)	20
NORMAL POWER SUPPLY CAPACITY	(kVA)	7
HEAT EMISSION	(kcal/h)	1340

PROJECT/CLIENT:  
 IGMH VILLINGILLI HOSPITAL,  
 VILLINGILLI,  
 REPUBLIC OF MALDIVES.

APPROVED BY THE OWNER / ARCHITECT / CONSULTANT

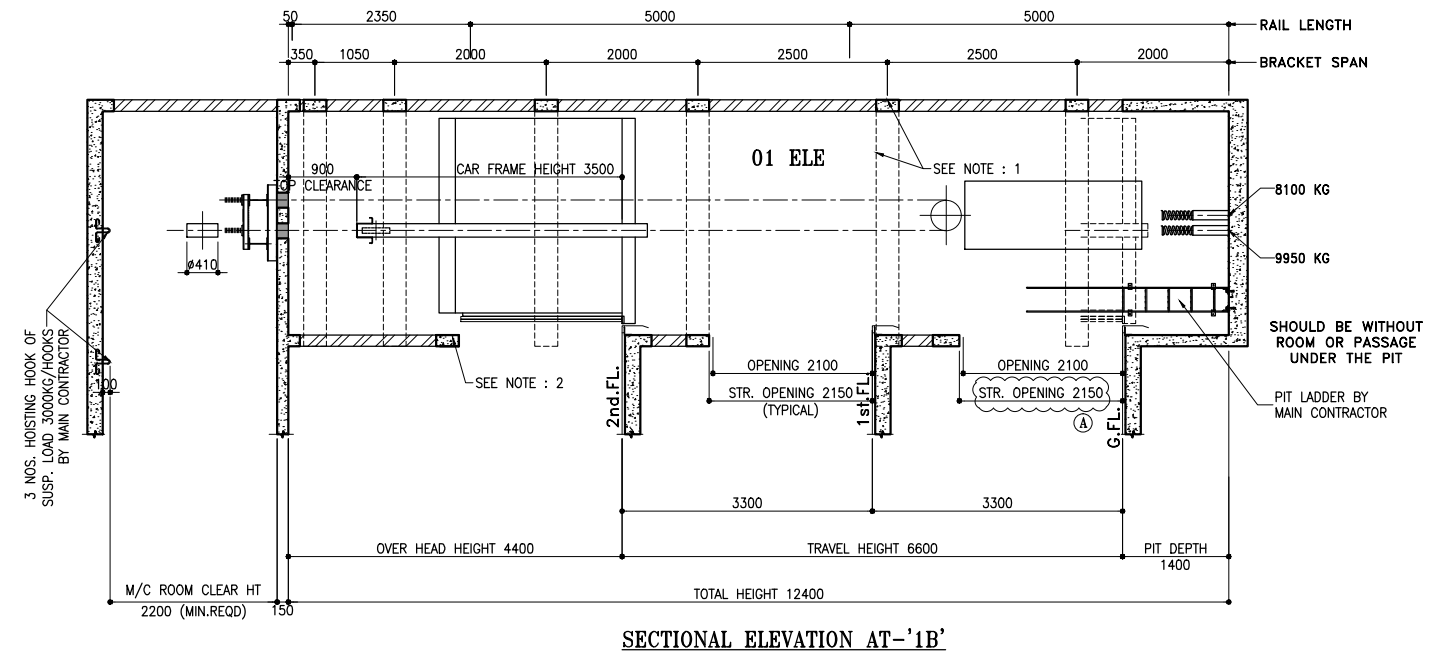
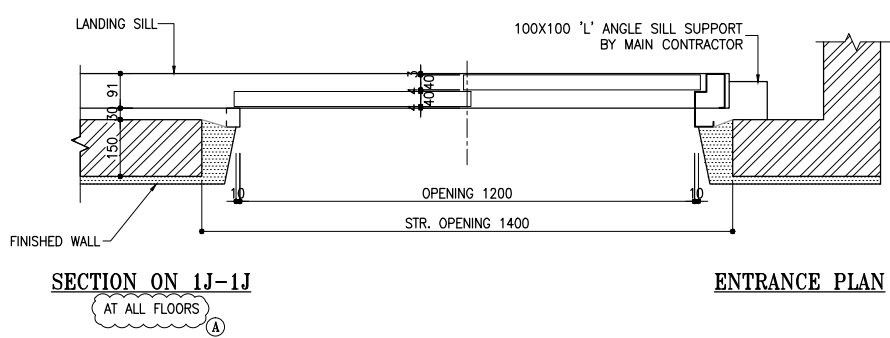
APPROVED	<input type="checkbox"/>	APPROVED AS COMMENTED	<input type="checkbox"/>
REVISE & RESUBMIT	<input type="checkbox"/>	NOT APPROVED	<input type="checkbox"/>
CHECKED BY :	DATE :		
APPROVED BY :	DATE :		SEAL



FLOOR NAMES	INDICATOR TYPE	BOX SIZE	CUT OUT SIZE ON FINISHED WALL
AT G FLOOR	H.O.S SWITCH	70(W)X180(H)	75(W)X185(H) (A)
AT ALL FLOORS	PIV1-A710N	BOX LESS	30Ø HOLE

NOTES:

- 150(W) x 300(H) RCC BEAM TO BE PROVIDED FOR BRACKET FIXING AT EVERY BRACKET LEVEL BY MAIN CONTRACTOR.
- 300MM HT. RCC LINTEL TO BE PROVIDED AT EVERY FLOOR TO THE ENTIRE WIDTH OF THE SHAFT TO FIX THE HANGER CASE BY MAIN CONTRACTOR.



ENTRANCE VIEWS, SECTION, PLAN & SECTIONAL ELEVATION FOR 01 ELE

DRAWN BY : ANSARI	THIRD ANGLE PROJECTION	ELEVATOR LAYOUT	
CHECKED BY : RILA	DIM IN MM	LN NO.	REV. SHEET No.
APPROVED BY : SIDDIQUE	SCALE : 1:10, 1:20, 1:50	LNL0930	A 02
	DATE : 23-10-2014	CONT. NO.	
MITSUBISHI ELEVATORS & ESCALATORS		EML0465-01	

REVISION  
 05-02-2015  
 A  
 REVISED AS MARKED  
 (BUVAAMEEN)