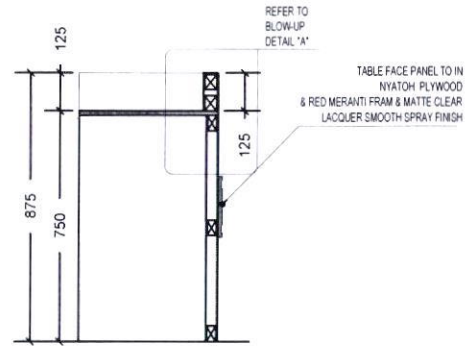
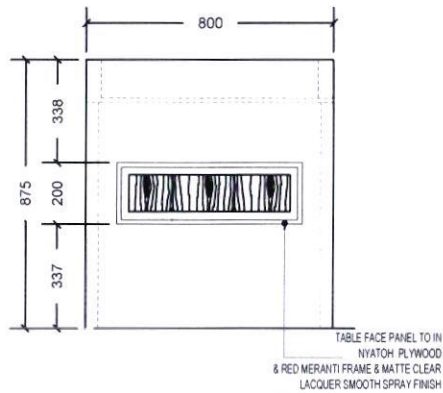
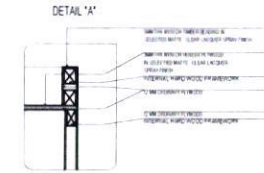


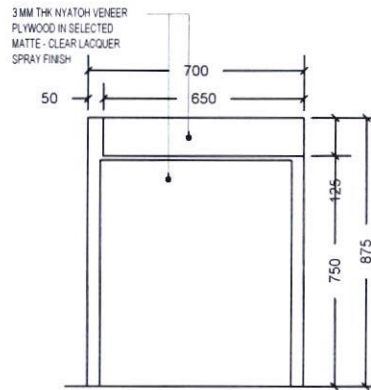
PLAN VIEW



SECTION



FRONT ELEVATION



REAR ELEVATION

NOTE:

ALL TIMBERS WHICH ARE USED FOR THE STANDARD EXTERNAL FRAMEWORK TO BE APPLIED WITH SOLIGNUM TIMBER TREATMENT CHEMICAL OR EQUIVALENT, 24 HOURS BEFORE USING ON THE FRAMEWORK.

ALL SIDES TO BE FINISHED WITH NATURAL VENEER OF THE SAME WOOD USED ON THE RESPECTIVE PART OF THE FURNITURE.



REGISTRARS'/LAWYER'S/WITNESS' TABLE
TABLE DETAILS