

بِسْمِ اللّٰهِ الرَّحْمٰنِ الرَّحِیْمِ



مَدْرَسَةُ تَلْمِذَاتِ الْعِلْمِ
مَدْرَسَةُ تَلْمِذَاتِ الْعِلْمِ
ر.ر. قَاعَةُ تَلْمِذَاتِ الْعِلْمِ

مَدْرَسَةُ تَلْمِذَاتِ الْعِلْمِ

مَدْرَسَةُ تَلْمِذَاتِ الْعِلْمِ
ر.ر. قَاعَةُ تَلْمِذَاتِ الْعِلْمِ

مَدْرَسَةُ تَلْمِذَاتِ الْعِلْمِ

246/PROJ/2026/1

مَدْرَسَةُ تَلْمِذَاتِ الْعِلْمِ

(IUL)246/246/2026/40

مَدْرَسَةُ تَلْمِذَاتِ الْعِلْمِ

30 رَجَبِ 1448

1 (رَبِيعِ الثَّانِي 1448)



<p>1 - 1, 2026</p>	
<p>2026</p>	<p>2026</p>
<p>1.1</p> <p>2026</p> <p>2026</p> <p>2026</p>	<p>2026</p> <p>2026</p> <p>2026</p> <p>2026</p>
<p>1.2</p> <p>2026</p> <p>2026</p> <p>2026</p>	<p>2026</p> <p>2026</p> <p>2026</p> <p>2026</p>
<p>1.3</p> <p>2026</p> <p>2026</p> <p>2026</p>	<p>2026</p> <p>2026</p> <p>2026</p> <p>2026</p>
<p>1.4</p> <p>2026</p> <p>2026</p> <p>2026</p>	<p>2026</p> <p>2026</p> <p>2026</p> <p>2026</p>
<p>1.5</p> <p>2026</p> <p>2026</p> <p>2026</p>	<p>2026</p> <p>2026</p> <p>2026</p> <p>2026</p>
<p>1.6</p> <p>2026</p> <p>2026</p> <p>2026</p>	<p>2026</p> <p>2026</p> <p>2026</p> <p>2026</p>
<p>1.7</p> <p>2026</p> <p>2026</p> <p>2026</p>	<p>2026</p> <p>2026</p> <p>2026</p> <p>2026</p>
<p>1.8</p> <p>2026</p> <p>2026</p> <p>2026</p>	<p>2026</p> <p>2026</p> <p>2026</p> <p>2026</p>
<p>1.9</p> <p>2026</p> <p>2026</p> <p>2026</p>	<p>2026</p> <p>2026</p> <p>2026</p> <p>2026</p>
<p>1.10</p> <p>2026</p> <p>2026</p> <p>2026</p>	<p>2026</p> <p>2026</p> <p>2026</p> <p>2026</p>

<p>21 13-K/CIR/2018/01</p>	<p>PR-16</p>	<p>3-1</p>
<p>3-1-1, 3-1-2, 3-1-3, 3-1-4, 3-1-5</p>		
<p>3-1-1</p> <p>3-1-2</p> <p>3-1-3</p> <p>3-1-4</p> <p>3-1-5</p>	<p>3-1-1</p> <p>3-1-2</p> <p>3-1-3</p> <p>3-1-4</p> <p>3-1-5</p>	<p>3-1</p>
<p>3-2-1</p> <p>3-2-2</p> <p>3-2-3</p>	<p>3-2-1</p> <p>3-2-2</p> <p>3-2-3</p>	<p>3-2</p>
<p>3-3-1</p>	<p>3-3-1</p>	<p>3-3</p>
<p>3-4-1</p> <p>3-4-2</p> <p>3-4-3</p>	<p>3-4-1</p> <p>3-4-2</p> <p>3-4-3</p>	<p>3-4</p>
<p>3-5-1</p> <p>3-5-2</p>	<p>3-5-1</p> <p>3-5-2</p>	<p>3-5</p>

Form of Bid Security (Bank Guarantee)

WHEREAS,[name of Bidder] (hereinafter called “the Bidder”) has submitted his Bid for the Project no.....issued by the Ministry of Finance and Treasury onfor construction of [name of Contract] (hereinafter called “the Bid”).

KNOW ALL PEOPLE by these presents that We [name of Bank] of [name of country] having our registered office at (hereinafter called “the Bank”) are bound unto [name of Purchaser] (hereinafter called “the Purchaser”) in the sum of *..... for which payment well and truly to be made to the said Purchaser, the Bank binds itself, its successors, and assigns by these presents.

SEALED with the Common Seal of the said Bank thisday of20.....

THE CONDITIONS of this obligation are:

- (1) If, after Bid opening, the Bidder withdraws his Bid during the period of Bid validity specified in the Form of Bid;
- or
- (2) If the Bidder having been notified of the acceptance of his Bid by the Purchaser during the period of Bid validity:
 - (a) fails or refuses to execute the Form of Agreement in accordance with the Instructions to Bidders, if required; or
 - (b) fails or refuses to furnish the Performance Security, in accordance with the Instruction to Bidders; or
 - (c) does not accept the correction of the Bid Price pursuant to Clause 27,

* The Bidder should insert the amount of the Guarantee in words and figures denominated in Maldivian Rufiyaa. This figure should be the same as shown in Clause 16.1.7 of the Instructions to Bidders.

we undertake to pay to the Purchaser up to the above amount upon receipt of his first written demand, without the Purchaser’s having to substantiate his demand, provided that in his demand the Purchaser will note that the amount claimed by him is due to him owing to the occurrence of one or any of the three conditions, specifying the occurred condition or conditions.

This Guarantee will remain in force up to and including the date days after the deadline for submission of bids as such deadline is stated in the Instructions to Bidders or as it may be extended by the Purchaser, notice of which extension(s) to the Bank is hereby waived. Any demand in respect of this Guarantee should reach the Bank not later than the above date.

DATE..... SIGNATURE OF THE BANK

WITNESS SEAL

[signature, name, and address]

Form of Performance Bank Guarantee (Unconditional)

To:
[name & address of Purchaser]

WHEREAS [name and address of Supplier] (hereinafter called "the Supplier") has undertaken, in pursuance of Contract No. dated to execute [name of Contract and brief description of Works] (hereinafter called "the Contract");

AND WHEREAS it has been stipulated by you in the said Contract that the Supplier shall furnish you with a Bank Guarantee by a recognized bank for the sum specified therein as security for compliance with his obligations in accordance with the Contract;

AND WHEREAS we have agreed to give the Supplier such a Bank Guarantee;

NOW THEREFORE we hereby affirm that we are the Guarantor and responsible to you, on behalf of the Supplier, up to a total of * [amount of Guarantee] [amount in words], such sum being payable in the types and proportions of currencies in which the Contract Price is payable, and we undertake to pay you, upon your first written demand and without cavil or argument, any sum or sums within the limits of [amount of Guarantee] as aforesaid without your needing to prove or to show grounds or reasons for your demand for the sum specified therein.

*An amount is to be inserted by the Guarantor, representing the percentage of the Contract Price specified in the Contract, in Maldivian Rufiyaa.

We hereby waive the necessity of your demanding the said debt from the Supplier before presenting us with the demand.

We further agree that no change or addition to or other modification of the terms of the Contract or of the Works to be performed there under or of any of the Contract documents which may be made between you and the Supplier shall in any way release us from any liability under this Guarantee, and we hereby waive notice of any such change, addition, or modification.

This Guarantee shall be valid until the date of issue of the Defects Correction Certificate.

SIGNATURE AND SEAL OF THE GUARANTOR
Name of Bank
Address
.....
.....
Date

SPECIFICATIONS	
GENERAL	
Type	Excavator
Brands	JCB/Kobelco
Recommended Brand/Model	JCB 55z
Condition	Brand New
Year Of Manufacture	2019 or later
Color	Standard Color
ENGINE	
Model	PERKINS Stage 3A 404D-22 / YANMAR 4TNV88-B
Type	Water-Cooled / Diesel Engine
Fuel	Diesel
Gross Power ISO 14396 (KW)	35.7 @2600rpm
Net Power (KW)	33.1 @2600rpm
Gross Torque ISO 14396 (Nm)	143 @1800rpm
Displacement (CC)	2,179
Fuel Tank (L)	70L or more
Gradeability (Degrees)	35
Starter Motor (KW)	2
Battery (Volt / Amps)	12v / 75Ah
Alternator (Amps/ Aircon)	85
HYDRAULIC SYSTEM	
Pump (CC)	63
Nominal Output 2000rpm (ipm)	126
Excavator/track Main Relief Pressure (bar)	265
Slew main Relief Pressure (bar)	216
Auxiliary hydraulic Pressure (Low) bar	190
Auxiliary hydraulic Pressure (High)bar	190
Auxiliary hydraulic Flow (Low)ipm	40
Auxiliary hydraulic Flow (High)ipm	90
Hydraulic Pump	Piston
Hydraulic System (L)	100
Hydraulic Tank (L)	55
Engine Oil	9.1 Max
UNDERCARRIAGE	
Ground Bearing Pressure 400mm tracks	0.35
Ground Bearing Pressure 550mm tracks	0.25
Parking Brake	Oil Disk Brake Per Motor
Travel Speed	3 / 4.6
WEIGHTS	
Operating Weight (400mm Steel Tracks) kg	5520
Shipping Weight (400mm Steel Tracks) kg	5390
Operating Weight (550mm Steel Tracks) kg	5642

7.4 ڳاڻو سڙو ڳاڻو

ڪوئلا سڙو ڳاڻو 50Z/51R/55Z: KOBELCO/JCB

7.5 ڳاڻو سڙو ڳاڻو سڙو ڳاڻو سڙو ڳاڻو

SPECIFICATION		50Z/51R/55Z MINI EXCAVATOR			
STATIC DIMENSIONS					
Machine model		50z	51R	55z	
A	Sprocket idler centres	mm	1985		
B	Track length on ground	mm	1985		
C	Undercarriage overall length – steel	mm	2490		
D	Kingpost clearance	mm	631		
E	Tailswing radius	mm	975	1030	975
F	Overall width of superstructure	mm	1820	1850	1845
G	Height over cab	mm		2551	
H	Ground clearance	mm		300	
I	Track gauge	mm		1550	
J	Width over tracks	mm		1950	
K	Transport length with standard dipper	mm	5353	5349	5518
L	Track height	mm		560	
M	Counterweight clearance	mm		618	

ENGINE

		Standard
Machine model		50z, 51r, 55z
Model		Stage 3A 404D-22
Fuel		Diesel
Cooling		Water cooled
Gross power ISO 14396	kW	35.7 (@ 2600rpm)
Net power	kW	33.1 (@ 2600rpm)
Gross torque ISO 14396	Nm	143 (@ 1800rpm)
Displacement	cc	2179
Gradeability	degrees	35
Starter motor	kW	2
Battery	volt / amps	12V / 75Ah
Alternator	amps (Air con)	85

DOZER

Machine model		50z	51r	55z
Dozer length	mm		1141	
Max height above ground	mm		433	
Dig depth below ground	mm		464	
Approach angle	degrees		31	
Width	mm		1962	
Height	mm		400	

UNDERCARRIAGE

Machine model		50z	51R	55z
No of top rollers			1	
No of bottom rollers			4	
Track width steel	mm		400	
Ground bearing pressure (400mm tracks)	kg/cm ²	0.30	0.32	0.35
Ground bearing pressure (550mm tracks)	kg/cm ²	0.22	0.23	0.25
Track tensioning			Grease	
Travel speed – low	kph		3	
Travel speed – high	kph		4.6	
Tractive effort	kN	35.7	36.5	38.1

HYDRAULIC SYSTEM

Machine model		50z	51R	55z
Pump	cc		63	
Nominal output @ 2000rpm	lpm		126	
Excavator/track main relief pressure	bar	240		265
Slew main relief pressure	bar		216	
Auxiliary hydraulic pressure (Low)	bar		190	
Auxiliary hydraulic pressure (High)	bar		190	
Auxiliary hydraulic flow (Low)	lpm		40	
Auxiliary hydraulic flow (High)	lpm		90	
Hydraulic pump			Piston	

WEIGHTS

Machine model		50z	51R	55z
Operating weight* (400mm steel tracks)	kg	4946	5266	5520
Shipping** weight (400mm steel tracks)	kg	4816	5136	5390
Operating weight* (550mm steel tracks)	kg	5068	5388	5642
Shipping** weight (550mm steel tracks)	kg	4938	5258	5512

* Operating weight to ISO 6016 including cab, rubber tracks, standard dipper, 600mm bucket, full tanks and a 75kg operator.

** Shipping weight to ISO 6016 is mass of the base machine without an operator, with the fuel level at 10% of tank capacity.

SERVICE CAPACITIES

Machine model		50z	51R	55z
Fuel tank	ltr		76	
Engine coolant	ltr		12	
Engine oil	ltr		9.1 max	
Hydraulic system	ltr		100	
Hydraulic tank	ltr		55	

OPERATOR ENVIRONMENT

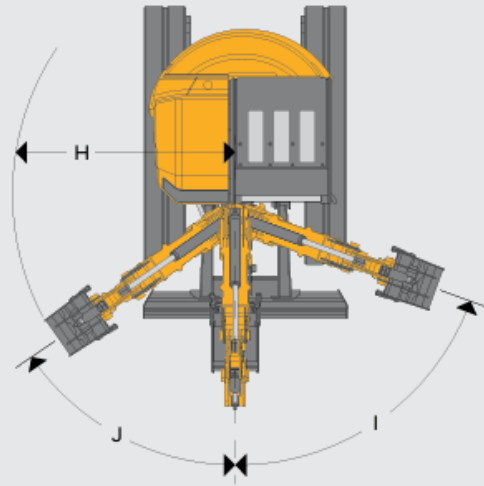
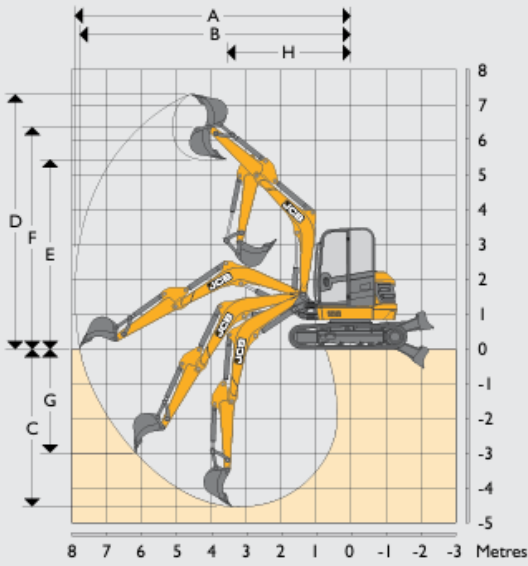
Machine model		50z	51R	55z
Cab/canopy height	mm		2551	
Cab/canopy height with FOGS guard LEVEL I	mm		2575	
Cab/canopy length	mm		1291	
Cab/canopy width	mm		1020	
Door aperture width	mm		552	

STANDARD EQUIPMENT

ROPS & TOPS certified canopy, colour LCD display, digital clock, internal lockable toolbox, cup holder, coat hook, storage net, USB port, 12v accessory socket, operator face fan, steel track (400mm), full audio/visual warning systems, auto idle throttle, one touch idle, 4 power bands (light,eco,heavy & heavy plus), ISO servo controls with electro hydraulic dozer lever, electro-proportional thumb controlled high flow single acting auxiliary, joystick mounted hammer switch, neutral start function, full control isolation, 2GO hydraulic isolation, midback suspension seat, removable floormat, 2 speed tracking, auto kickdown track motors, double element air cleaner, heavy duty alternator, heavy duty battery, hydraulic slew braking with disc type park brake, ORFS hydraulics, colour coded hydraulic hoses, 500hrs dig end greasing intervals, heavy duty boom cylinder guard, 100% steel bodyworks, dedicated tie down and lifting points, JCB LiveLink, battery isolator, tool kit, exterior cab mounted mirrors & bushed kingpost.

OPTIONAL EQUIPMENT

Protected boom worklight, fully glazed ROPS &TOPS certified cab with programmable Intermittent wiper with wash/wipe, 3 speed heater/demister with 8 adjustable air vents, air conditioning with 8 adjustable air vents, track shoe options 550mm steel, arm option (1.45m, 1.57m), buckets (450mm, 600mm, 750mm, 900mm), fan guards, high back seat, quick hitch, hydraulic hammers, travel alarm, grease gun & cartridge, fire extinguisher, interior mirror, electric refuelling pump, duel pattern controls (ISO/SAE change-over) & LED or halogen worklights.



		50z	51R	55z	
	Dipper length	mm	1450	1570	
	Boom length	mm	2700	2866	
A	Max digging reach	mm	5846	5962	6119
B	Max digging reach on ground	mm	5714	5832	5995
	C Max digging depth – dozer up	mm	3327	3447	3606
	Max digging depth – dozer down	mm	3532	3652	3843
D	Max digging height	mm	5387	5473	5664
E	Max dump height	mm	4001	4088	4274
F	Max height to dipper nose pivot pin	mm	4679	4764	4970
G	Max vertical wallcut depth	mm	1971	2069	2052
	H Min front swing radius (no offset)	mm	2599	2631	2641
	Min front swing radius (fully offset)	mm	2123	2151	2160
I	Boom swing left	degrees		70	
J	Boom swing right	degrees		55	
	Bucket rotation	degrees		181	
	Dipper rotation	degrees		121	
	Bucket tearout	kN	38		42
	Dipper tearout	kN	22	21	29
	Slew speed	rpm		8.3	

