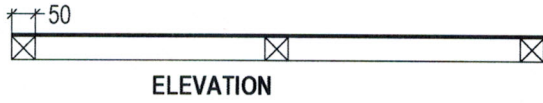
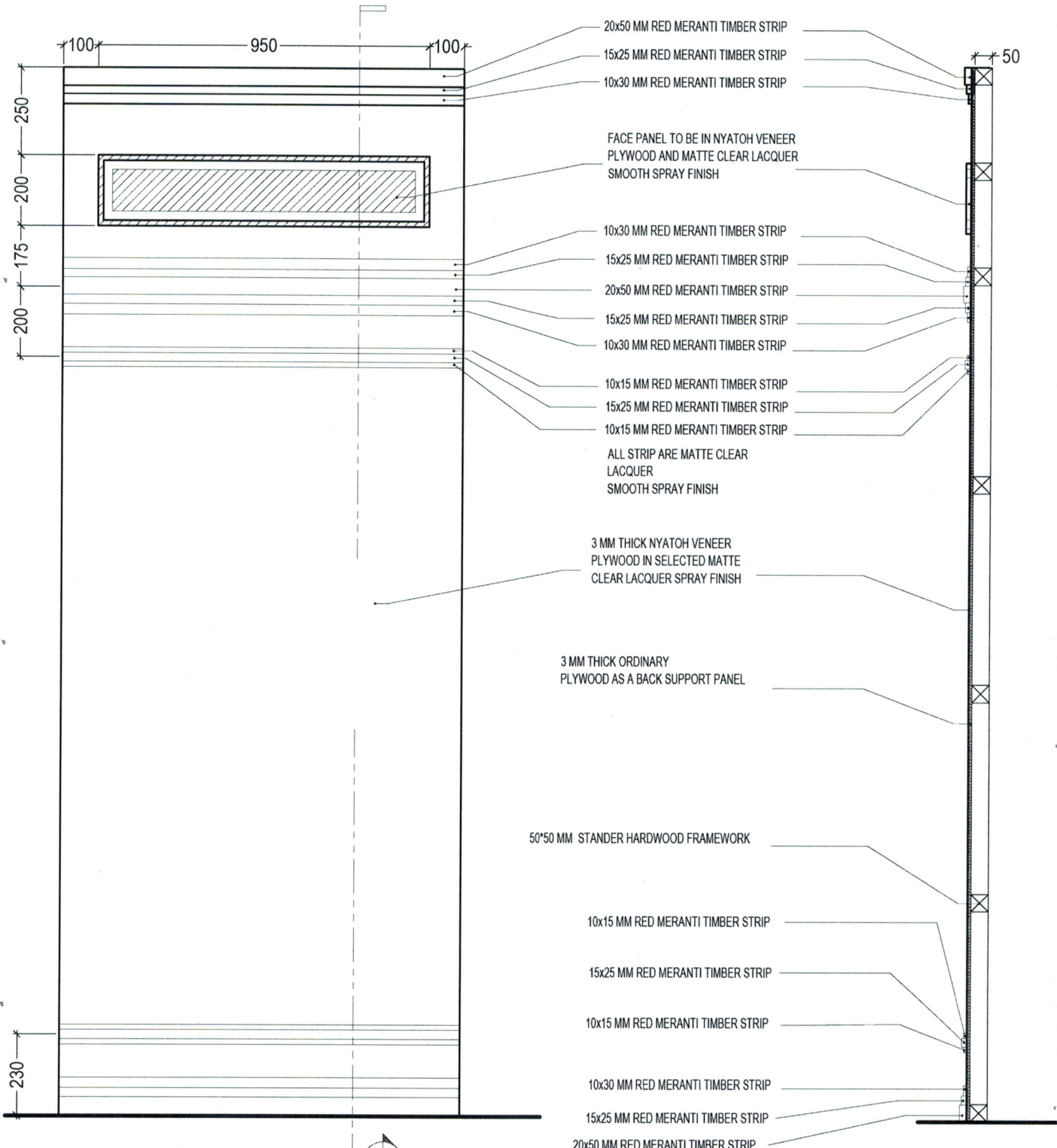


AR
2 5
SCALE

COURT ROOM BACK PANELS DETAILS



ELEVATION



- 20x50 MM RED MERANTI TIMBER STRIP
- 15x25 MM RED MERANTI TIMBER STRIP
- 10x30 MM RED MERANTI TIMBER STRIP

FACE PANEL TO BE IN NYATOH VENEER PLYWOOD AND MATTE CLEAR LACQUER SMOOTH SPRAY FINISH

- 10x30 MM RED MERANTI TIMBER STRIP
- 15x25 MM RED MERANTI TIMBER STRIP
- 20x50 MM RED MERANTI TIMBER STRIP
- 15x25 MM RED MERANTI TIMBER STRIP
- 10x30 MM RED MERANTI TIMBER STRIP

- 10x15 MM RED MERANTI TIMBER STRIP
- 15x25 MM RED MERANTI TIMBER STRIP
- 10x15 MM RED MERANTI TIMBER STRIP

ALL STRIP ARE MATTE CLEAR LACQUER SMOOTH SPRAY FINISH

3 MM THICK NYATOH VENEER PLYWOOD IN SELECTED MATTE CLEAR LACQUER SPRAY FINISH

3 MM THICK ORDINARY PLYWOOD AS A BACK SUPPORT PANEL

50*50 MM STANDER HARDWOOD FRAMEWORK

- 10x15 MM RED MERANTI TIMBER STRIP
- 15x25 MM RED MERANTI TIMBER STRIP
- 10x15 MM RED MERANTI TIMBER STRIP
- 10x30 MM RED MERANTI TIMBER STRIP
- 15x25 MM RED MERANTI TIMBER STRIP
- 20x50 MM RED MERANTI TIMBER STRIP

FRONT ELEVATION

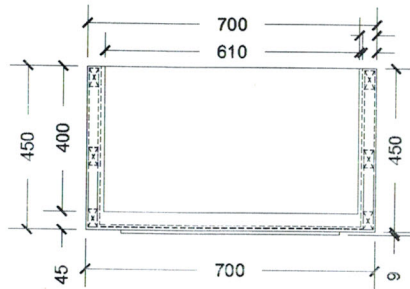


SECTION - A

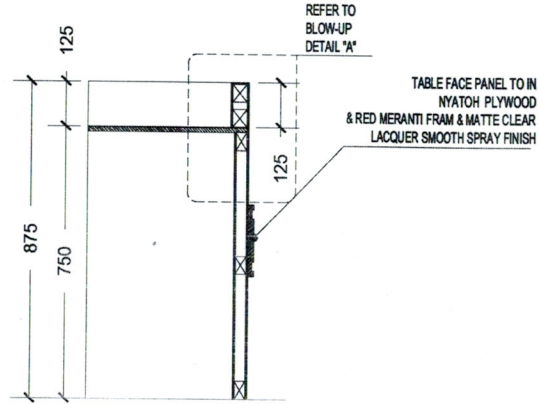


COURT ROOM BACK PANELS DETAILS

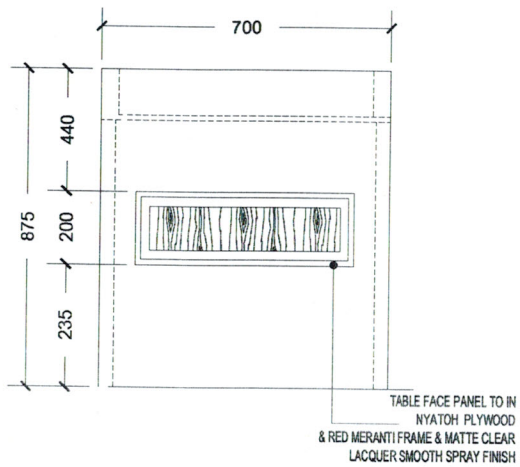
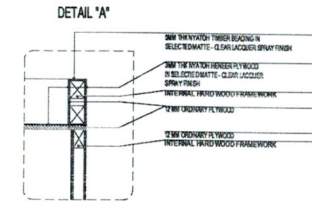
SCALE



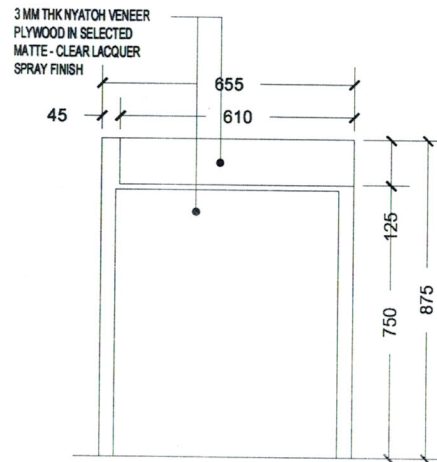
PLAN VIEW



SECTION



FRONT ELEVATION



REAR ELEVATION

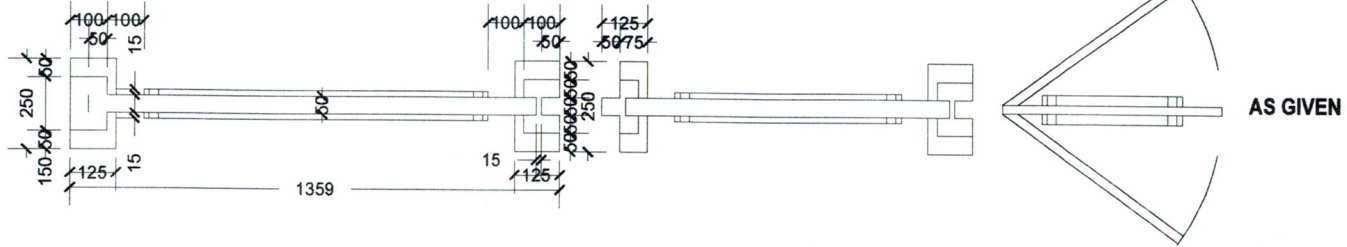
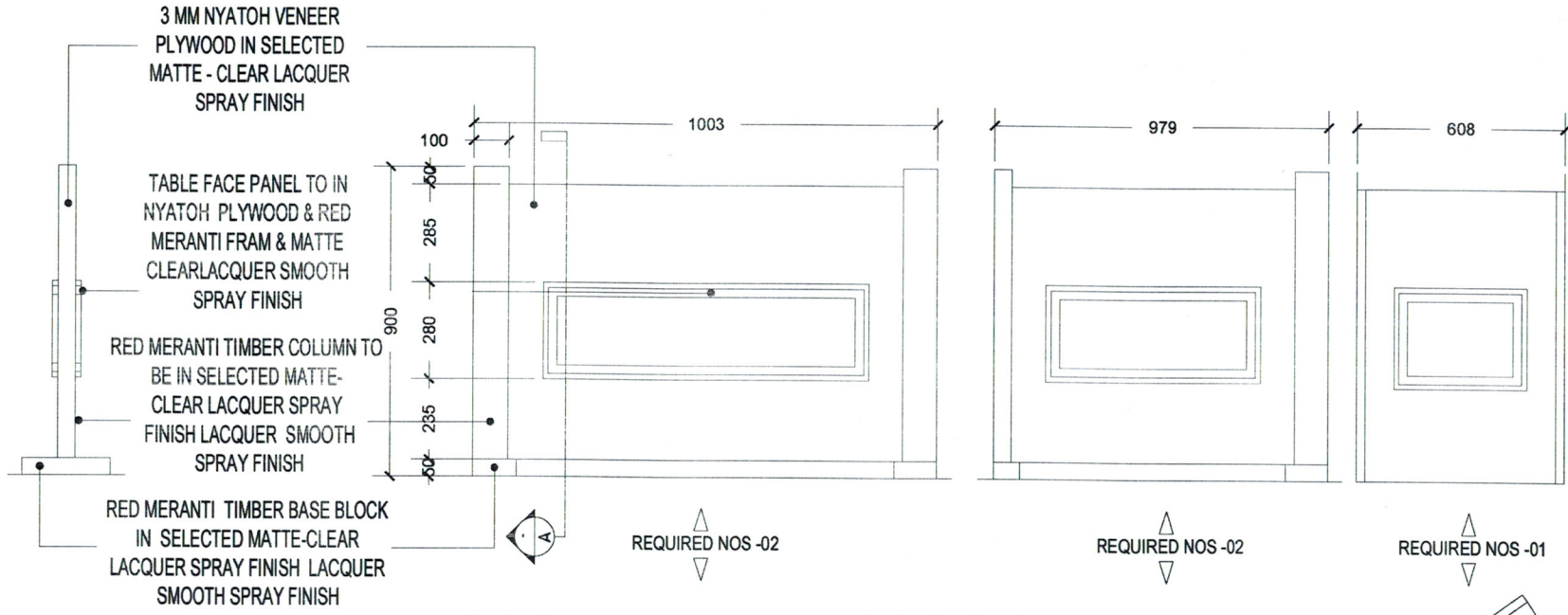
NOTE:

ALL TIMBERS WHICH ARE USED FOR THE STANDARD EXTERNAL FRAMEWORK TO BE APPLIED WITH SOLIGNUM TIMBER TREATMENT CHEMICAL OR EQUIVALENT, 24 HOURS BEFORE USING ON THE FRAMEWORK.

ALL SIDES TO BE FINISHED WITH NATURAL VENEER OF THE SAME WOOD USED ON THE RESPECTIVE PART OF THE FURNITURE.

REGISTRARS'/LAWYER'S/WITNESS' TABLE
TABLE DETAILS





ALL THE TIMBERS WHICH ARE USED FOR THE STANDARD INTERNAL FRAME WORK TO BE APPLIED WITH SOLIGNUM TIMER TREATMENT CHEMICAL OR EQUIVALENT, 24HRS BEFORE USING ON THE FRAMEWORK

ALL THIN SIDE TO BE FINISHED WITH NATURAL VENEER OF THE SAME WOOD USED ON THE RESPECTIE PART OF THE FURNITURE

 **DIVIDER PARTITION DETAIL**
1:20

