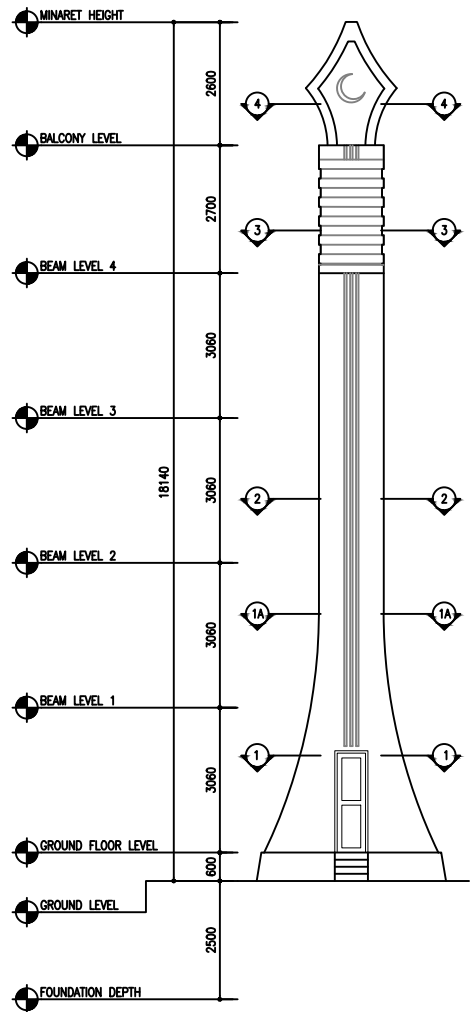
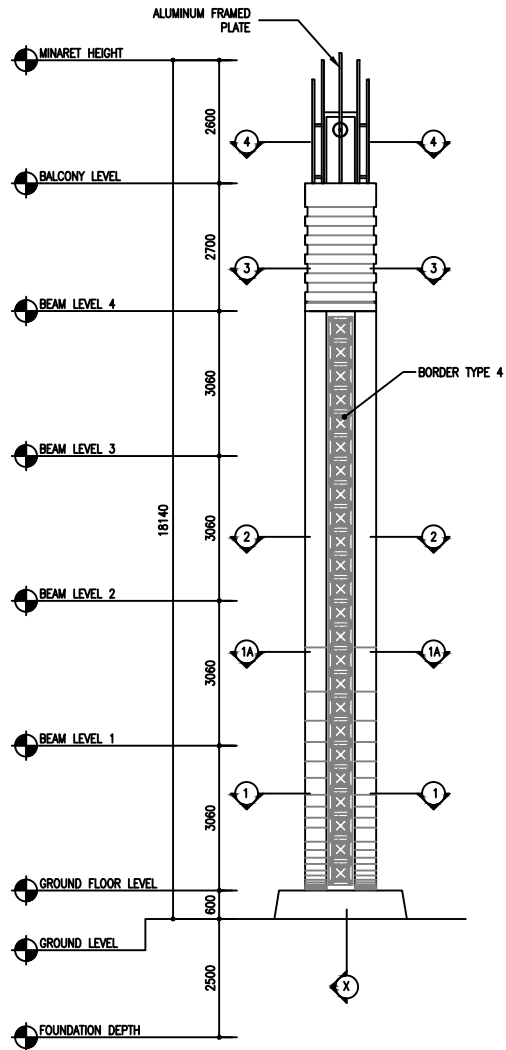
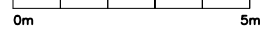


MINARET
ARCHITECTURAL DRAWINGS



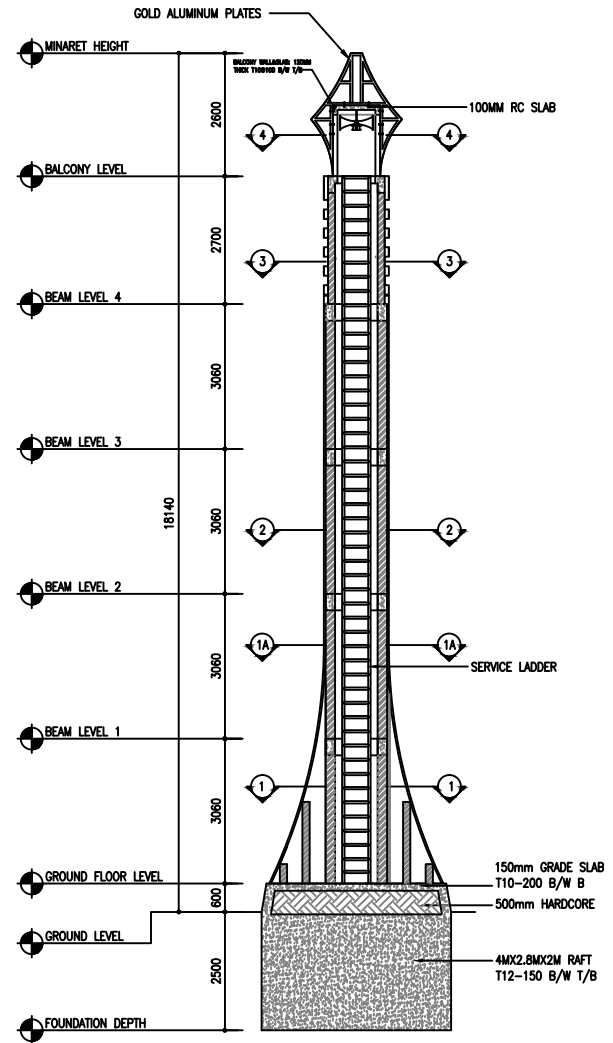
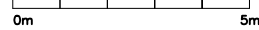
ELEVATION E1

SCALE 1:100



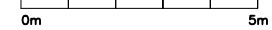
ELEVATION E2

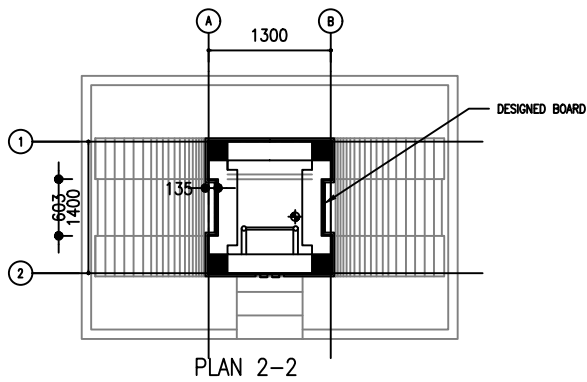
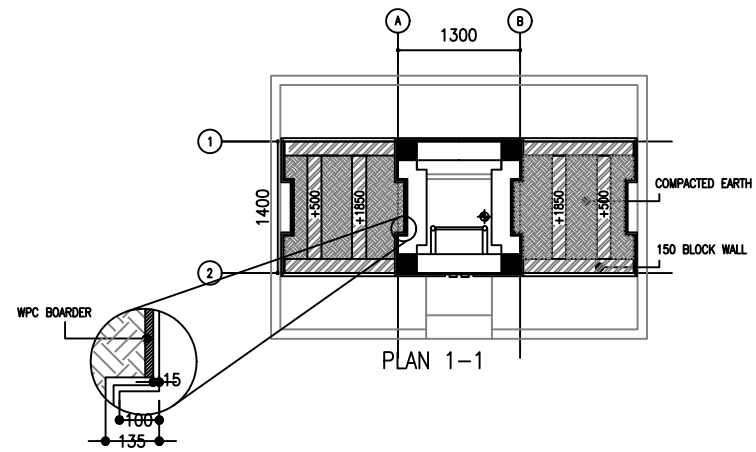
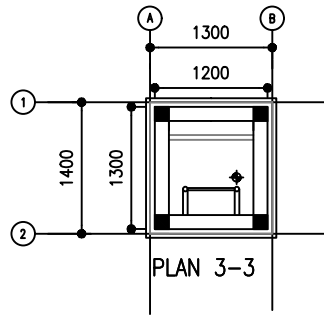
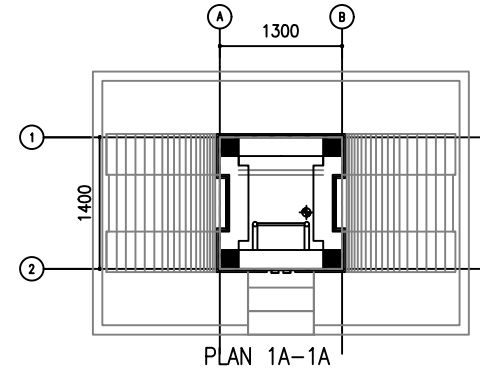
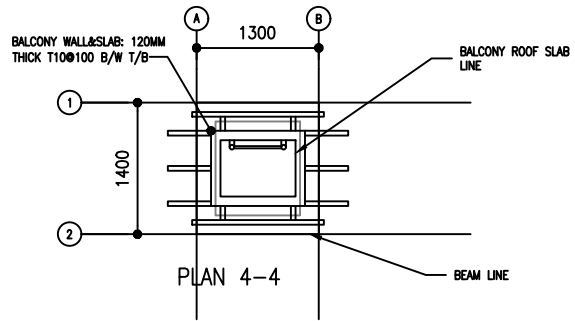
SCALE 1:100

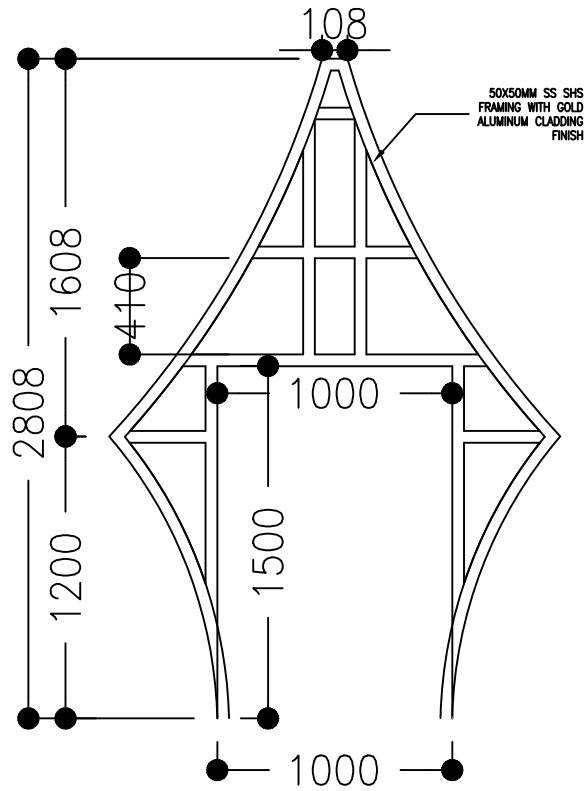


SECTION X-X

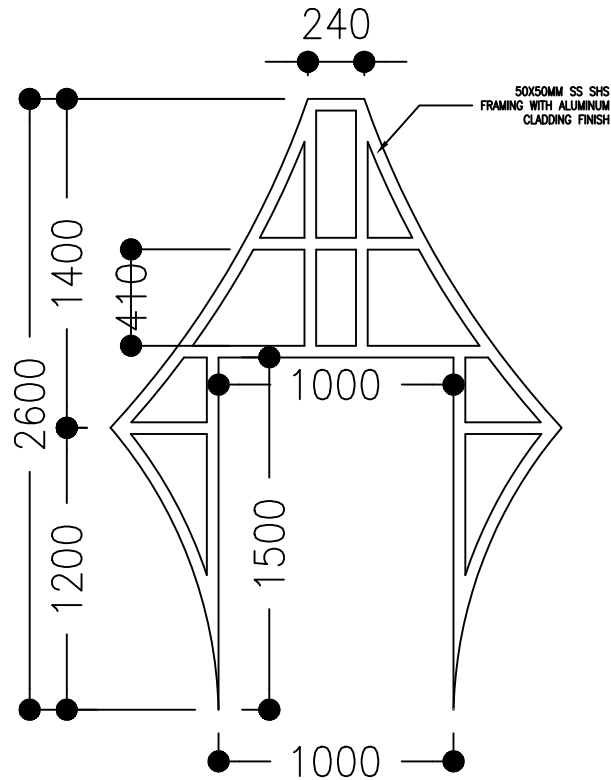
SCALE 1:100



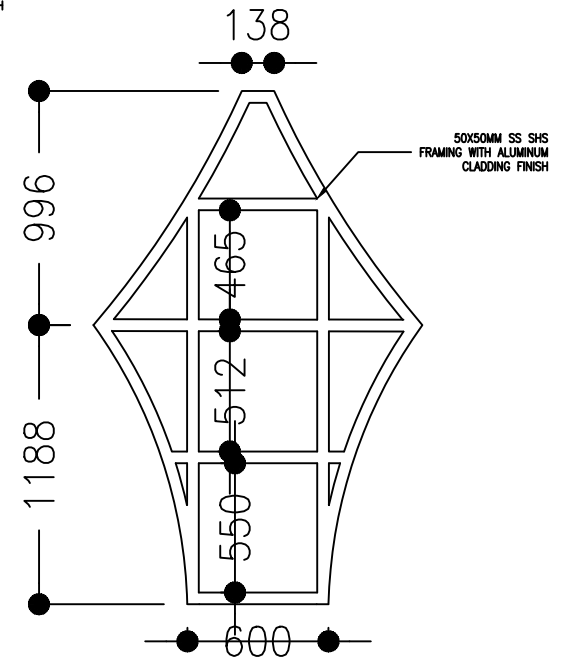




MINARETE TOP PLATE 1(FRAME)- CENTER
SCALE 1:20

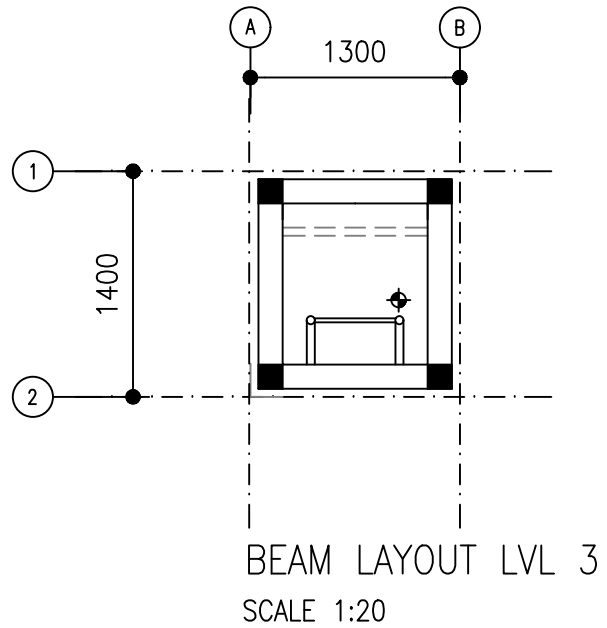
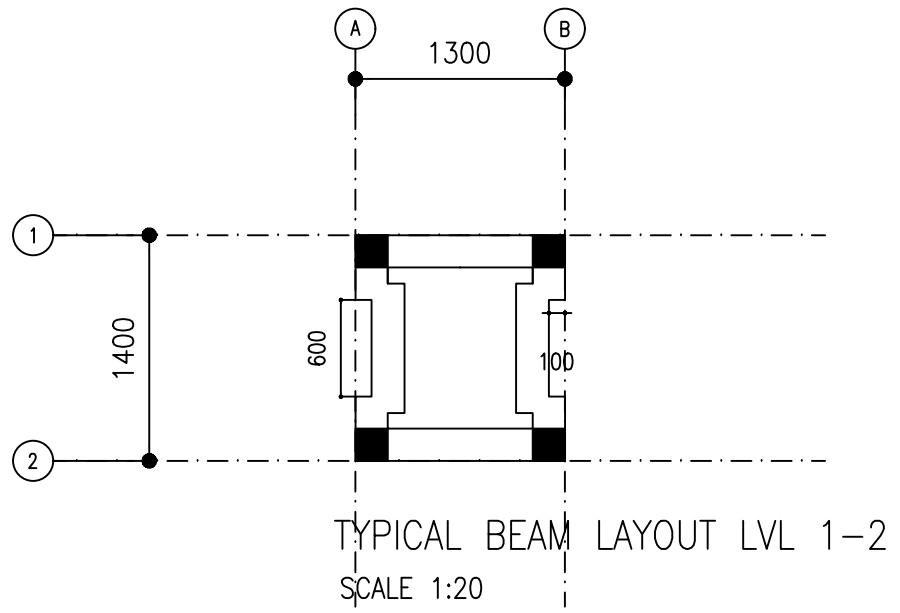


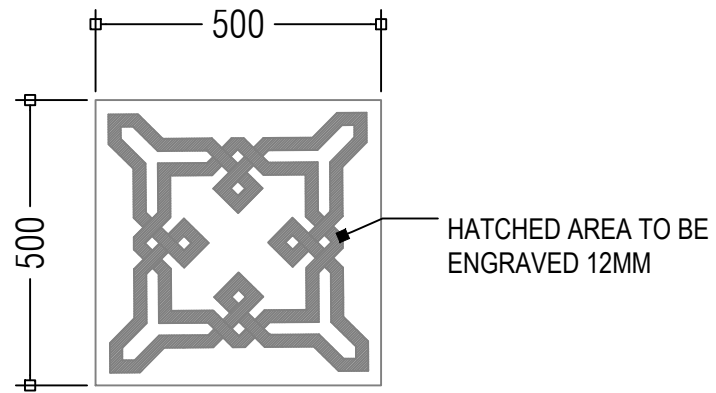
MINARETE TOP PLATE 1(FRAME)
SCALE 1:20



MINARETE TOP PLATE 2(FRAME)
SCALE 1:20

NOTE : * EACH FRAME WILL BE CONNECTED WITH WELDED 50# GI CHS.
 * ALUMINUM PLATE WILL RIVET AND WELDED TO THE FRAMES.
 * FRAMES SHALL BE SECURELY MOUNTED TO THE TO THE STRUCTURE USING M16 ANCHOR BOLTS





BORDER DESIGN ELEMENT
SCALE 1:10

