



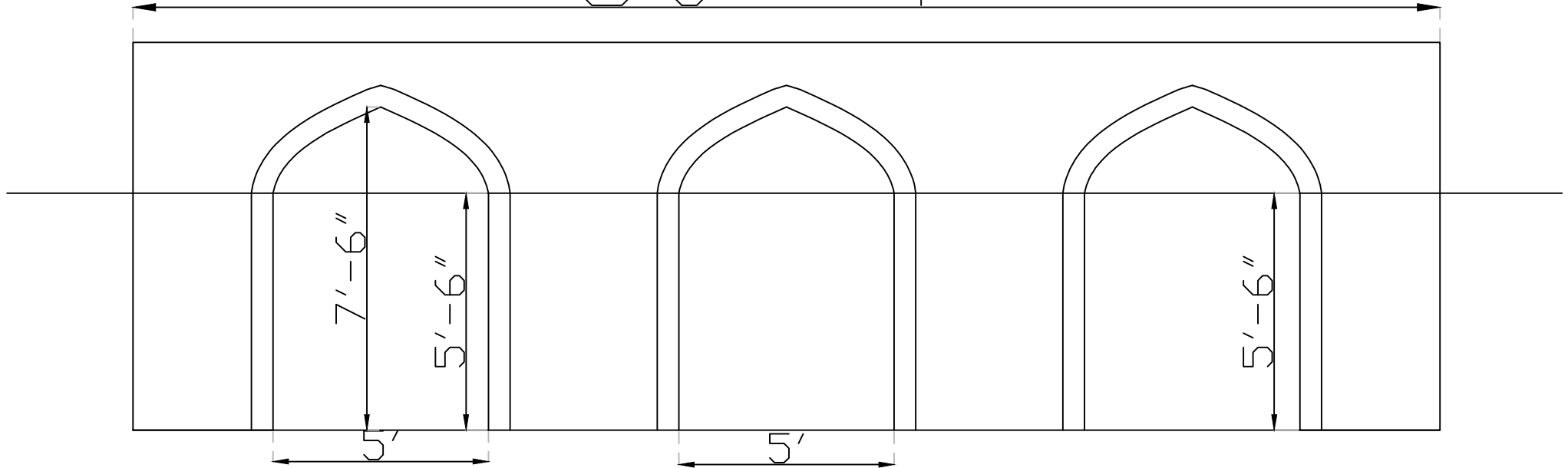








30' - 4"



**EXISTING WALL SIDE ELEVATION**



**PROJECT:**

MOSQUE - MASJIDHUL ANSAAR WALL CHANGES

DRAWN BY: MN

CHECKED BY: SG

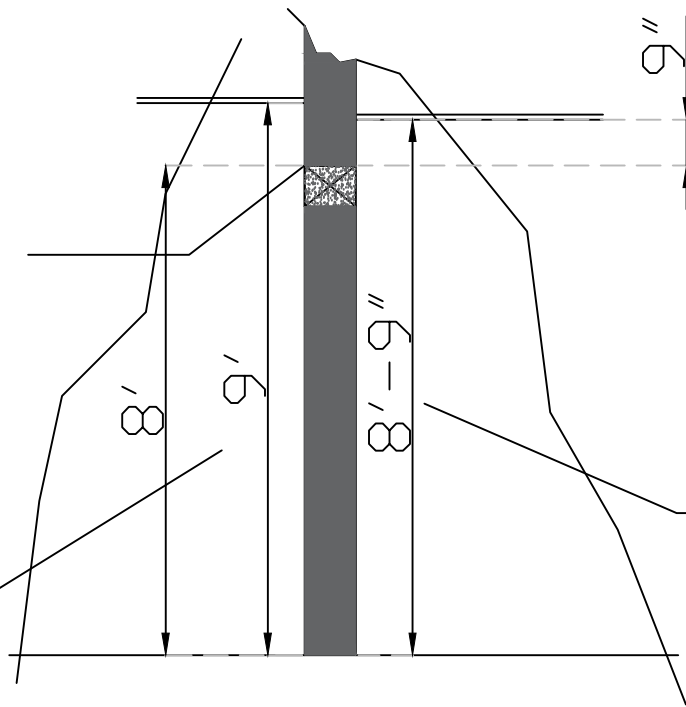
DRAWING NO: 1 of 3

SCALE: -

DATE: 26.06.2026

NEW BEAM TOP LEVEL

ORIGINAL MOSQUE CEILING LEVEL



MOSQUE EXTENSION CEILING LEVEL



**PROJECT:**

MOSQUE - MASJIDHUL ANSAAR WALL CHANGES

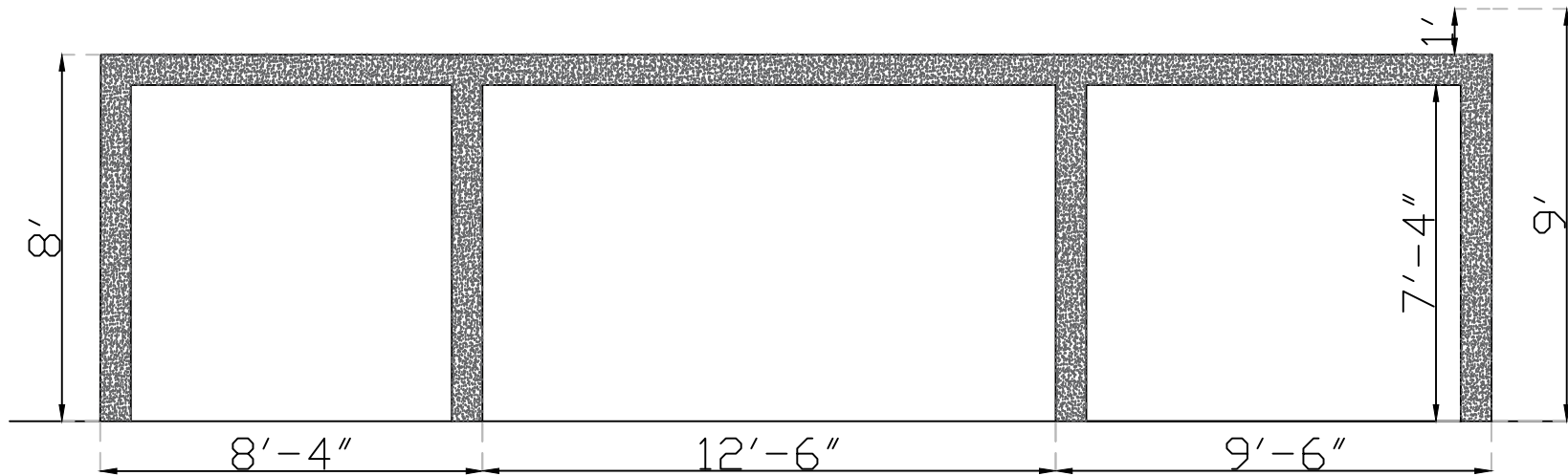
DRAWN BY: MN

CHECKED BY: SG

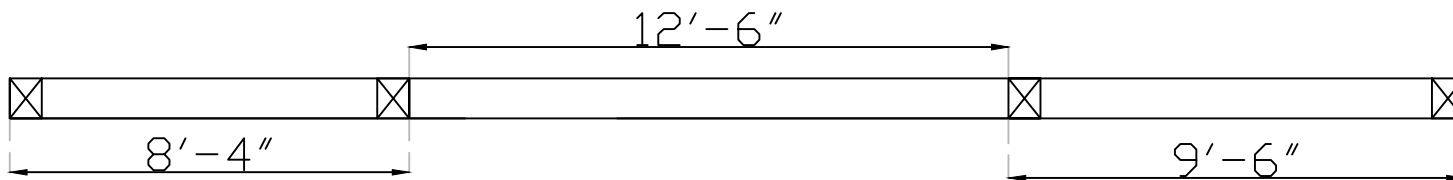
DRAWING NO: 2 of 3

SCALE: -

DATE: 26.06.2026



**PROPOSED WALL SIDE ELEVATION**



**PROPOSED WALL FLOOR PLAN**



**PROJECT:**

MOSQUE - MASJIDHUL ANSAAR WALL CHANGES

DRAWN BY: MN

CHECKED BY: SG

DRAWING NO: 3 of 3

SCALE: -

DATE: 26.06.2026