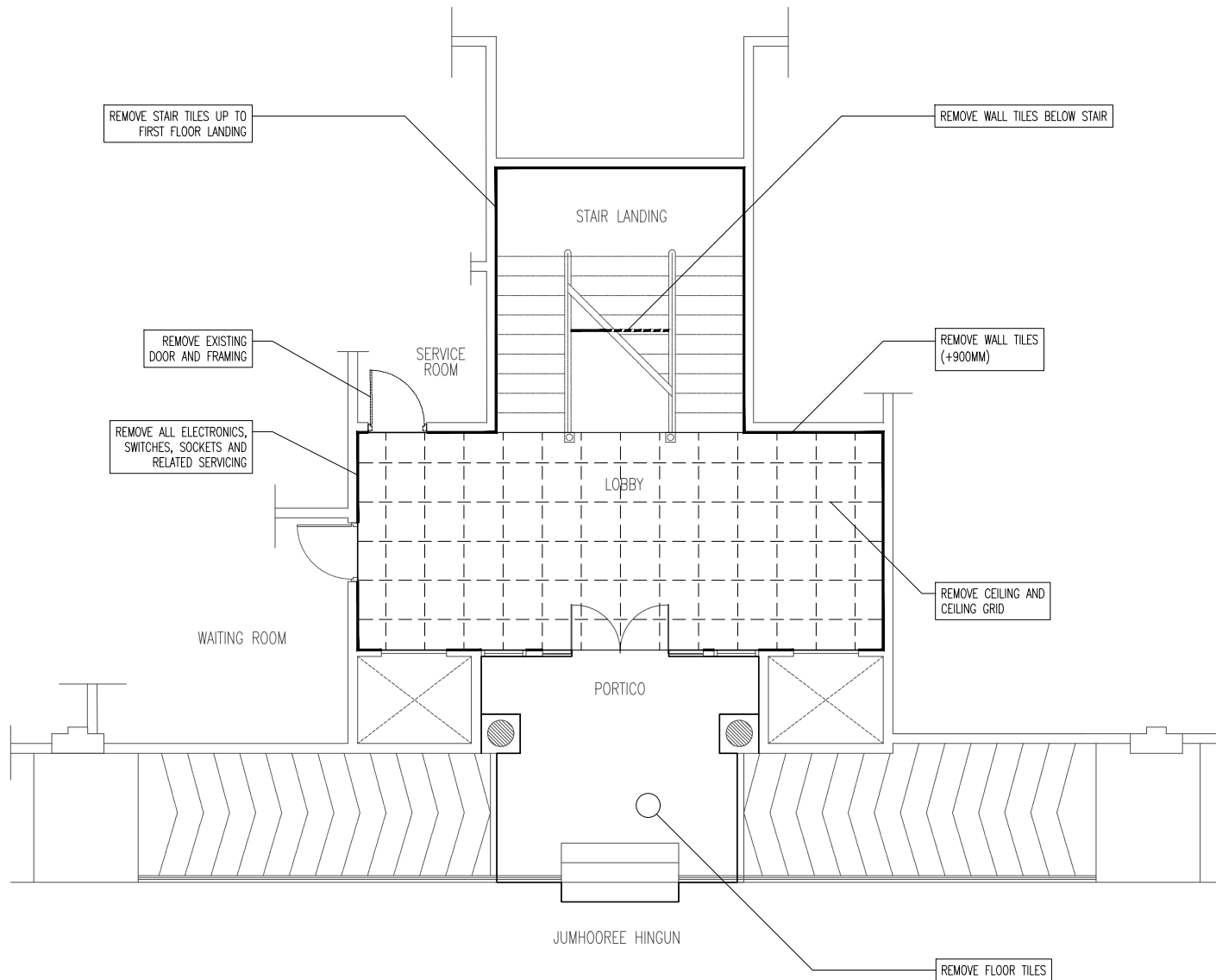




INFRASTRUCTURE & BUILDING DEVELOPMENT
DESIGNING AND DEVELOPMENT
MALDIVES POLICE SERVICE

SHAHEED HUSSAIN ADAM BUILDING – GROUND FLOOR STAFF LOBBY RENOVATION

17-MAY-2026



INFRASTRUCTURE DEVELOPMENT
MALDIVES POLICE SERVICE

PROJECT TITLE:

**STAFF LOBBY RENOVATION
SHAHEED HUSSAIN ADAM
BUILDING
MALE'**

ARCHITECT/DESIGNER

DRAFTED BY

POLICE S.
SERGEANT AHMED
SAFFAH EASA

STRUCTURAL ENGINEER

DRAFTED BY

CHECKED BY

CHECKED BY

INSP. OF POLICE
AHMED NIZAL

ADMINISTRATIVE
DIRECTOR AHMED
SADHEEM

ARCHITECTURAL DRAWINGS

SHEET NO.

DATE: 17-MAY-2026

A-01

DEMOLITION PLAN
1:100



- NOTE:
- ON-SITE MEASUREMENTS MUST BE TAKEN BY CONTRACTOR BEFORE FABRICATION.
 - SYNTHETIC ALTERNATIVES (MDF, PVC, ETC.) TO TIMBER SHOULD BE USED IN ALL EXPOSED ELEMENTS SUCH AS PANELS AND BORDERS.
 - SAMPLES OF VARIATIONS TO BORDER DESIGNS AND CROWN MOLDING AS PER MARKET AVAILABILITY MUST BE PROVIDED BEFORE FABRICATION FOR APPROVAL.
 - ALL REMAINING EXPOSED SURFACES OF THE WALL AND BORDER MOLDINGS SHOULD BE PAINT FINISHED OR OTHERWISE AS PER 3D.



INFRASTRUCTURE DEVELOPMENT
MALDIVES POLICE SERVICE

PROJECT TITLE:

STAFF LOBBY RENOVATION
SHAHEED HUSSAIN ADAM
BUILDING
MALE'

ARCHITECT/DESIGNER

DRAFTED BY

POLICE S.
SERGEANT AHMED
SAFFAH EASA

STRUCTURAL ENGINEER

DRAFTED BY

CHECKED BY

CHECKED BY

INSP. OF POLICE
AHMED NIZAL

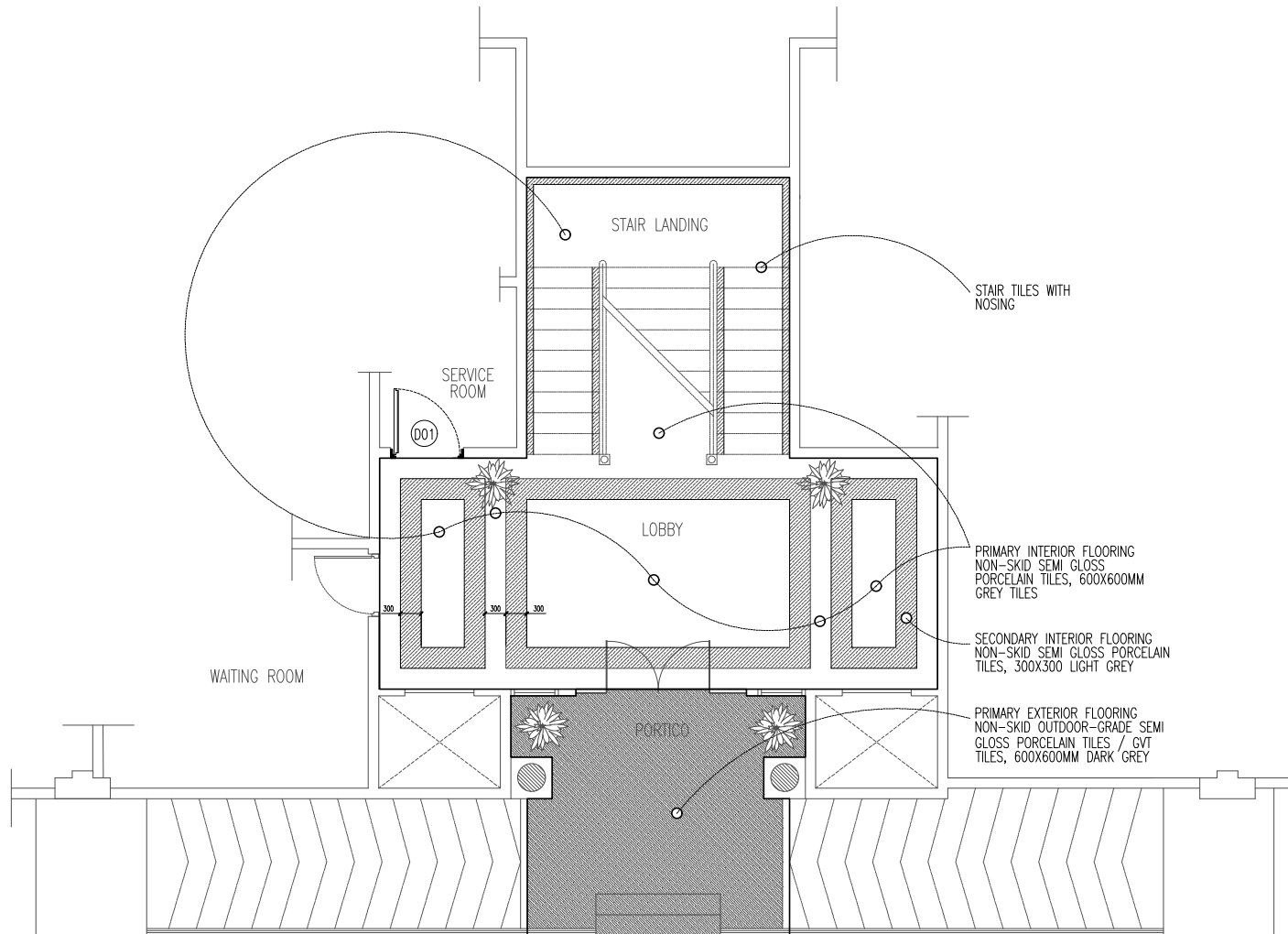
ADMINISTRATIVE
DIRECTOR AHMED
SADHEEM

ARCHITECTURAL DRAWINGS

SHEET NO.

DATE: 17-MAY-2026

A-02



JUMHOOREE HINGUN

FLOORING SAMPLES MUST BE PROVIDED
FOR APPROVAL PRIOR TO INSTALLATION.

FLOORING PLAN

1:100



NOTE:

- ON-SITE MEASUREMENTS MUST BE TAKEN BY CONTRACTOR BEFORE FABRICATION.
- SYNTHETIC ALTERNATIVES (MDF, PVC, ETC.) TO TIMBER SHOULD BE USED IN ALL EXPOSED ELEMENTS SUCH AS PANELS AND BORDERS.
- SAMPLES OF VARIATIONS TO BORDER DESIGNS AND CROWN MOLDING AS PER MARKET AVAILABILITY MUST BE PROVIDED BEFORE FABRICATION FOR APPROVAL.
- ALL REMAINING EXPOSED SURFACES OF THE WALL AND BORDER MOLDINGS SHOULD BE PAINT FINISHED OR OTHERWISE AS PER 3D.



INFRASTRUCTURE DEVELOPMENT
MALDIVES POLICE SERVICE

PROJECT TITLE:

STAFF LOBBY RENOVATION
SHAHEED HUSSAIN ADAM
BUILDING
MALE'

ARCHITECT/DESIGNER DRAFTED BY

POLICE S.
SERGEANT AHMED
SAFFAH EASA

STRUCTURAL ENGINEER DRAFTED BY

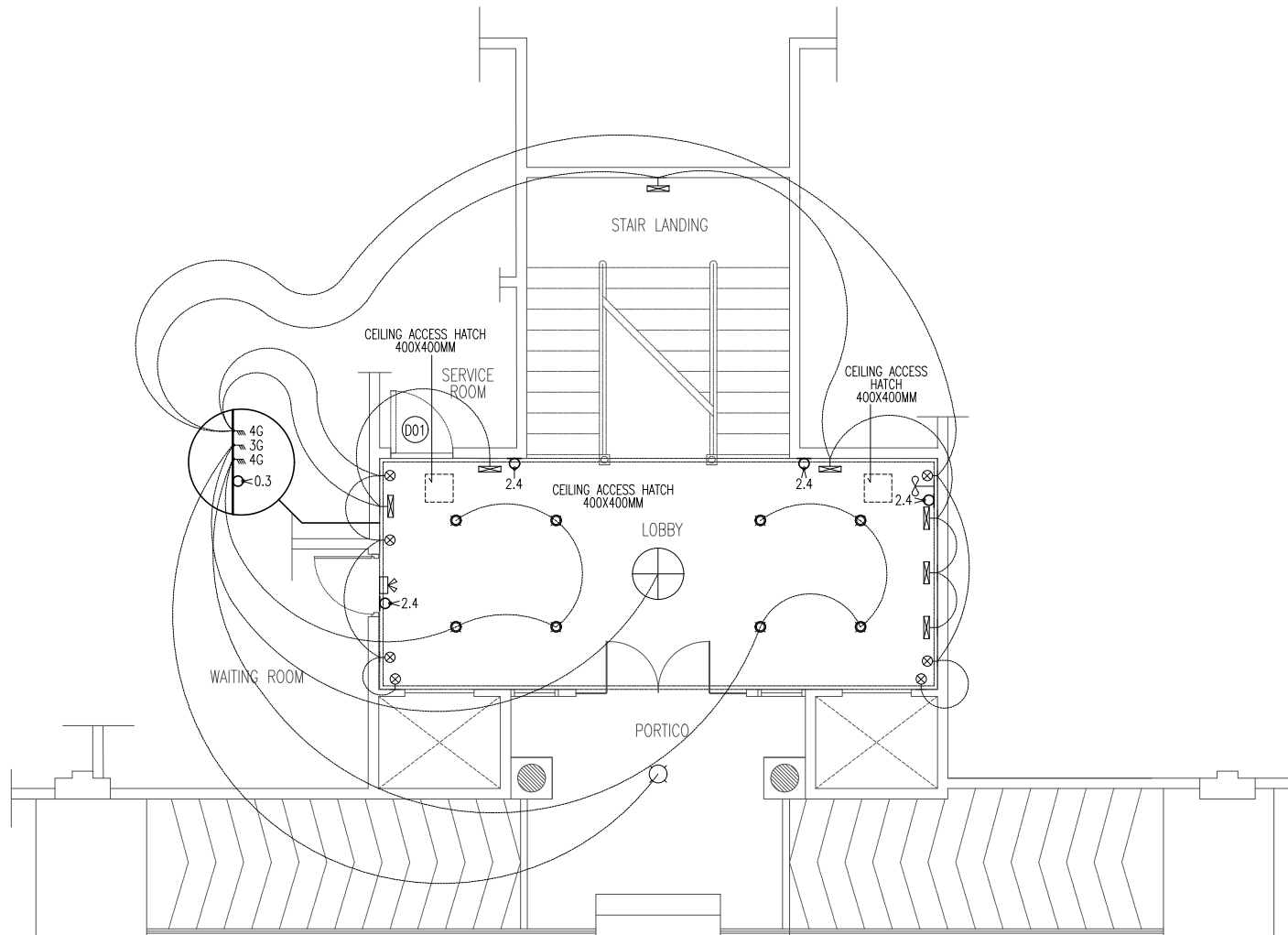
CHECKED BY CHECKED BY

INSP. OF POLICE AHMED NIZAL ADMINISTRATIVE DIRECTOR AHMED SADHEEM

ARCHITECTURAL DRAWINGS

SHEET NO. DATE: 17-MAY-2026

A-03



JUMHOOREE HINGUN

LEGEND

- DECORATIVE EXTERIOR SURFACE MOUNTED LIGHT
- DECORATIVE CHANDELIER
- CEILING RECESSED LED LIGHT, 18W DAY-LIGHT
- 2 WAY WALL MOUNTED ACCENT LIGHT
- ADJUSTABLE ARTWORK SPOTLIGHT
- LED COVE LIGHTING STRIP
- WALL FIXED FAN
- WALL FIXED EMERGENCY LED LIGHT
- 4 GANG SWITCH
- 1 GANG 13A POWER SOCKET (@ 2.4M)
- 2 GANG 13A POWER SOCKET (@ 0.3M)

NOTE:

- ON-SITE MEASUREMENTS MUST BE TAKEN BY CONTRACTOR BEFORE FABRICATION.
- SYNTHETIC ALTERNATIVES (MDF, PVC, ETC.) TO TIMBER SHOULD BE USED IN ALL EXPOSED ELEMENTS SUCH AS PANELS AND BORDERS.
- SAMPLES OF VARIATIONS TO BORDER DESIGNS AND CROWN MOLDING AS PER MARKET AVAILABILITY MUST BE PROVIDED BEFORE FABRICATION FOR APPROVAL.
- ALL REMAINING EXPOSED SURFACES OF THE WALL AND BORDER MOLDINGS SHOULD BE PAINT FINISHED OR OTHERWISE AS PER 3D.

REFLECTED CEILING PLAN

1:100





INFRASTRUCTURE DEVELOPMENT
MALDIVES POLICE SERVICE

PROJECT TITLE:

STAFF LOBBY RENOVATION
SHAHEED HUSSAIN ADAM
BUILDING
MALE'

ARCHITECT/DESIGNER

DRAFTED BY

POLICE S.
SERGEANT AHMED
SAFFAH EASA

STRUCTURAL ENGINEER

DRAFTED BY

CHECKED BY

CHECKED BY

INSP. OF POLICE
AHMED NIZAL

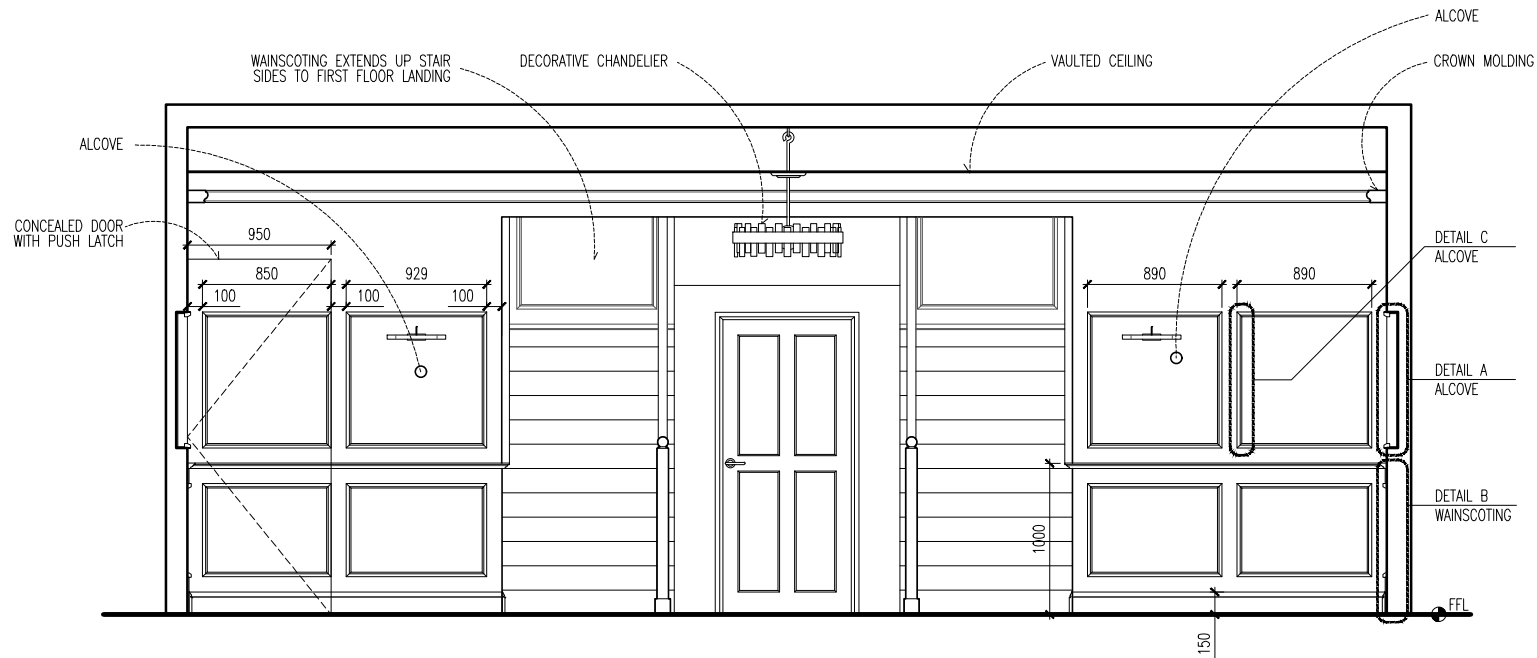
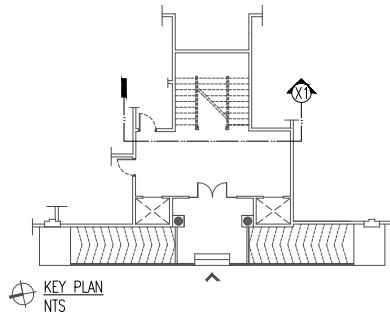
ADMINISTRATIVE
DIRECTOR AHMED
SADHEEM

ARCHITECTURAL DRAWINGS

SHEET NO.

DATE: 17-MAY-2026

A-04



SECTION X1
1:50

- NOTE:
- ON-SITE MEASUREMENTS MUST BE TAKEN BY CONTRACTOR BEFORE FABRICATION.
 - SYNTHETIC ALTERNATIVES (MDF, PVC, ETC.) TO TIMBER SHOULD BE USED IN ALL EXPOSED ELEMENTS SUCH AS PANELS AND BORDERS.
 - SAMPLES OF VARIATIONS TO BORDER DESIGNS AND CROWN MOLDING AS PER MARKET AVAILABILITY MUST BE PROVIDED BEFORE FABRICATION FOR APPROVAL.
 - ALL REMAINING EXPOSED SURFACES OF THE WALL AND BORDER MOLDINGS SHOULD BE PAINT FINISHED OR OTHERWISE AS PER 3D.



INFRASTRUCTURE DEVELOPMENT
MALDIVES POLICE SERVICE

PROJECT TITLE:

STAFF LOBBY RENOVATION
SHAHEED HUSSAIN ADAM
BUILDING
MALE'

ARCHITECT/DESIGNER

DRAFTED BY

POLICE S.
SERGEANT AHMED
SAFFAH EASA

STRUCTURAL ENGINEER

DRAFTED BY

CHECKED BY

CHECKED BY

INSP. OF POLICE
AHMED NIZAL

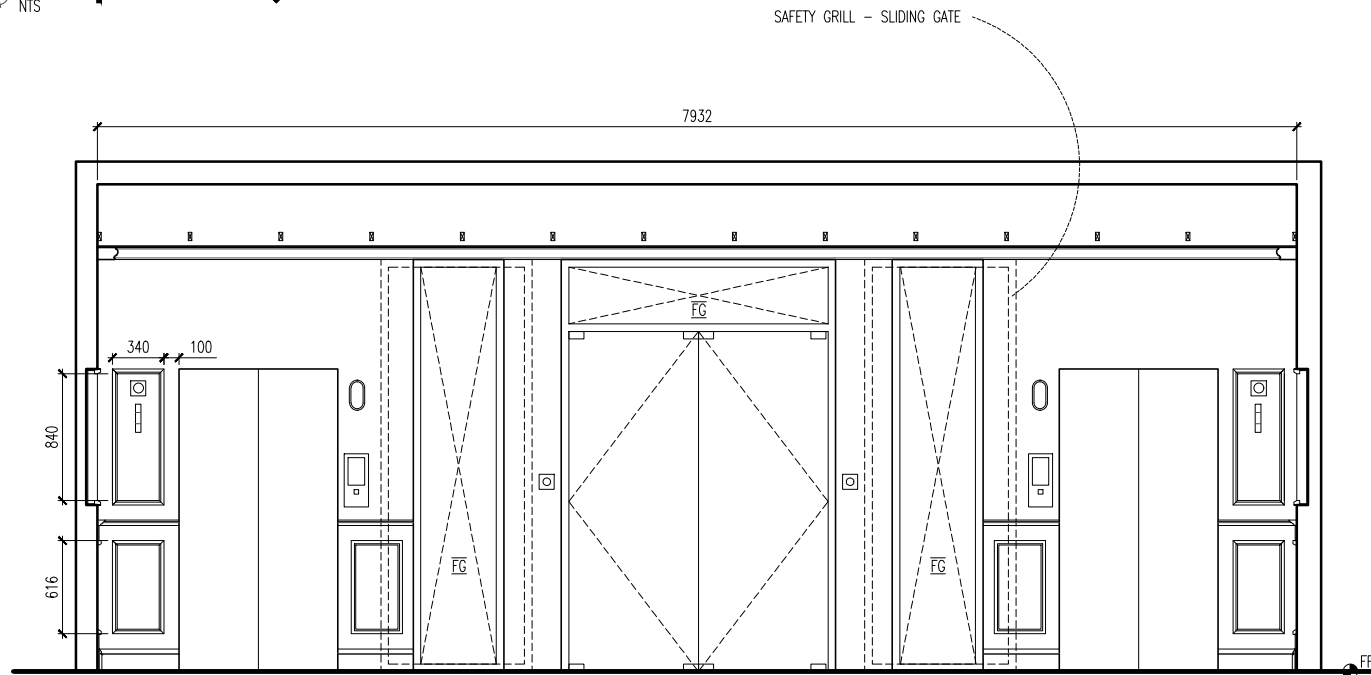
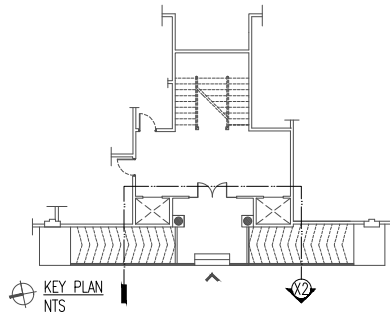
ADMINISTRATIVE
DIRECTOR AHMED
SADHEEM

ARCHITECTURAL DRAWINGS

SHEET NO.

DATE: 17-MAY-2026

A-05



SECTION X2
1:50

- NOTE:
- ON-SITE MEASUREMENTS MUST BE TAKEN BY CONTRACTOR BEFORE FABRICATION.
 - SYNTHETIC ALTERNATIVES (MDF, PVC, ETC.) TO TIMBER SHOULD BE USED IN ALL EXPOSED ELEMENTS SUCH AS PANELS AND BORDERS.
 - SAMPLES OF VARIATIONS TO BORDER DESIGNS AND CROWN MOLDING AS PER MARKET AVAILABILITY MUST BE PROVIDED BEFORE FABRICATION FOR APPROVAL.
 - ALL REMAINING EXPOSED SURFACES OF THE WALL AND BORDER MOLDINGS SHOULD BE PAINT FINISHED OR OTHERWISE AS PER 3D.



INFRASTRUCTURE DEVELOPMENT
MALDIVES POLICE SERVICE

PROJECT TITLE:

STAFF LOBBY RENOVATION
SHAHEED HUSSAIN ADAM
BUILDING
MALE'

ARCHITECT/DESIGNER

DRAFTED BY
POLICE S.
SERGEANT AHMED
SAFFAH EASA

STRUCTURAL ENGINEER

DRAFTED BY

CHECKED BY

CHECKED BY

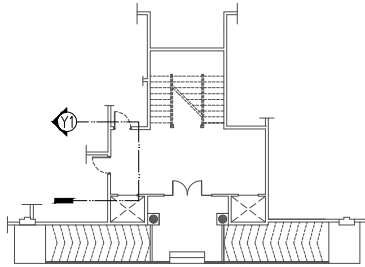
INSP. OF POLICE
AHMED NIZAL

ADMINISTRATIVE
DIRECTOR AHMED
SADHEEM

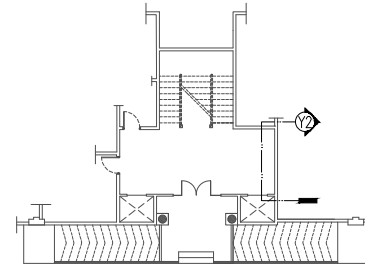
ARCHITECTURAL DRAWINGS

SHEET NO. DATE: 17-MAY-2026

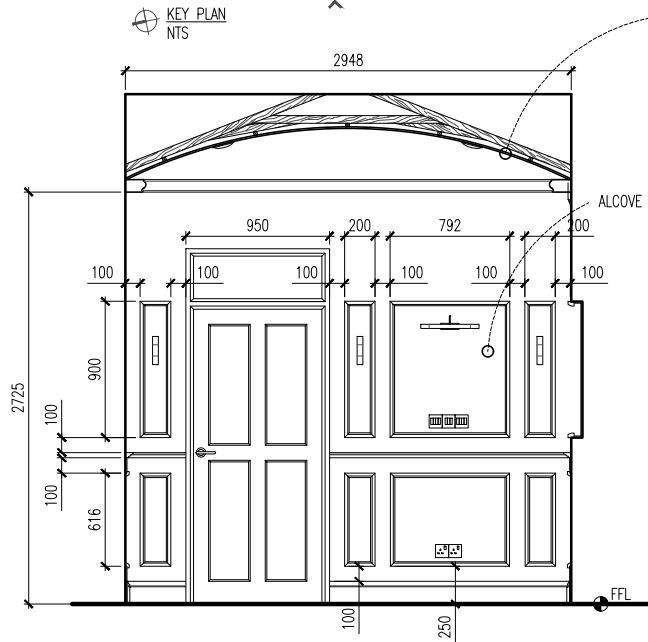
A-06



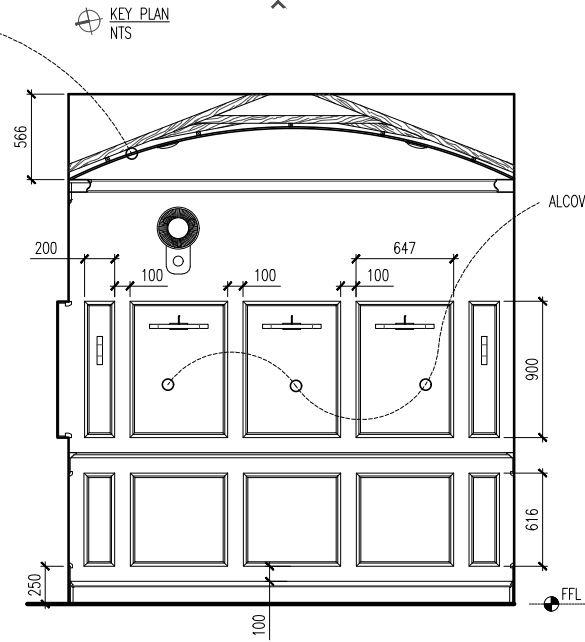
KEY PLAN
NTS



KEY PLAN
NTS

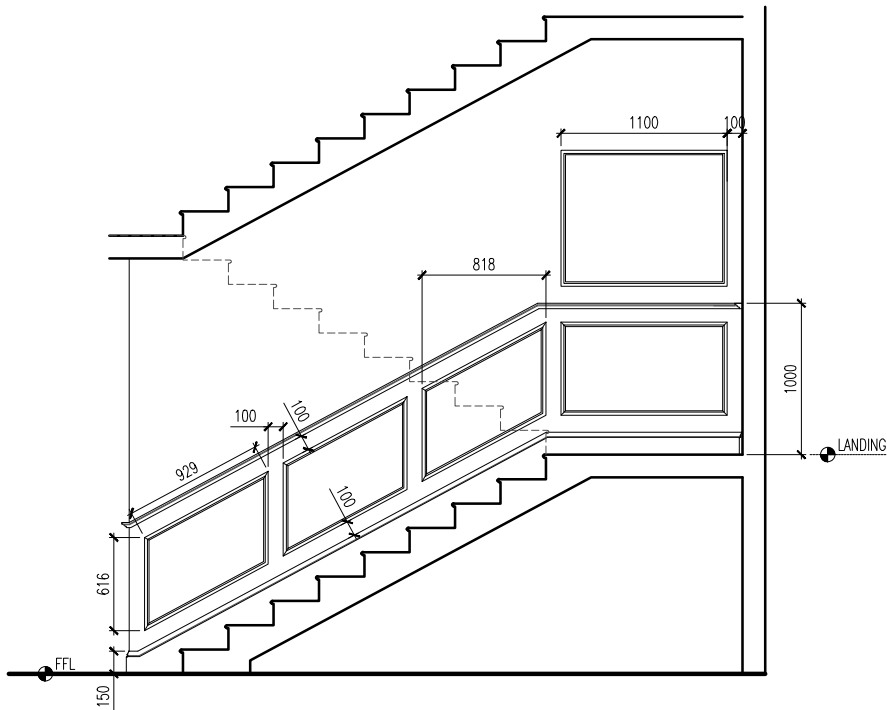
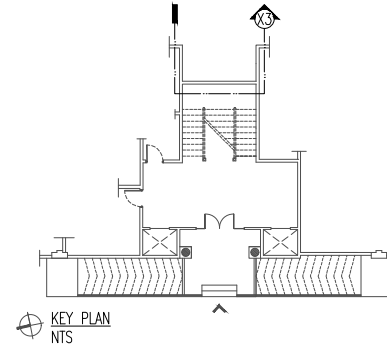
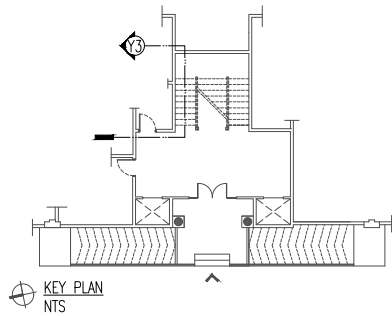


SECTION Y1
1:50

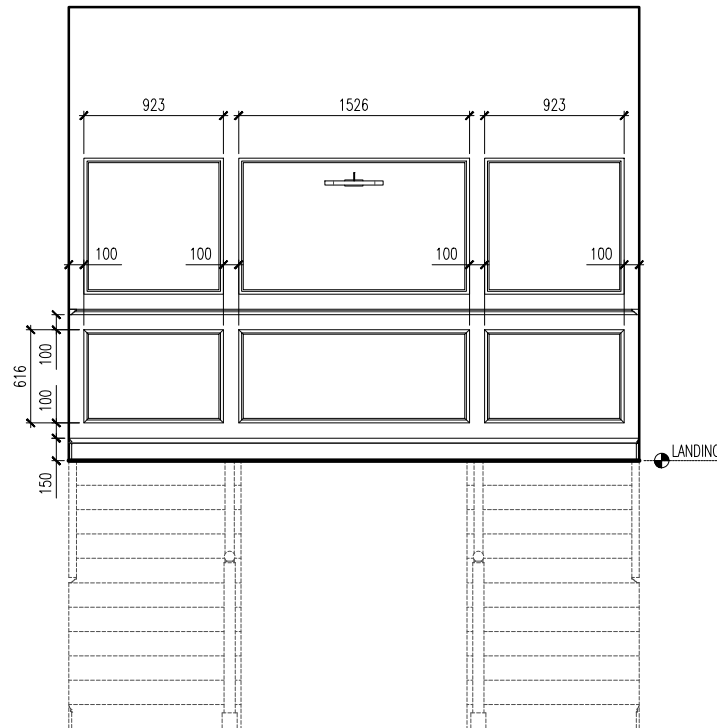


SECTION Y2
1:50

- NOTE:
- ON-SITE MEASUREMENTS MUST BE TAKEN BY CONTRACTOR BEFORE FABRICATION.
 - SYNTHETIC ALTERNATIVES (MDF, PVC, ETC.) TO TIMBER SHOULD BE USED IN ALL EXPOSED ELEMENTS SUCH AS PANELS AND BORDERS.
 - SAMPLES OF VARIATIONS TO BORDER DESIGNS AND CROWN MOLDING AS PER MARKET AVAILABILITY MUST BE PROVIDED BEFORE FABRICATION FOR APPROVAL.
 - ALL REMAINING EXPOSED SURFACES OF THE WALL AND BORDER MOLDINGS SHOULD BE PAINT FINISHED OR OTHERWISE AS PER 3D.



SECTION Y3
1:50



SECTION X3
1:50



INFRASTRUCTURE DEVELOPMENT
MALDIVES POLICE SERVICE

PROJECT TITLE:

STAFF LOBBY RENOVATION
SHAHEED HUSSAIN ADAM
BUILDING
MALE'

ARCHITECT/DESIGNER

DRAFTED BY

POLICE S.
SERGEANT AHMED
SAFFAH EASA

STRUCTURAL ENGINEER

DRAFTED BY

CHECKED BY

CHECKED BY

INSP. OF POLICE
AHMED NIZAL

ADMINISTRATIVE
DIRECTOR AHMED
SADHEEM

ARCHITECTURAL DRAWINGS

SHEET NO.

DATE: 17-MAY-2026

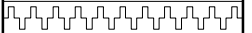
A-07

NOTE:

- ON-SITE MEASUREMENTS MUST BE TAKEN BY CONTRACTOR BEFORE FABRICATION.
- SYNTHETIC ALTERNATIVES (MDF, PVC, ETC.) TO TIMBER SHOULD BE USED IN ALL EXPOSED ELEMENTS SUCH AS PANELS AND BORDERS.
- SAMPLES OF VARIATIONS TO BORDER DESIGNS AND CROWN MOLDING AS PER MARKET AVAILABILITY MUST BE PROVIDED BEFORE FABRICATION FOR APPROVAL.
- ALL REMAINING EXPOSED SURFACES OF THE WALL AND BORDER MOLDINGS SHOULD BE PAINT FINISHED OR OTHERWISE AS PER 3D.



INFRASTRUCTURE DEVELOPMENT
MALDIVES POLICE SERVICE



PROJECT TITLE:

STAFF LOBBY RENOVATION
SHAHEED HUSSAIN ADAM
BUILDING
MALE'

ARCHITECT/DESIGNER

DRAFTED BY

POLICE S.
SERGEANT AHMED
SAFFAH EASA

STRUCTURAL ENGINEER

DRAFTED BY

CHECKED BY

CHECKED BY

INSP. OF POLICE
AHMED NIZAL

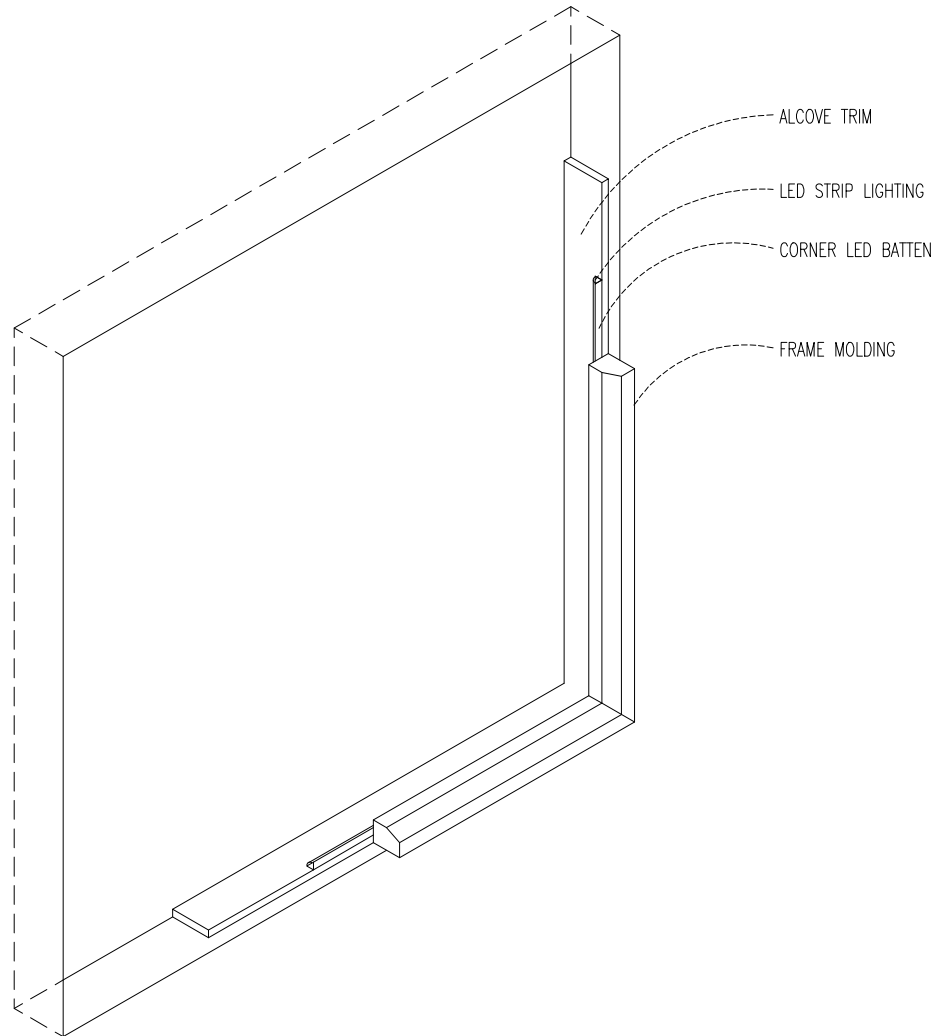
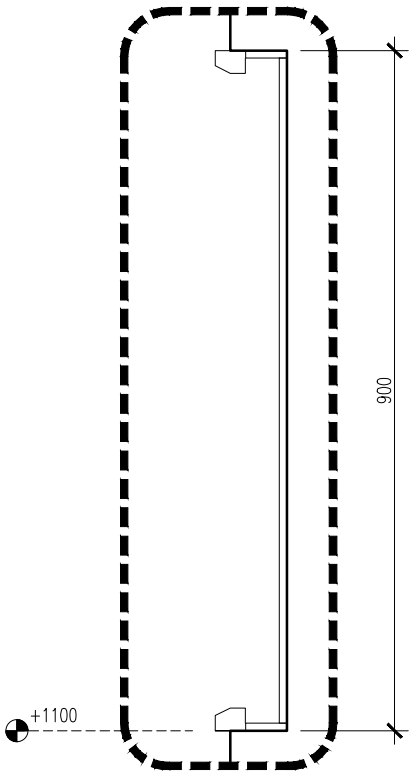
ADMINISTRATIVE
DIRECTOR AHMED
SADHEEM

ARCHITECTURAL DRAWINGS

SHEET NO.

DATE: 17-MAY-2026

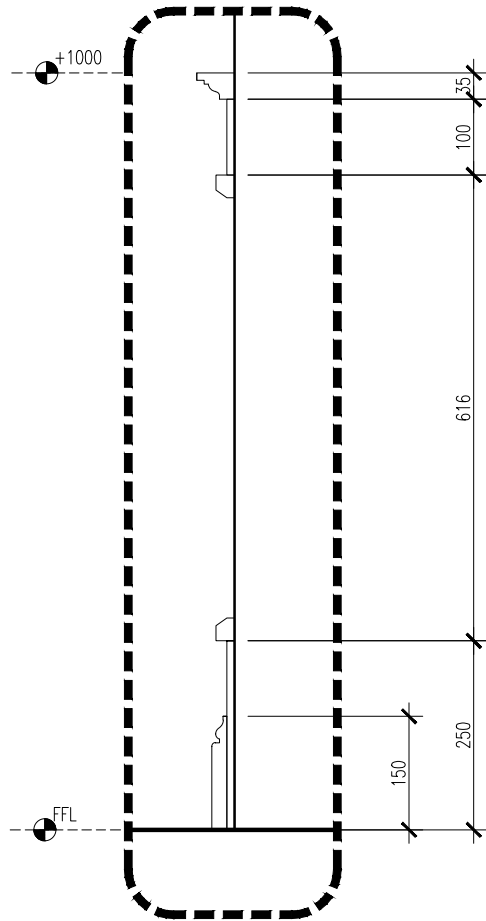
A-08



DETAIL A - ALCOVE
1:10

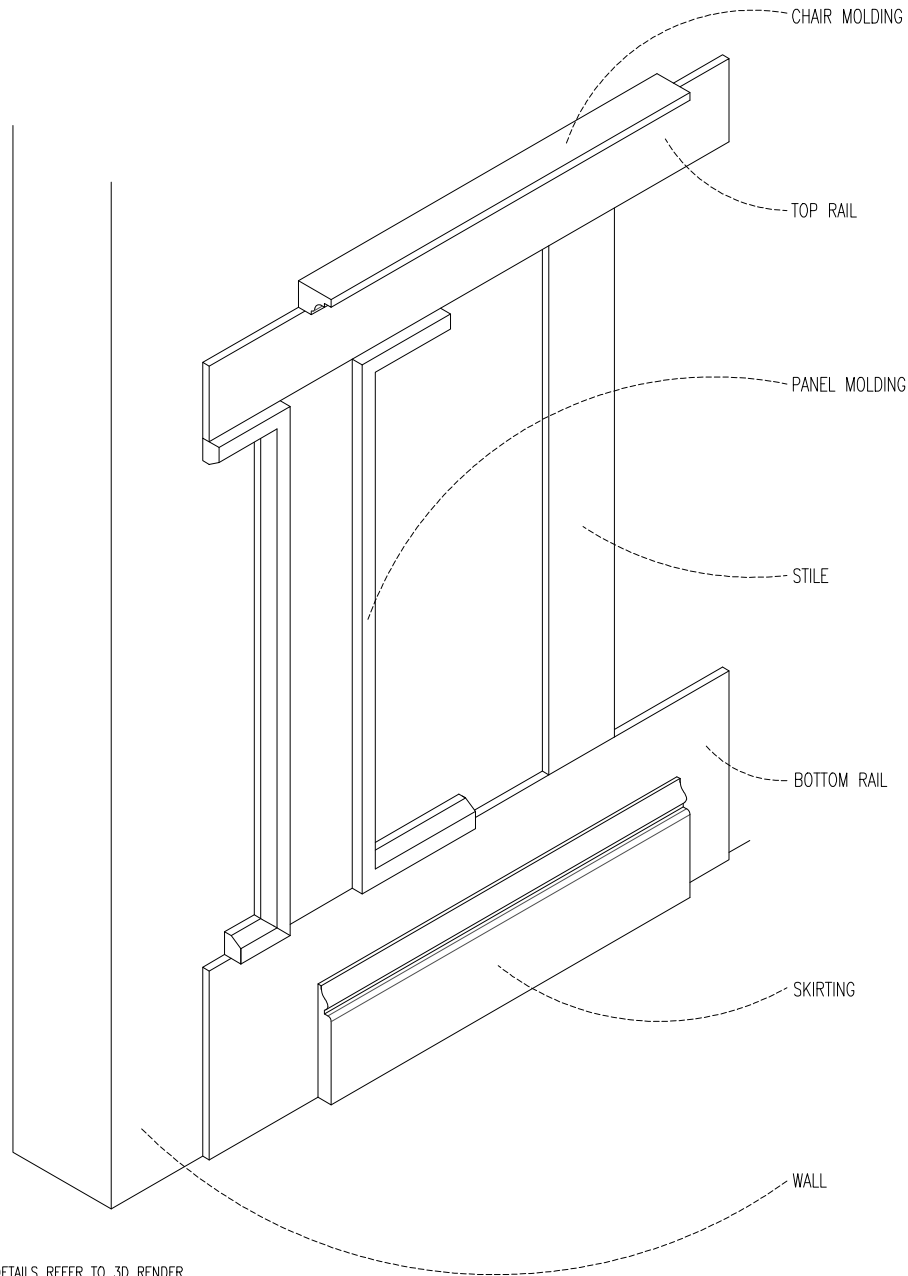
FOR FINISHING DETAILS REFER TO 3D RENDER


- NOTE:
- ON-SITE MEASUREMENTS MUST BE TAKEN BY CONTRACTOR BEFORE FABRICATION.
 - SYNTHETIC ALTERNATIVES (MDF, PVC, ETC.) TO TIMBER SHOULD BE USED IN ALL EXPOSED ELEMENTS SUCH AS PANELS AND BORDERS.
 - SAMPLES OF VARIATIONS TO BORDER DESIGNS AND CROWN MOLDING AS PER MARKET AVAILABILITY MUST BE PROVIDED BEFORE FABRICATION FOR APPROVAL.
 - ALL REMAINING EXPOSED SURFACES OF THE WALL AND BORDER MOLDINGS SHOULD BE PAINT FINISHED OR OTHERWISE AS PER 3D.



DETAIL B - WAINSCOTTING
1:10

FOR FINISHING DETAILS REFER TO 3D RENDER





INFRASTRUCTURE DEVELOPMENT
MALDIVES POLICE SERVICE

PROJECT TITLE:
**STAFF LOBBY RENOVATION
SHAHEED HUSSAIN ADAM
BUILDING
MALE'**

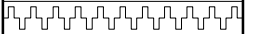
ARCHITECT/DESIGNER	DRAFTED BY
POLICE S. SERGEANT AHMED SAFFAH EASA	
STRUCTURAL ENGINEER	DRAFTED BY
CHECKED BY	CHECKED BY
INSP. OF POLICE AHMED NIZAL	ADMINISTRATIVE DIRECTOR AHMED SADHEEM
ARCHITECTURAL DRAWINGS	
SHEET NO.	DATE: 17-MAY-2026

A-09

- NOTE:
- ON-SITE MEASUREMENTS MUST BE TAKEN BY CONTRACTOR BEFORE FABRICATION.
 - SYNTHETIC ALTERNATIVES (MDF, PVC, ETC.) TO TIMBER SHOULD BE USED IN ALL EXPOSED ELEMENTS SUCH AS PANELS AND BORDERS.
 - SAMPLES OF VARIATIONS TO BORDER DESIGNS AND CROWN MOLDING AS PER MARKET AVAILABILITY MUST BE PROVIDED BEFORE FABRICATION FOR APPROVAL.
 - ALL REMAINING EXPOSED SURFACES OF THE WALL AND BORDER MOLDINGS SHOULD BE PAINT FINISHED OR OTHERWISE AS PER 3D.



INFRASTRUCTURE DEVELOPMENT
MALDIVES POLICE SERVICE



PROJECT TITLE:

STAFF LOBBY RENOVATION
SHAHEED HUSSAIN ADAM
BUILDING
MALE'

ARCHITECT/DESIGNER

DRAFTED BY

POLICE S.
SERGEANT AHMED
SAFFAH EASA

STRUCTURAL ENGINEER

DRAFTED BY

CHECKED BY

CHECKED BY

INSP. OF POLICE
AHMED NIZAL

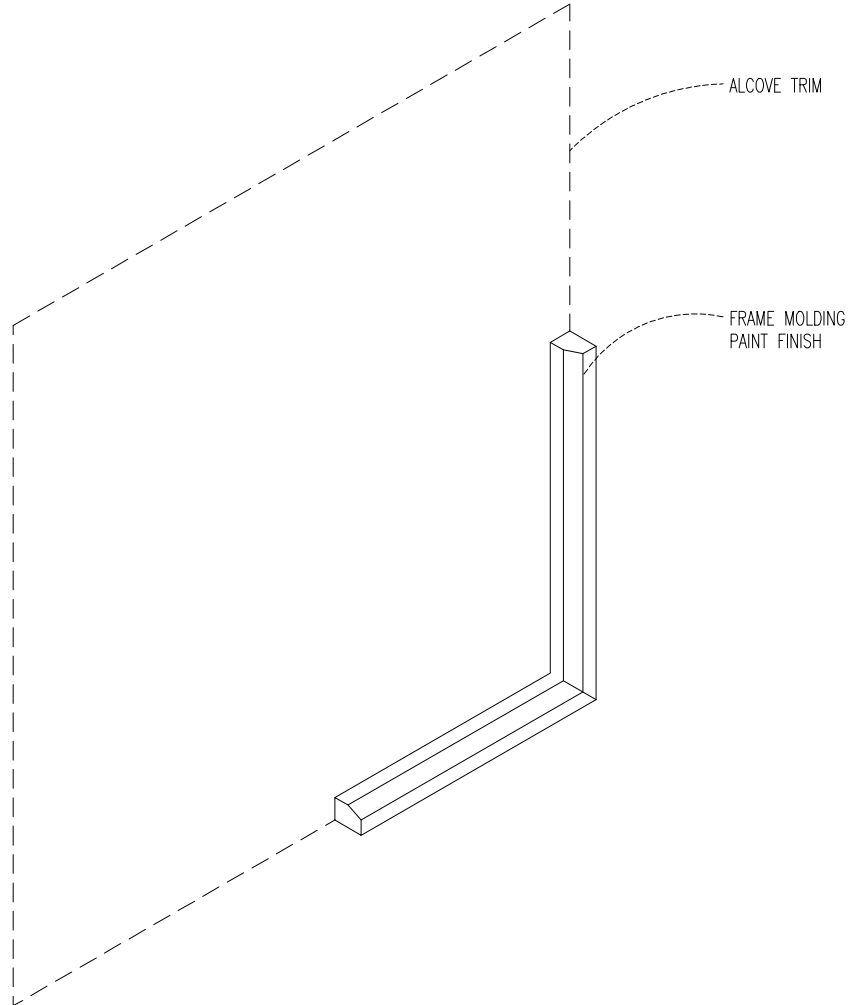
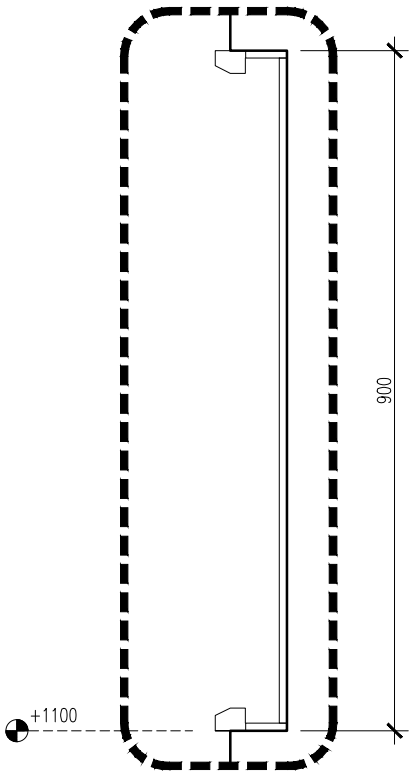
ADMINISTRATIVE
DIRECTOR AHMED
SADHEEM

ARCHITECTURAL DRAWINGS

SHEET NO.

DATE: 17-MAY-2026

A-10




DETAIL C - BORDER
1:10

FOR FINISHING DETAILS REFER TO 3D RENDER

- NOTE:
- ON-SITE MEASUREMENTS MUST BE TAKEN BY CONTRACTOR BEFORE FABRICATION.
 - SYNTHETIC ALTERNATIVES (MDF, PVC, ETC.) TO TIMBER SHOULD BE USED IN ALL EXPOSED ELEMENTS SUCH AS PANELS AND BORDERS.
 - SAMPLES OF VARIATIONS TO BORDER DESIGNS AND CROWN MOLDING AS PER MARKET AVAILABILITY MUST BE PROVIDED BEFORE FABRICATION FOR APPROVAL.
 - ALL REMAINING EXPOSED SURFACES OF THE WALL AND BORDER MOLDINGS SHOULD BE PAINT FINISHED OR OTHERWISE AS PER 3D.

(D1)	AREA	N/A
	OPEN AREA	N/A
DESCRIPTION	CONCEALED DOOR	
MATERIALS	WOOD FRAME & DOUBLE CLADED SMART BOARD	
ACCESSORIES	<ul style="list-style-type: none"> - WEATHER SEALING - 6 NOS CONCEALED BEARING HINGE - 2 NOS MAGNETIC PUSH LATCH - BOTTOM SWEEP NYLON BRUSH 	
FINISHING	WAINSCOTING, MOULDINGS AND DOOR FINISH IDENTICAL TO THE ADJACENT WALL	

CONCEALED DOOR DETAIL – DETAIL D
1:50



INFRASTRUCTURE DEVELOPMENT
MALDIVES POLICE SERVICE

PROJECT TITLE:

**STAFF LOBBY RENOVATION
SHAHEED HUSSAIN ADAM
BUILDING
MALE'**

ARCHITECT/DESIGNER	DRAFTED BY
POLICE S. SERGEANT AHMED SAFFAH EASA	
STRUCTURAL ENGINEER	DRAFTED BY
CHECKED BY	CHECKED BY
INSP. OF POLICE AHMED NIZAL	ADMINISTRATIVE DIRECTOR AHMED SADHEEM
ARCHITECTURAL DRAWINGS	
SHEET NO.	DATE: 17-MAY-2026

A-11

- NOTE:
- ON-SITE MEASUREMENTS MUST BE TAKEN BY CONTRACTOR BEFORE FABRICATION.
 - SYNTHETIC ALTERNATIVES (MDF, PVC, ETC.) TO TIMBER SHOULD BE USED IN ALL EXPOSED ELEMENTS SUCH AS PANELS AND BORDERS.
 - SAMPLES OF VARIATIONS TO BORDER DESIGNS AND CROWN MOLDING AS PER MARKET AVAILABILITY MUST BE PROVIDED BEFORE FABRICATION FOR APPROVAL.
 - ALL REMAINING EXPOSED SURFACES OF THE WALL AND BORDER MOLDINGS SHOULD BE PAINT FINISHED OR OTHERWISE AS PER 3D.