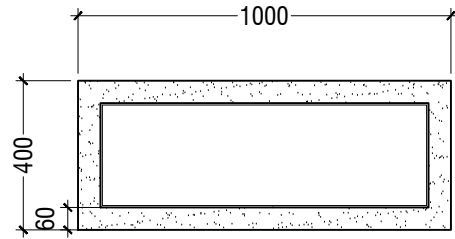
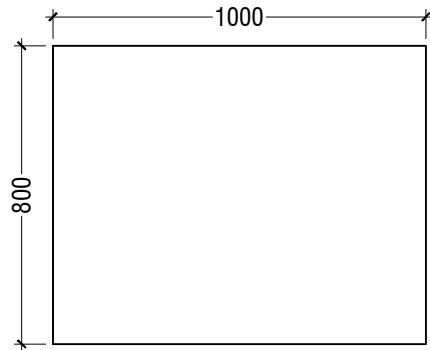


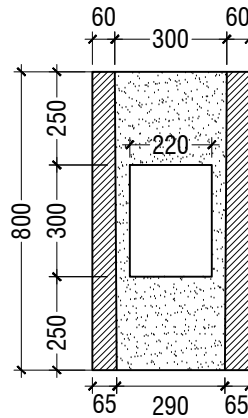
# SETTLEMENT TANK



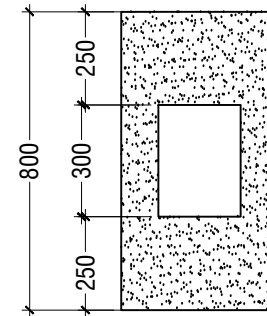
PLAN



FRONT ELEVATION



SECTION



ELEVATION

Concrete Mixing Ratio: 1:2:3  
 1 Cement  
 2 Aggregate  
 3 White Sand

**PROJECT: DESIGN & BUILD OF GDH. GAHDHOO MAJOR ROADS**

**CLIENT:**  
 MINISTRY OF NATIONAL PLANNING & INFRASTRUCTURE  
 AMEENEE MAGU,  
 MALE'  
 REPUBLIC OF MALDIVES

**CONTRACTOR:**  
 ROAD DEVELOPMENT CORPORATION LTD.  
 ORCHID MAGU,  
 MAAFANNU, MALE'  
 REPUBLIC OF MALDIVES

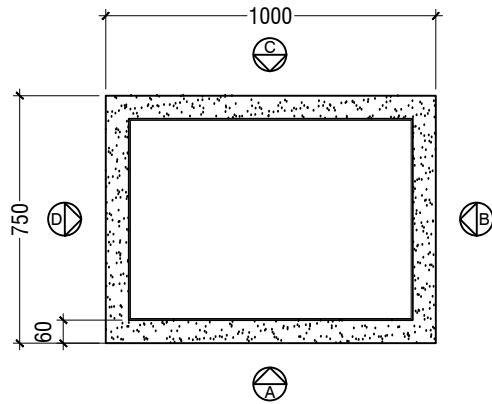
**DRAWING TITLE:**  
 GDH. GAHDHOO  
 SETTLEMENT TANK



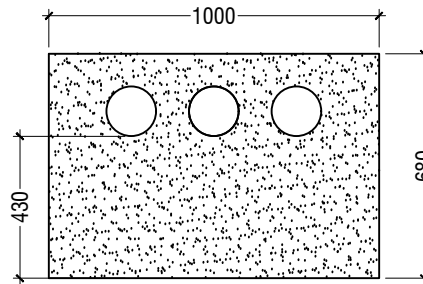
**DRAWN BY:** ALI ZAMEER  
**APPROVED BY:** MOHAMED SHAREEF  
**PROJECT NO:**  
**DRAWING NO:**  
**SCALE:** **DATE:** JAN 2020

# CABLE JUNCTION TYPE - A

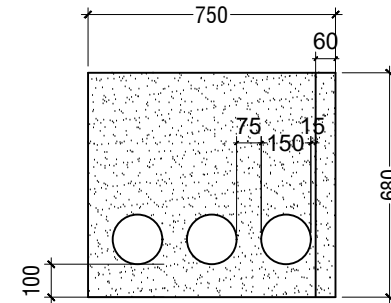
Designed to place in Carriage way



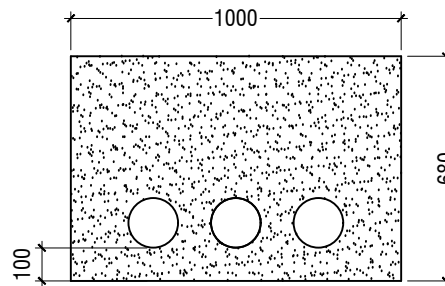
PLAN



ELEVATION A



ELEVATION B & D



ELEVATION C

Concrete Mixing Ratio: 1:3:2  
 1 Cement  
 3 White Sand  
 2 Coral fingers

**PROJECT: DESIGN & BUILD OF GDH.GAHDHOO MAJOR ROADS**

**CLIENT:**  
 MINISTRY OF NATIONAL PLANNING & INFRASTRUCTURE  
 AMEENEE MAGU,  
 MALE'  
 REPUBLIC OF MALDIVES

**CONTRACTOR:**  
 ROAD DEVELOPMENT CORPORATION LTD.  
 ORCHID MAGU,  
 MAAFANNU, MALE'  
 REPUBLIC OF MALDIVES

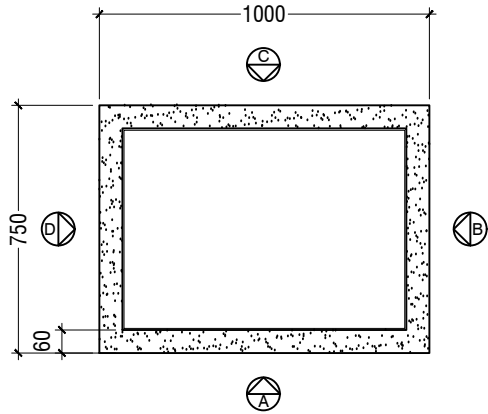
**DRAWING TITLE:**  
 GDH. GAHDHOO  
 CABLE JUNCTION  
 TYPE - A



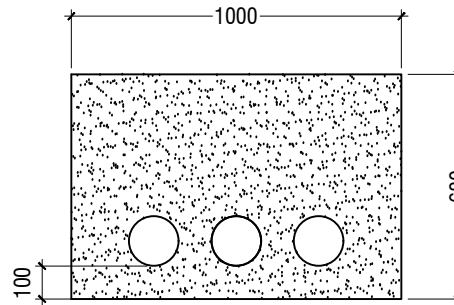
**DRAWN BY:** ALI ZAMEER  
**APPROVED BY:** MOHAMED SHAREEF  
**PROJECT NO:**  
**DRAWING NO:**  
**SCALE:**  
**DATE:** JAN 2020

# CABLE JUNCTION TYPE - B

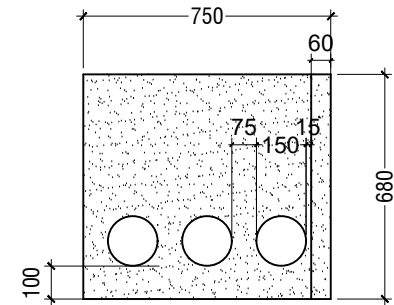
Designed to place in Carriage way



PLAN



ELEVATION A, C



ELEVATION B & D

Concrete Mixing Ratio: 1:3:2  
 1 Cement  
 3 White Sand  
 2 Coral fingers

**PROJECT: DESIGN & BUILD OF GDH.GAHDHOO MAJOR ROADS**

**CLIENT:**  
 MINISTRY OF NATIONAL PLANNING & INFRASTRUCTURE  
 AMEENEE MAGU,  
 MALE'  
 REPUBLIC OF MALDIVES

**CONTRACTOR:**  
 ROAD DEVELOPMENT CORPORATION LTD.  
 ORCHID MAGU,  
 MAAFANNU, MALE'  
 REPUBLIC OF MALDIVES

**DRAWING TITLE:**  
 GDH. GAHDHOO  
 CABLE JUNCTION  
 TYPE - B



**DRAWN BY:** ALI ZAMEER  
**APPROVED BY:** MOHAMED SHAREEF  
**PROJECT NO:**  
**DRAWING NO:**  
**SCALE:**  
**DATE:** JAN 2020