

**081466165H**

**085666205A**

**62030M** - ARMATURE ASSY-FRONT BUMPER

**62034** - FINISHER-FRONT BUMPER FASCIA,RH

**62035** - FINISHER-FRONT BUMPER FASCIA,LH

**62050** - FASCIA-FRONT BUMPER

**62050E** - CLIP

**62090** - ENERGY ABSORBER-FRONT BUMPER

**62228** - COVER-BUMPER BRACKET

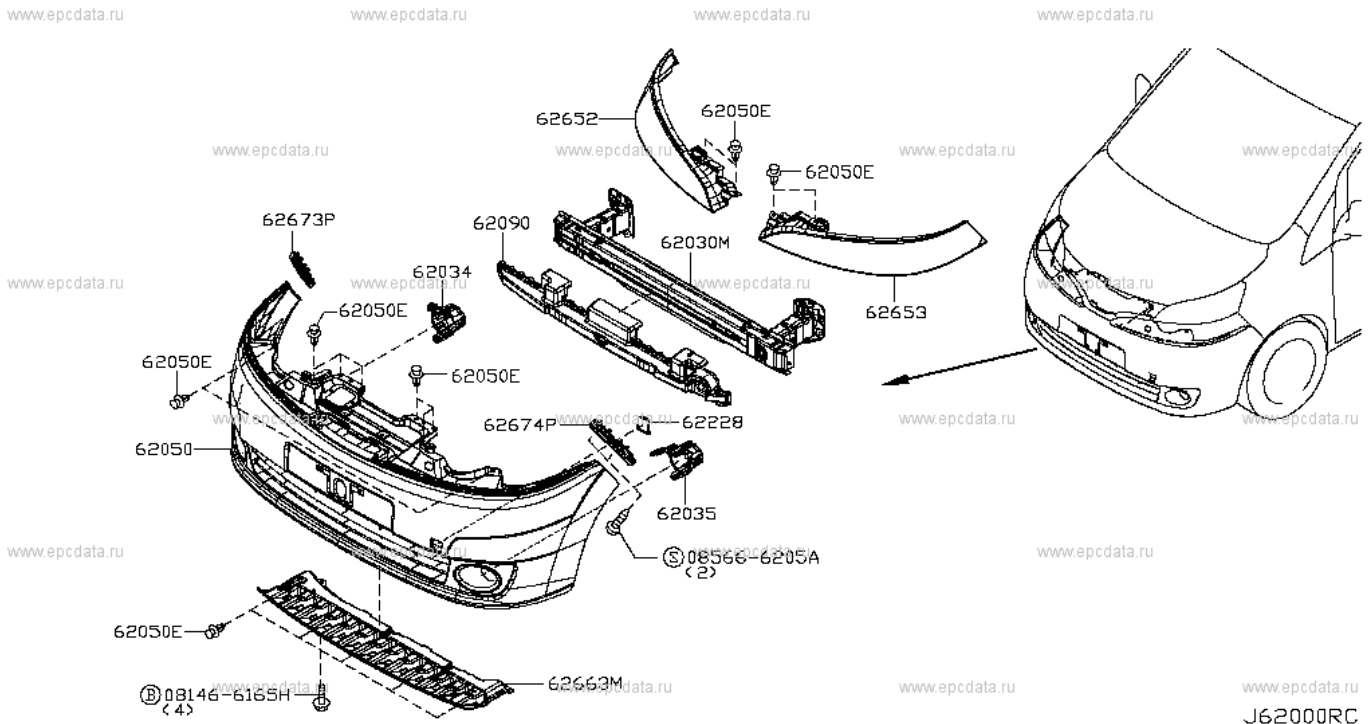
**62652** - BUMPER-FRONT,RH

**62653** - BUMPER-FRONT,LH

**62663M** - BRACKET-APRON,LOWER

**62673P** - BRACKET-FRONT BUMPER SIDE,RH

**62674P** - BRACKET-FRONT BUMPER SIDE,LH



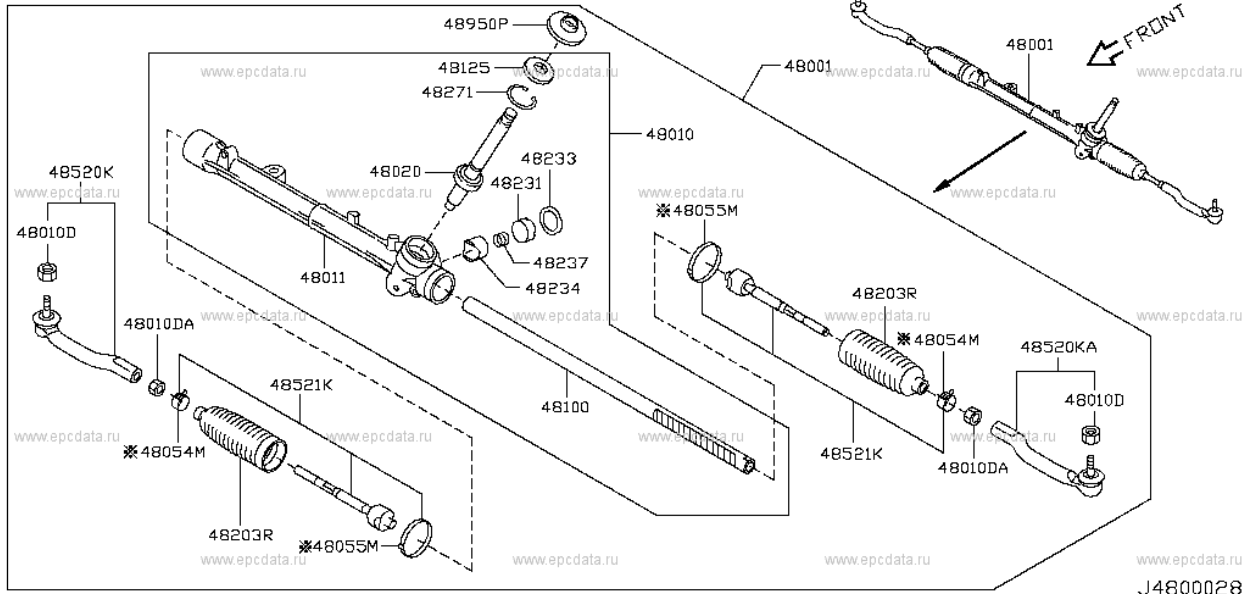
www.epcdata.ru

www.epcdata.ru

www.epcdata.ru

www.epcdata.ru

NOTE: REPLACE 48203R WITH \* MARKED PARTS AT THE SAME TIME.



J4800028

**48001 - GEAR & LINKAGE-STEERING**

**48010 - GEAR ASSY-STEERING**

**48010D - NUT**

**48010DA - NUT**

**48011 - HOUSING-STEERING GEAR**

**48020 - PINION ASSY-STEERING GEAR**

**48054M - CLAMP-BOOT**

**48055M - CLAMP-BOOT**

**48100 - RACK-STEERING GEAR**

**48125 - SEAL-OIL**

**48203R - BOOT**

**48231 - SCREW-ADJUST**

**48233 - NUT**

**48234 - RETAINER-STEERING GEAR**

**48237 - SPRING-RETAINER**

**48271 - RING-SNAP**

**48520K - SOCKET KIT-TIE ROD, OUTER**

**48520KA - SOCKET KIT-TIE ROD, OUTER**

**48521K - SOCKET KIT-TIE ROD, INNER**

**48950P - COVER ASSY-HOLE**

www.epcdata.ru

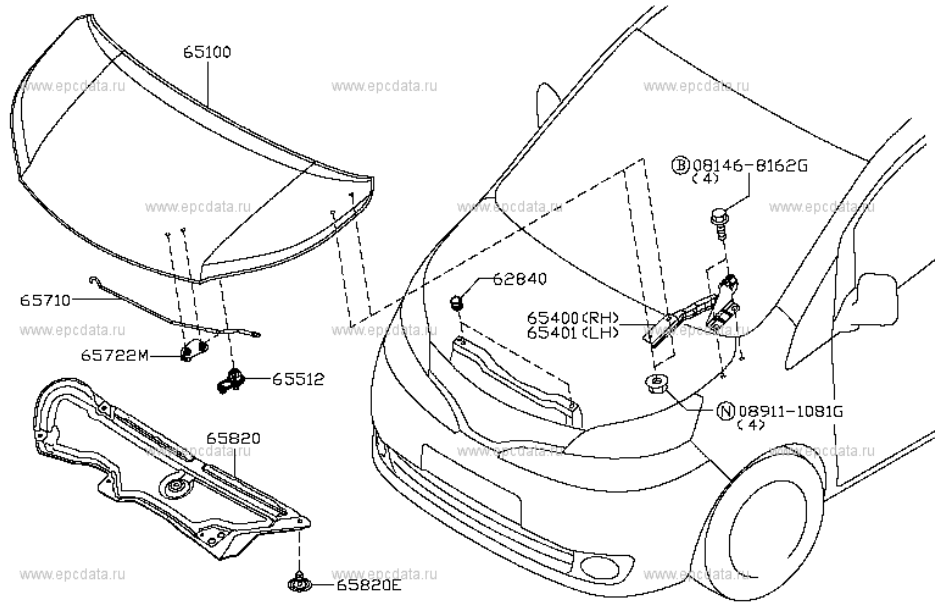
www.epcdata.ru

www.epcdata.ru

www.epcdata.ru

www.epcdata.ru

www.epcdata.ru



www.epcdata.ru

www.epcdata.ru

www.epcdata.ru

J65000CX

**081468162G**

**089111081G**

**62840 - BUMPER-HOOD**

**65100 - HOOD**

**65400 - HINGE ASSY-HOOD,RH**

**65401 - HINGE ASSY-HOOD,LH**

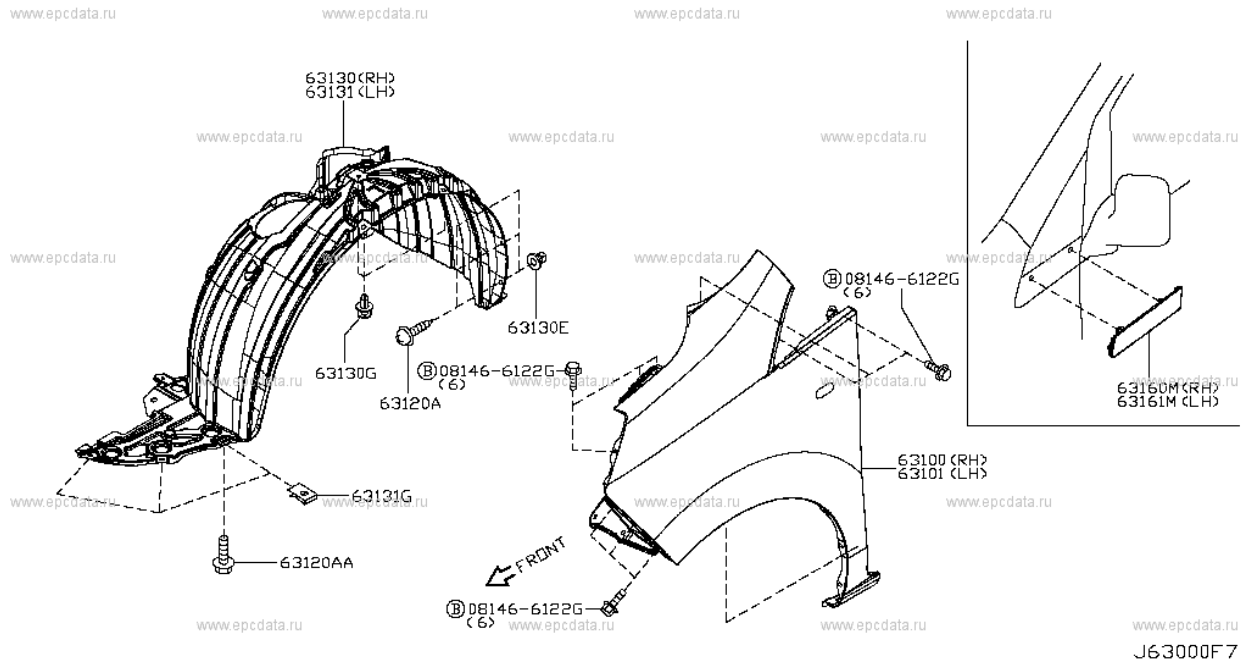
**65512 - GROMMET-HOOD SUPPORT ROD**

**65710 - ROD-HOOD SUPPORT**

**65722M - CLAMP-HOOD ROD**

**65820 - INSULATOR-HOOD**

**65820E - CLIP-INSULATOR**



**081466122G**

**63100 - FENDER-FRONT,RH**

**63120A - SCREW**

**63120AA - SCREW**

**63130 - PROTECTOR-FRONT FENDER,RH**

**63130E - GROMMET-SCREW**

**63130G - CLIP**

**63131 - PROTECTOR-FRONT FENDER,LH**

**63131G - NUT-SPRING**

**63160M - FINISHER-FRONT FENDER,RH**

**63161M - FINISHER-FRONT FENDER,LH**

www.epcdata.ru

www.epcdata.ru

www.epcdata.ru

www.epcdata.ru

www.epcdata.ru

www.epcdata.ru

www.epcdata.ru

www.epcdata.ru

www.epcdata.ru

www.epcdata.ru

www.epcdata.ru

www.epcdata.ru

www.epcdata.ru

www.epcdata.ru

www.epcdata.ru

www.epcdata.ru

www.epcdata.ru

www.epcdata.ru

www.epcdata.ru

www.epcdata.ru

www.epcdata.ru

www.epcdata.ru

www.epcdata.ru

www.epcdata.ru

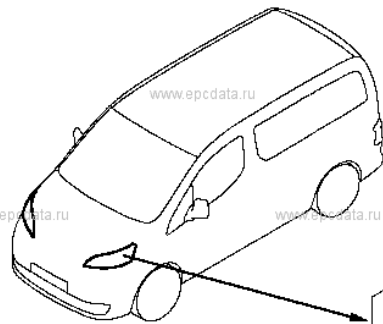
www.epcdata.ru

www.epcdata.ru

www.epcdata.ru

www.epcdata.ru

www.epcdata.ru



26010 (RH)  
26060 (LH)

26011AA  
(FR TURN LAMP)

26243

26025 (RH)  
26075 (LH)

26011A  
(HEAD LAMP)

26029M

26025C

26011AB  
(CLEARANCE LAMP)

08146-6165H  
(B)

J26000TZ

**081466165H**

**26010 - LAMP ASSY-RH**

**26011A - BULB**

**26011AA - BULB**

**26011AB - BULB**

**26025 - HOUSING ASSY-HEAD LAMP,RH**

**26025C - SOCKET ASSY-CLEARANCE LAMP**

**26029M - COVER-SOCKET,HEAD LAMP**

**26060 - LAMP ASSY-LH**

**26075 - HOUSING ASSY-HEAD LAMP,LH**

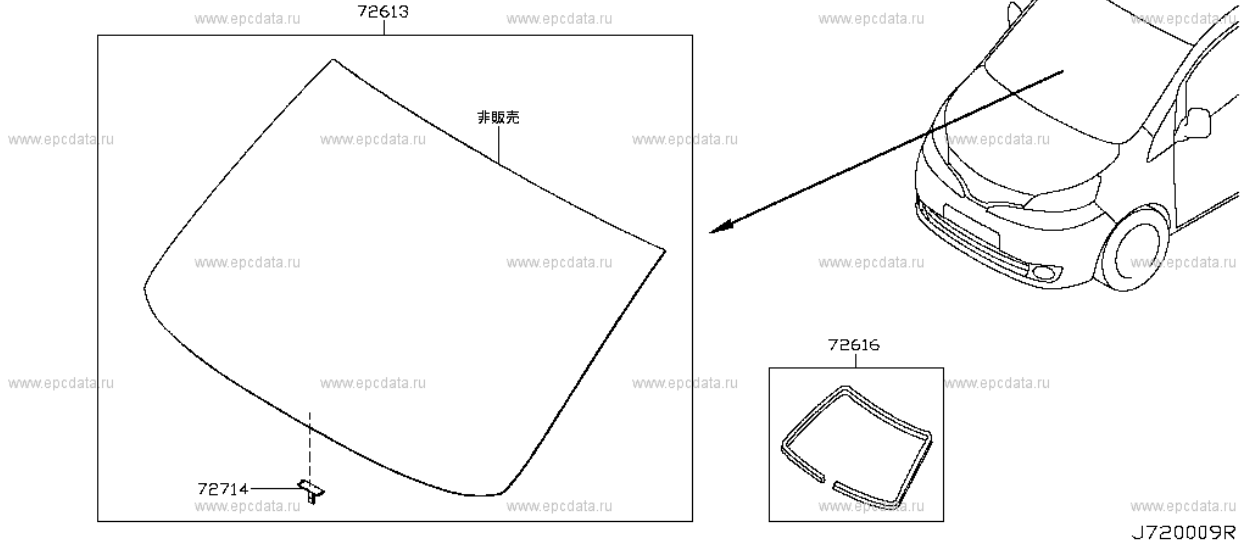
**26243 - SOCKET ASSY**

www.epcdata.ru

www.epcdata.ru

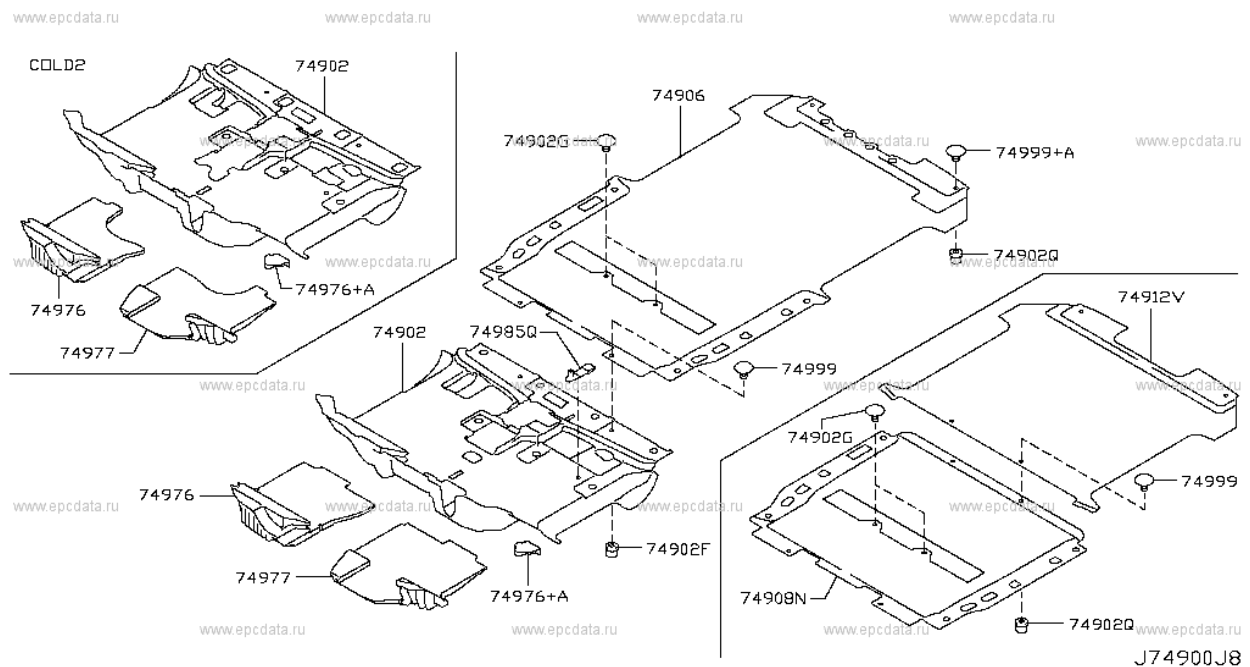
www.epcdata.ru

www.epcdata.ru



www.epcdata.ru  
J720009R

- 72613** - GLASS-WINDSHIELD
- 72616** - DAM RUBBER-SEALANT
- 72714** - SPACER-GLASS,A



- 74902** - [CARPET-FLOOR,FRONT](#)
- 74902F** - [CLIP-TRIM](#)
- 74902G** - [CLIP-TRIM](#)
- 74902Q** - [CLIP-TRIM](#)
- 74906** - [CARPET-FLOOR,REAR](#)
- 74908N** - [CARPET-REAR FLOOR,CENTER](#)
- 74912V** - [MAT-REAR FLOOR](#)
- 74976** - [SPACER-FRONT FLOOR](#)
- 74976+A** - [SPACER-FRONT FLOOR](#)
- 74977** - [SPACER-FRONT FLOOR](#)
- 74985Q** - [BRACKET-CARPET,FRONT](#)
- 74999** - [CLIP-TRIM](#)
- 74999+A** - [CLIP-TRIM](#)

