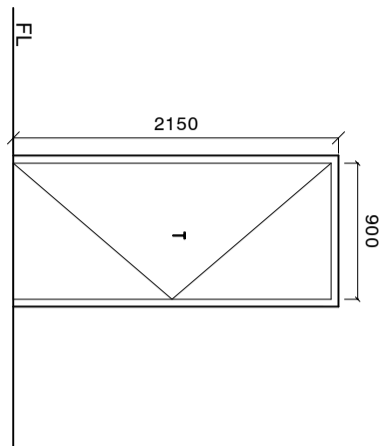
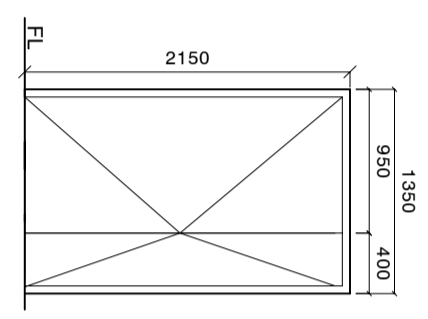
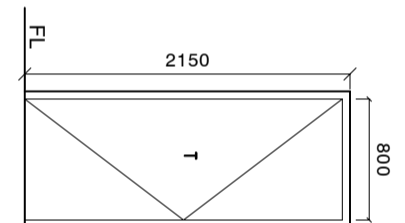
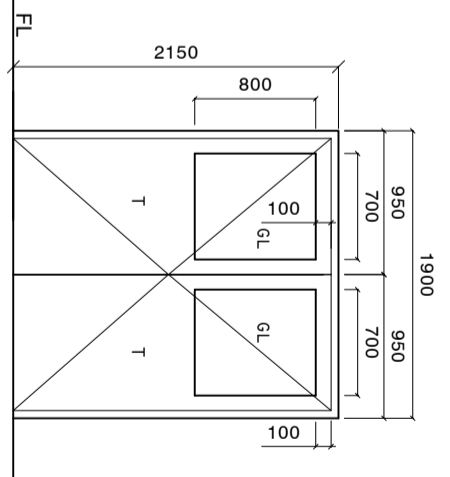
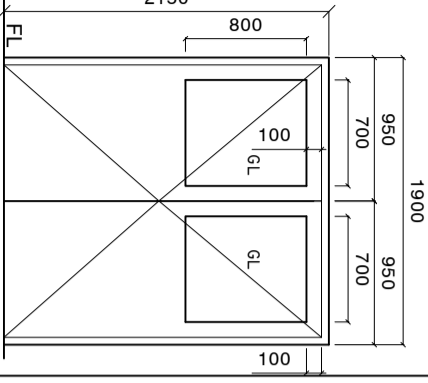
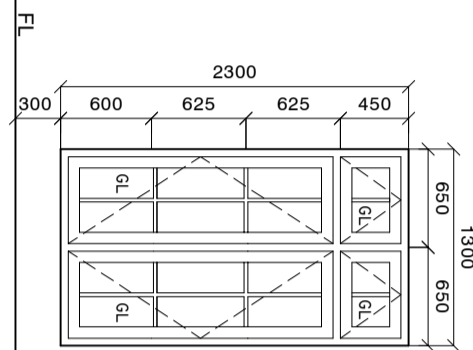
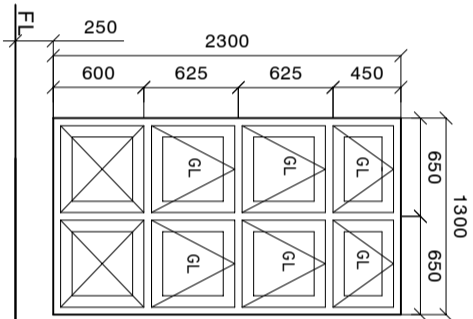
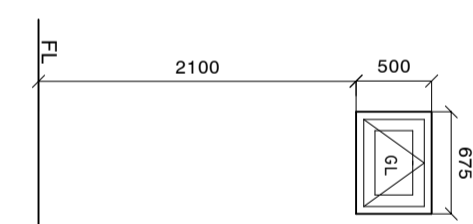
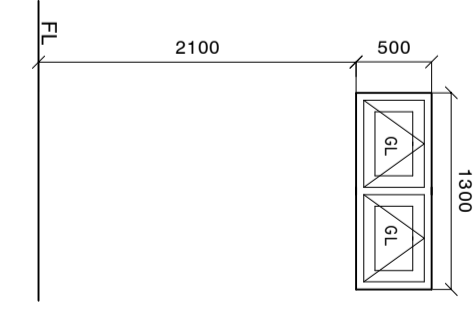


DOORS AND WINDOWS SCHEDULE

Scale 1:50

SYMBOL	D1	D2	D3	D4
ELEVATION				
LOCATION	GROUND FLOOR	GROUND FLOOR	GROUND FLOOR	GROUND FLOOR
QUANTITY	00 NOS	00 NOS	06 NOS	06 NOS
FRAME	SOLID TIMBER FRAME DOOR	SOLID TIMBER FRAME DOOR	SOLID TIMBER FRAME DOOR	SOLID TIMBER FRAME DOOR
PANEL	TIMBER FRAME WITH 6MM PLYWOOD ON BOTH SIDE	TIMBER FRAME WITH 6MM PLYWOOD ON BOTH SIDE	TIMBER FRAME WITH 6MM PLYWOOD ON BOTH SIDE	TIMBER FRAME WITH 6MM PLYWOOD ON BOTH SIDE
FINISH	PAINT FINISH	PAINT FINISH	PAINT FINISH	PAINT FINISH
HINGE	STAINLESS STEEL	STAINLESS STEEL	STAINLESS STEEL	STAINLESS STEEL
LOCK	STATE MAKE	STATE MAKE	STATE MAKE	STATE MAKE
NOTE	ALL MEASUREMENTS TO BE CHECKED ON SITE	ALL MEASUREMENTS TO BE CHECKED ON SITE	ALL MEASUREMENTS TO BE CHECKED ON SITE	ALL MEASUREMENTS TO BE CHECKED ON SITE

SYMBOL	D1	W1	W2	V1	V2
ELEVATION					
LOCATION	GROUND FLOOR	GROUND FLOOR	GROUND FLOOR	GROUND FLOOR	GROUND FLOOR
QUANTITY	01 NOS	00 NOS	00 NOS	00 NOS	00 NOS
FRAME	ALUMINIUM FRAME DOOR	ALUMINIUM FRAME DOOR	ALUMINIUM FRAME DOOR	ALUMINIUM FRAME DOOR	ALUMINIUM FRAME DOOR
PANEL	ALUMINIUM 60-80 MICRON POWDER COATING	ALUMINIUM 60-80 MICRON POWDER COATING	ALUMINIUM 60-80 MICRON POWDER COATING	ALUMINIUM 60-80 MICRON POWDER COATING	ALUMINIUM 60-80 MICRON POWDER COATING
FINISH	ALUMINIUM IN 60-80 MICRON POWDER COATING	ALUMINIUM IN 60-80 MICRON POWDER COATING	ALUMINIUM IN 60-80 MICRON POWDER COATING	ALUMINIUM IN 60-80 MICRON POWDER COATING	ALUMINIUM IN 60-80 MICRON POWDER COATING
HINGE	STAINLESS STEEL	STAINLESS STEEL	STAINLESS STEEL	STAINLESS STEEL	STAINLESS STEEL
LOCK	STATE MAKE	STATE MAKE	STATE MAKE	STATE MAKE	STATE MAKE
NOTE	ALL MEASUREMENTS TO BE CHECKED ON SITE	ALL MEASUREMENTS TO BE CHECKED ON SITE	ALL MEASUREMENTS TO BE CHECKED ON SITE	ALL MEASUREMENTS TO BE CHECKED ON SITE	ALL MEASUREMENTS TO BE CHECKED ON SITE

NOTE:

ALL MEASUREMENTS TO BE CHECKED ON SITE BEFORE FABRICATION

GL = 6MM CLEAR GLASS
T = PLYWOOD PANEL.

SHEET CONTENTS :

REVISION NOTES:

PROJECT:
CONSTRUCTION OF OPD
AREA AT N. ATOLL
HOSPITAL.

CLIENT:
MINISTRY OF HEALTH

LOCATION:
N. MANADHOO ISLAND

CONTENTS: AS GIVEN

PROJECT MANAGER:

DESIGNER: ARIZ

CIV/STR. ENGINEER:

SURVEYED BY: -

DRAWN BY: ARIZ

CHECKED BY:

DATE: FEBRUARY 2020

SHEET NO. : /

