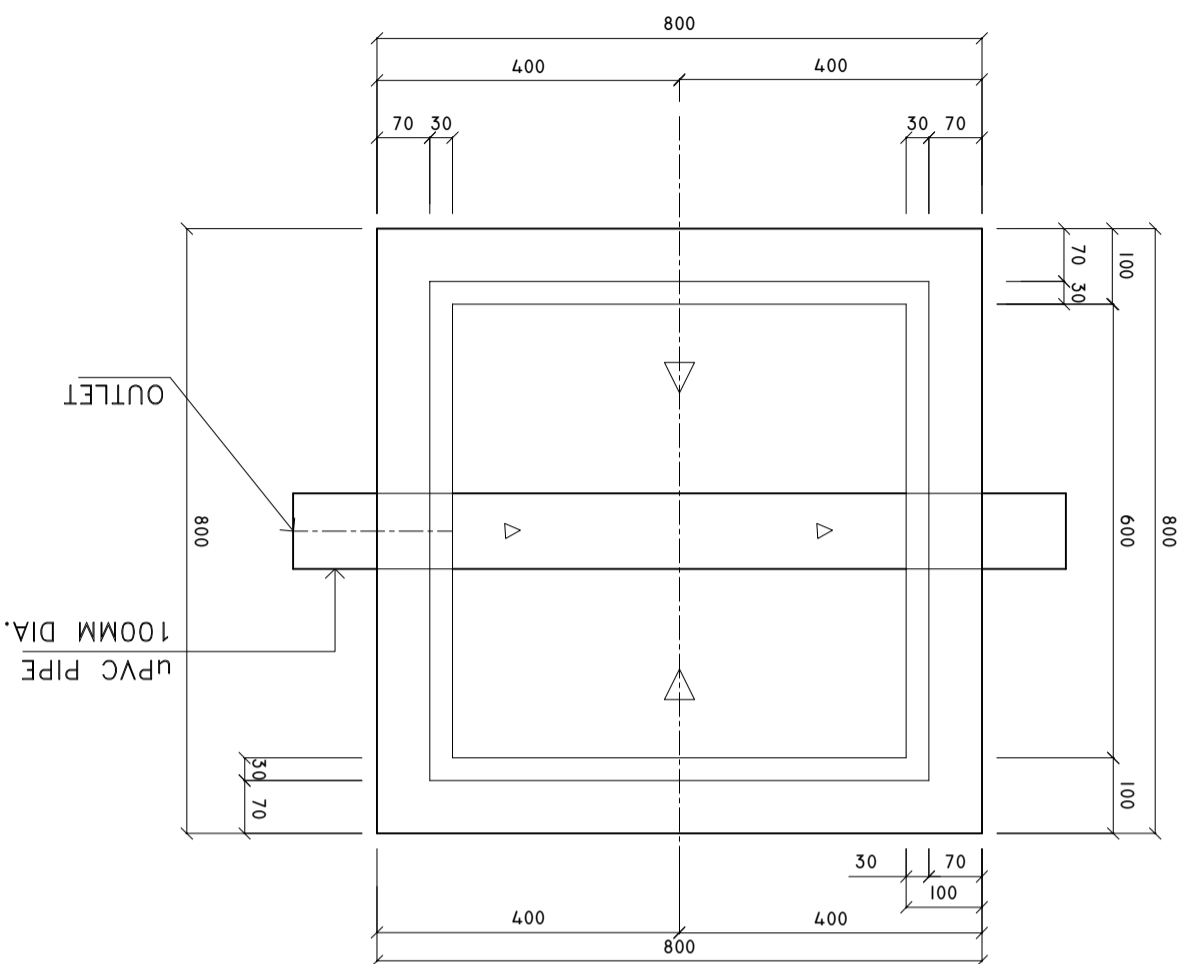


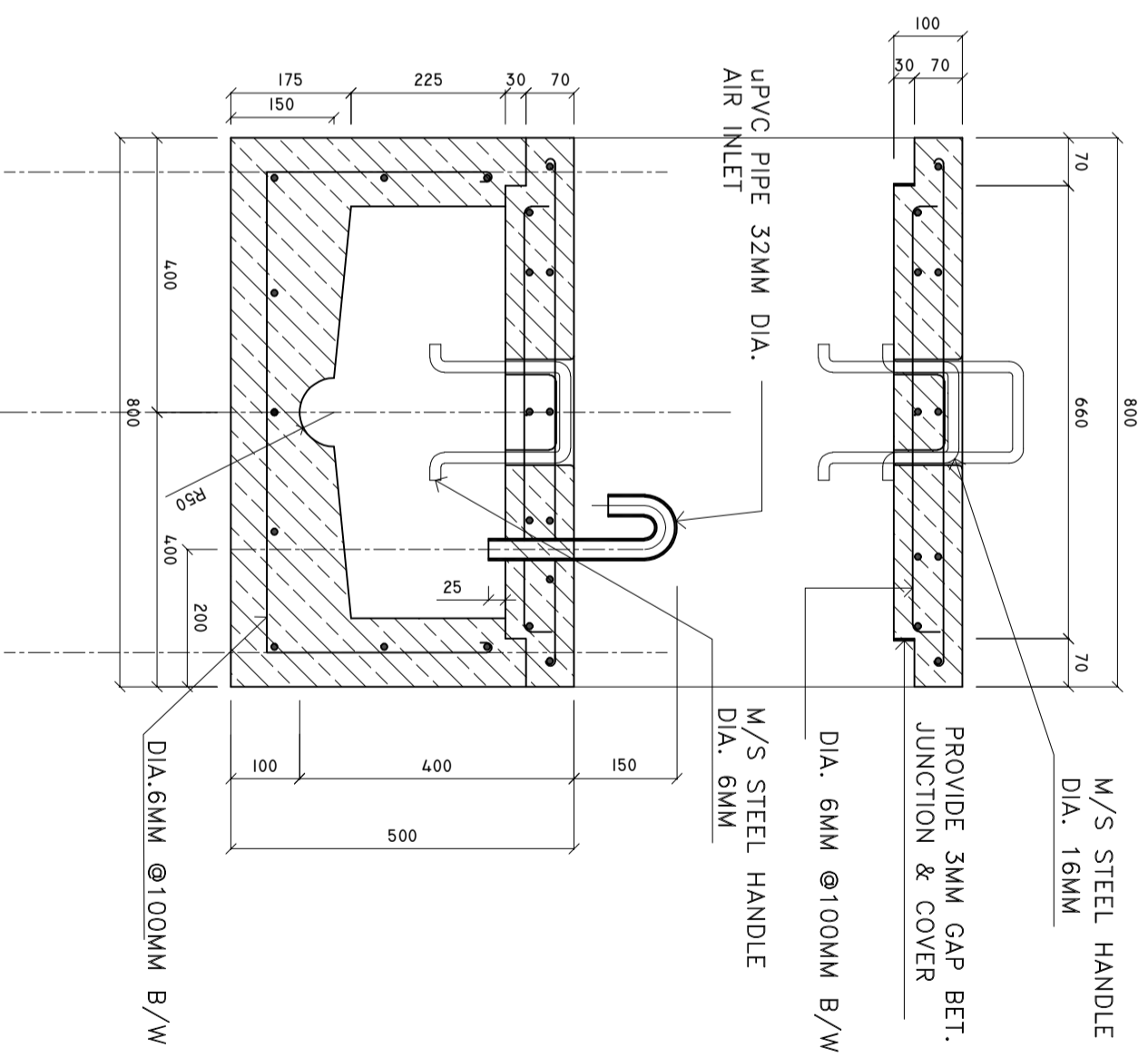
INSPECTION CHAMBER DETAILS FROM TOILET

SCALE : 1 : 10

PLAN



SECTION X-X



SHEET CONTENTS :

REVISION NOTES:

PROJECT:
CONSTRUCTION OF OPD
AREA AT N. ATOLL
HOSPITAL.

CLIENT:
MINISTRY OF HEALTH

LOCATION:
N. MANADHOO ISLAND

CONTENTS: AS GIVEN

PROJECT MANAGER:
DESIGNER: ARIZ
CIV/STR. ENGINEER:
SURVEYED BY: -
DRAWN BY: ARIZ
CHECKED BY:
DATE : FEBRUARY 2020
SHEET NO. : /

